

US00D760666S

(12) **United States Design Patent**
Krein et al.

(10) **Patent No.:** **US D760,666 S**

(45) **Date of Patent:** **** Jul. 5, 2016**

(54) **ELECTRICAL OUTLET BOX**
(71) Applicant: **The Board of Trustees of the University of Illinois, Urbana, IL (US)**

(72) Inventors: **Philip Krein, Champaign, IL (US); Timothy Newman, Mahomet, IL (US)**

(73) Assignee: **The Board of Trustees of the University of Illinois, Urbana, IL (US)**

(*) Notice: This patent is subject to a terminal disclaimer.

(**) Term: **14 Years**

(21) Appl. No.: **29/466,373**

(22) Filed: **Sep. 6, 2013**

(51) **LOC (10) Cl.** **13-03**

(52) **U.S. Cl.**
USPC **D13/152**

(58) **Field of Classification Search**
USPC D13/152, 156, 154, 139.1-139.8, 162, D13/164, 118, 122, 184, 177, 147, 107, 146, D13/160; 439/535, 536, 620.05; 220/3.2; 174/63, 54, 55, 58; D14/240
See application file for complete search history.

(56) **References Cited**

U.S. PATENT DOCUMENTS

- D365,326 S * 12/1995 Starec et al. D13/146
- D371,113 S * 6/1996 Hubbell et al. D13/160
- D404,715 S * 1/1999 Almond D13/152
- 5,906,287 A * 5/1999 Kohlen 220/3.2
- 6,183,304 B1 * 2/2001 Hollander et al. 439/620.05
- D476,979 S * 7/2003 Dugas et al. D14/240

- D519,930 S * 5/2006 Hull et al. D13/152
- D629,365 S * 12/2010 Garcia De Vicuna D13/152
- D637,556 S * 5/2011 Akahori D13/139.4
- D644,185 S * 8/2011 Hargreaves D13/152
- 8,569,619 B2 * 10/2013 Gretz 174/63
- D711,329 S * 8/2014 Casagrande D13/156

* cited by examiner

Primary Examiner — Holly Baynham

Assistant Examiner — Rhea Shields

(74) *Attorney, Agent, or Firm* — Greer, Burns & Crain, Ltd.

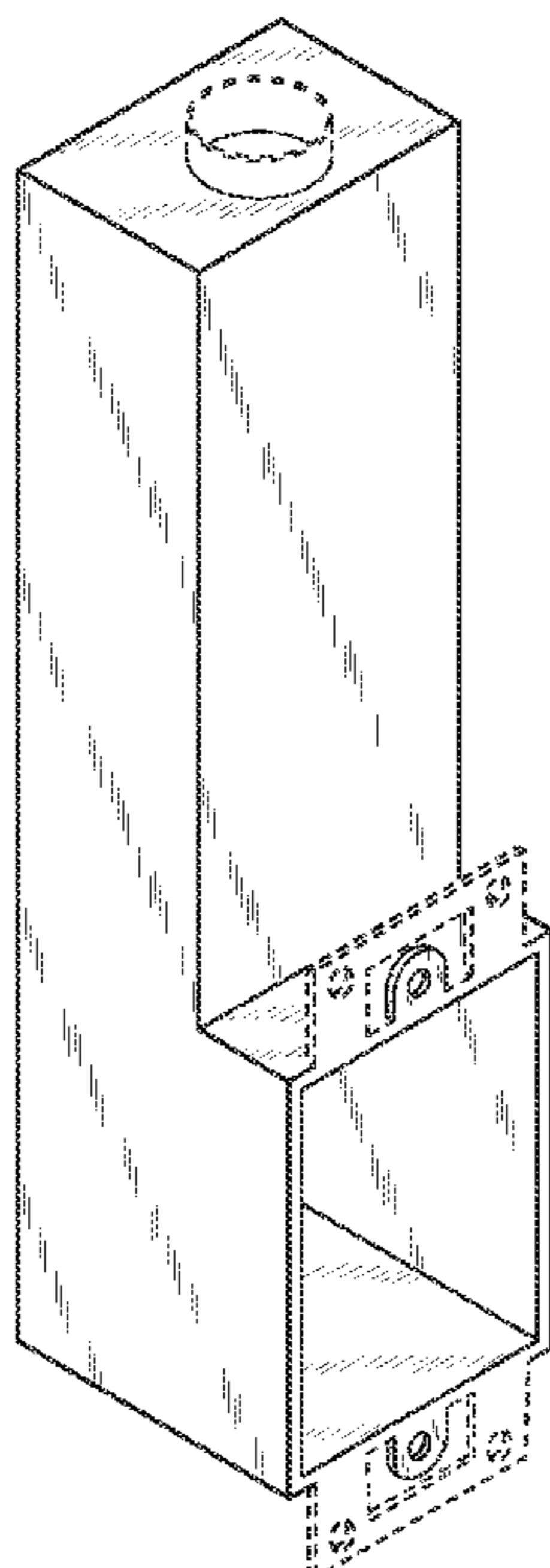
(57) **CLAIM**

The ornamental design for an electrical outlet box, as shown and described.

DESCRIPTION

FIG. 1 is a perspective view of an electrical outlet box showing our new design;
 FIG. 2 is a front view of the electrical outlet box shown in FIG. 1;
 FIG. 3 is a bottom view of the electrical outlet box shown in FIG. 1;
 FIG. 4 is a top view of the electrical outlet box shown in FIG. 1;
 FIG. 5 is a right side view of electrical the outlet box shown in FIG. 1;
 FIG. 6 is a rear view of the electrical outlet box shown in FIG. 1; and,
 FIG. 7 is a left side view of the electrical outlet box shown in FIG. 1.
 In the drawings, the broken lines are for the purpose of illustrating environment only and form no part of the claimed design.

1 Claim, 2 Drawing Sheets



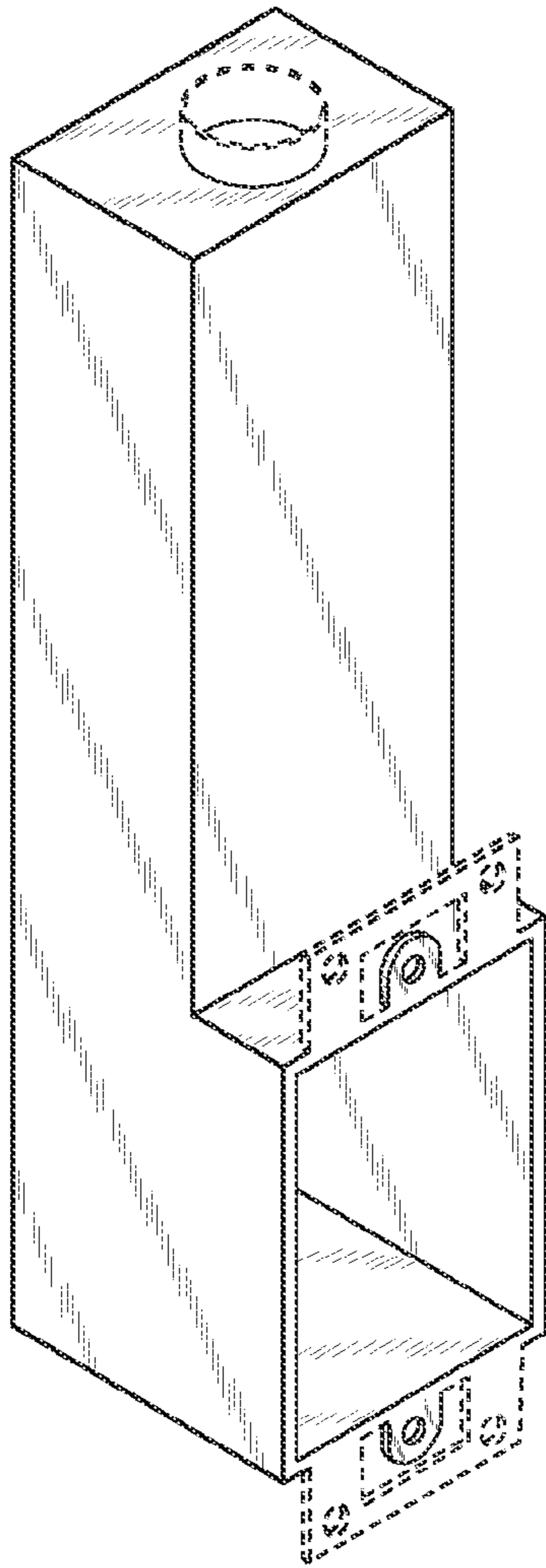


FIG. 1

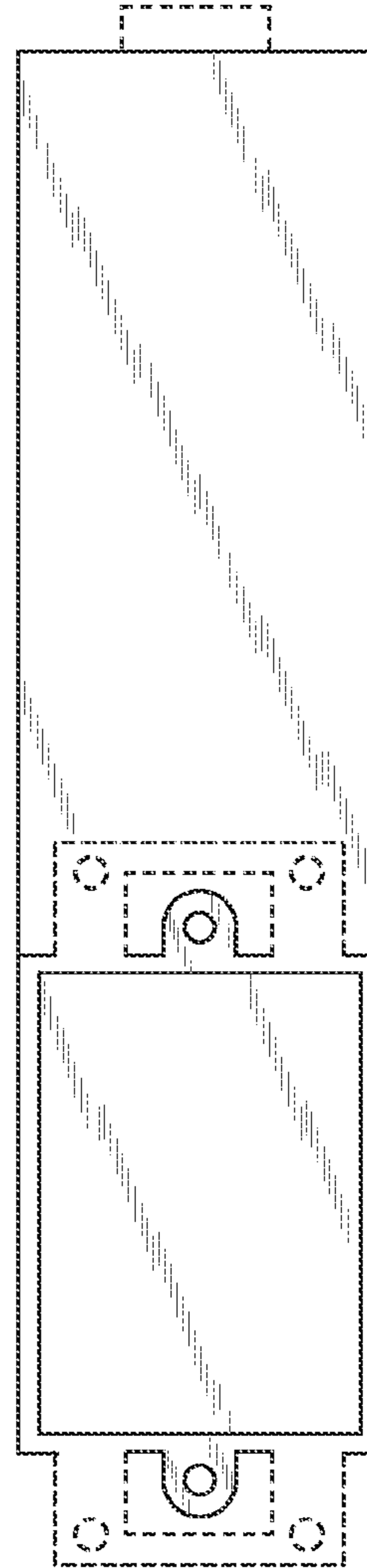


FIG. 2

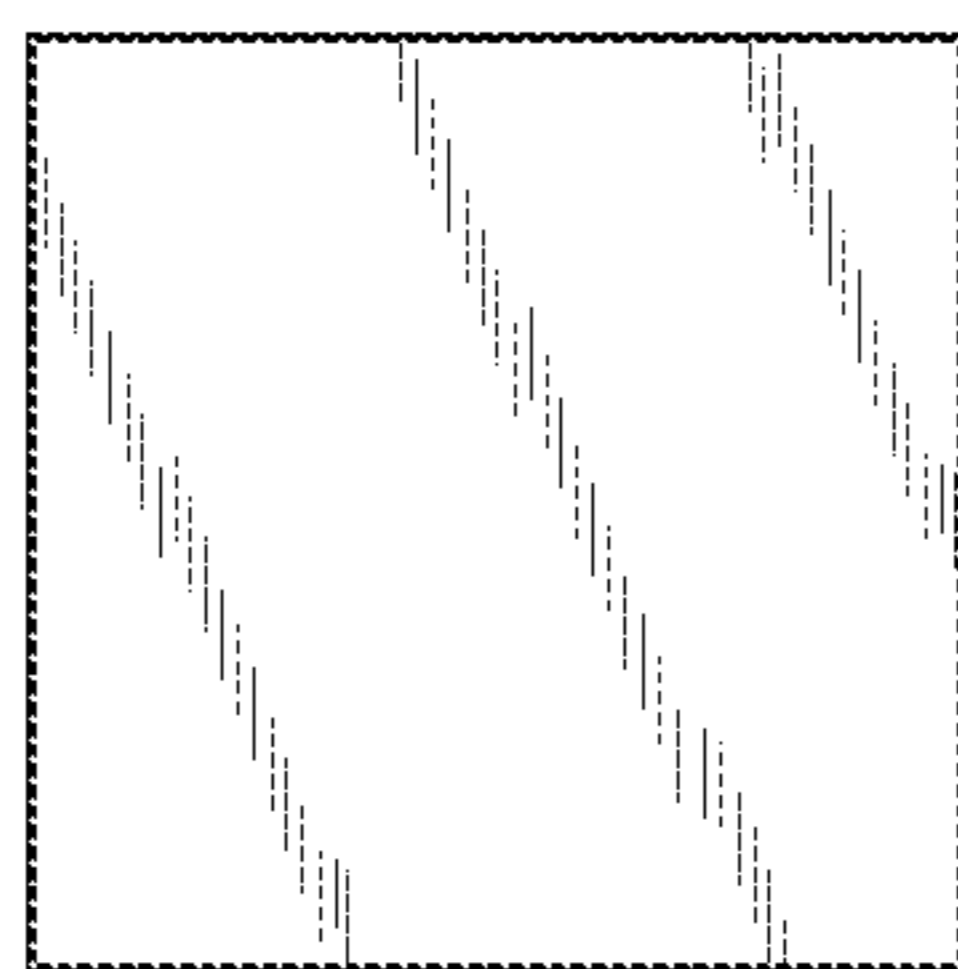


FIG. 3

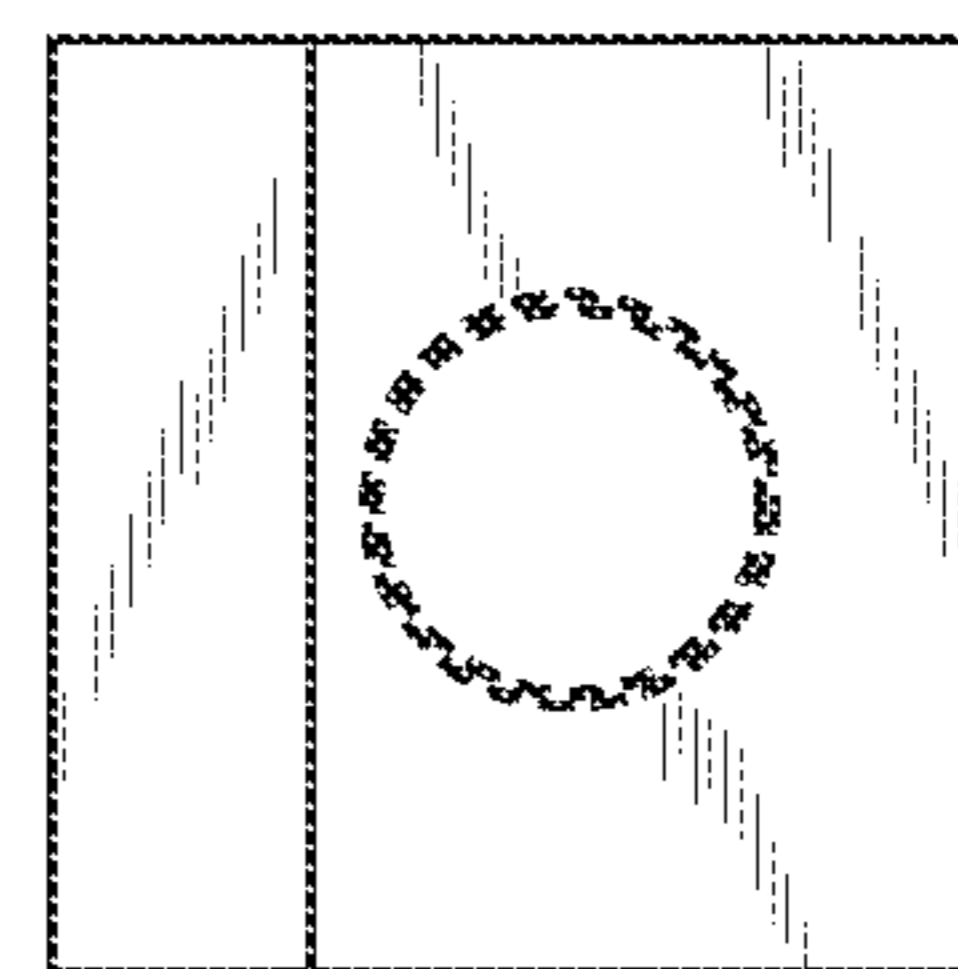


FIG. 4

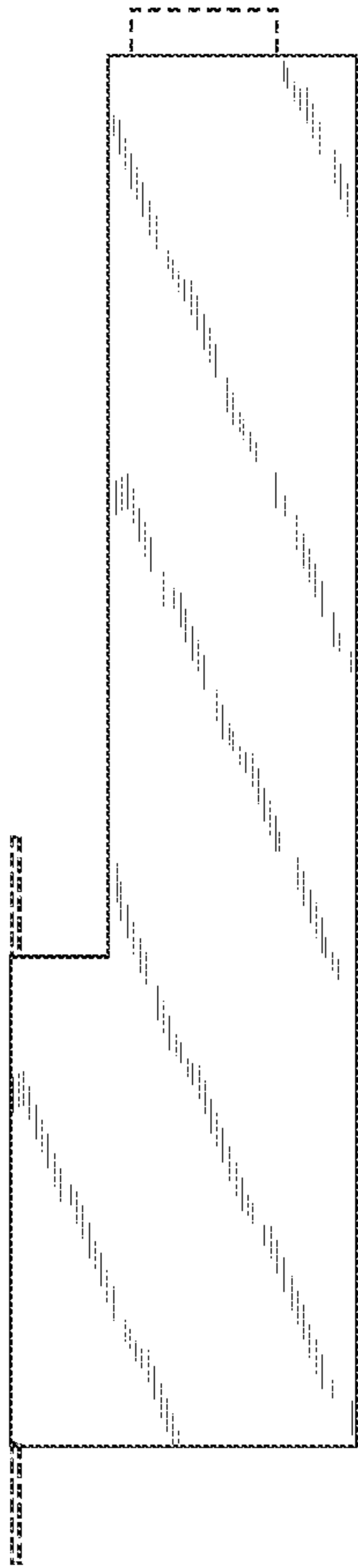


FIG. 5

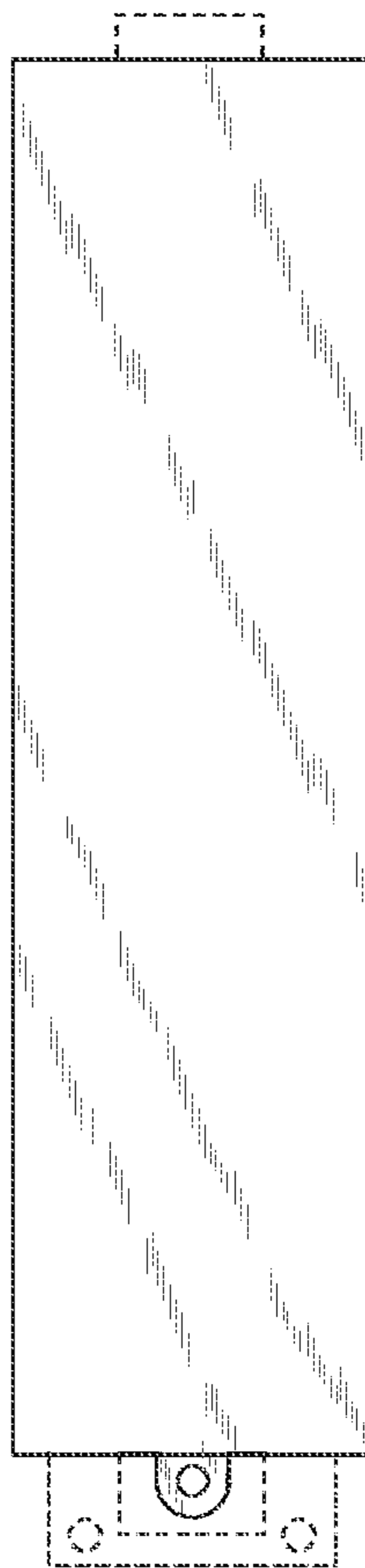


FIG. 6

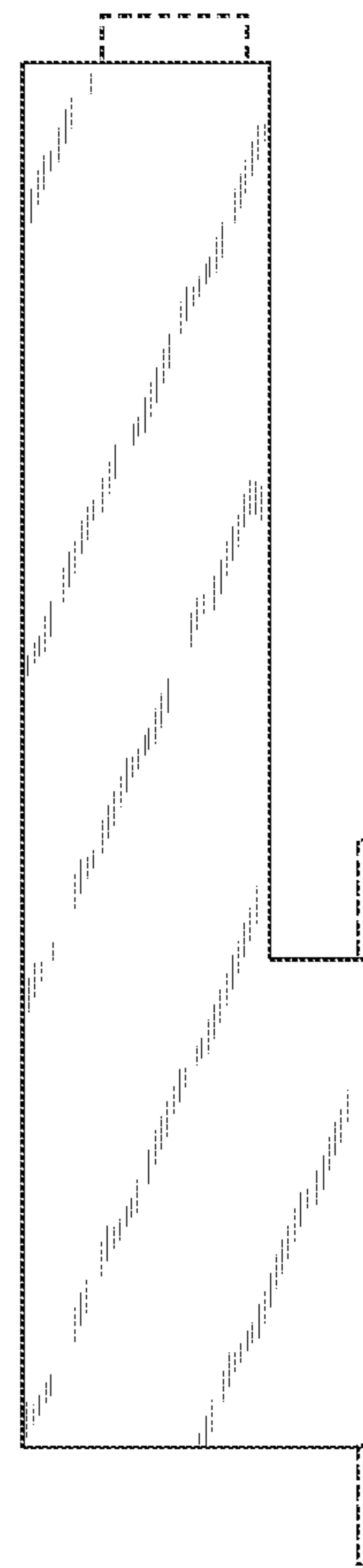


FIG. 7