

US00D760661S

(12) **United States Design Patent**
Murphy et al.

(10) **Patent No.:** **US D760,661 S**

(45) **Date of Patent:** **** Jul. 5, 2016**

(54) **BUSBAR**

(71) Applicant: **General Electric Company,**
Schenectady, NY (US)

(72) Inventors: **Mark Allen Murphy,** Erie, PA (US);
Jason Daniel Kuttenkuler, Erie, PA
(US); **Sean Patrick Cillessen,** Lawrence
Park, PA (US); **Aiqin Jiang,** Shanghai
(CN)

(73) Assignee: **General Electric Company,**
Schenectady, NY (US)

(**) Term: **15 Years**

(21) Appl. No.: **29/542,280**

(22) Filed: **Oct. 13, 2015**

Related U.S. Application Data

(62) Division of application No. 29/510,279, filed on Nov.
26, 2014, now Pat. No. Des. 743,901.

(51) **LOC (10) Cl.** **13-03**

(52) **U.S. Cl.**
USPC **D13/147; D13/154**

(58) **Field of Classification Search**
USPC **D13/146, 147, 154, 184, 199**
See application file for complete search history.

(56) **References Cited**

U.S. PATENT DOCUMENTS

D317,434 S	6/1991	McGrane	
D743,341 S *	11/2015	Jiang	D13/147
D743,897 S *	11/2015	Krivosnak	D13/147
D743,901 S *	11/2015	Murphy	D13/147
2010/0000089 A1	1/2010	Yang et al.	
2011/0235276 A1 *	9/2011	Hentschel	H01L 23/473 361/699
2012/0020036 A1	1/2012	Matsumoto	
2012/0217032 A1	8/2012	Beaupre et al.	
2014/0111959 A1	4/2014	Li et al.	

* cited by examiner

Primary Examiner — Daniel Bui

(74) *Attorney, Agent, or Firm* — GE Global Patent Operation

(57) **CLAIM**

The ornamental design for a busbar, as shown and described.

DESCRIPTION

FIG. 1 is a perspective view of a busbar showing our new design;

FIG. 2 is a top plan view thereof;

FIG. 3 is a bottom plan view thereof;

FIG. 4 is a front view thereof;

FIG. 5 is a rear view thereof;

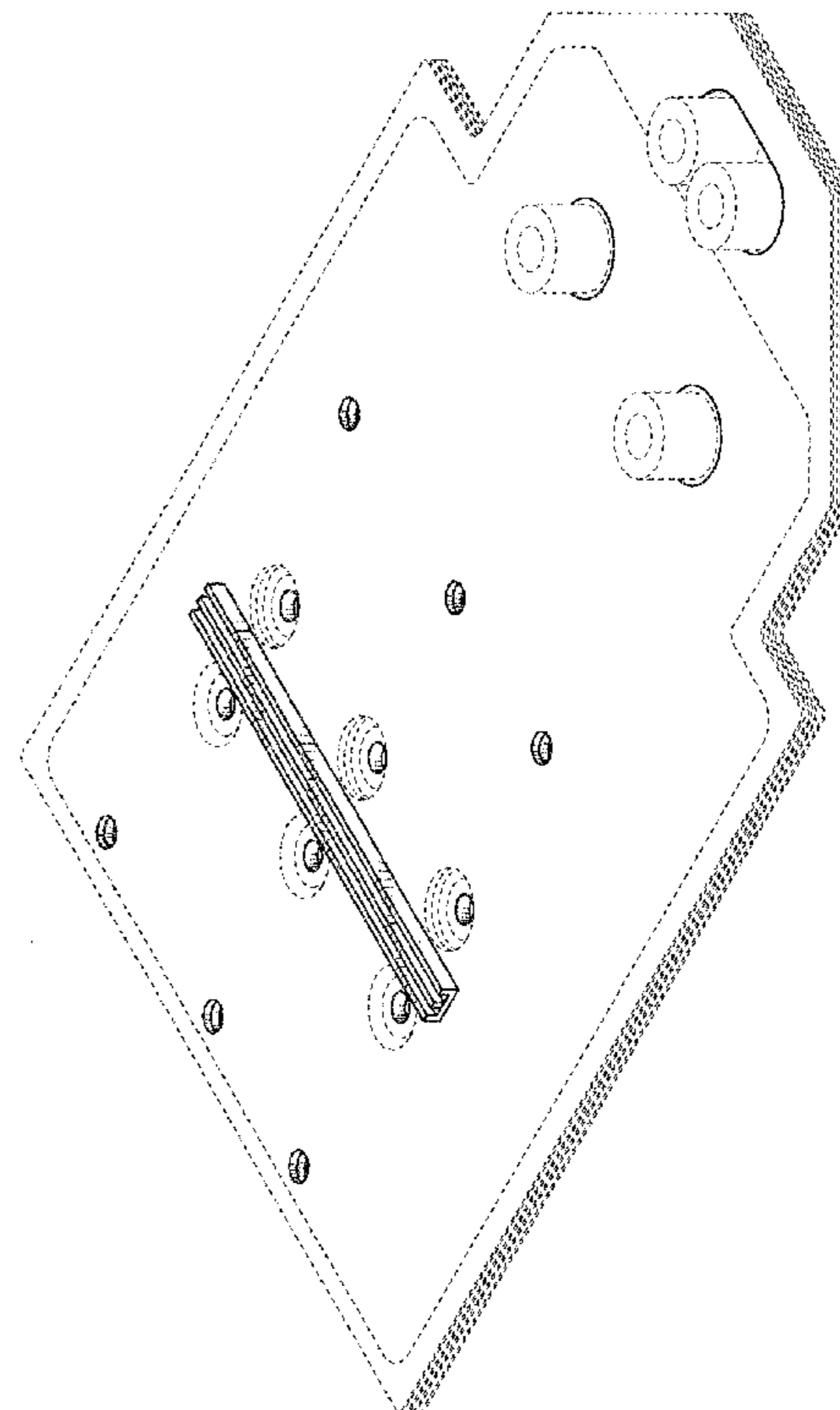
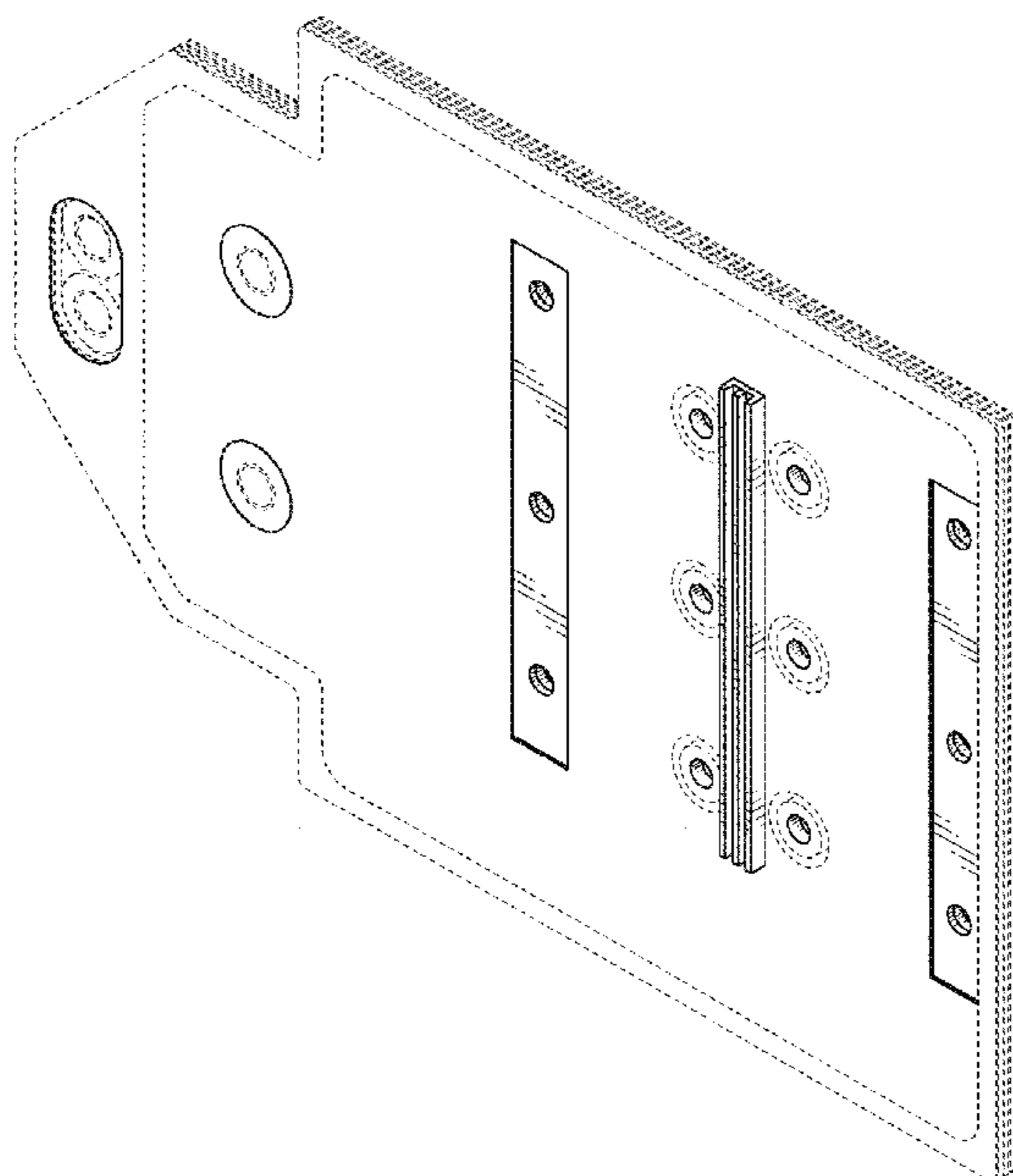
FIG. 6 is a side view thereof;

FIG. 7 is an opposite side view thereof; and,

FIG. 8 is an additional perspective view thereof.

The broken line portion of the figure drawings is included to show unclaimed subject matter only and forms no part of the claimed designs.

1 Claim, 5 Drawing Sheets



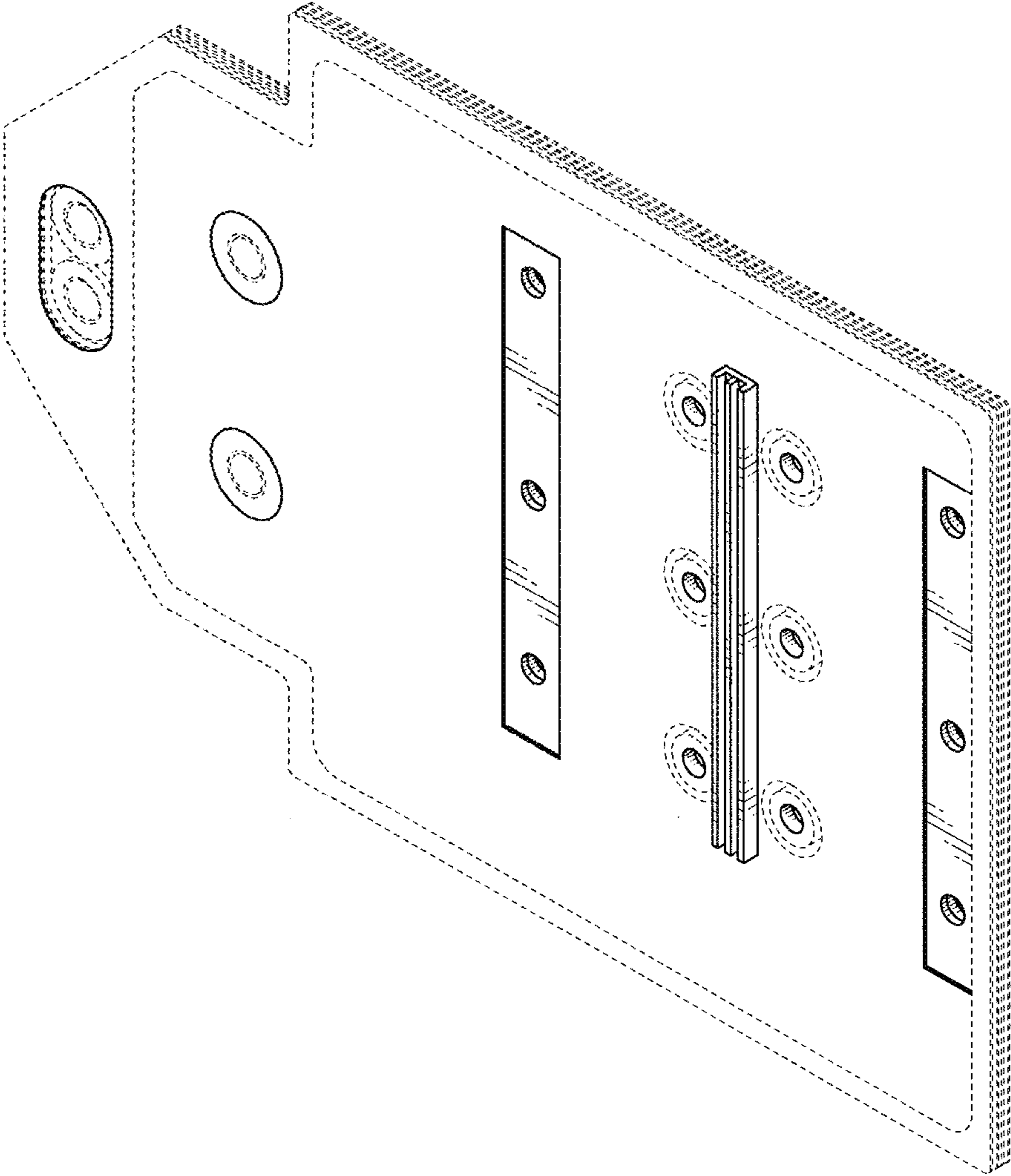


FIG. 1

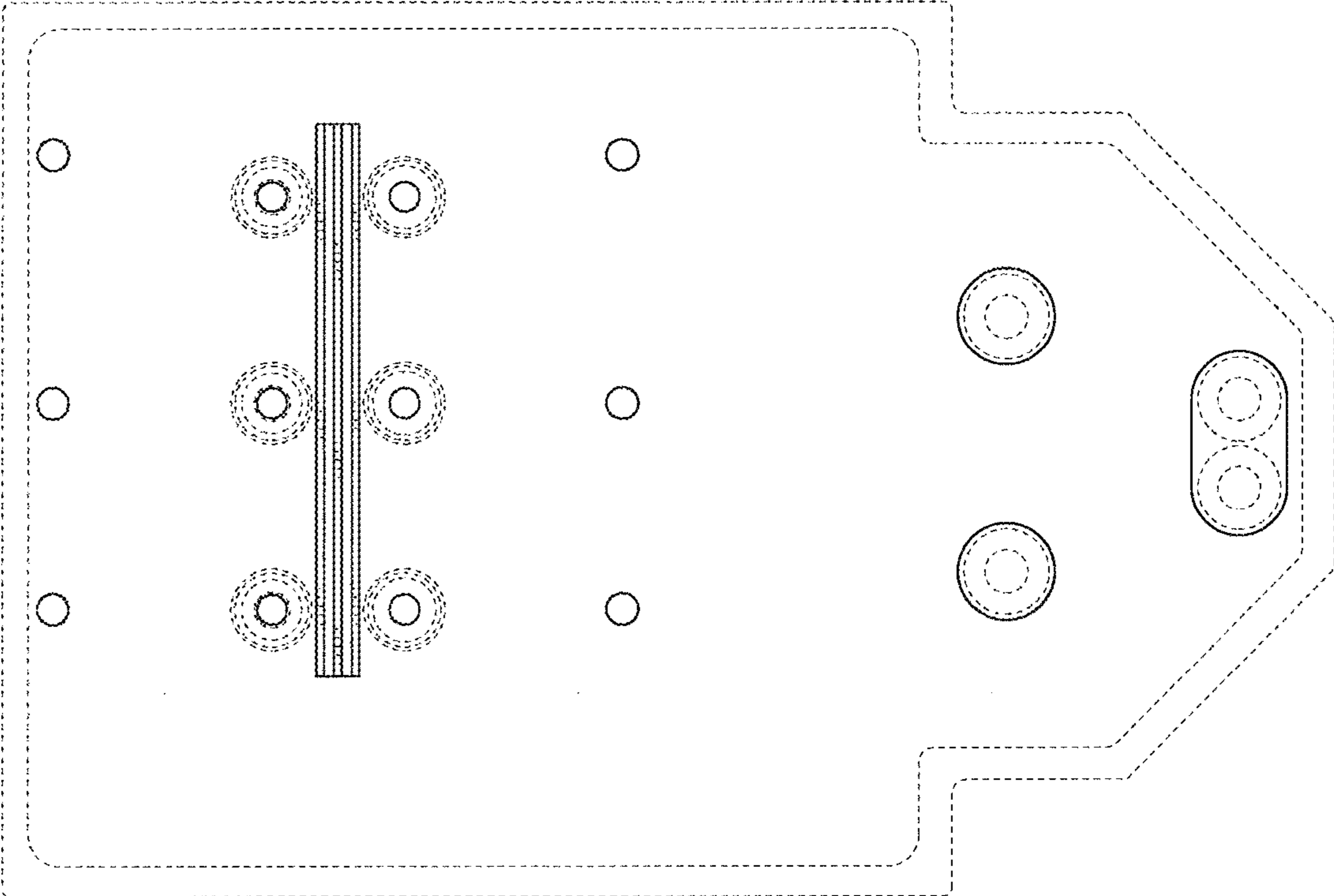


FIG. 2

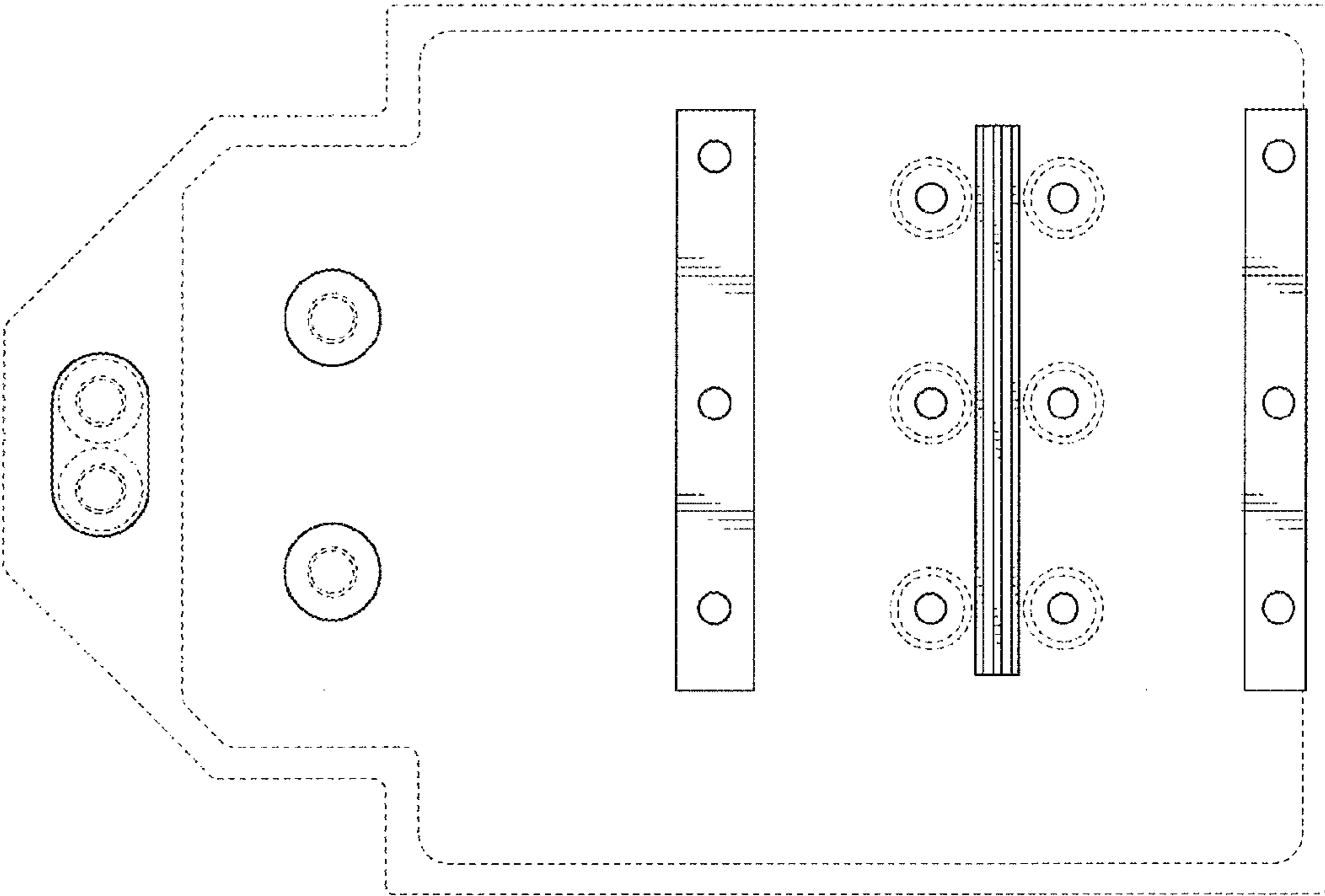


FIG. 3

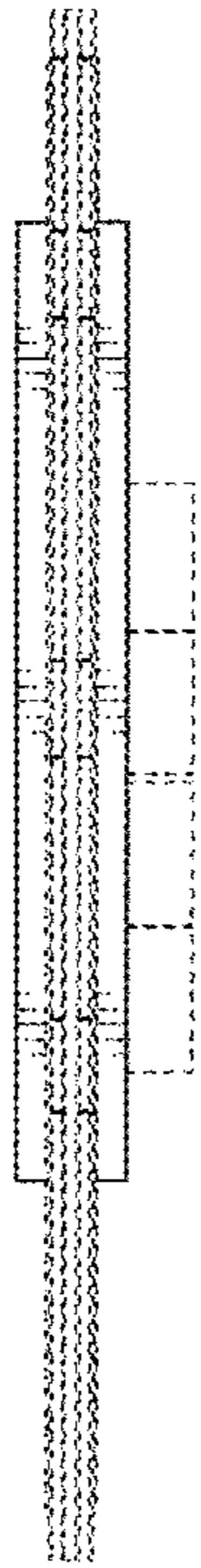


FIG. 4



FIG. 5

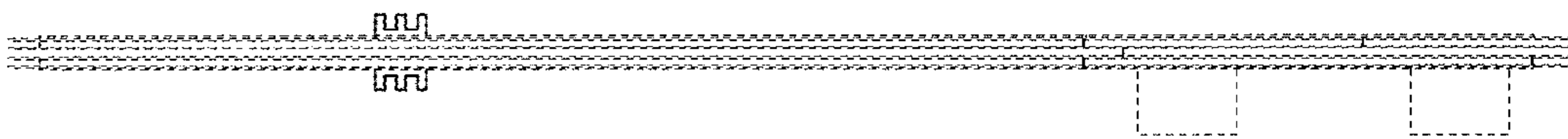


FIG. 6

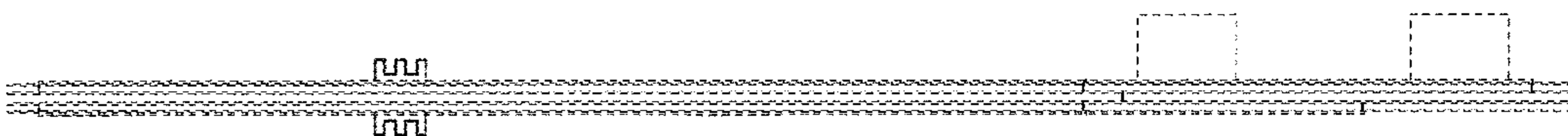


FIG. 7

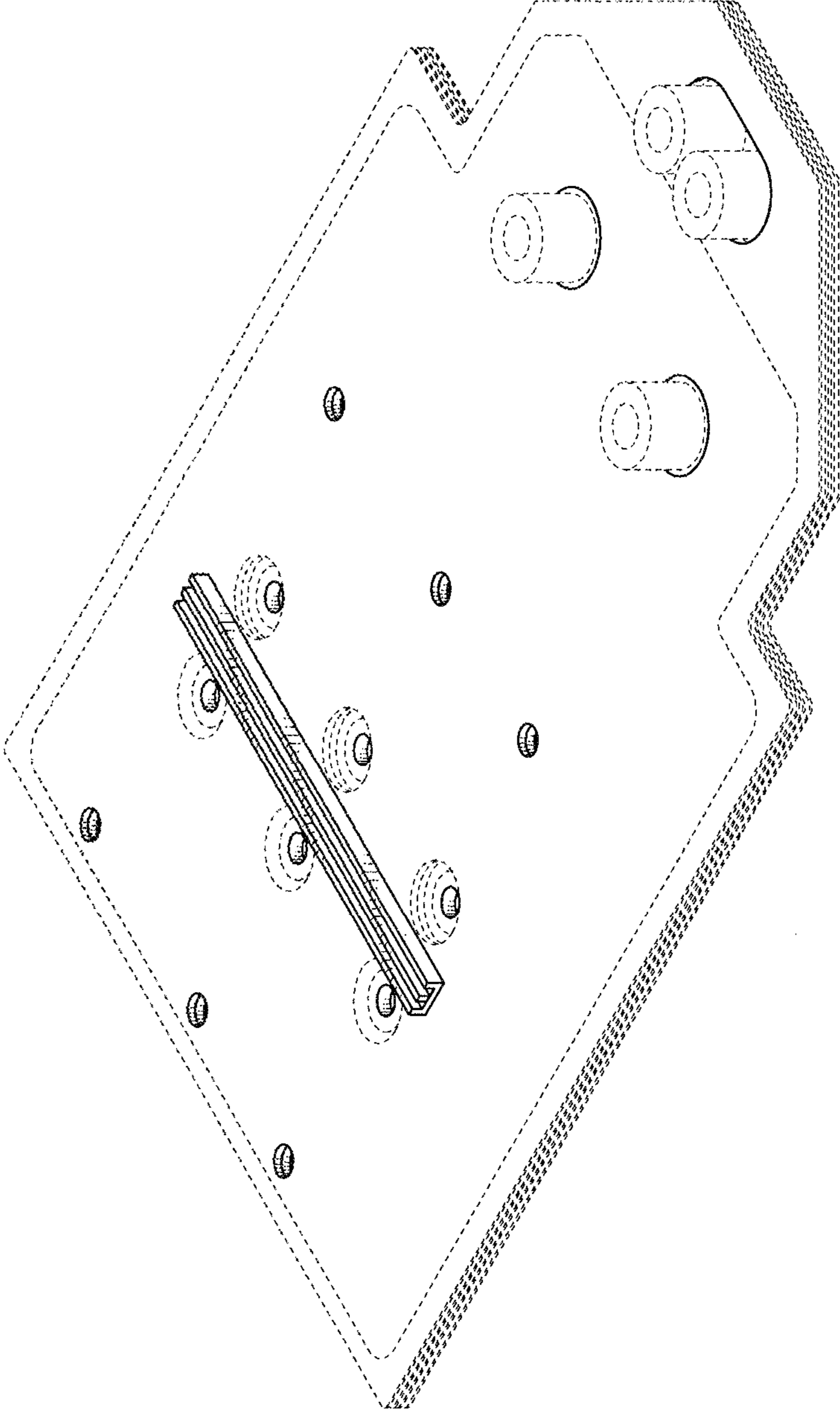


FIG. 8