



US00D760659S

(12) **United States Design Patent**  
**Takemoto**

(10) **Patent No.:** **US D760,659 S**

(45) **Date of Patent:** **\*\* Jul. 5, 2016**

(54) **ELECTRICAL CONNECTOR**

(56) **References Cited**

(71) Applicant: **DAIICHI-SEIKO Co., Ltd.**, Kyoto (JP)

U.S. PATENT DOCUMENTS

(72) Inventor: **Masatoshi Takemoto**, Tokyo (JP)

D539,226 S *	3/2007	Yamada .....	D13/147
D540,263 S *	4/2007	Kishi .....	D13/147
D598,863 S *	8/2009	Hoshino .....	D13/147
D603,799 S *	11/2009	Obikane .....	D13/147
D722,295 S *	2/2015	Miyazaki .....	D13/147

(73) Assignee: **DAIICHI-SEIKO CO., LTD.**, Kyoto  
(JP)

\* cited by examiner

(\*\*) Term: **14 Years**

*Primary Examiner* — Daniel Bui

(21) Appl. No.: **29/526,428**

(74) *Attorney, Agent, or Firm* — K&L Gates, LLP; Louis Cullman; Georgia Kefallinos

(22) Filed: **May 8, 2015**

(57) **CLAIM**

The ornamental design for an electrical connector, as shown and described.

(30) **Foreign Application Priority Data**

**DESCRIPTION**

Nov. 11, 2014 (JP) ..... 2014-025126

(51) **LOC (10) Cl.** ..... **13-03**

(52) **U.S. Cl.**  
USPC ..... **D13/147**

(58) **Field of Classification Search**  
USPC ..... D13/118, 120, 133, 146, 147, 154, 184,  
D13/199

FIG. 1 is a front elevation view of an electrical connector showing my design;

FIG. 2 is a back elevation view thereof;

FIG. 3 is a first side elevation view thereof;

FIG. 4 is a second side elevation view thereof;

FIG. 5 is a top plan view thereof;

FIG. 6 is a bottom plan view thereof;

FIG. 7 is a top perspective view thereof; and,

FIG. 8 is a bottom perspective view thereof.

See application file for complete search history.

**1 Claim, 4 Drawing Sheets**

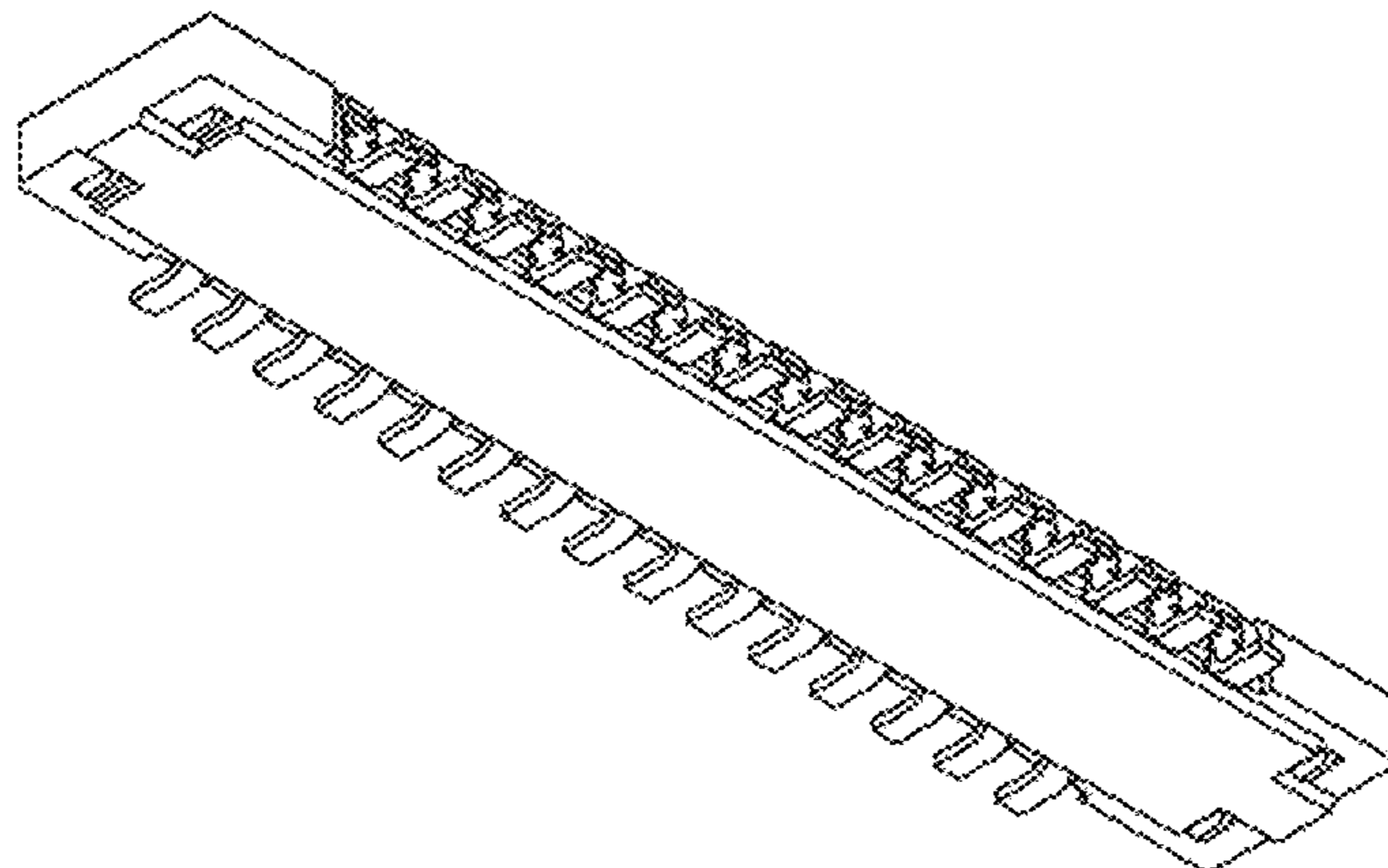
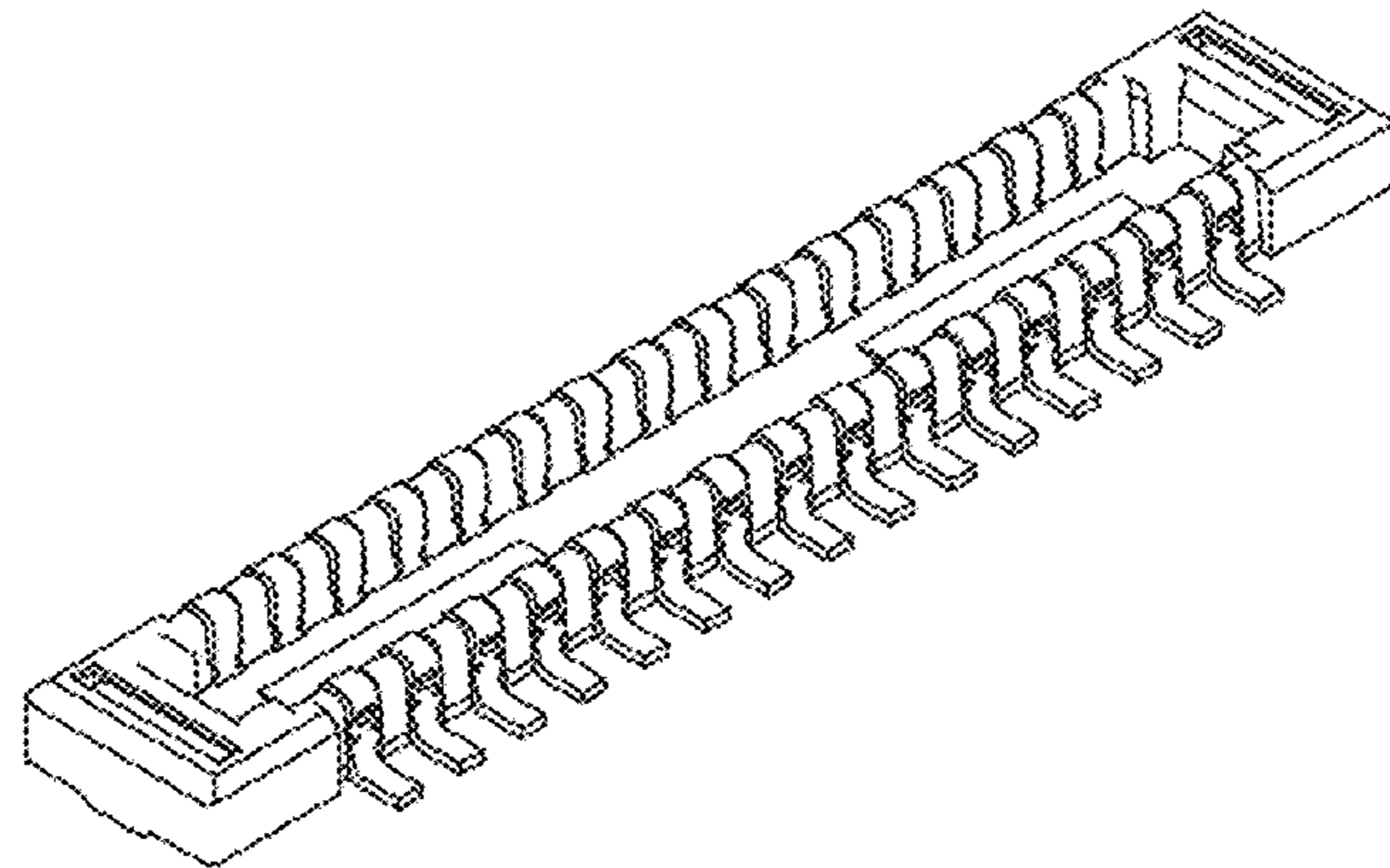


FIG. 1



FIG. 2



*FIG. 3*



*FIG. 4*

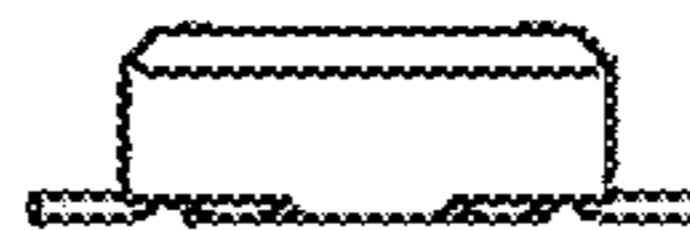


FIG. 5

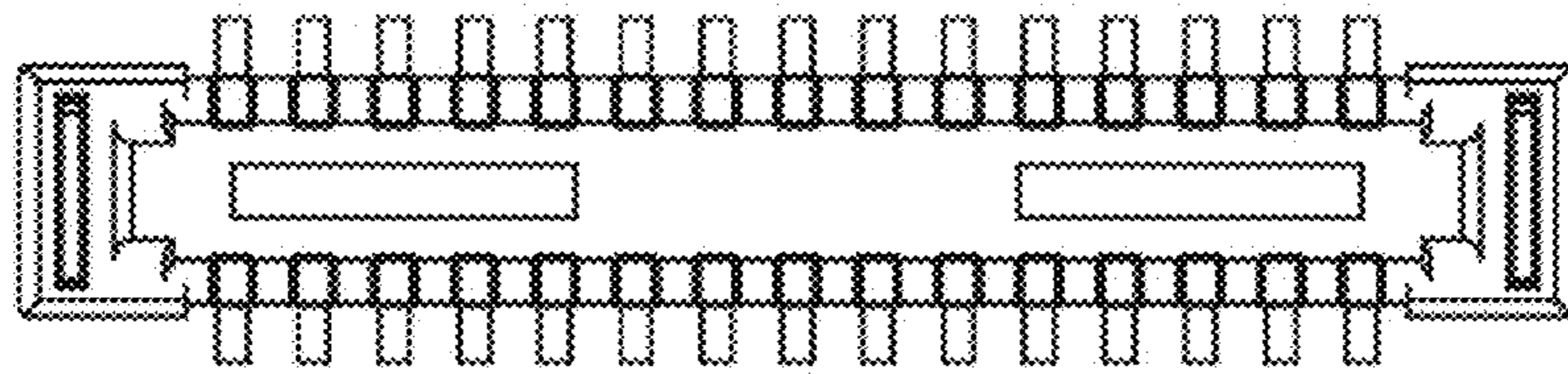


FIG. 6

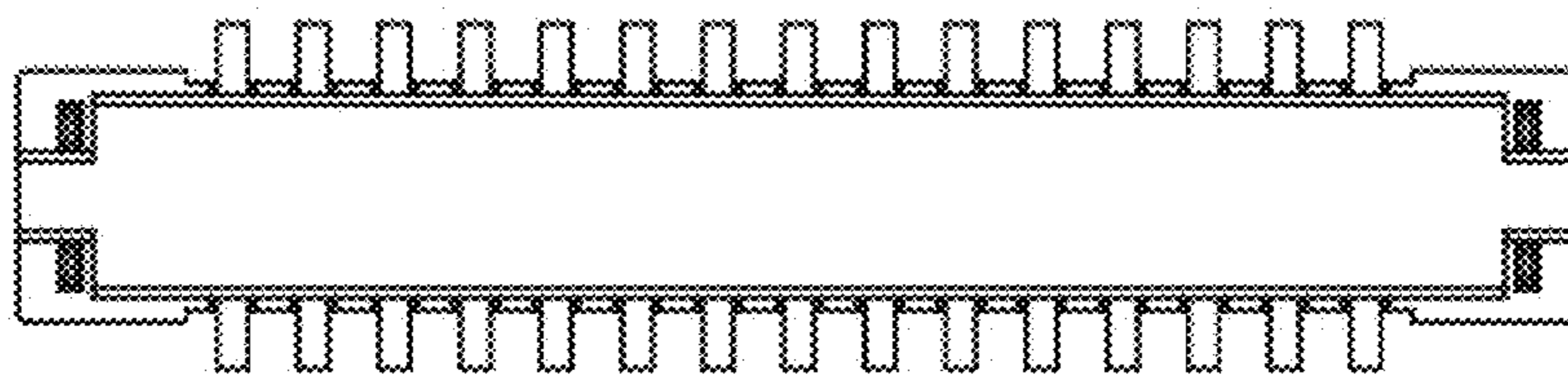


FIG. 7

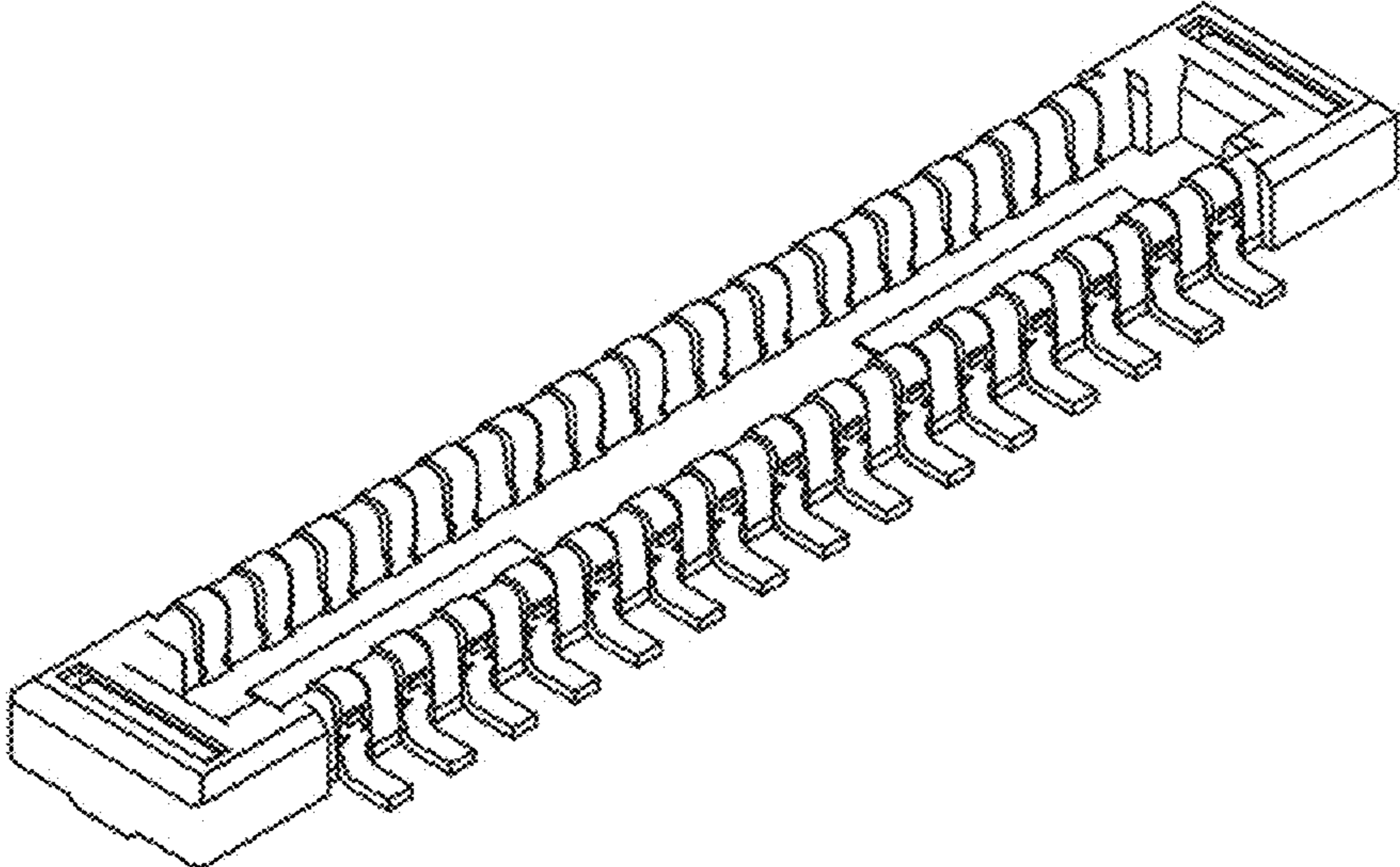


FIG. 8

