

US00D760658S

(12) **United States Design Patent**
Perlaguri et al.

(10) **Patent No.:** **US D760,658 S**
(45) **Date of Patent:** **** Jul. 5, 2016**

(54) **BUSBAR**

(71) Applicant: **General Electric Company,**
Schenectady, NY (US)

(72) Inventors: **Shreenath Shekar Perlaguri,** Bangalore (IN); **Sarit Ratadiya,** Bangalore (IN); **Mark Allen Murphy,** Erie, PA (US); **Jain Raj Vettuvazhy Puthenpurayil,** Bangalore (IN); **Jacob Alan Hubbell,** Erie, PA (US)

(73) Assignee: **General Electric Company,**
Schenectady, NY (US)

(**) Term: **14 Years**

(21) Appl. No.: **29/524,303**

(22) Filed: **Apr. 20, 2015**

(51) **LOC (10) Cl.** **13-03**

(52) **U.S. Cl.**
USPC **D13/147; D13/154**

(58) **Field of Classification Search**
USPC **D13/146, 147, 154, 184, 199**
See application file for complete search history.

(56) **References Cited**

U.S. PATENT DOCUMENTS

D742,328 S * 11/2015 Murphy D13/147
D743,896 S * 11/2015 Murphy D13/147

(Continued)

Primary Examiner — Daniel Bui

(74) *Attorney, Agent, or Firm* — GE Global Patent Operation

(57) **CLAIM**

The ornamental design for a busbar, as shown and described.

DESCRIPTION

FIG. 1 is a perspective view of a busbar showing our new design;

FIG. 2 is a front view thereof;

FIG. 3 is a first end view thereof;

FIG. 4 is a second end view thereof;

FIG. 5 is a first side view thereof;

FIG. 6 is a second side view thereof;

FIG. 7 is a front perspective view thereof;

FIG. 8 is a front perspective view depicting a second embodiment of a new design;

FIG. 9 is a front view thereof;

FIG. 10 is a first end view thereof;

FIG. 11 is a second end view thereof;

FIG. 12 is a first side view thereof;

FIG. 13 is a second side view thereof;

FIG. 14 is a rear view thereof;

FIG. 15 is a front perspective view depicting a third embodiment of a new design;

FIG. 16 is a front view thereof;

FIG. 17 is a first end view thereof;

FIG. 18 is a second end view thereof;

FIG. 19 is a first side view thereof;

FIG. 20 is a second side view thereof;

FIG. 21 is a rear view thereof;

FIG. 22 is a front perspective view depicting a fourth embodiment of a new design;

FIG. 23 is a front view thereof;

FIG. 24 is a rear view thereof;

FIG. 25 is a first end view thereof;

FIG. 26 is a second end view thereof;

FIG. 27 is a first side view thereof;

FIG. 28 is a second side view thereof;

FIG. 29 is a rear perspective view thereof;

FIG. 30 is a front perspective view depicting a fifth embodiment of a new design;

FIG. 31 is a front view thereof;

FIG. 32 is a rear view thereof;

FIG. 33 is a first end view thereof;

FIG. 34 is a second end view thereof;

FIG. 35 is a first side view thereof;

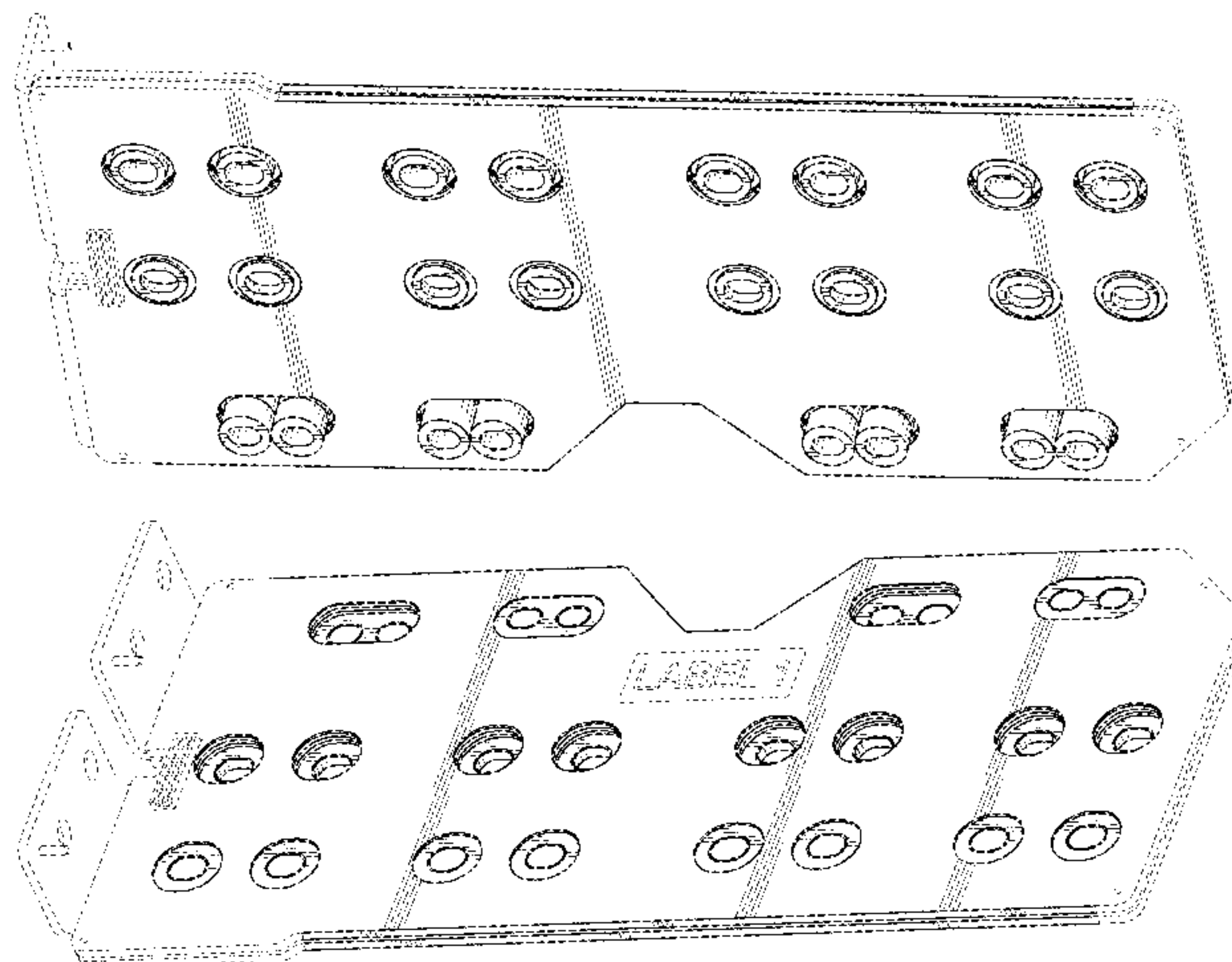
FIG. 36 is a second side view thereof; and,

FIG. 37 is a rear perspective view thereof.

In the drawing views, the claimed surfaces or portions are illustrated in solid, continuous lines, and included shade lines.

The even-broken lines represent unclaimed environment only, and form no part of the claimed design. The dash-dot lines represent the boundary of the claimed design.

1 Claim, 27 Drawing Sheets



US D760,658 S

Page 2

(56)

References Cited

U.S. PATENT DOCUMENTS

2011/0235276 A1*	9/2011	Hentschel	H01L 23/473 361/699
2012/0208410 A1*	8/2012	Ikeda	H01M 2/206 439/883
2011/0151315 A1*	6/2011	Masson	H01M 2/1077 429/159

* cited by examiner

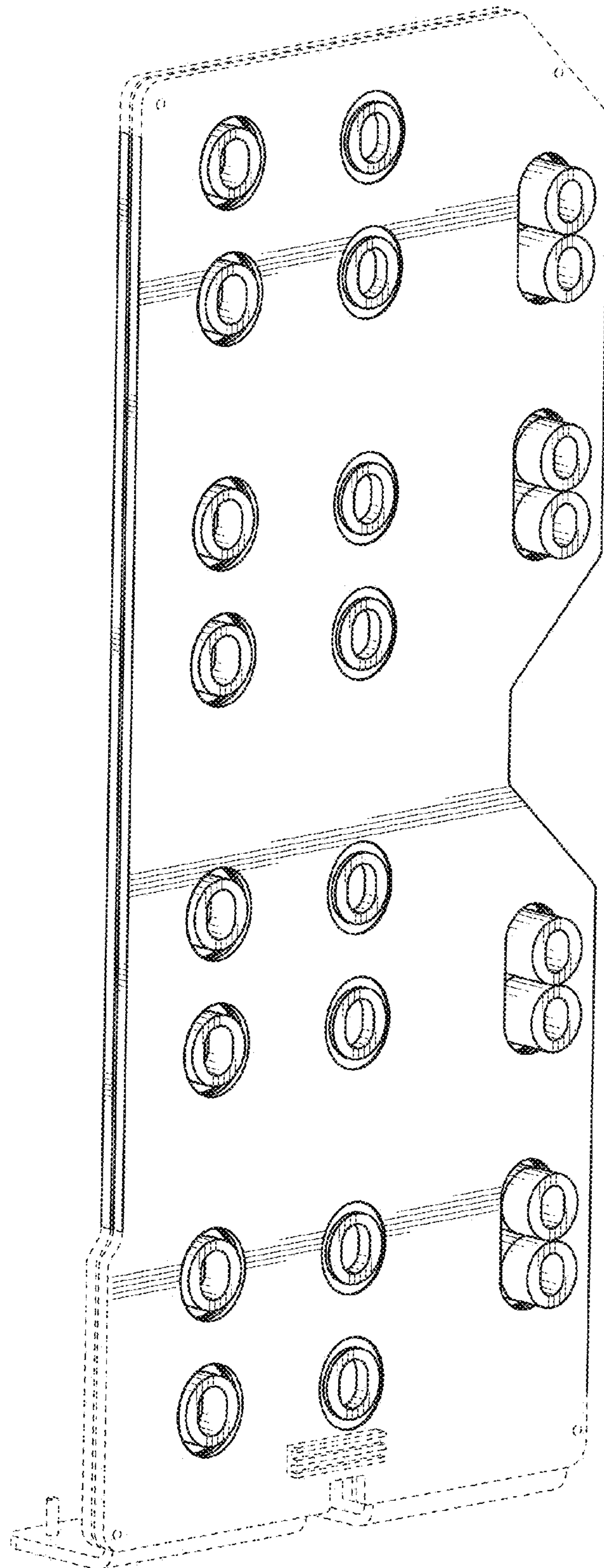
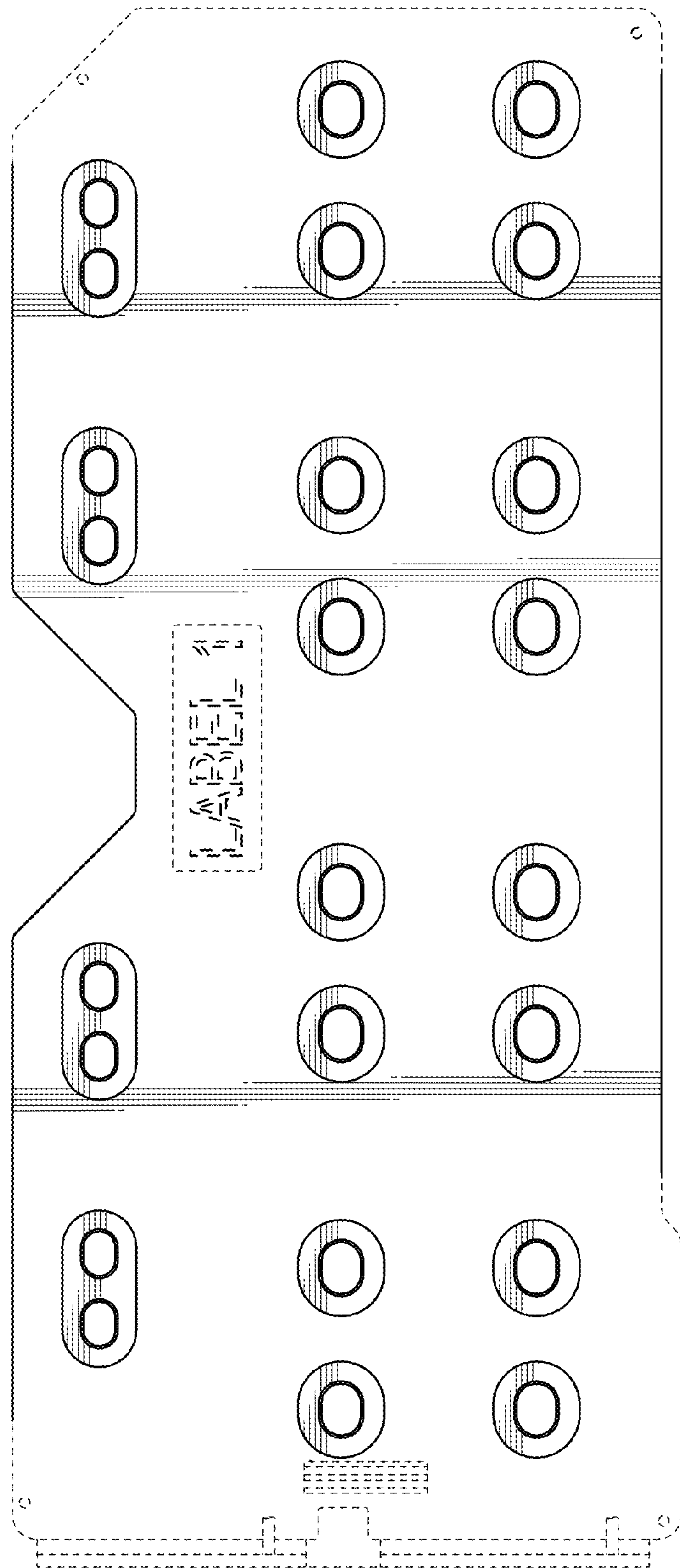


FIG. 1



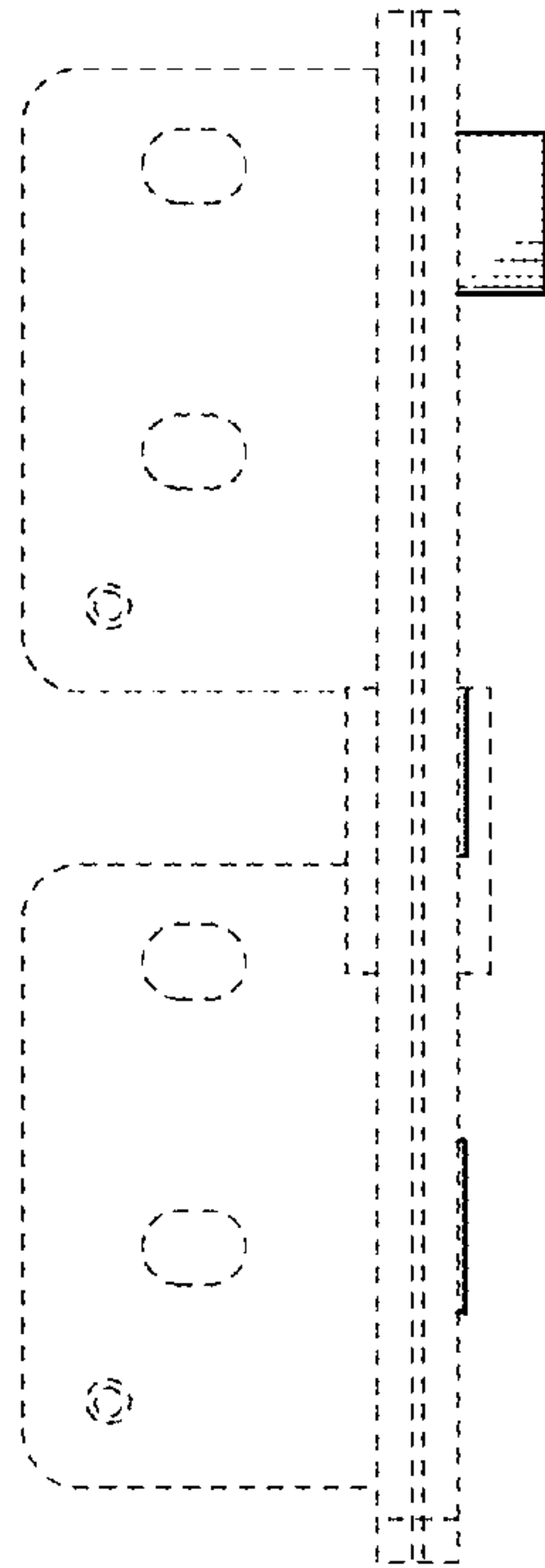


FIG. 3

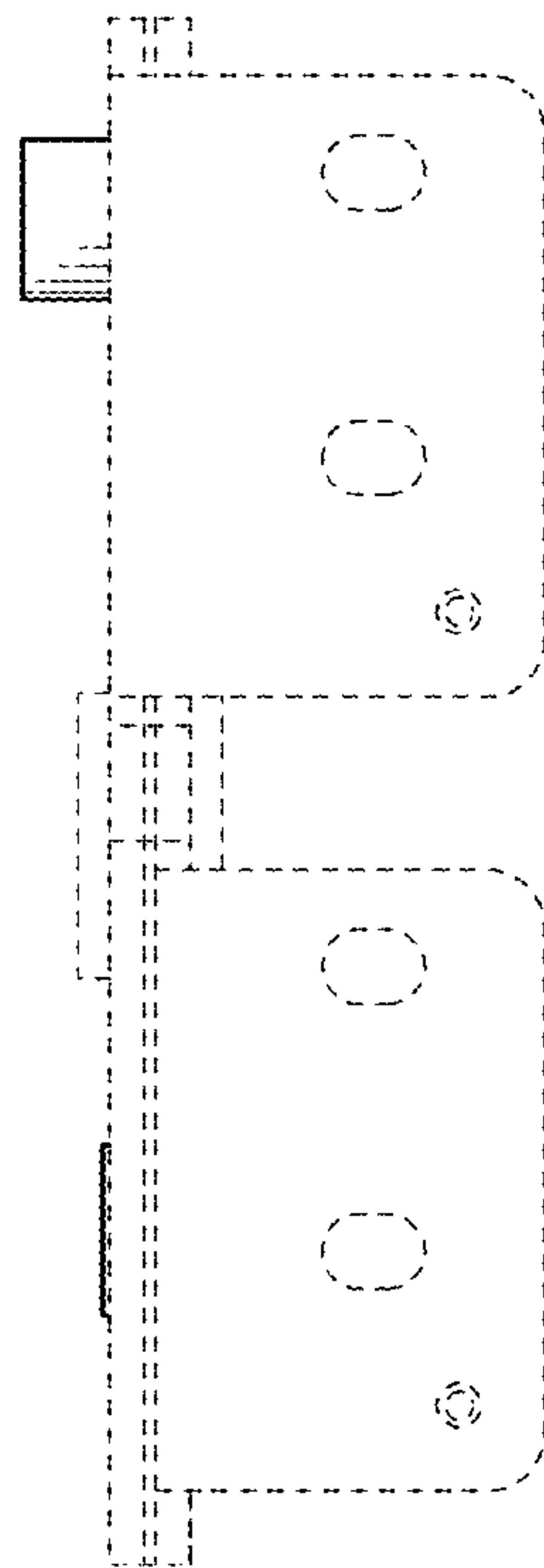


FIG. 4

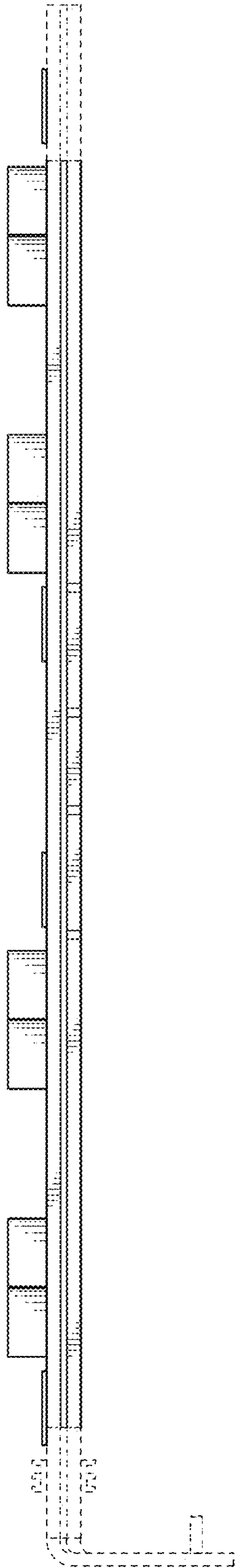


FIG. 5

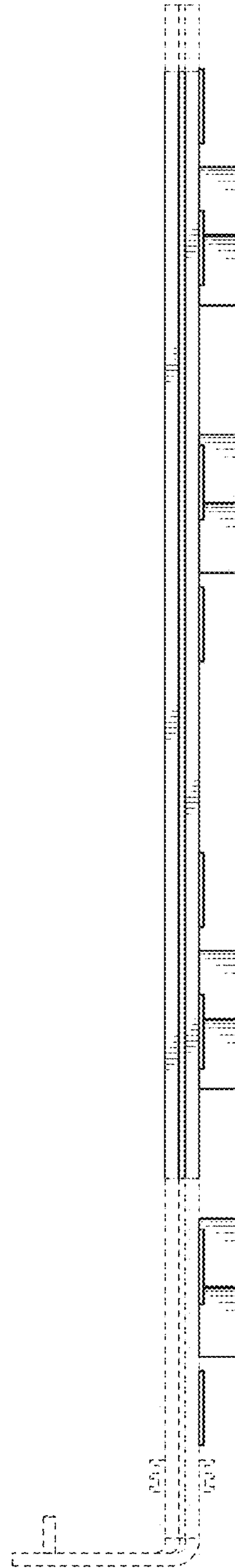


FIG. 6

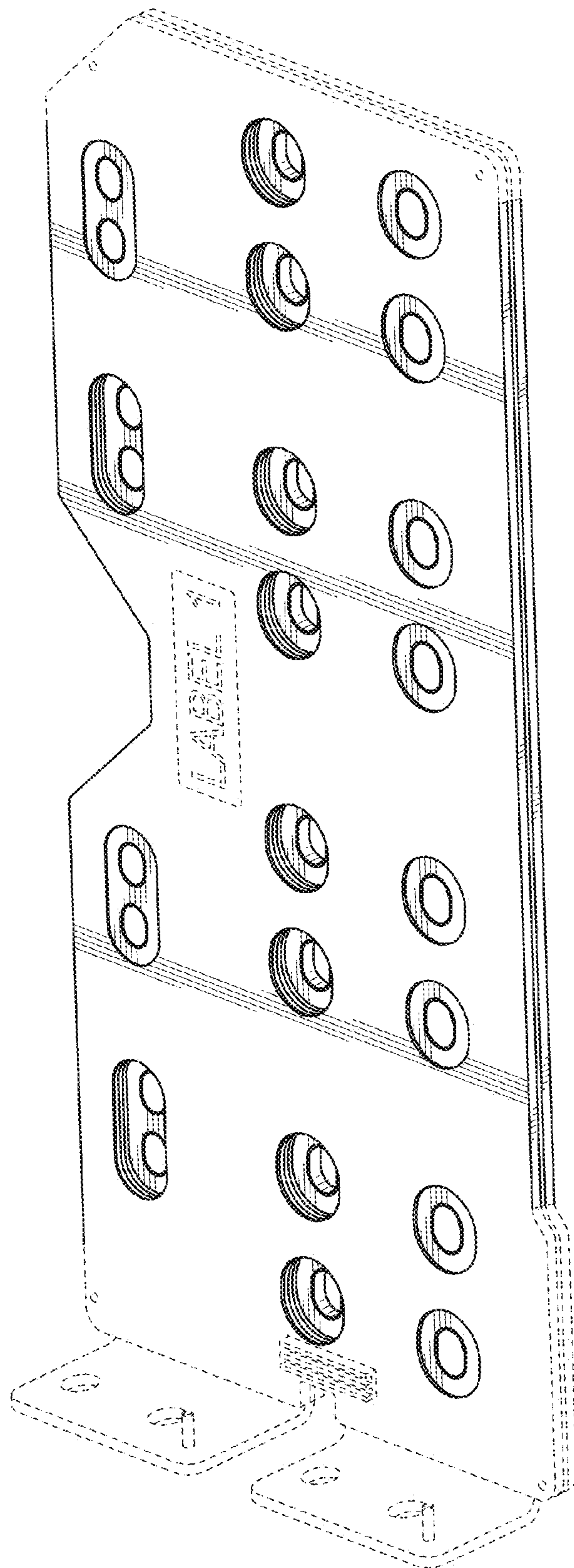


FIG. 7

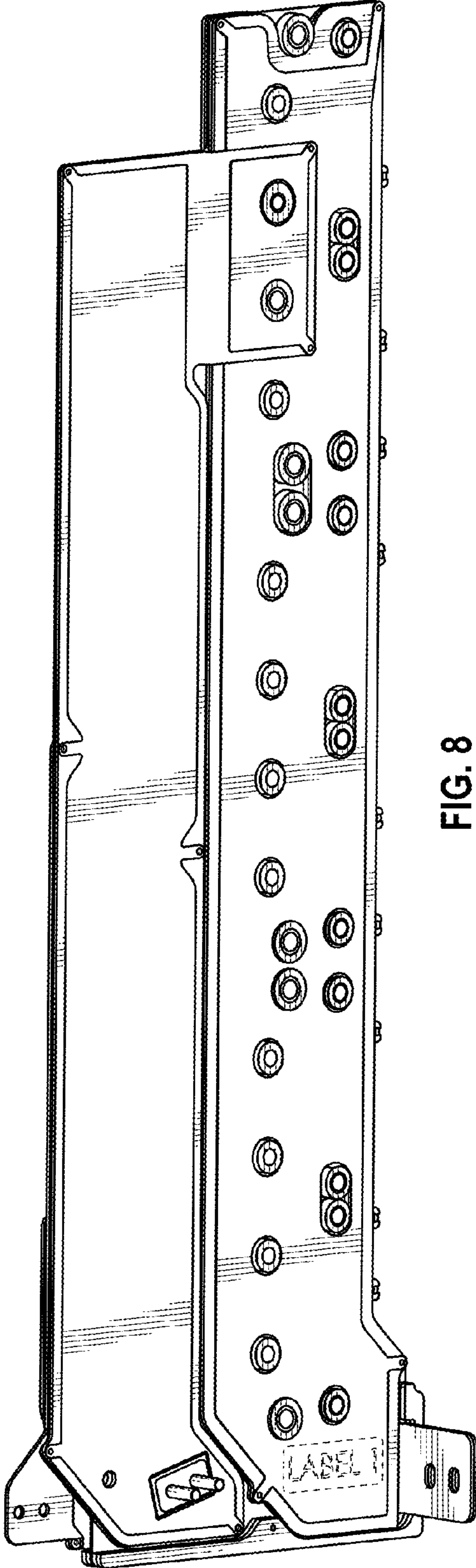


FIG. 8

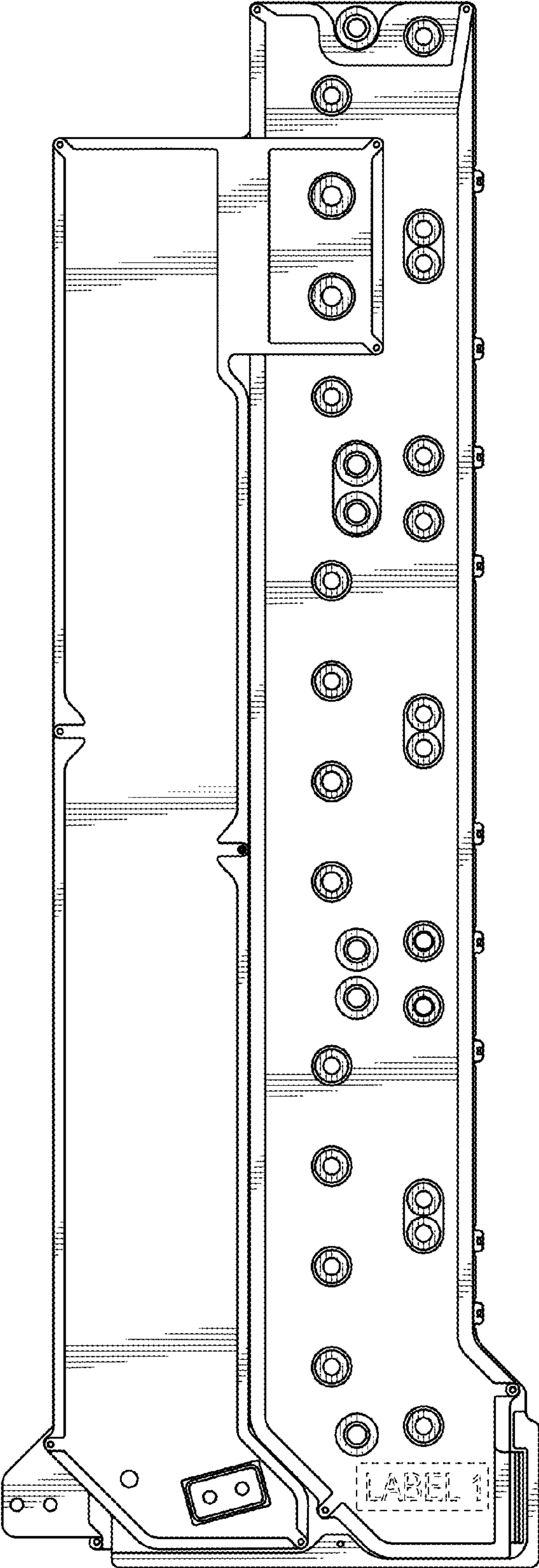


FIG. 9

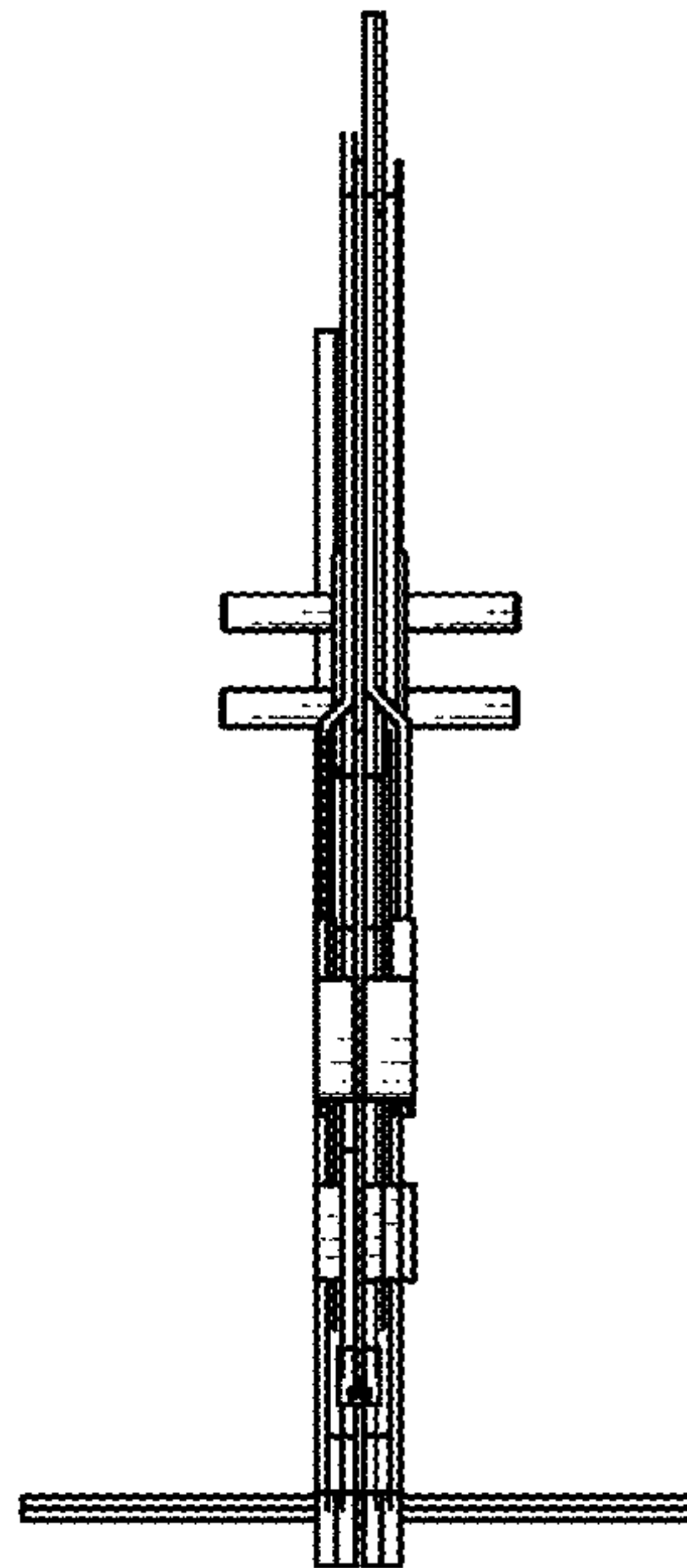


FIG. 10

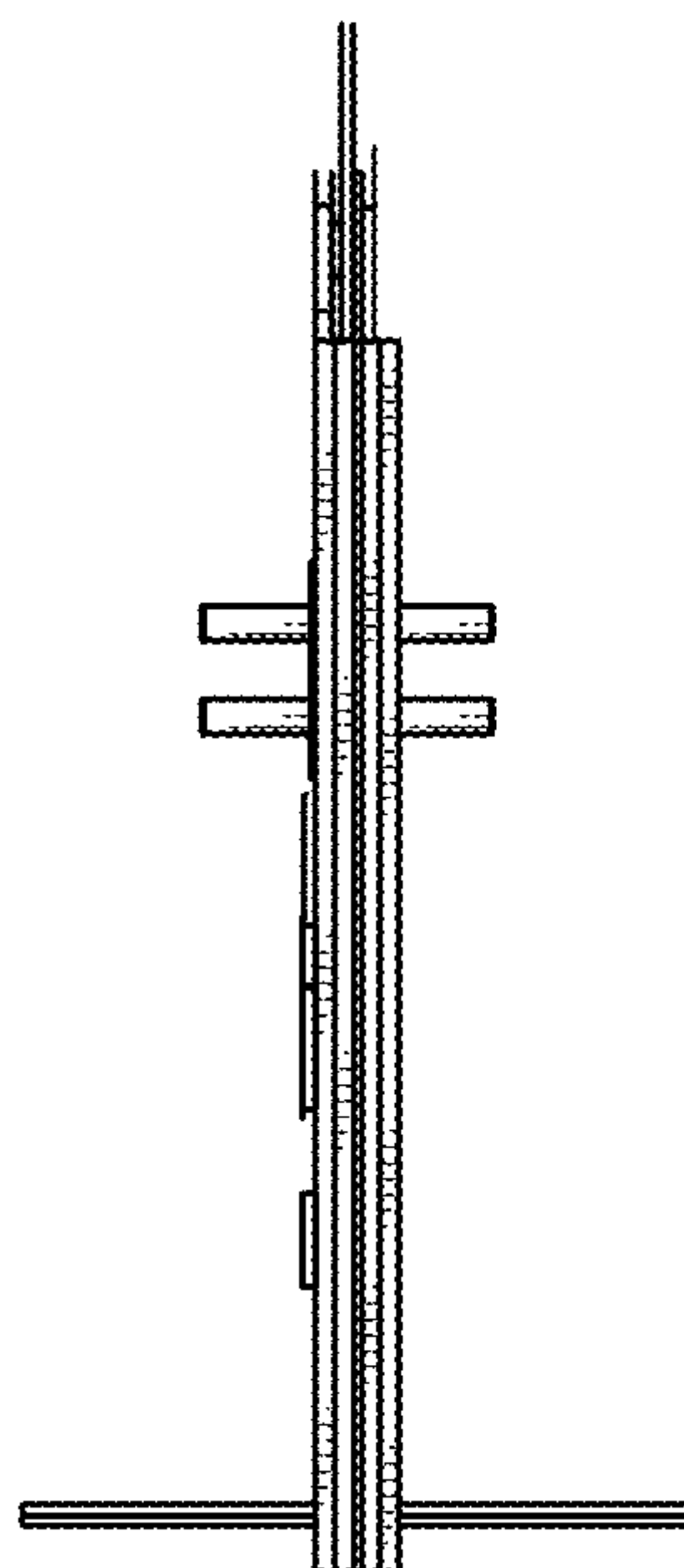


FIG. 11

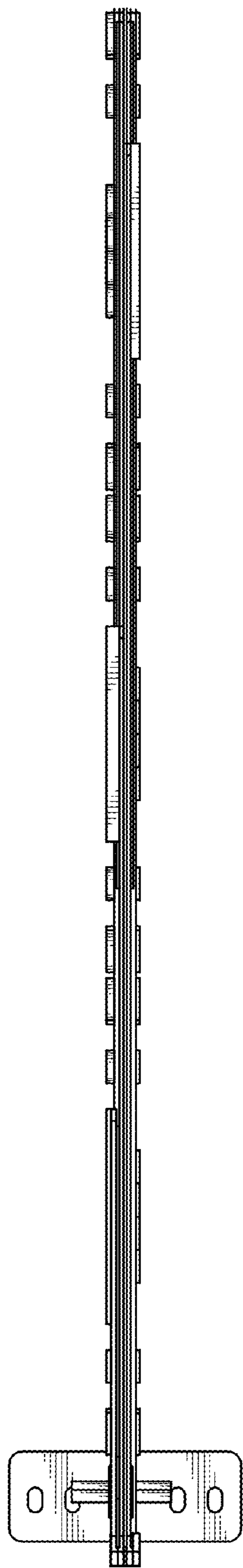


FIG. 12

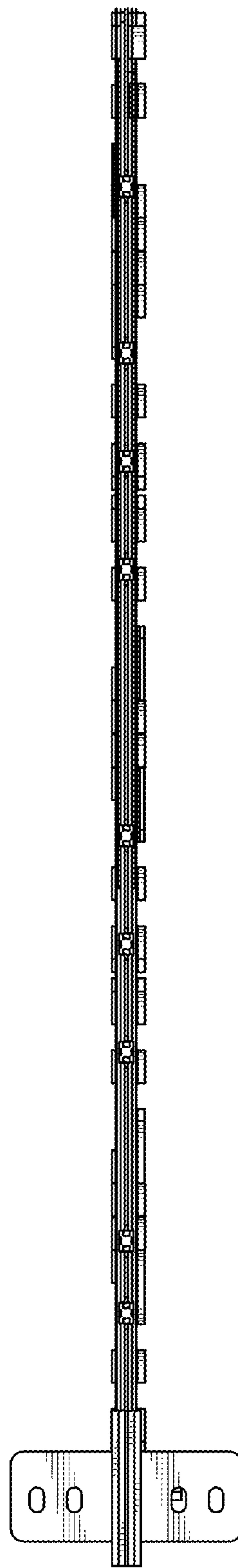


FIG. 13

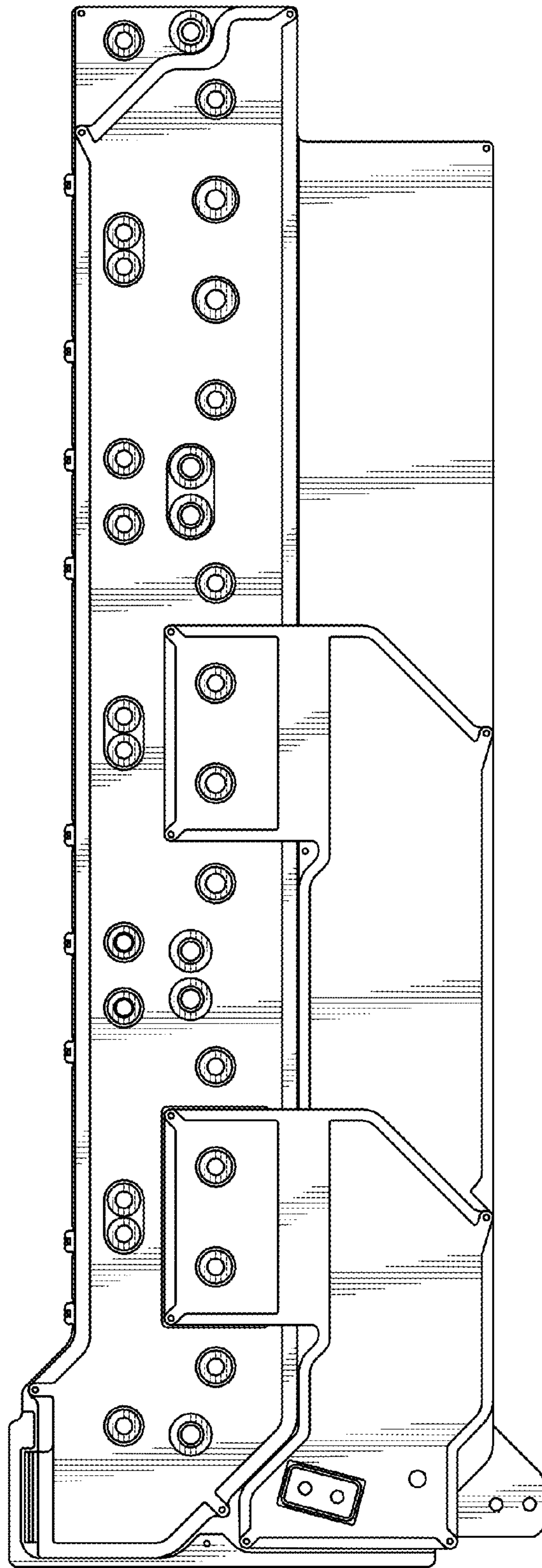


FIG. 14

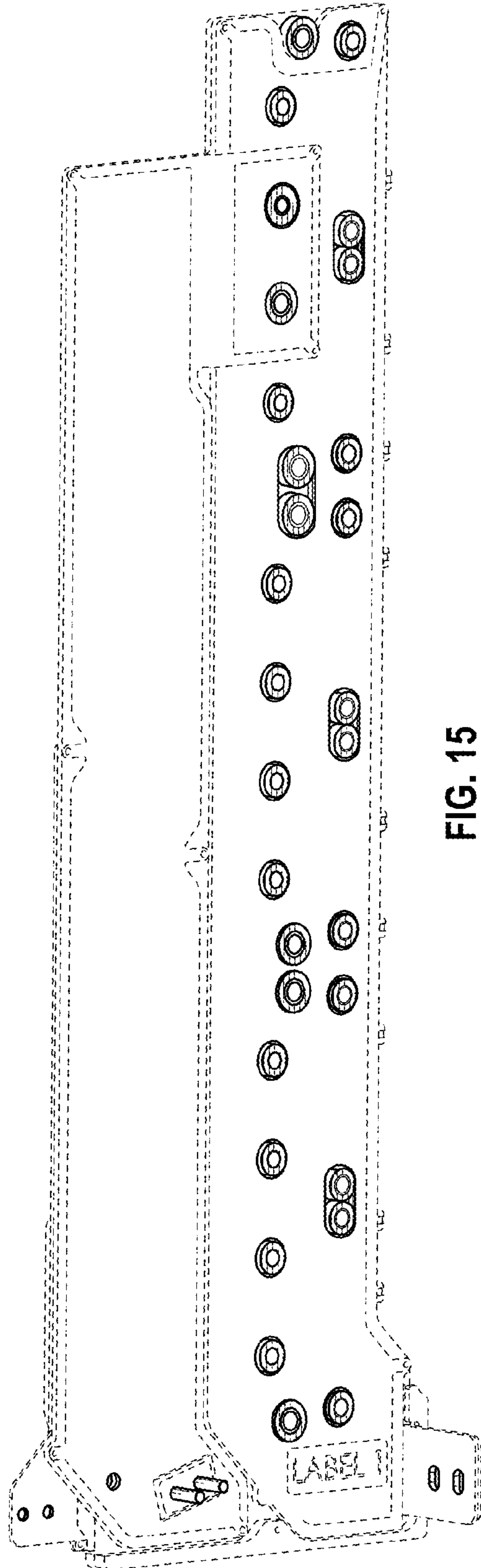


FIG. 15

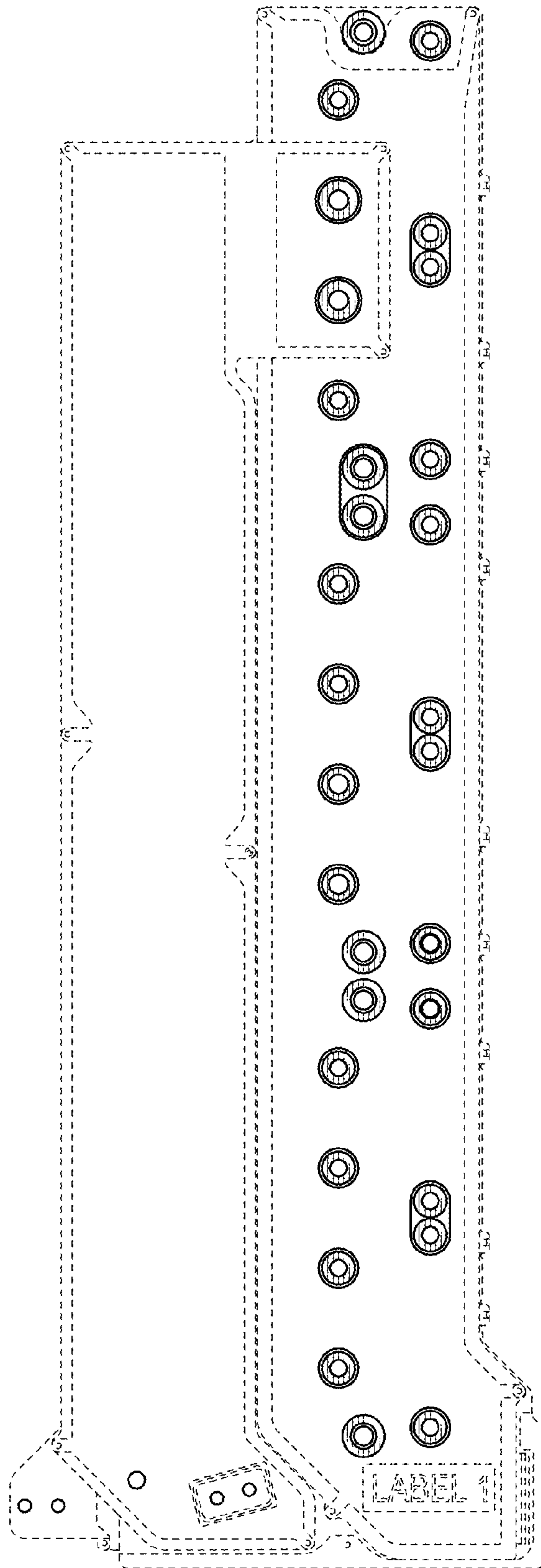


FIG. 16

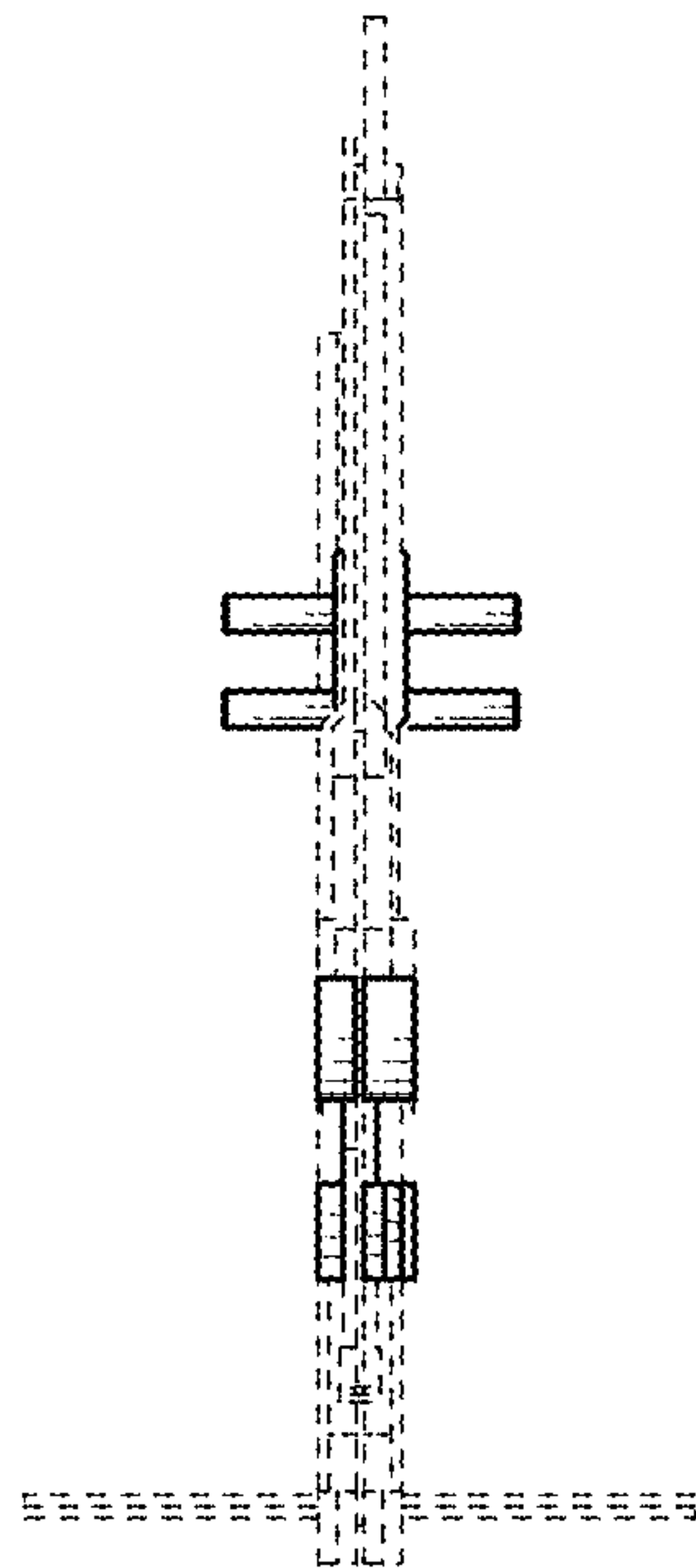


FIG. 17

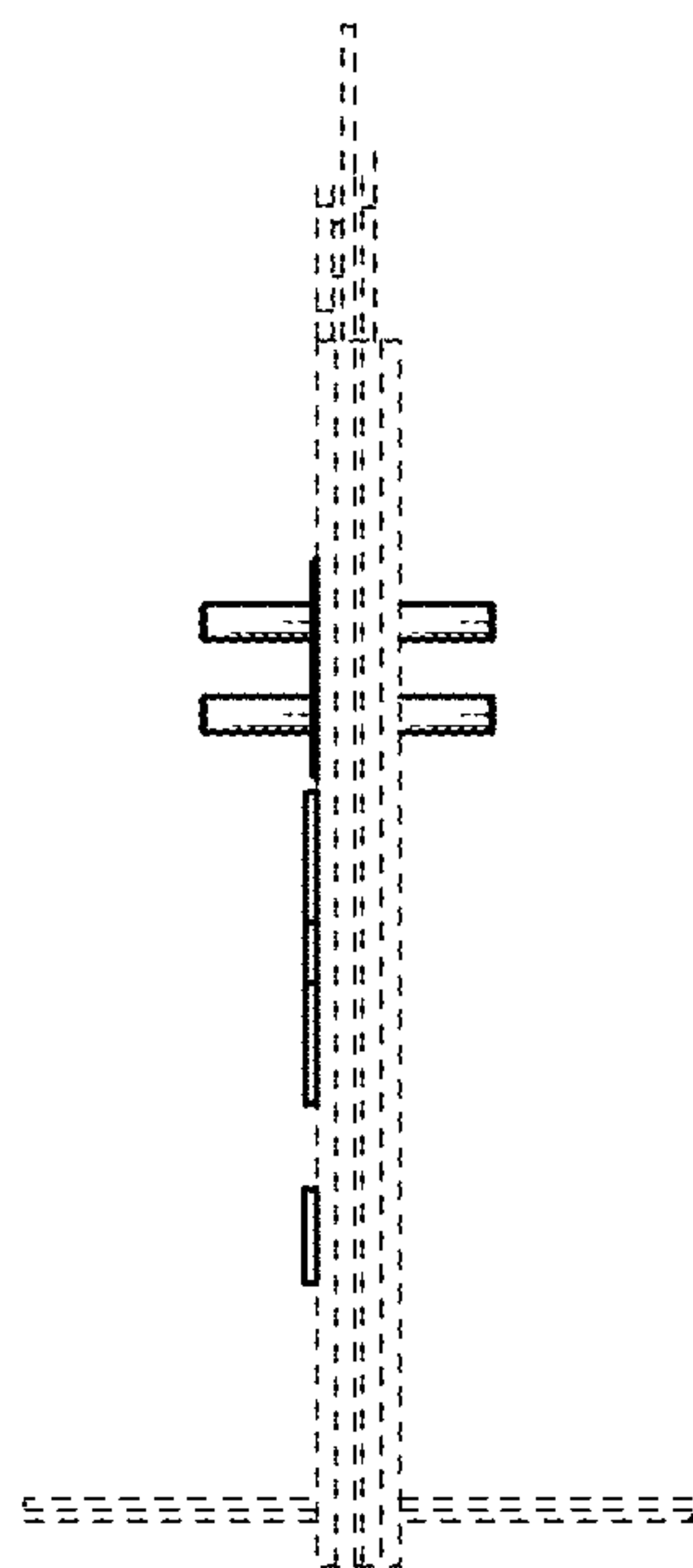


FIG. 18

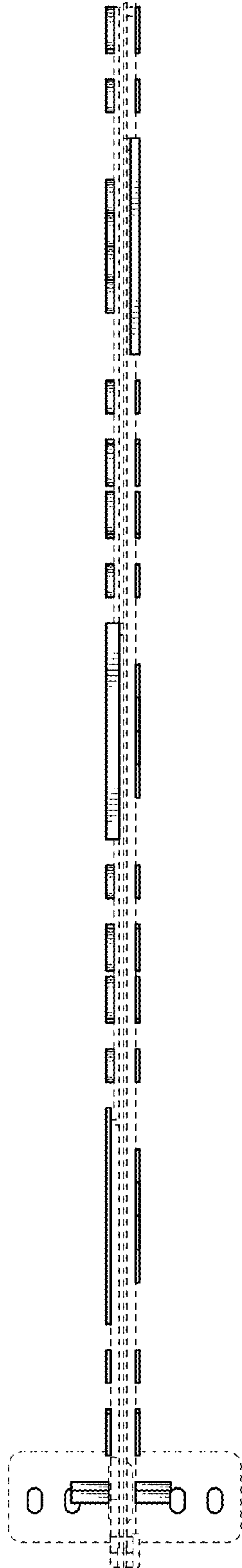


FIG. 19

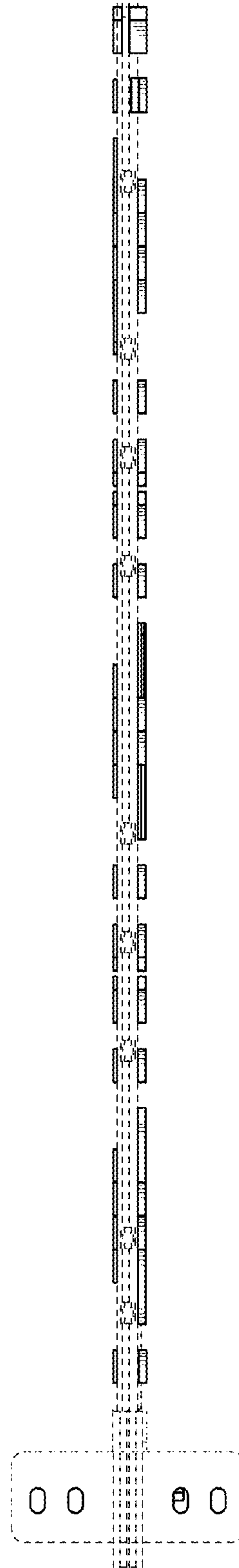


FIG. 20

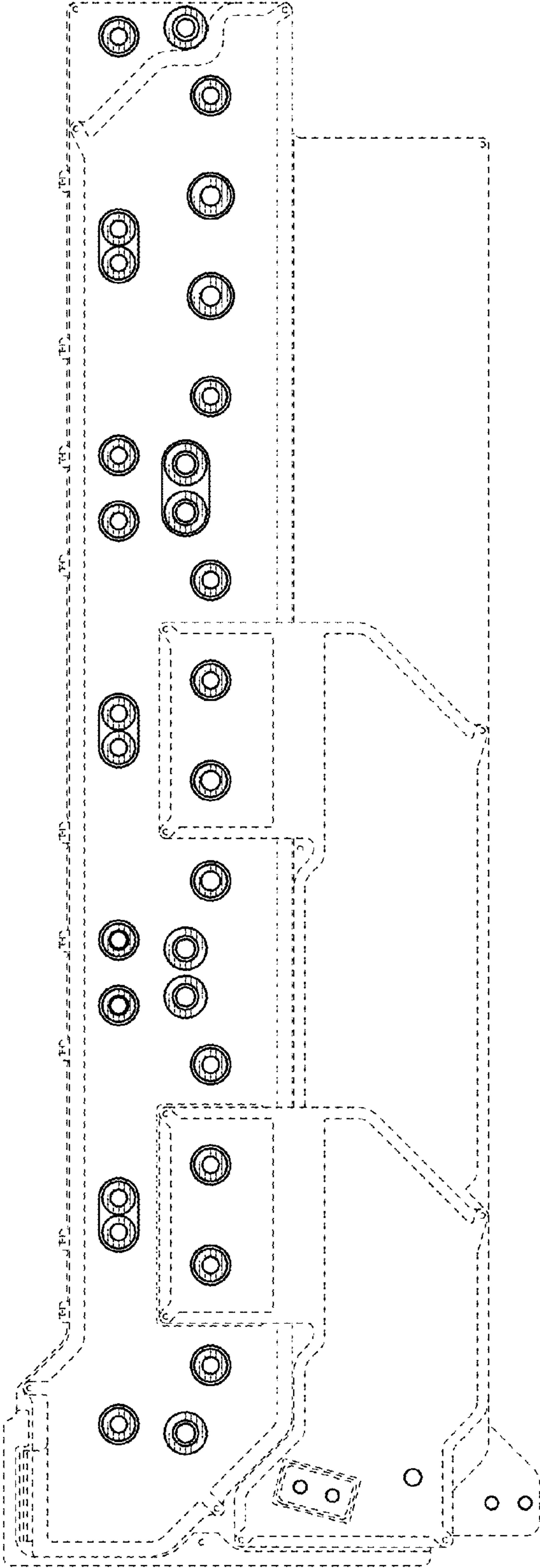


FIG. 21

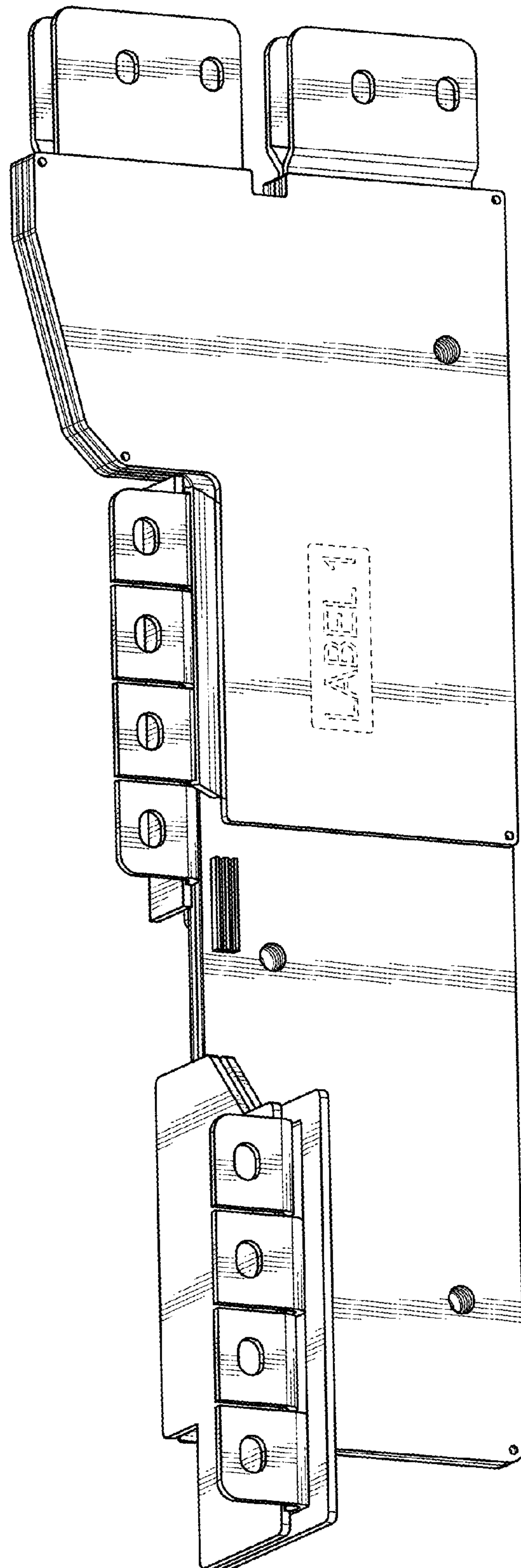


FIG. 22

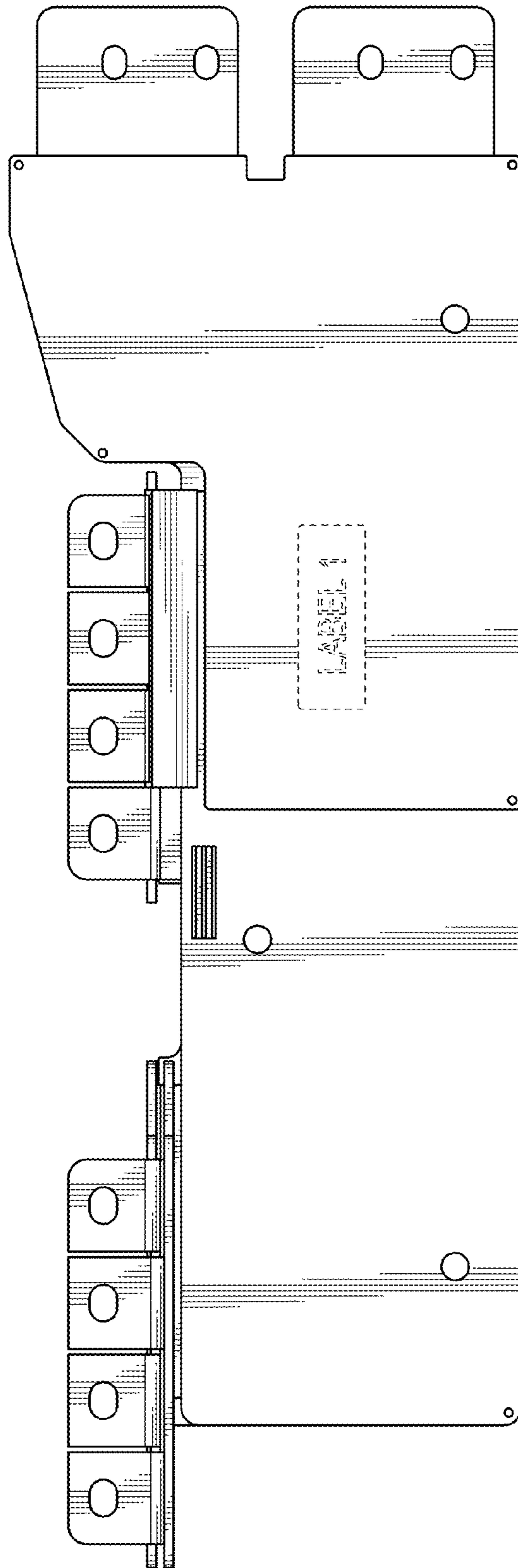


FIG. 23

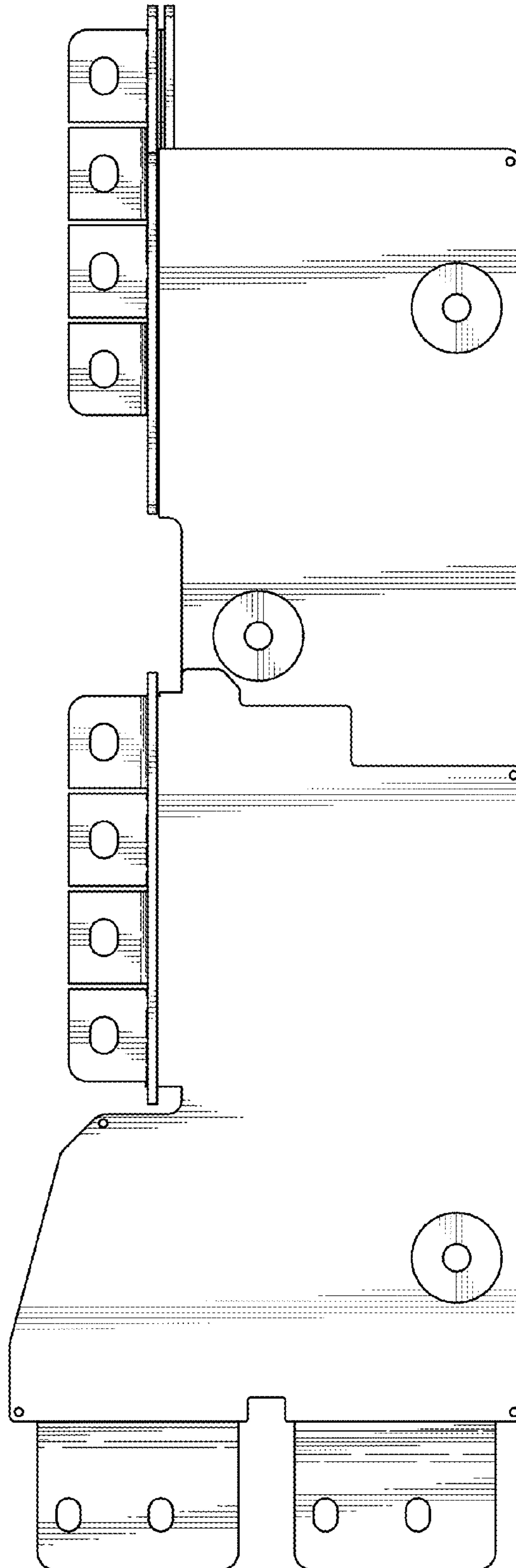


FIG. 24

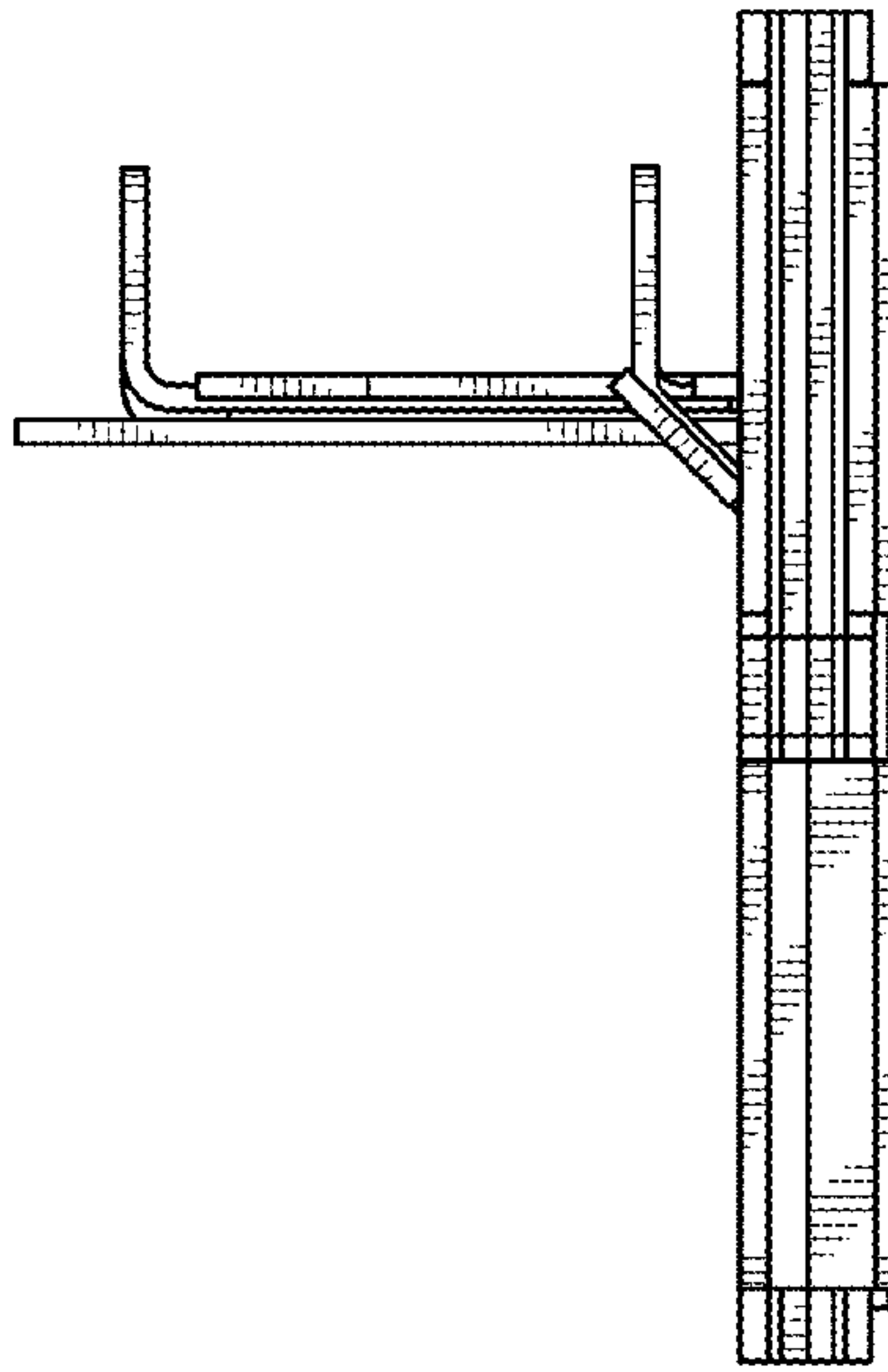


FIG. 25

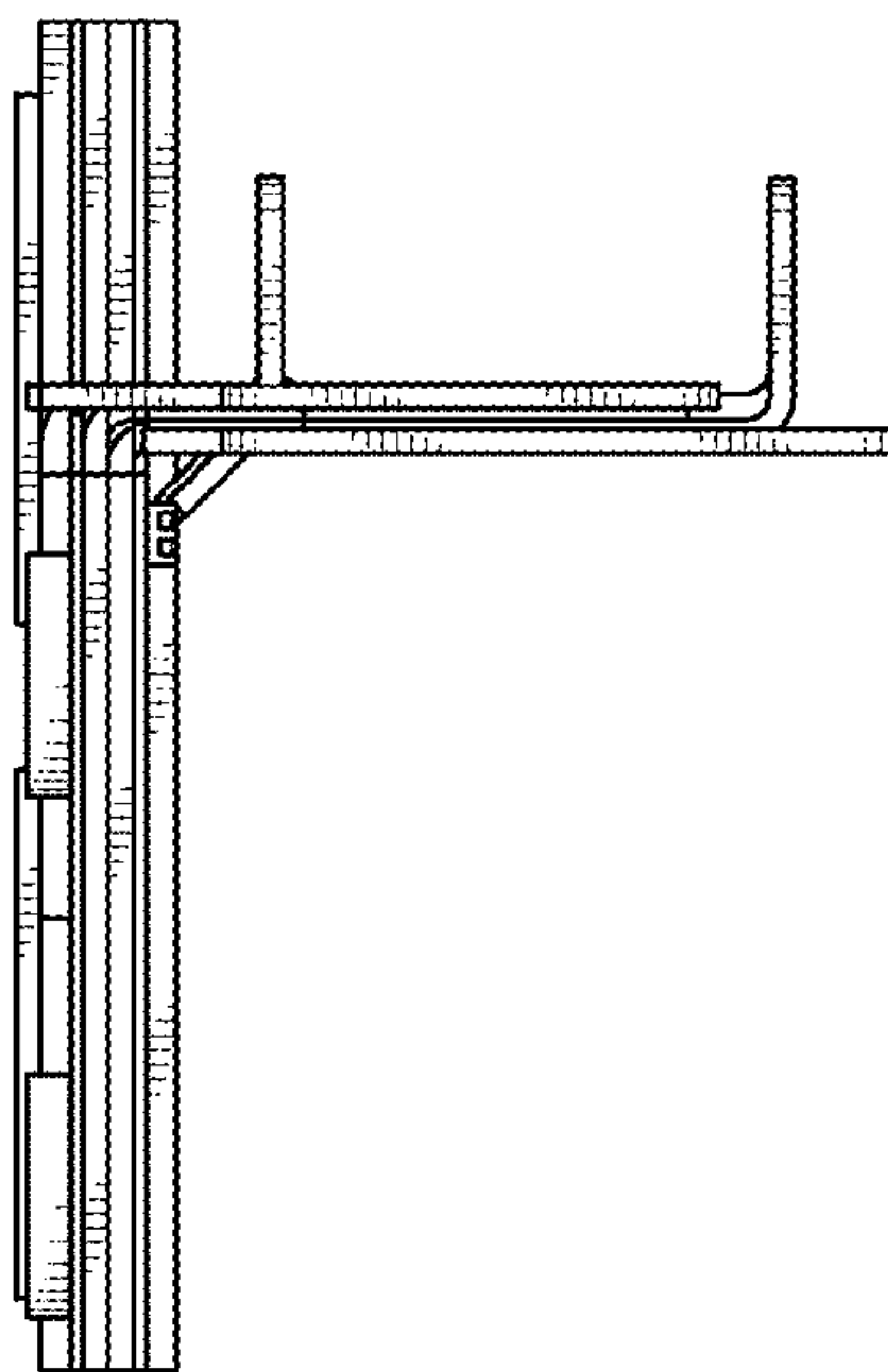


FIG. 26

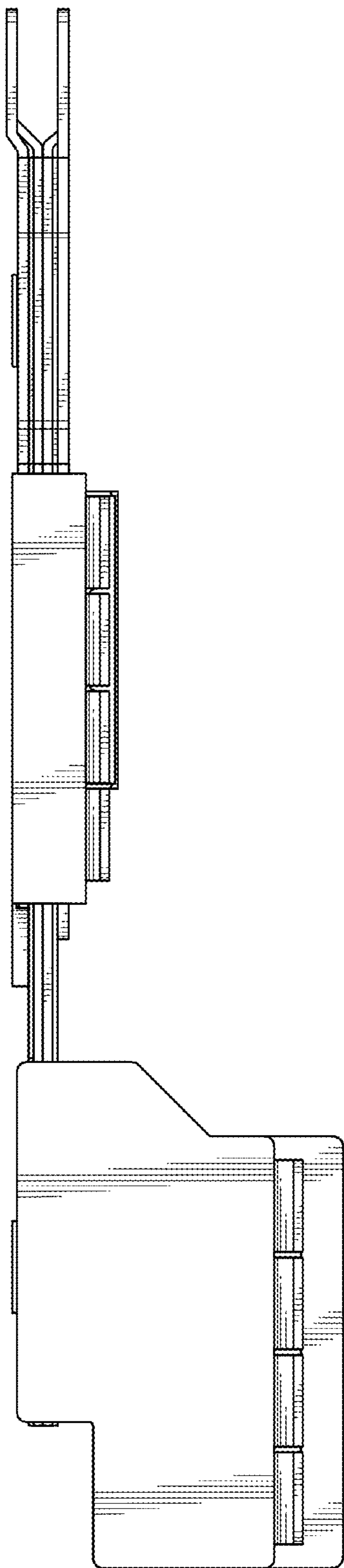


FIG. 27

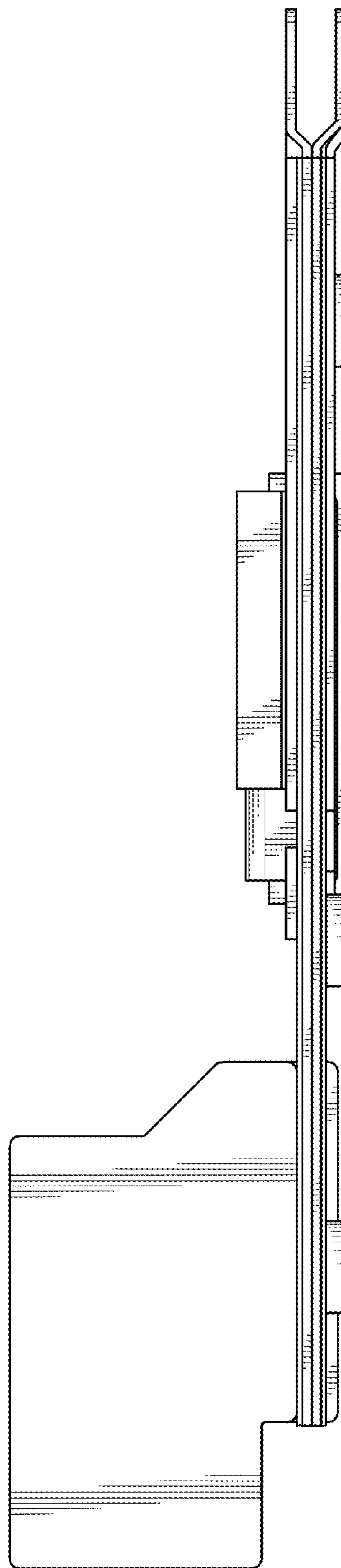


FIG. 28

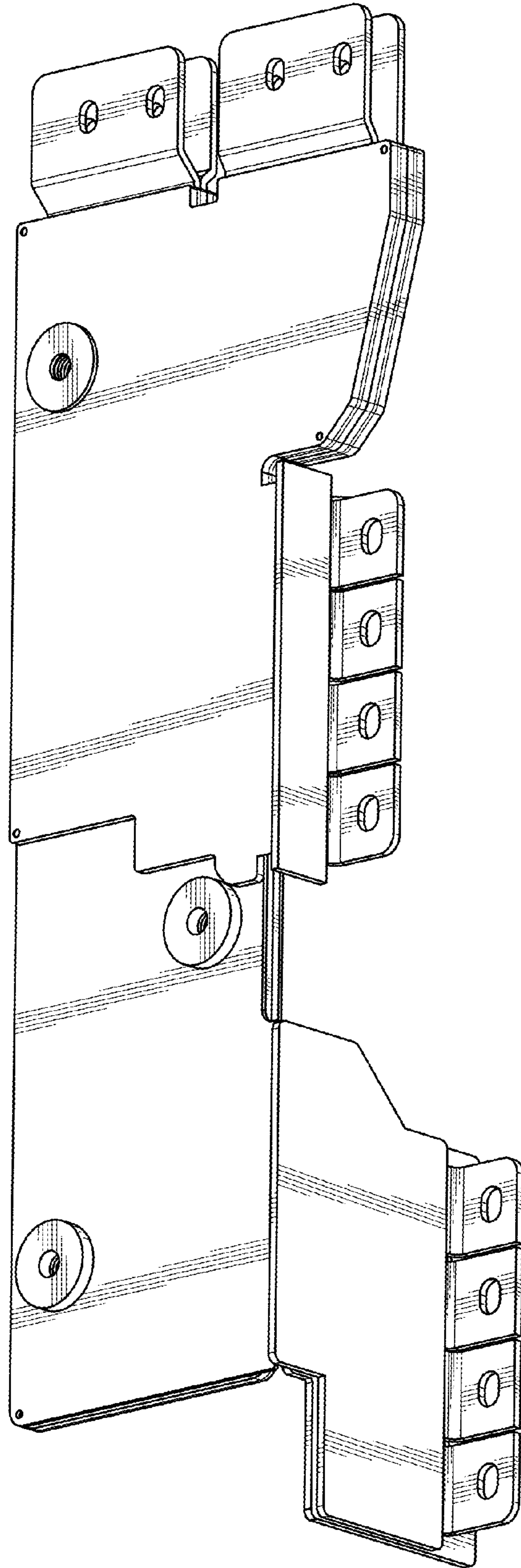


FIG. 29

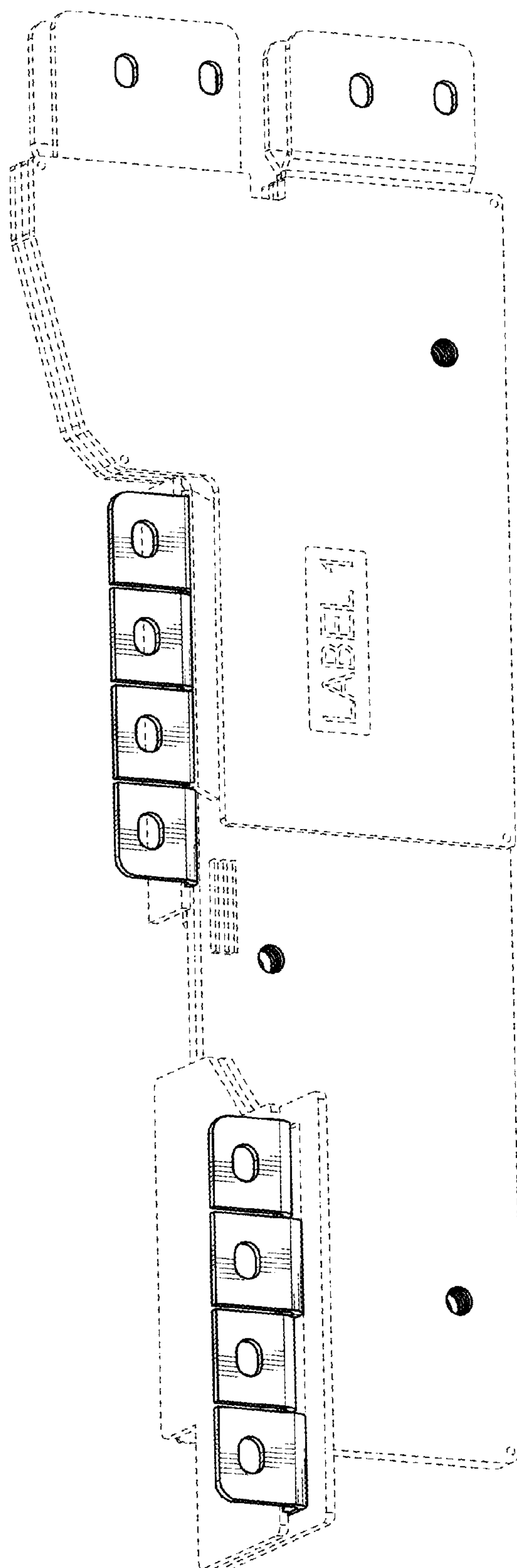


FIG. 30

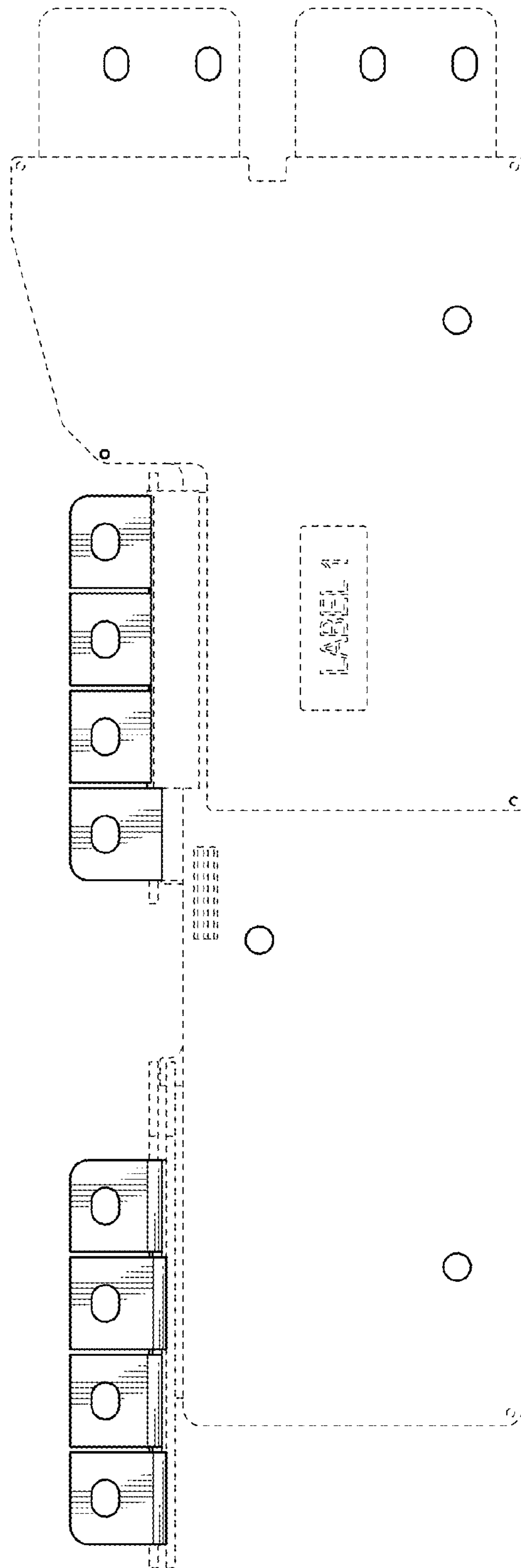


FIG. 31

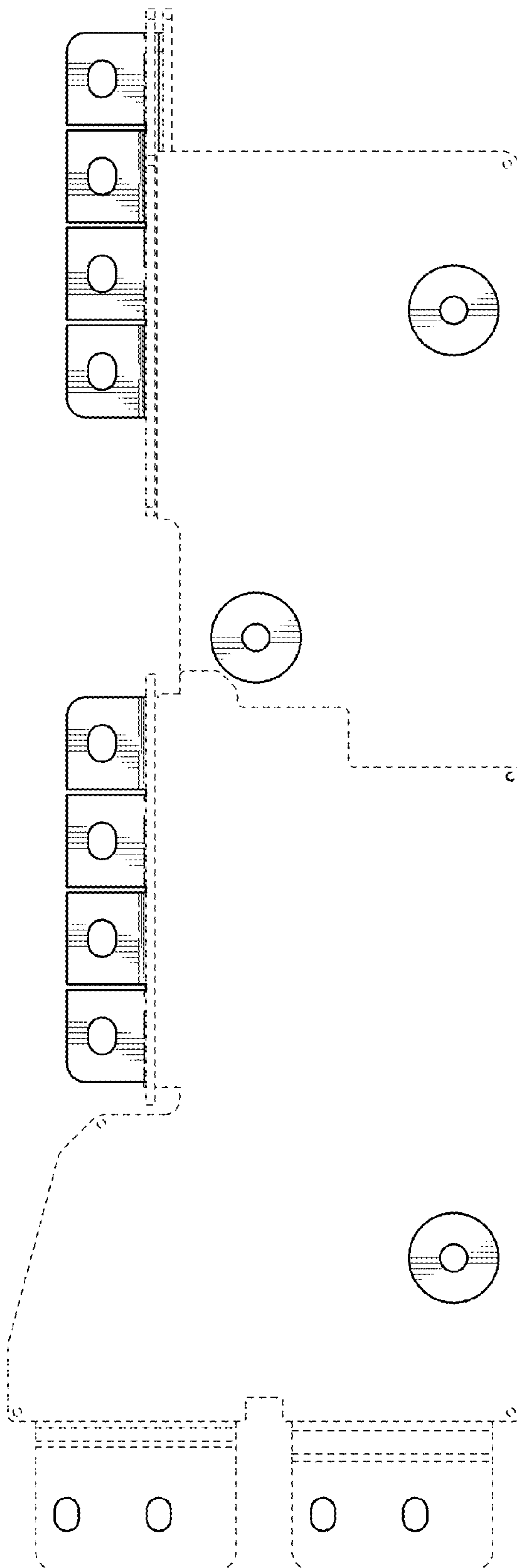


FIG. 32

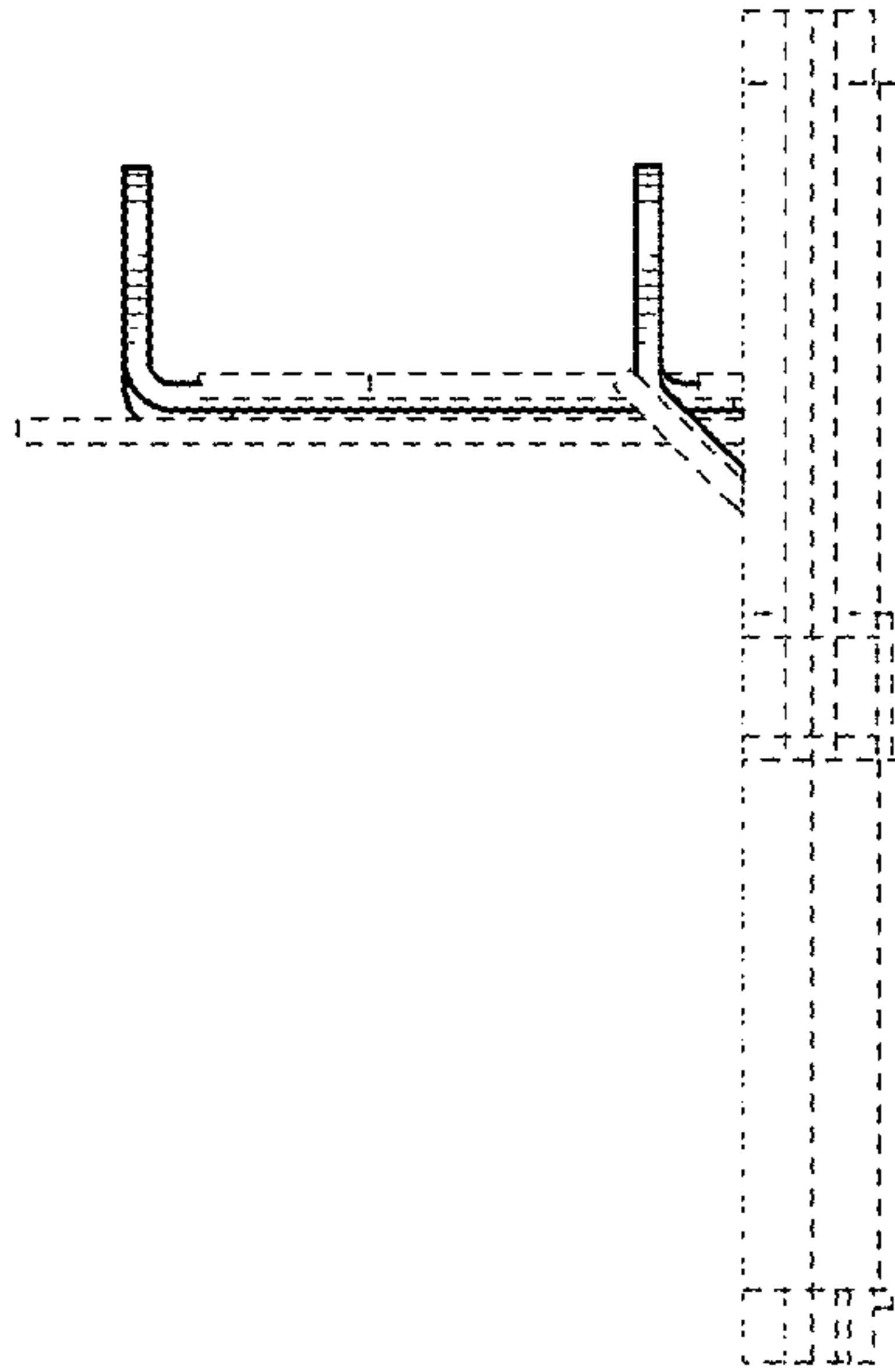


FIG. 33

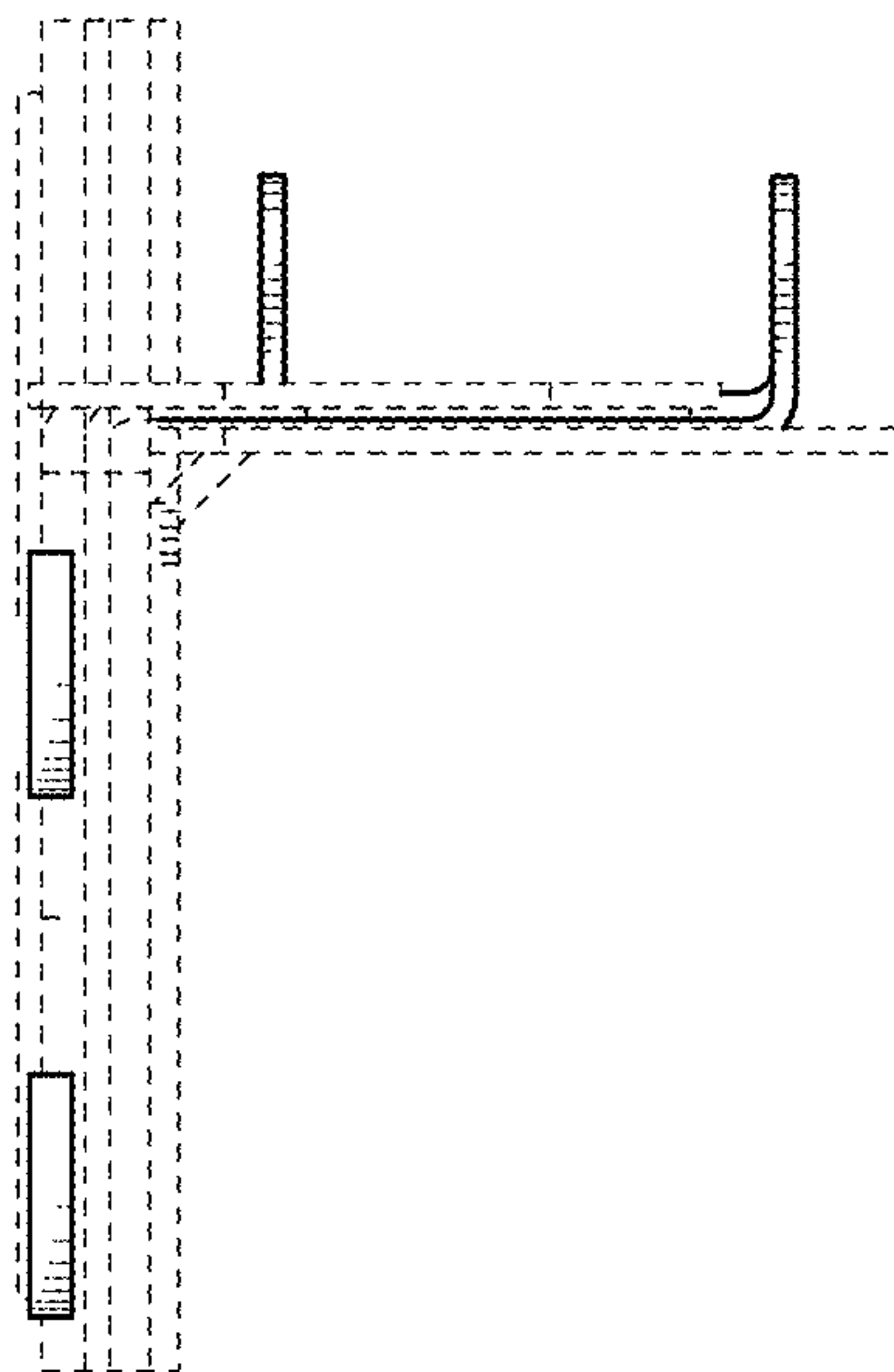


FIG. 34

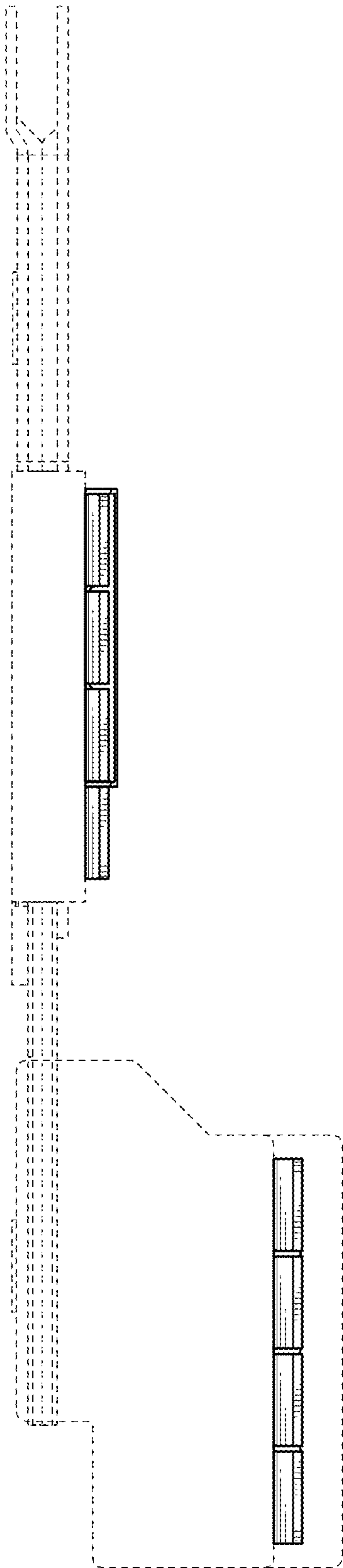


FIG. 35

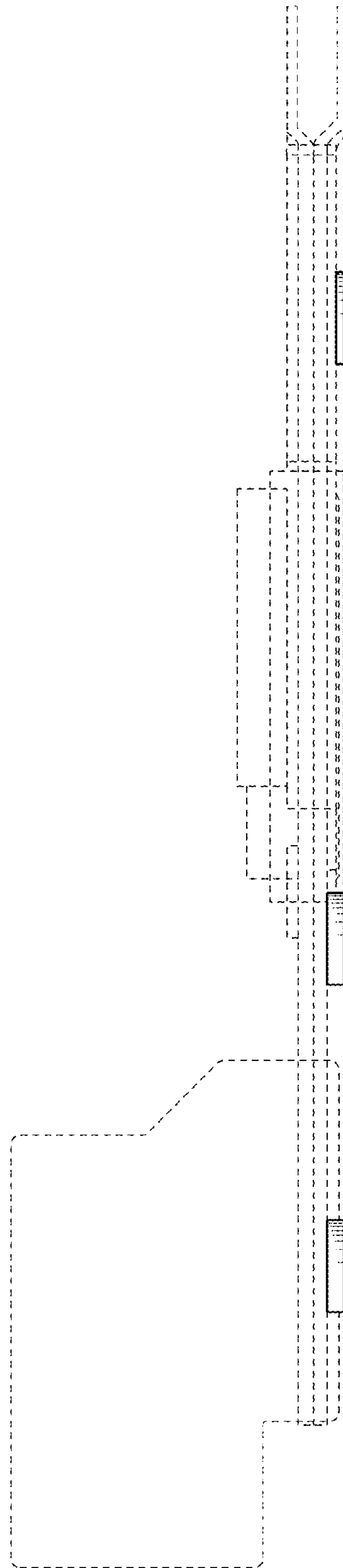


FIG. 36

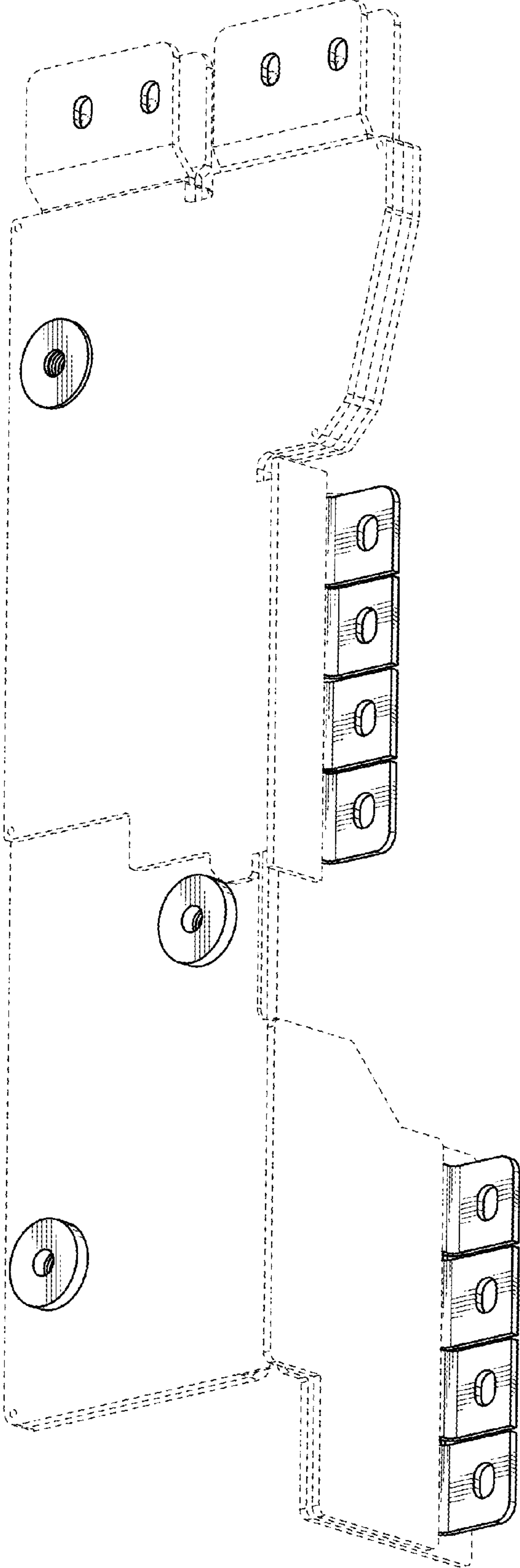


FIG. 37