



US00D760657S

(12) **United States Design Patent**
Hung

(10) **Patent No.:** **US D760,657 S**
(45) **Date of Patent:** **** Jul. 5, 2016**

(54) **CONNECTOR STRUCTURE**

(71) Applicant: **DELTA ELECTRONICS, INC.,**
Taoyuan (TW)

(72) Inventor: **Ruei-Lin Hung,** Taoyuan (TW)

(73) Assignee: **DELTA ELECTRONICS, INC.,**
Taoyuan (TW)

(**) Term: **14 Years**

(21) Appl. No.: **29/515,713**

(22) Filed: **Jan. 26, 2015**

(51) **LOC (10) Cl.** **13-03**

(52) **U.S. Cl.**
USPC **D13/147**

(58) **Field of Classification Search**
USPC D13/133, 147, 153, 154, 184, 199
See application file for complete search history.

(56) **References Cited**

U.S. PATENT DOCUMENTS

D699,188 S *	2/2014	Akana	D13/147
D703,145 S *	4/2014	Akana	D13/147
D705,174 S *	5/2014	Wong	D13/147
D713,350 S *	9/2014	Akana	D13/147
D716,234 S *	10/2014	Tien	D13/147
D716,235 S *	10/2014	Tien	D13/147

* cited by examiner

Primary Examiner — Daniel Bui

(74) *Attorney, Agent, or Firm* — Muncy, Geissler, Olds & Lowe, P.C.

(57) **CLAIM**

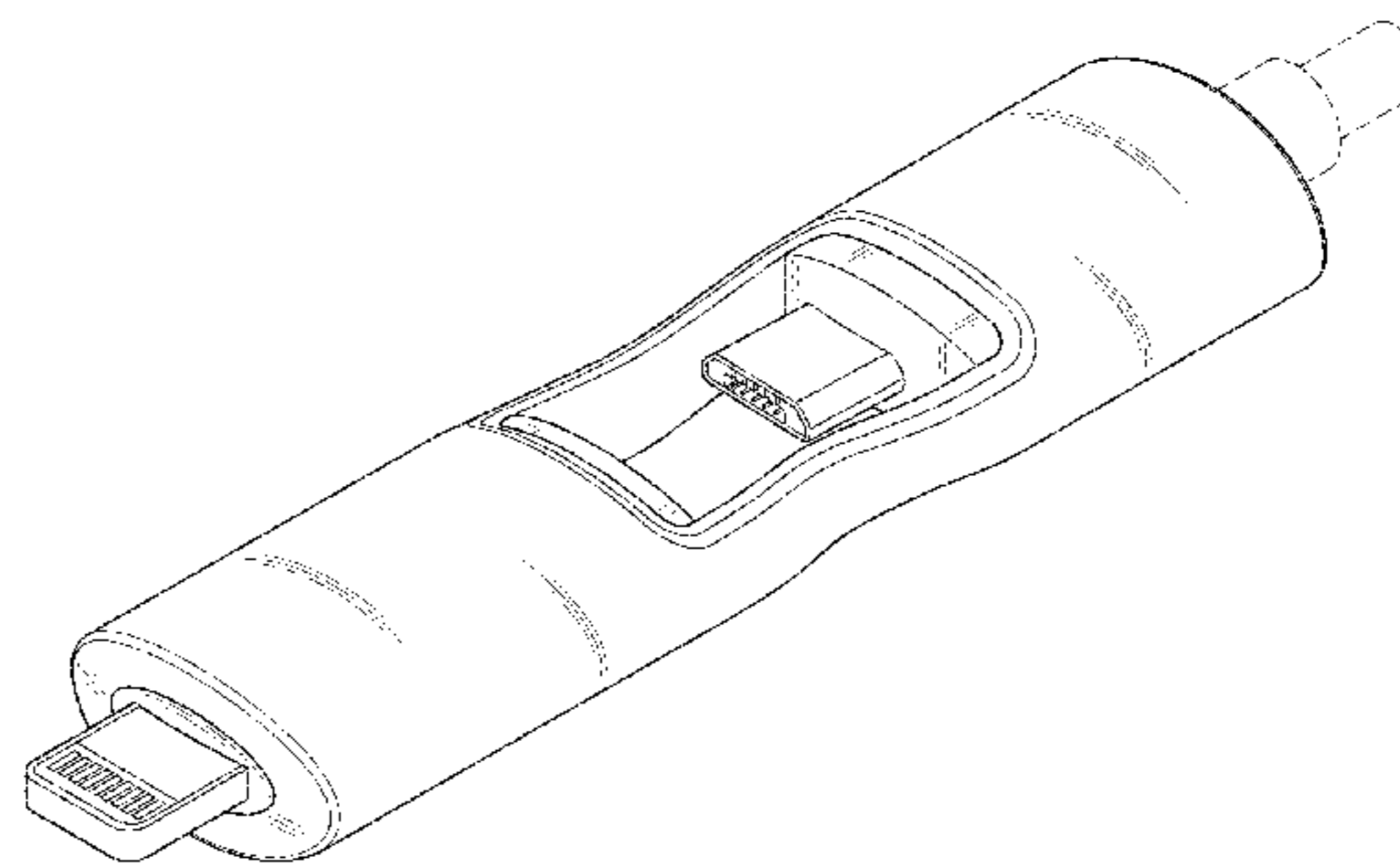
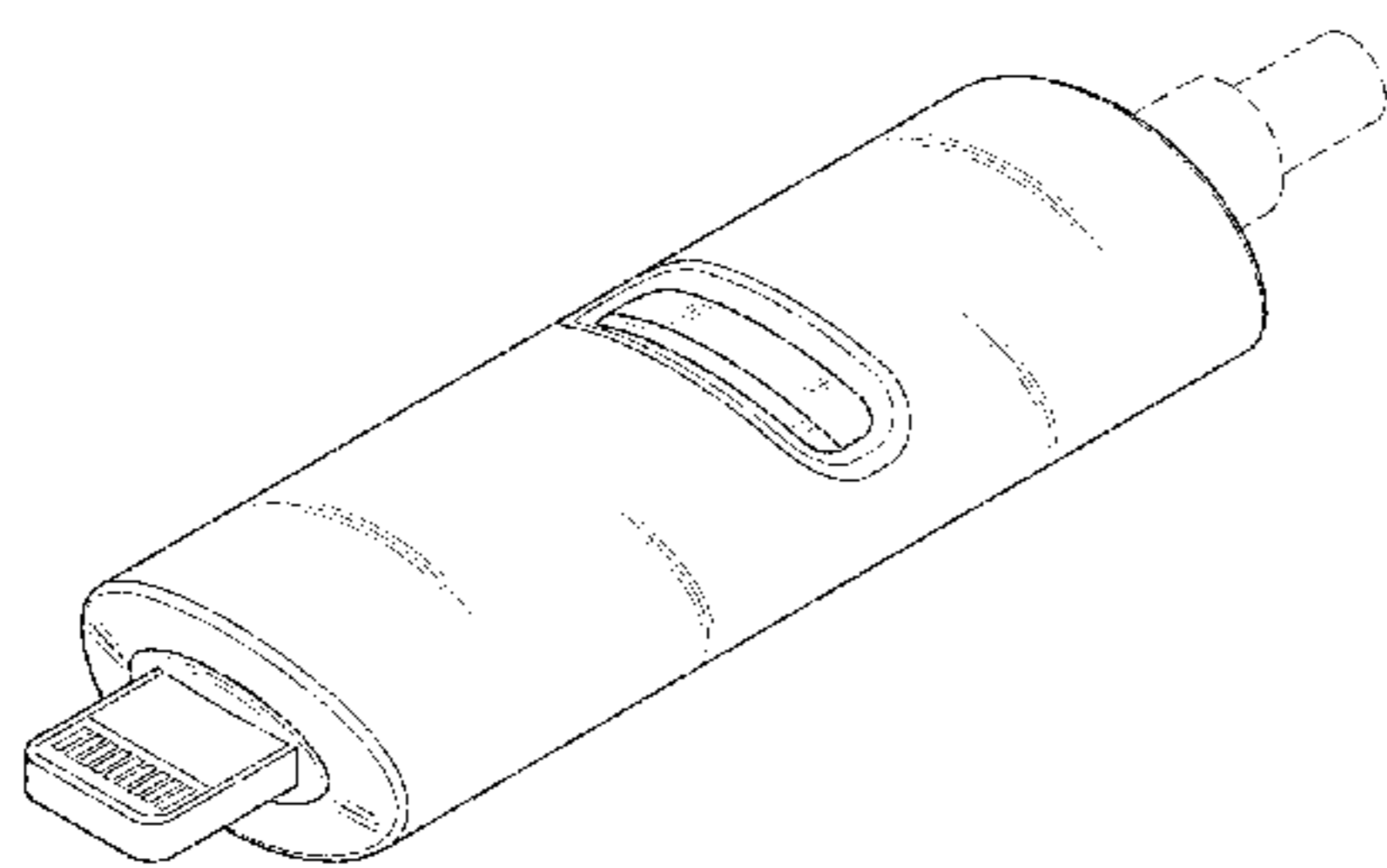
The ornamental design for a connector structure, as shown and described.

DESCRIPTION

FIG. 1 is a top perspective view of a first embodiment of a connector structure showing my new design;
 FIG. 2 is a front elevational view thereof;
 FIG. 3 is a rear elevational view thereof;
 FIG. 4 is a left side elevational view thereof;
 FIG. 5 is a right side elevational view thereof;
 FIG. 6 is a top plan view thereof;
 FIG. 7 is a bottom plan view thereof;
 FIG. 8 is a top perspective view thereof, in a first alternate position;
 FIG. 9 is a top perspective view thereof, in a second alternate position;
 FIG. 10 is a top perspective view of a second embodiment of a connector structure showing my new design;
 FIG. 11 is a front elevational view thereof;
 FIG. 12 is a rear elevational view thereof;
 FIG. 13 is a left side elevational view thereof;
 FIG. 14 is a right side elevational view thereof;
 FIG. 15 is a top plan view thereof;
 FIG. 16 is a bottom plan view thereof;
 FIG. 17 is a top perspective view thereof, in a first alternate position; and,
 FIG. 18 is a top perspective view thereof, in a second alternate position.

The broken lines shown in the figures illustrate environmental structures that form no part of the claimed design.

1 Claim, 12 Drawing Sheets



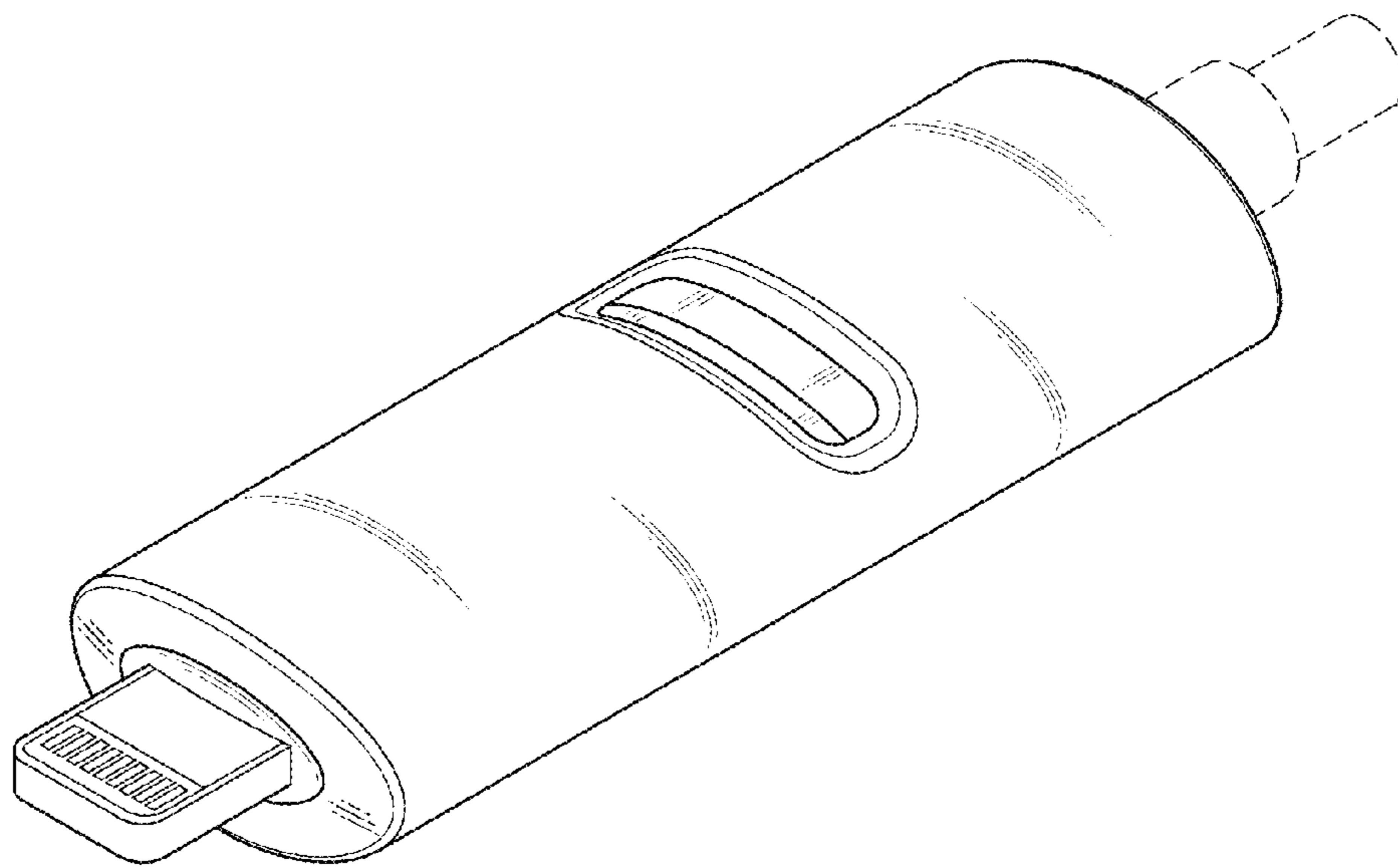


FIG.1

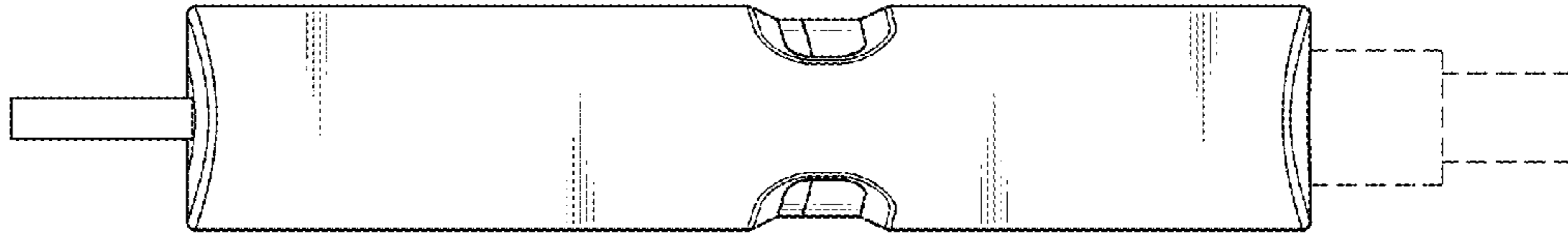


FIG.2

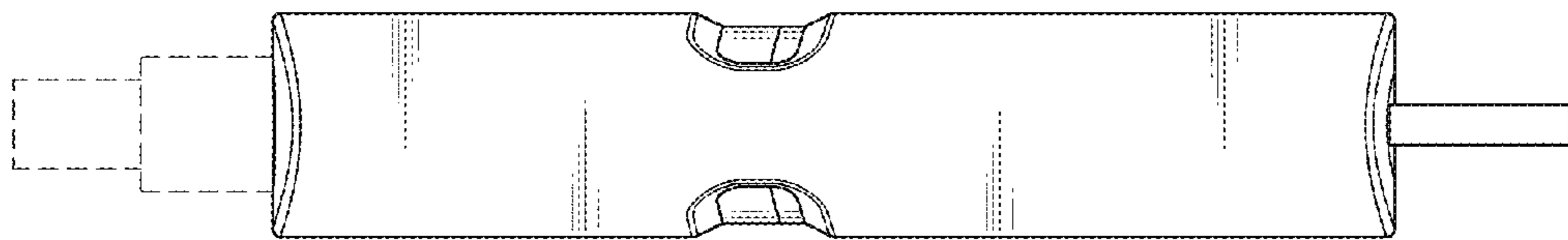


FIG.3

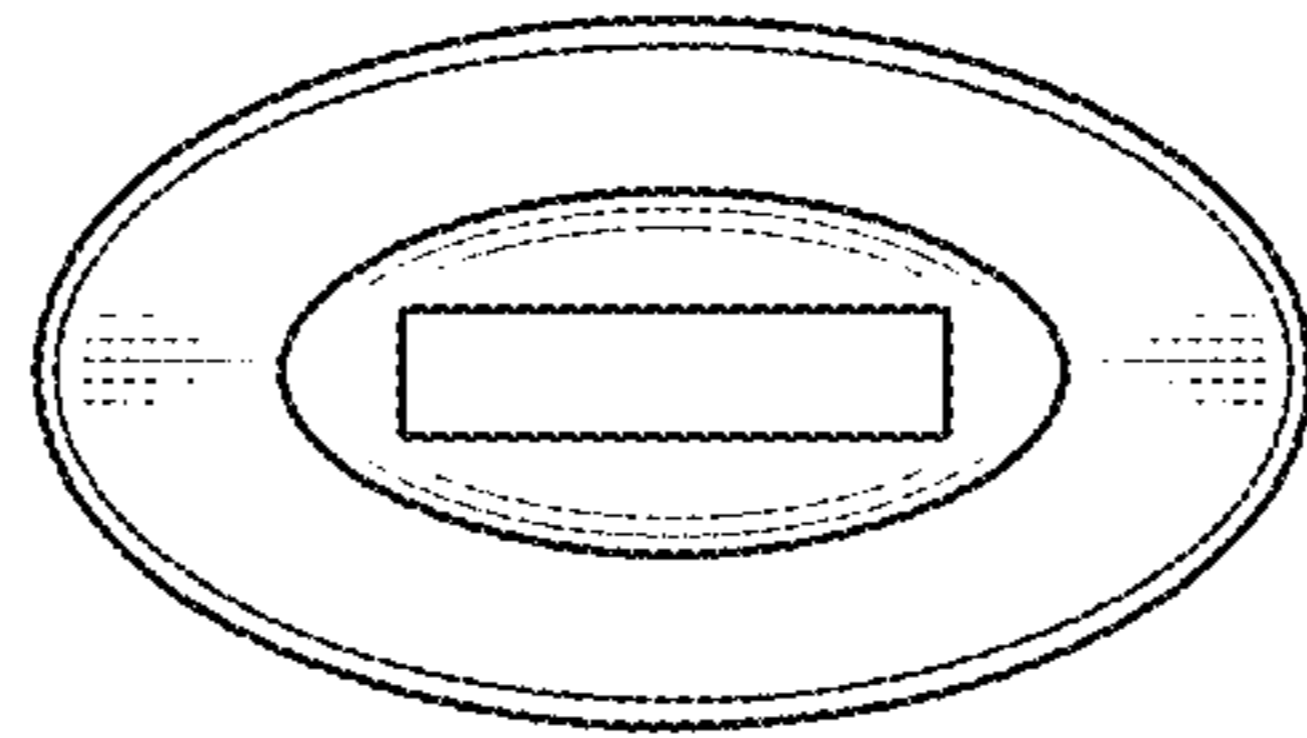


FIG. 4

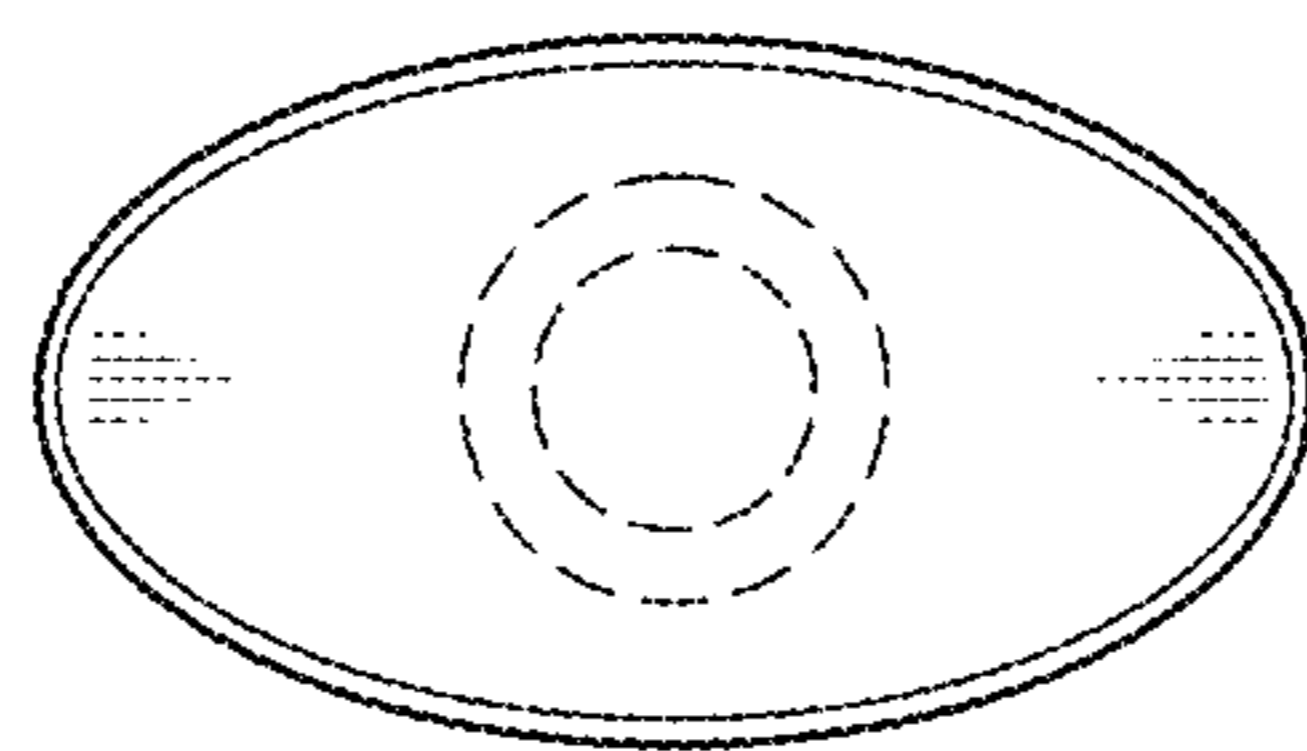


FIG. 5

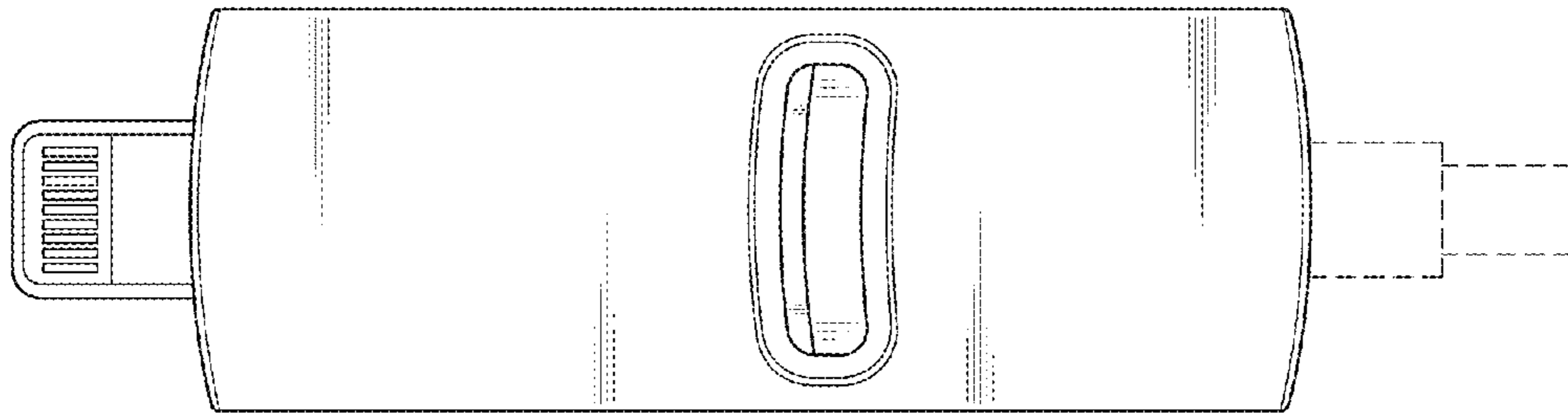


FIG.6

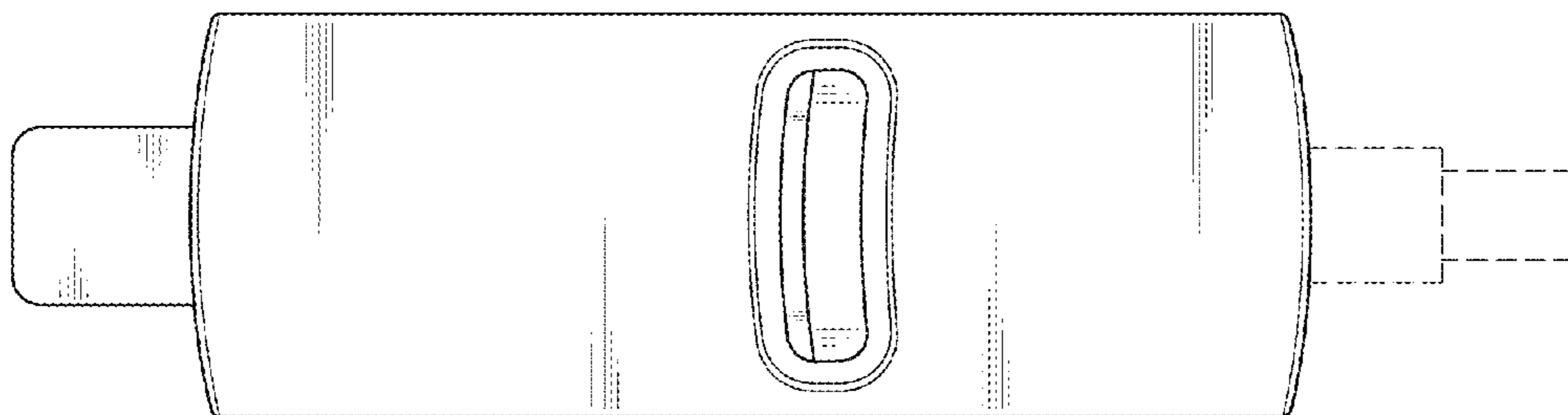


FIG.7

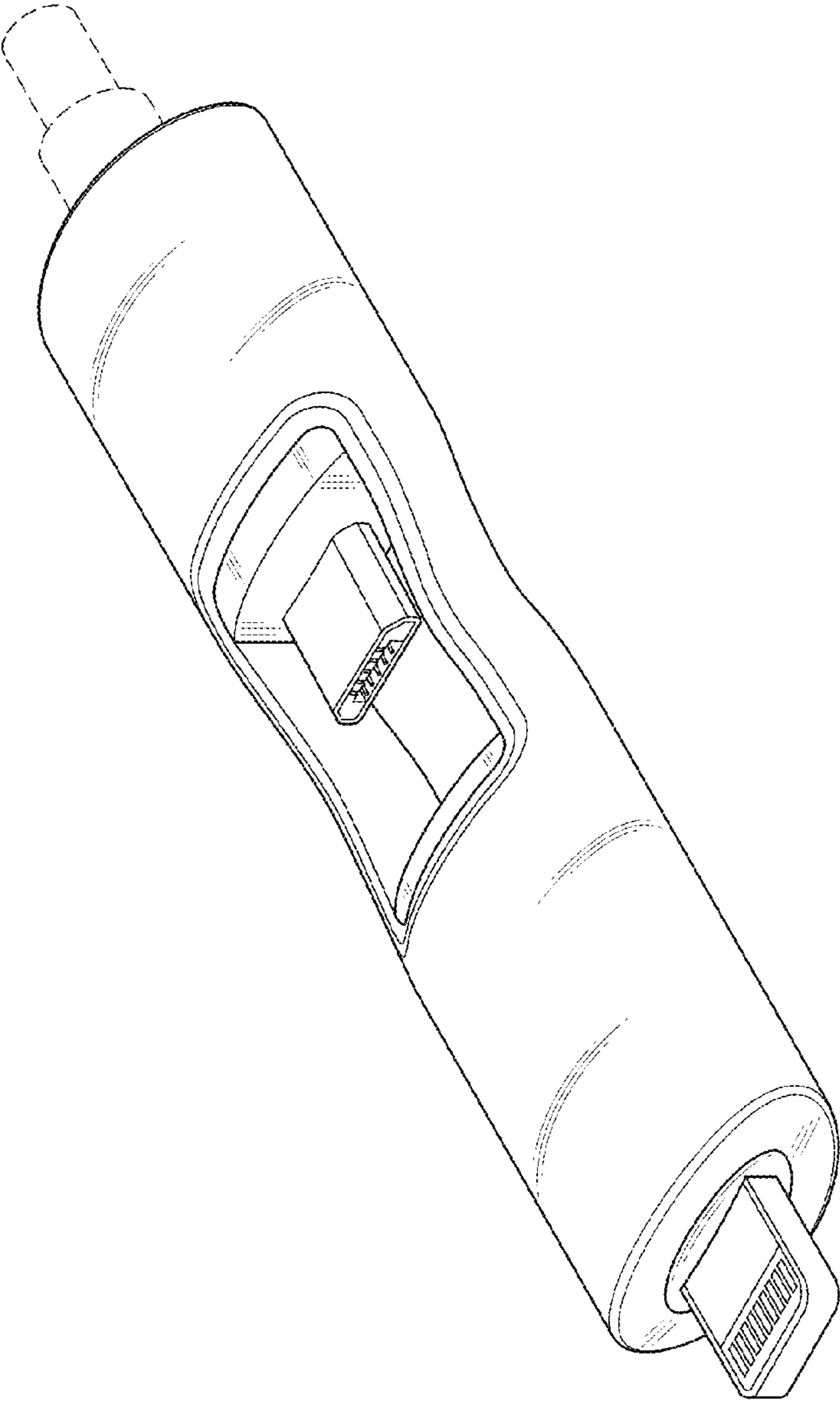


FIG.8

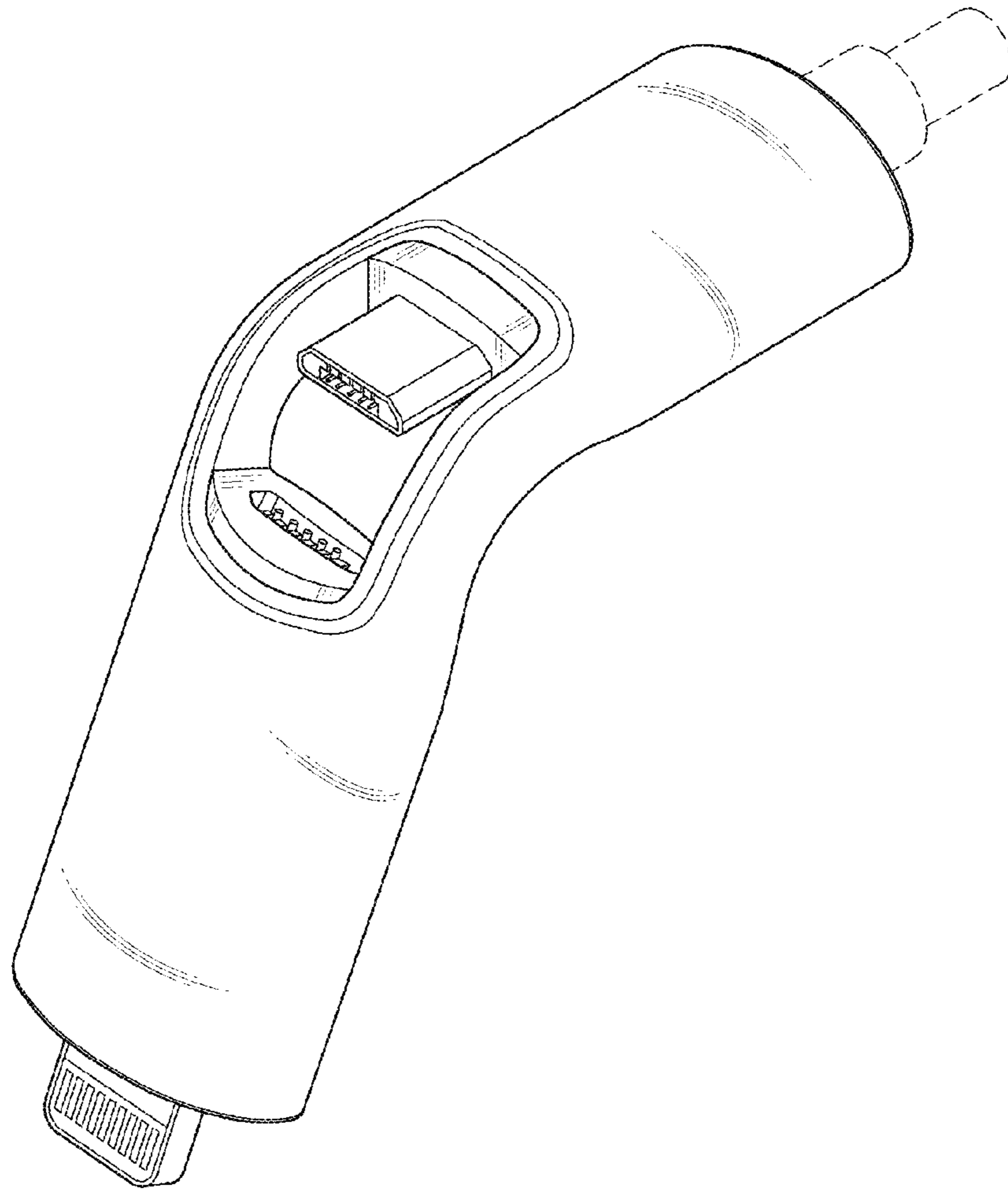


FIG.9

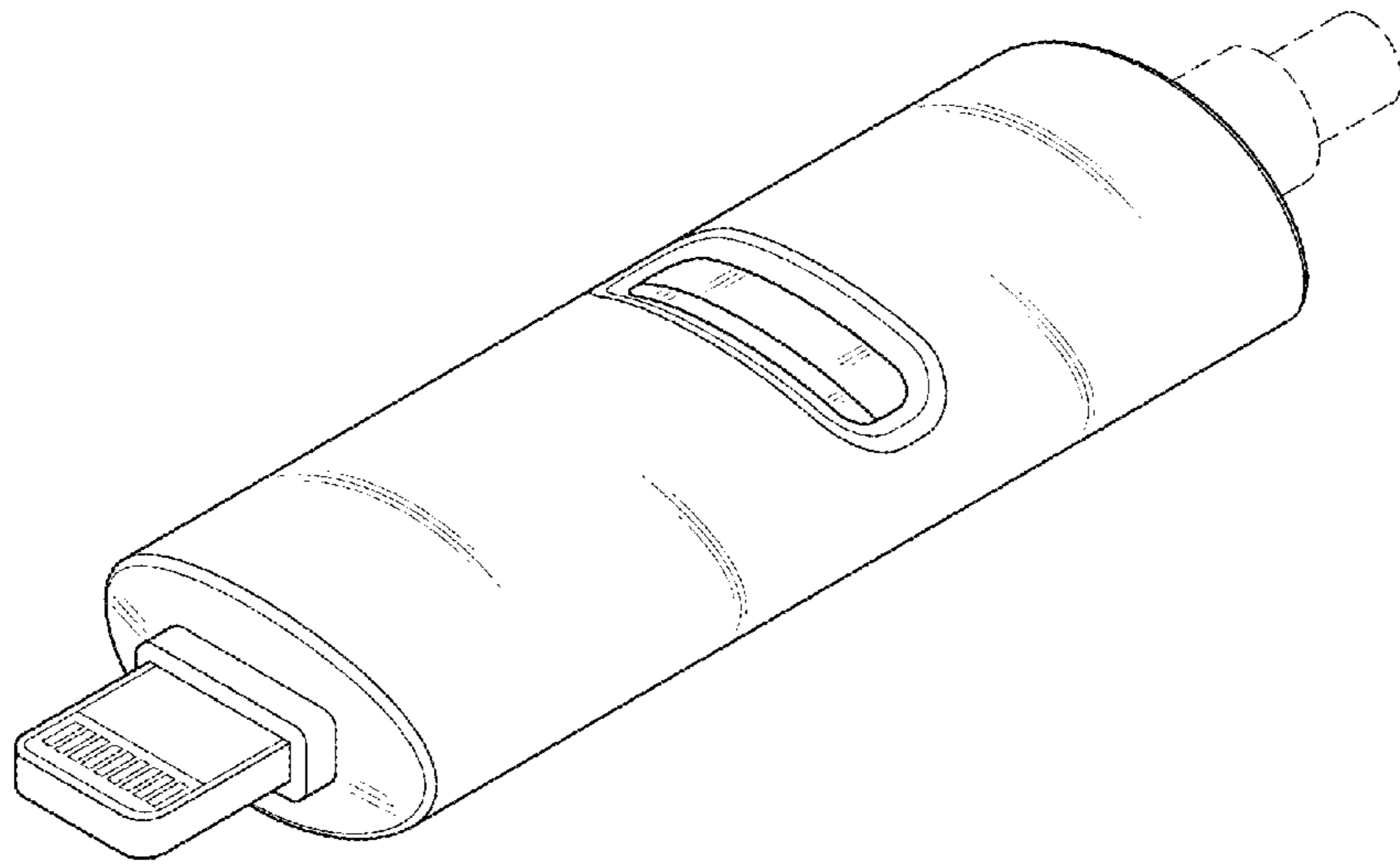


FIG.10

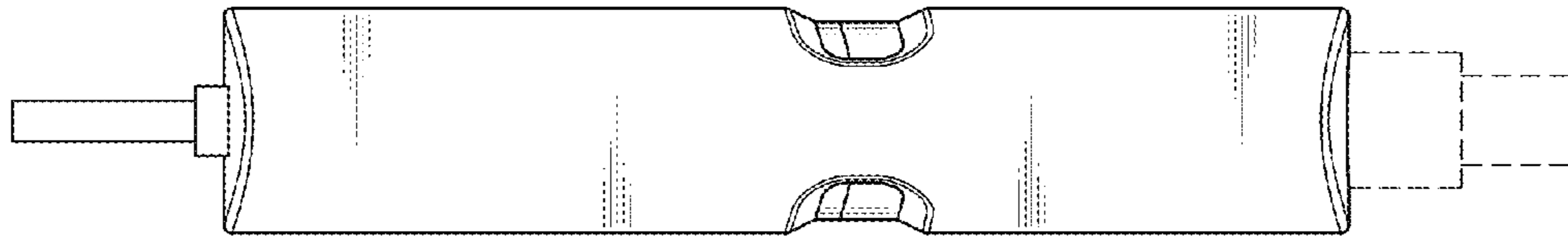


FIG. 11

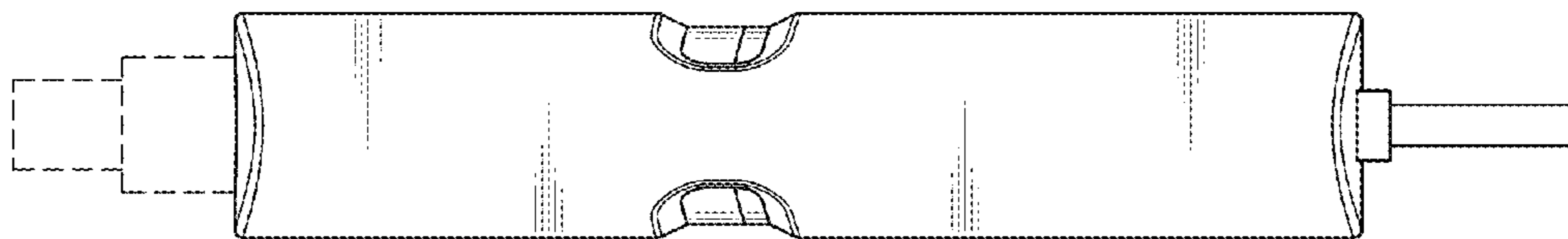


FIG. 12

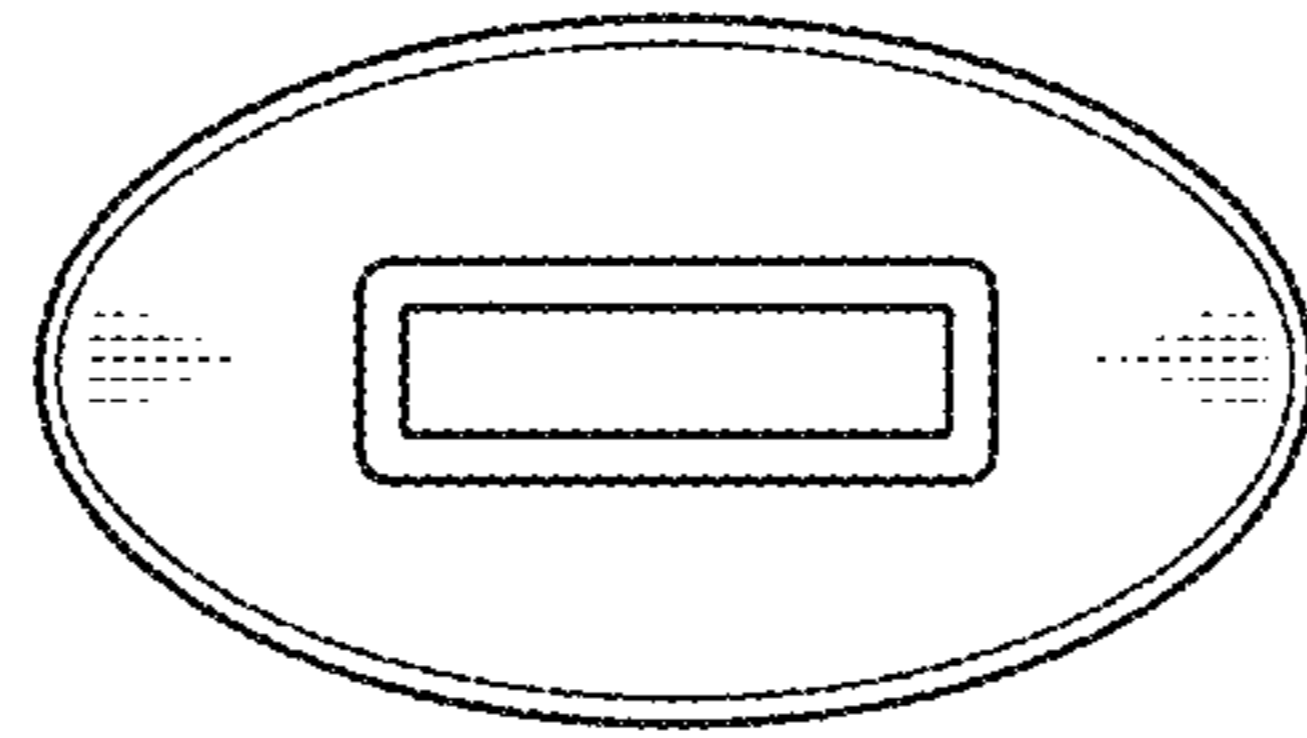


FIG. 13

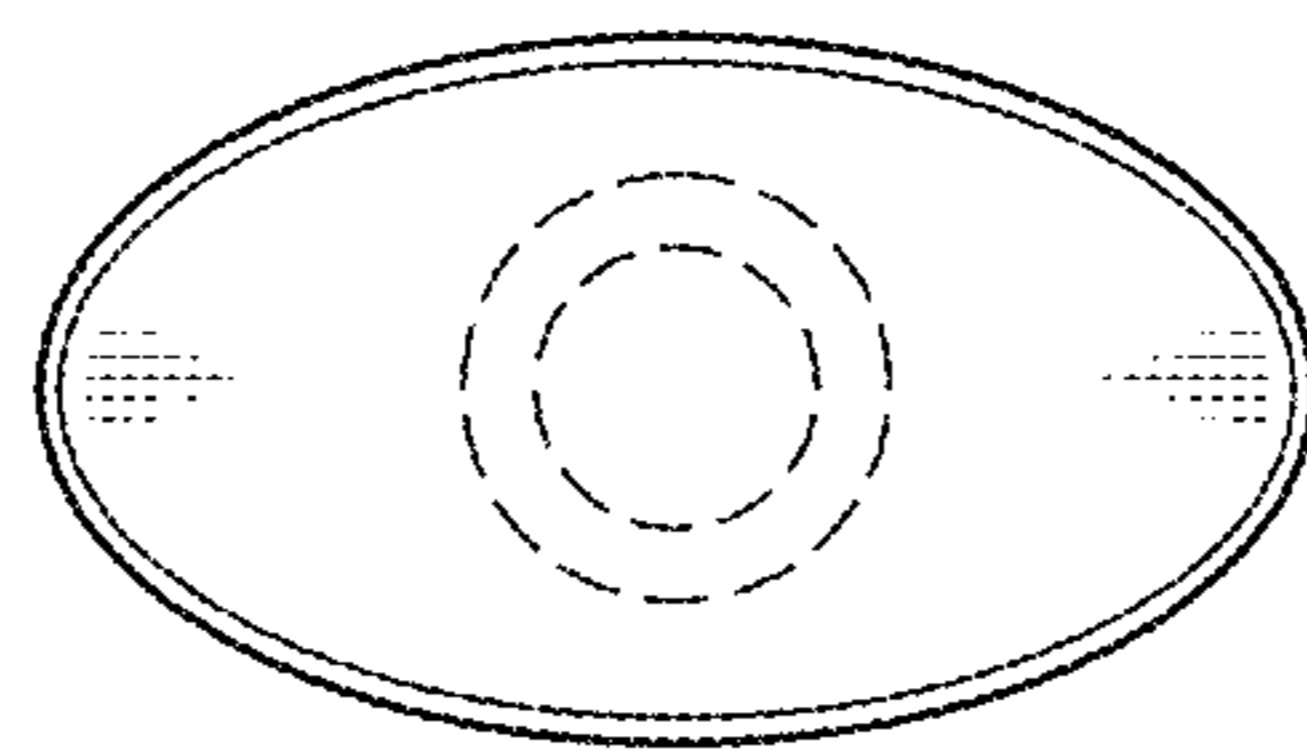


FIG. 14

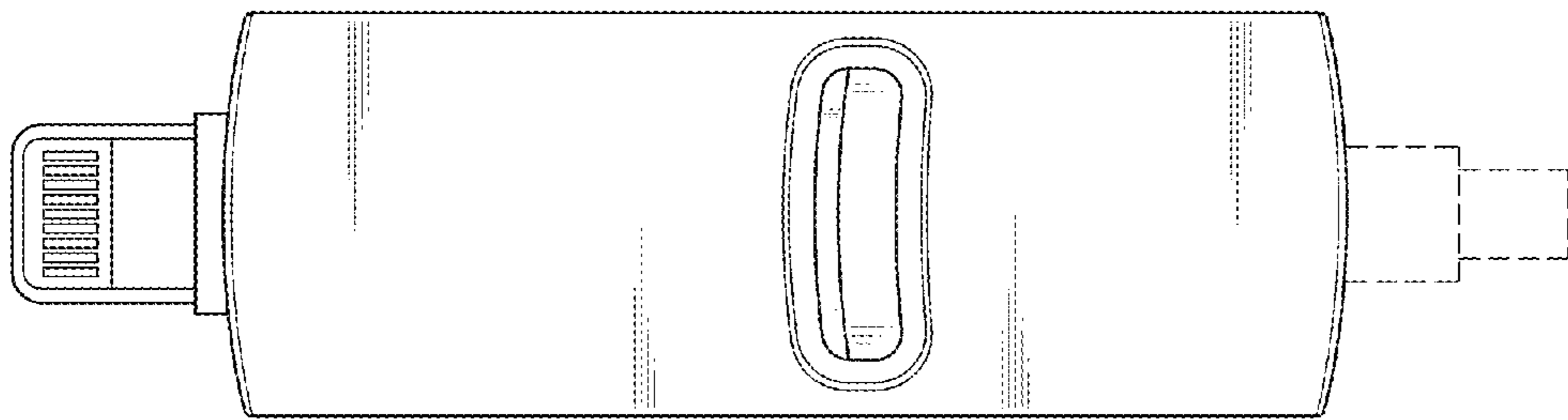


FIG.15

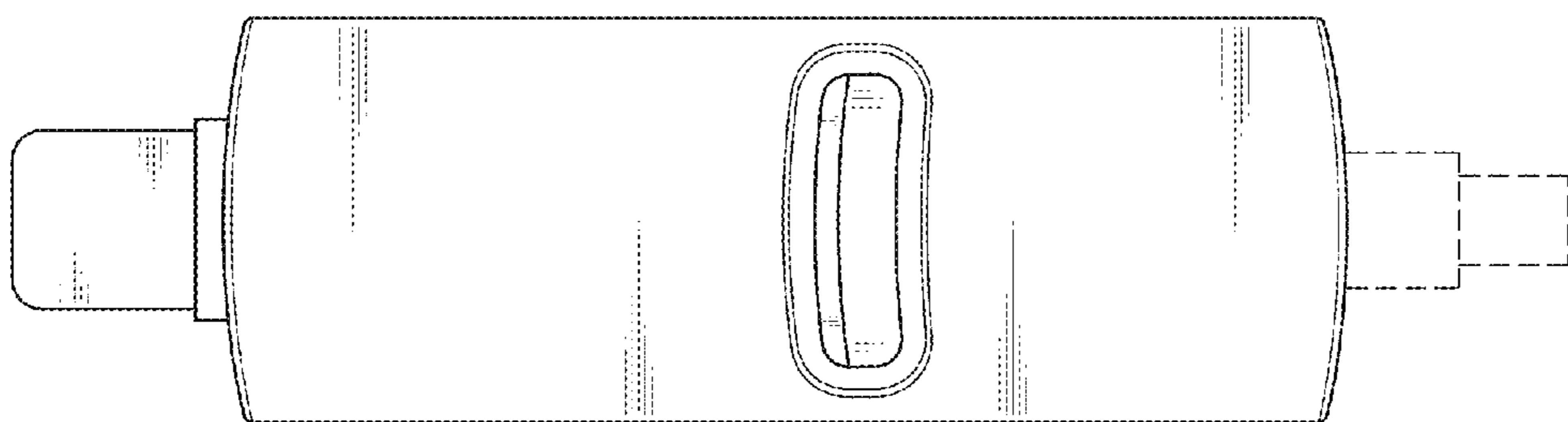


FIG.16

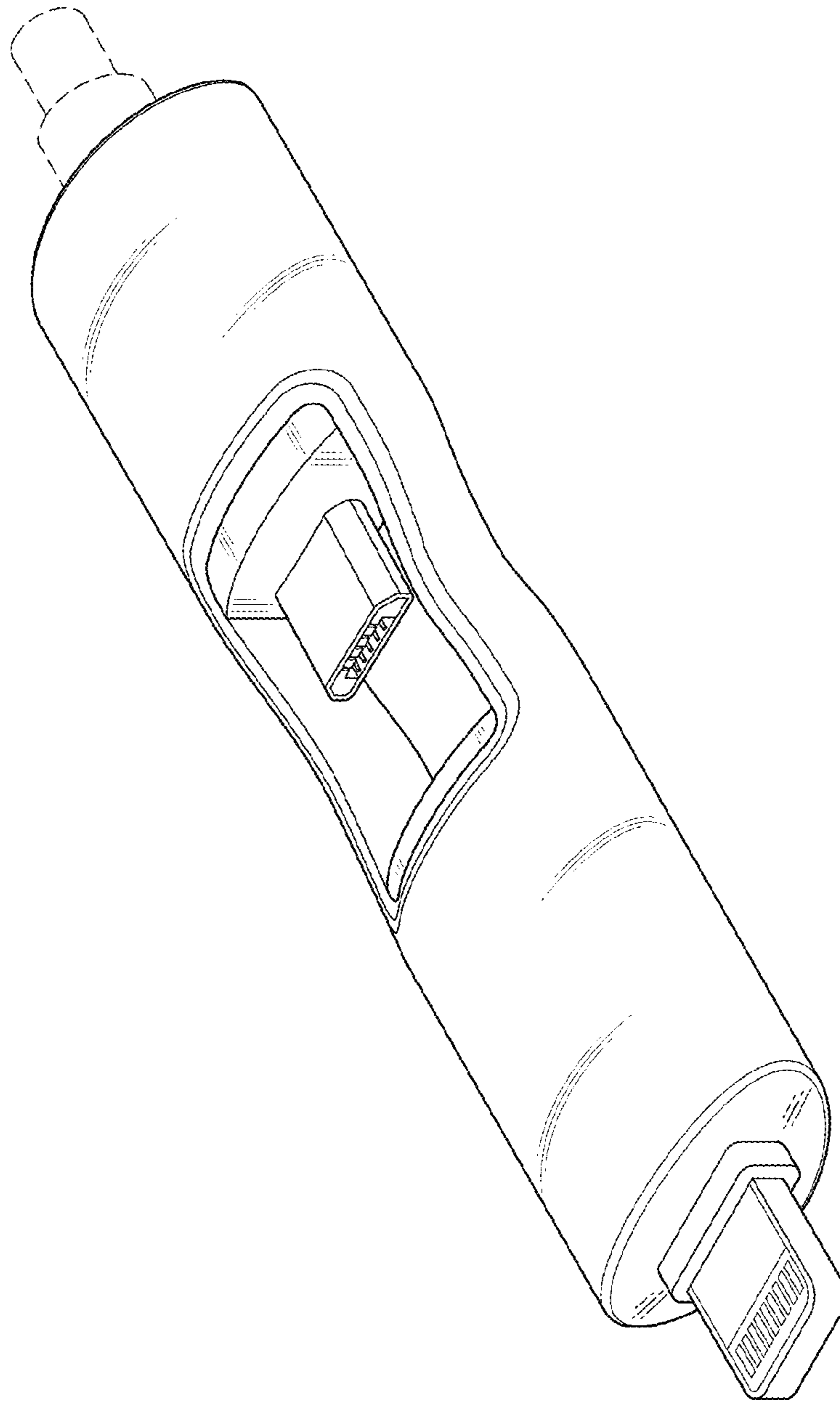


FIG.17

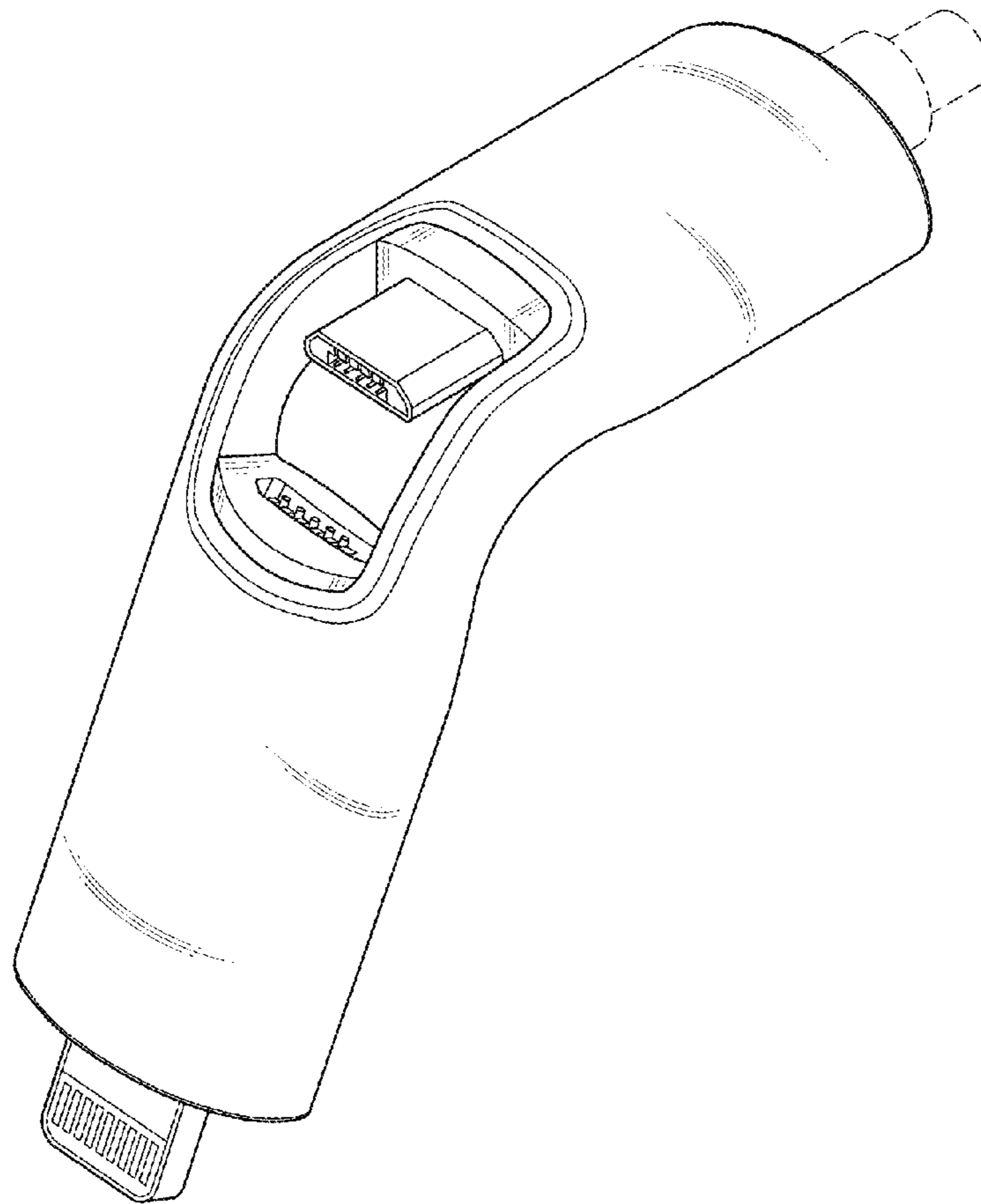


FIG.18