



US00D760656S

(12) **United States Design Patent**  
**Murphy et al.**

(10) **Patent No.:** **US D760,656 S**  
(45) **Date of Patent:** **\*\* Jul. 5, 2016**

(54) **BUSBAR**

(71) Applicant: **General Electric Company,**  
Schenectady, NY (US)

(72) Inventors: **Mark Allen Murphy,** Erie, PA (US);  
**Henry Todd Young,** Erie, PA (US);  
**Jason Daniel Kuttenkuler,** Erie, PA  
(US); **Jeffrey John Wolff,** Lawrence  
Park, PA (US); **Sean Patrick Cillessen,**  
Lawrence Park, PA (US); **Aiqin Jiang,**  
Shanghai (CN)

(73) Assignee: **General Electric Company,**  
Schenectady, NY (US)

(\*\*) Term: **14 Years**

(21) Appl. No.: **29/510,169**

(22) Filed: **Nov. 25, 2014**

(51) **LOC (10) Cl.** ..... **13-03**

(52) **U.S. Cl.**  
USPC ..... **D13/147; D13/154**

(58) **Field of Classification Search**  
USPC ..... **D13/146, 147, 154, 184, 199**  
See application file for complete search history.

(56) **References Cited**

U.S. PATENT DOCUMENTS

D94,298 S *	1/1935	Frank .....	174/68.2
3,012,218 A *	12/1961	Cataldo .....	H02G 5/002 174/129 B
D313,392 S *	1/1991	Sachs .....	D13/133
D315,548 S *	3/1991	Kozono .....	D13/146
D404,707 S *	1/1999	Awbrey .....	D13/133
D647,055 S *	10/2011	Sakae .....	D13/120

\* cited by examiner

*Primary Examiner* — Daniel Bui

(74) *Attorney, Agent, or Firm* — GE Global Patent Operation

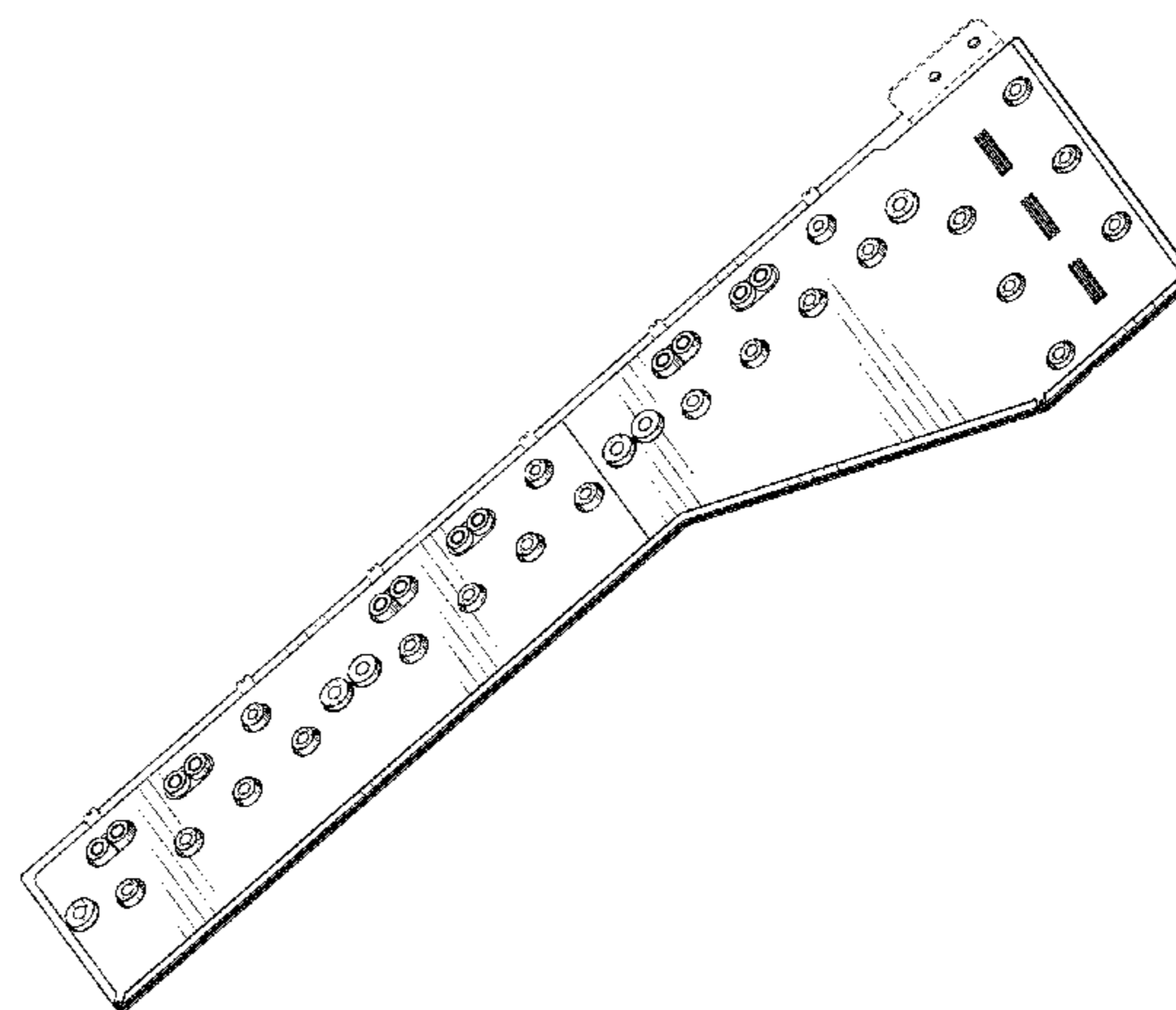
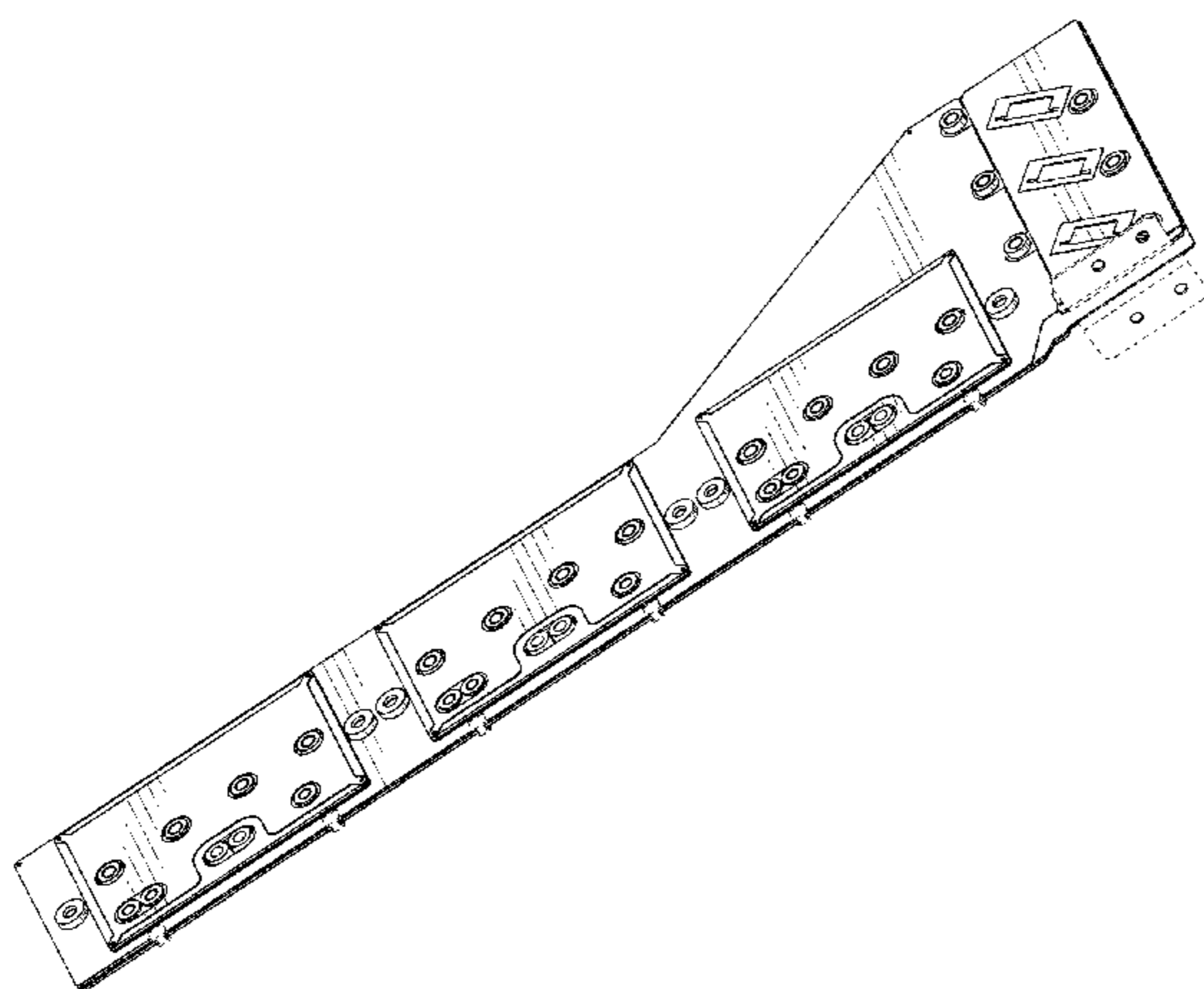
(57) **CLAIM**

The ornamental design for a busbar, as shown and described.

**DESCRIPTION**

FIG. 1 is a perspective view of a busbar showing our new design;  
FIG. 2 is a top plan view thereof;  
FIG. 3 is a bottom plan view thereof;  
FIG. 4 is a front view thereof;  
FIG. 5 is a rear view thereof;  
FIG. 6 is a side view thereof;  
FIG. 7 is an opposite side view thereof; and,  
FIG. 8 is an additional perspective view thereof.  
The broken line portion of the figure drawings is included to show unclaimed subject matter only and forms no part of the claimed designs.

**1 Claim, 5 Drawing Sheets**



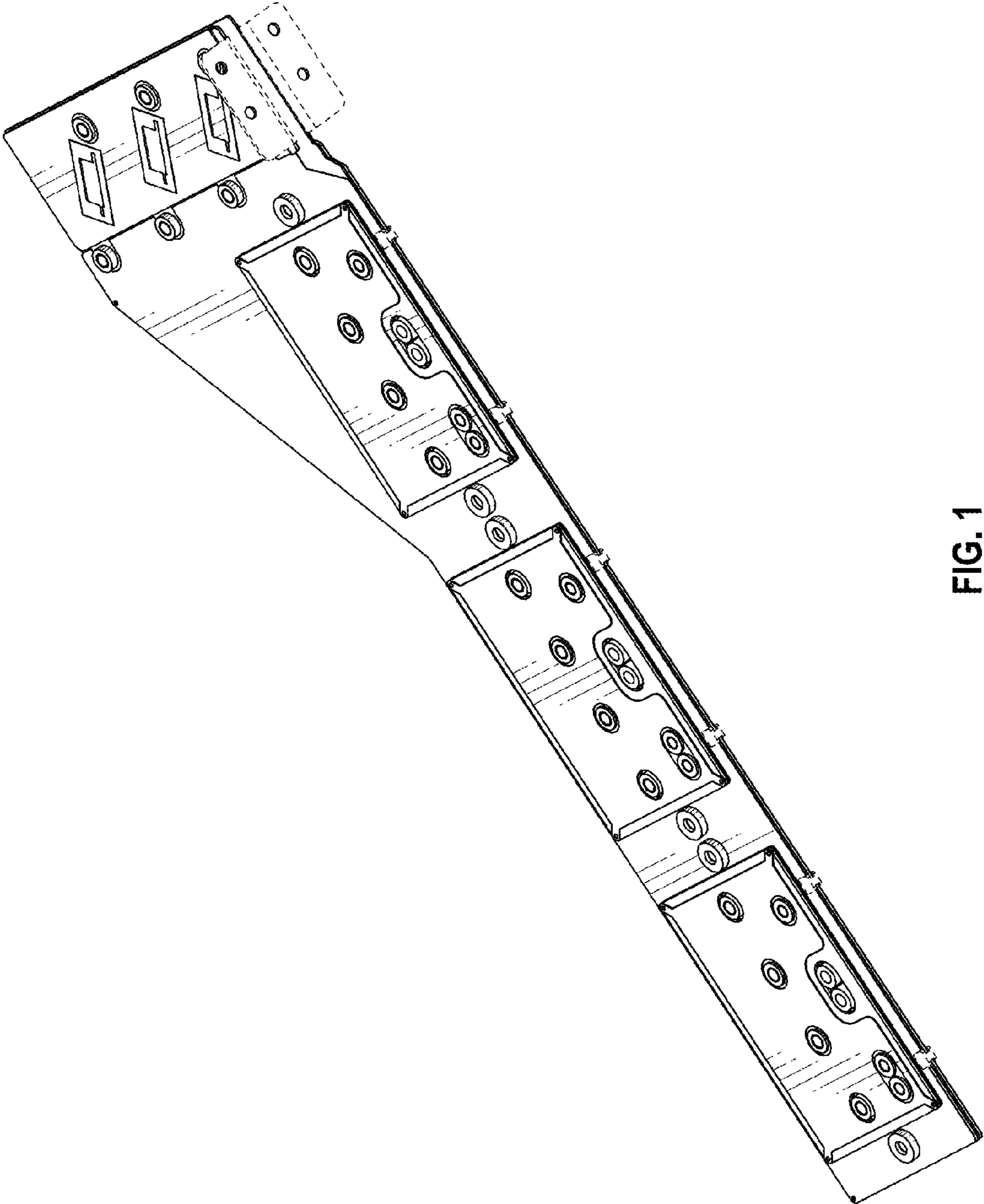


FIG. 1

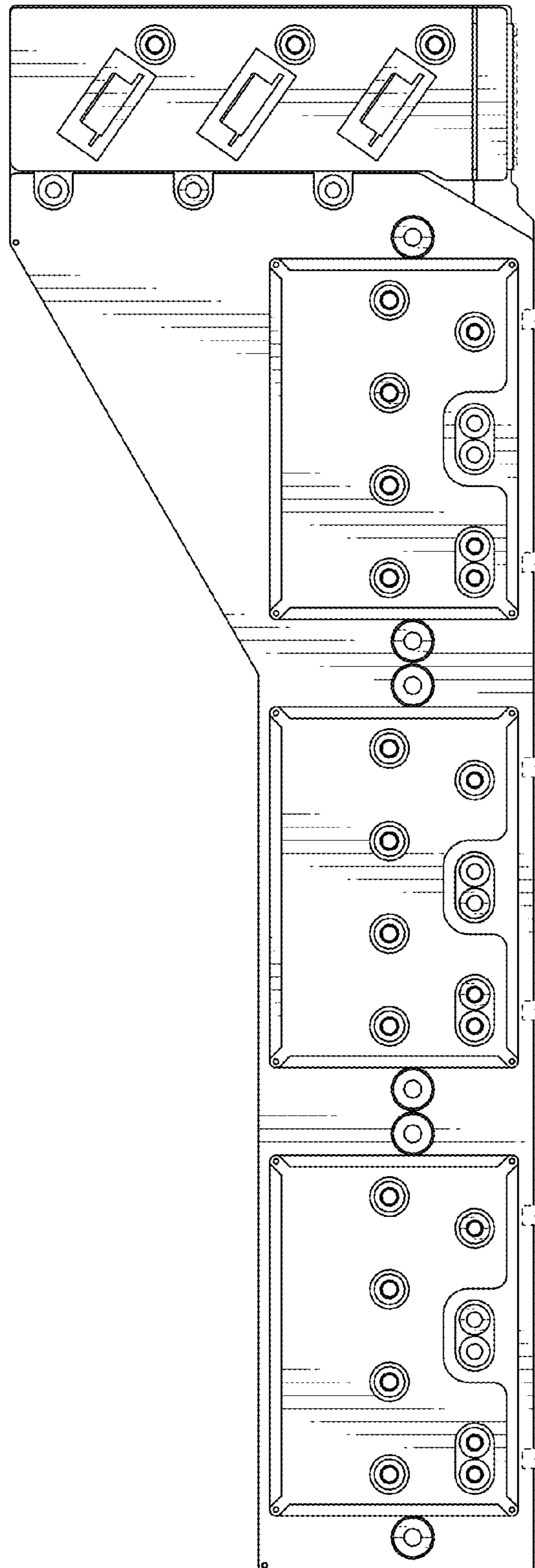


FIG. 2

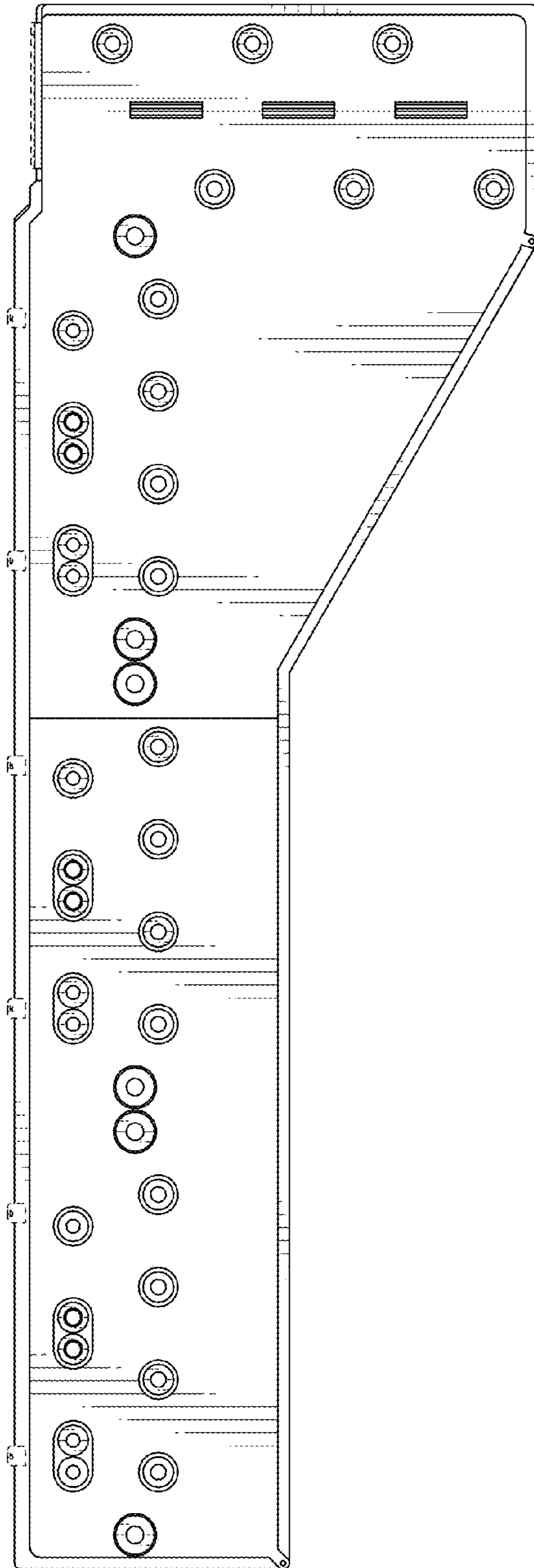


FIG. 3

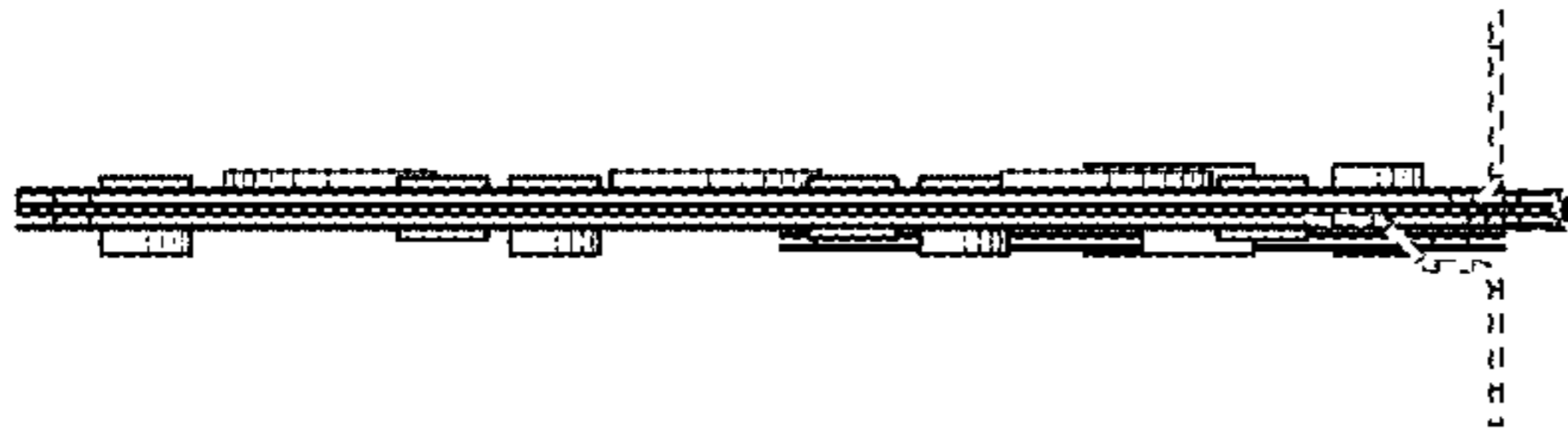


FIG. 4

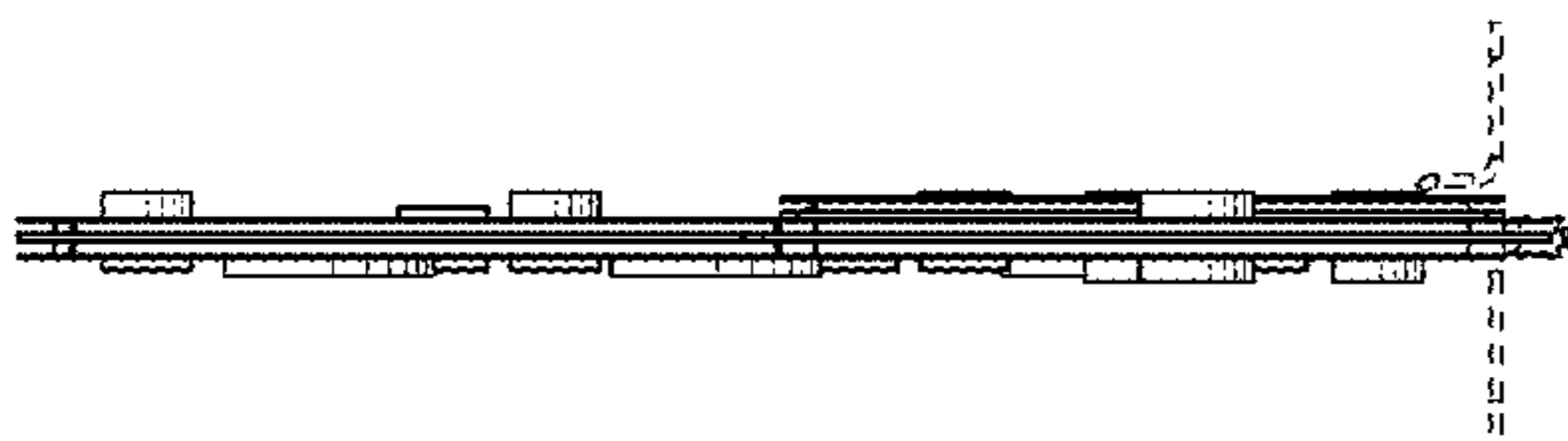


FIG. 5

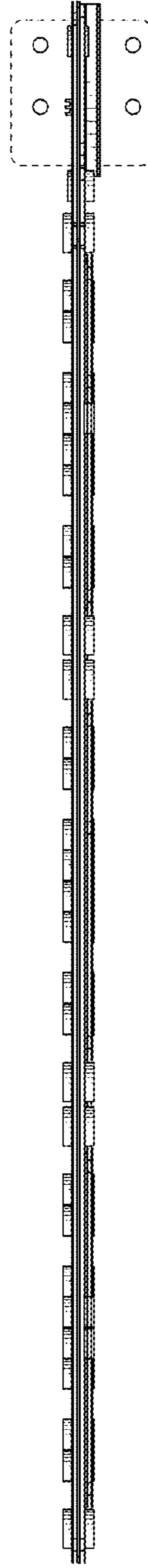


FIG. 6

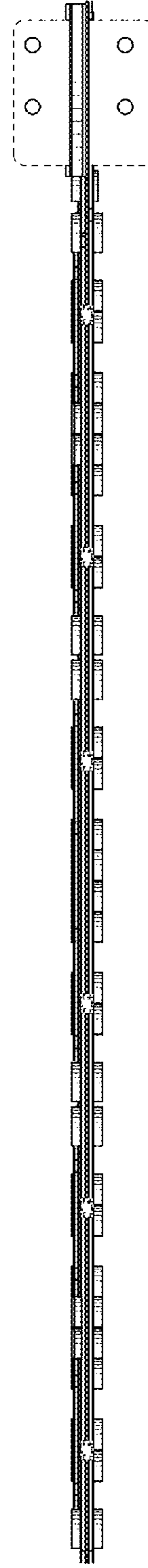


FIG. 7

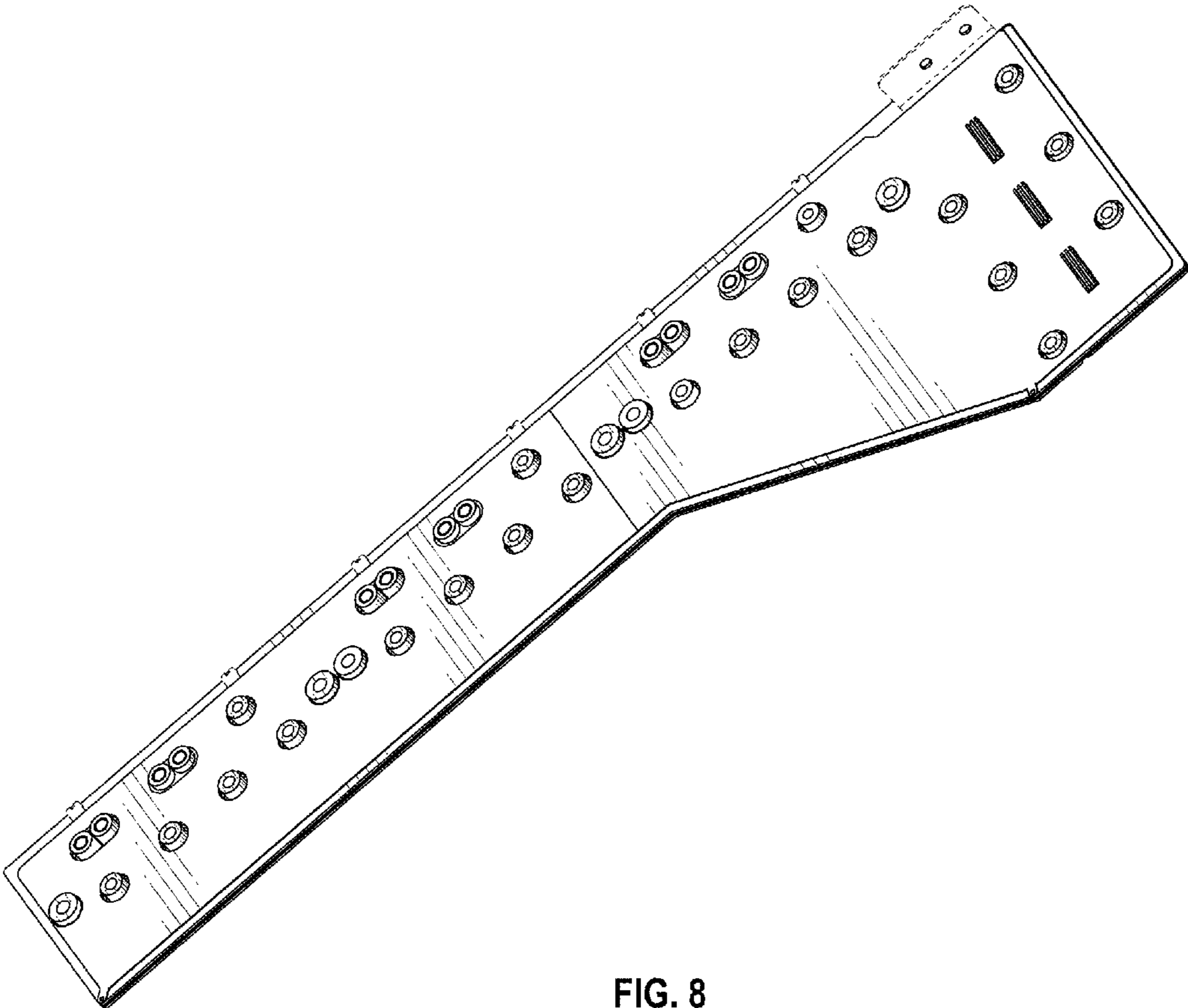


FIG. 8