



US00D760653S

(12) **United States Design Patent**
Lorino

(10) **Patent No.:** **US D760,653 S**
(45) **Date of Patent:** **** Jul. 5, 2016**

(54) **BATTERY BASKET**

(71) Applicant: **Gerald J. Lorino**, Manahawkin, NJ
(US)

(72) Inventor: **Gerald J. Lorino**, Manahawkin, NJ
(US)

(**) Term: **14 Years**

(21) Appl. No.: **29/502,882**

(22) Filed: **Sep. 19, 2014**

(51) **LOC (10) Cl.** **13-02**

(52) **U.S. Cl.**
USPC **D13/119**

(58) **Field of Classification Search**
USPC 429/96, 97, 98, 99, 100, 121, 123, 163,
429/170, 176, 187; D14/414, 415, 416,
D14/417, 418, 419, 420, 421, 422, 423, 424,
D14/425, 426, 427, 428, 429, 430, 431, 432,
D14/433, 434, 435, 436, 437, 438, 439, 440,
D14/441, 442, 443, 444, 445, 446, 447, 448,
D14/449, 450, 451, 452, 453, 454, 455;
D13/101, 102, 103, 107, 108, 119, 123,
D13/184, 199; D12/45, 317, 345, 106, 114,
D12/117, 425, 159, 213, 220, 223;
180/207.3, 58, 312; 294/86.42, 142,
294/152, 153, 154, 156; 903/951, 952;
439/2, 35, 904; D9/29, 315, 156, 235,
D9/320, 710; 29/623.1, 623.5; 315/291;
156/221; 235/380, 479, 486, 492
CPC . H01M 2/1005; H01M 2/1027; H01M 16/00;
H01M 2/10
See application file for complete search history.

(56) **References Cited**
U.S. PATENT DOCUMENTS

3,042,442 A 7/1962 Schukraft
4,376,502 A * 3/1983 Cohen 224/411
D320,160 S * 9/1991 Brown D9/416
5,144,719 A 9/1992 Arthur

5,242,769 A 9/1993 Cole et al.
D343,795 S * 2/1994 Verchere D9/425
5,372,899 A * 12/1994 Kuipers et al. 429/187
D355,765 S * 2/1995 Miller D3/318
5,440,785 A * 8/1995 McDonald 16/423
D366,397 S * 1/1996 Zimmerman D7/629
D371,305 S * 7/1996 Kruger D9/435
5,637,420 A * 6/1997 Jones et al. 429/187
5,863,056 A * 1/1999 Hostetter 280/47.371
5,934,472 A * 8/1999 Ramirez et al. 206/557
D420,859 S * 2/2000 Loew et al. D7/602
D429,640 S * 8/2000 Nielsen et al. D9/435

(Continued)

OTHER PUBLICATIONS

“Honda CB750K CB750 CB750 750K 1979 battery box holder”
Accessed: Nov. 19, 2015. eBay. http://www.ebay.com/itm/Honda-CB750K-CB750-CB-750-750K-1979-battery-box-holder-/370654513374.*

(Continued)

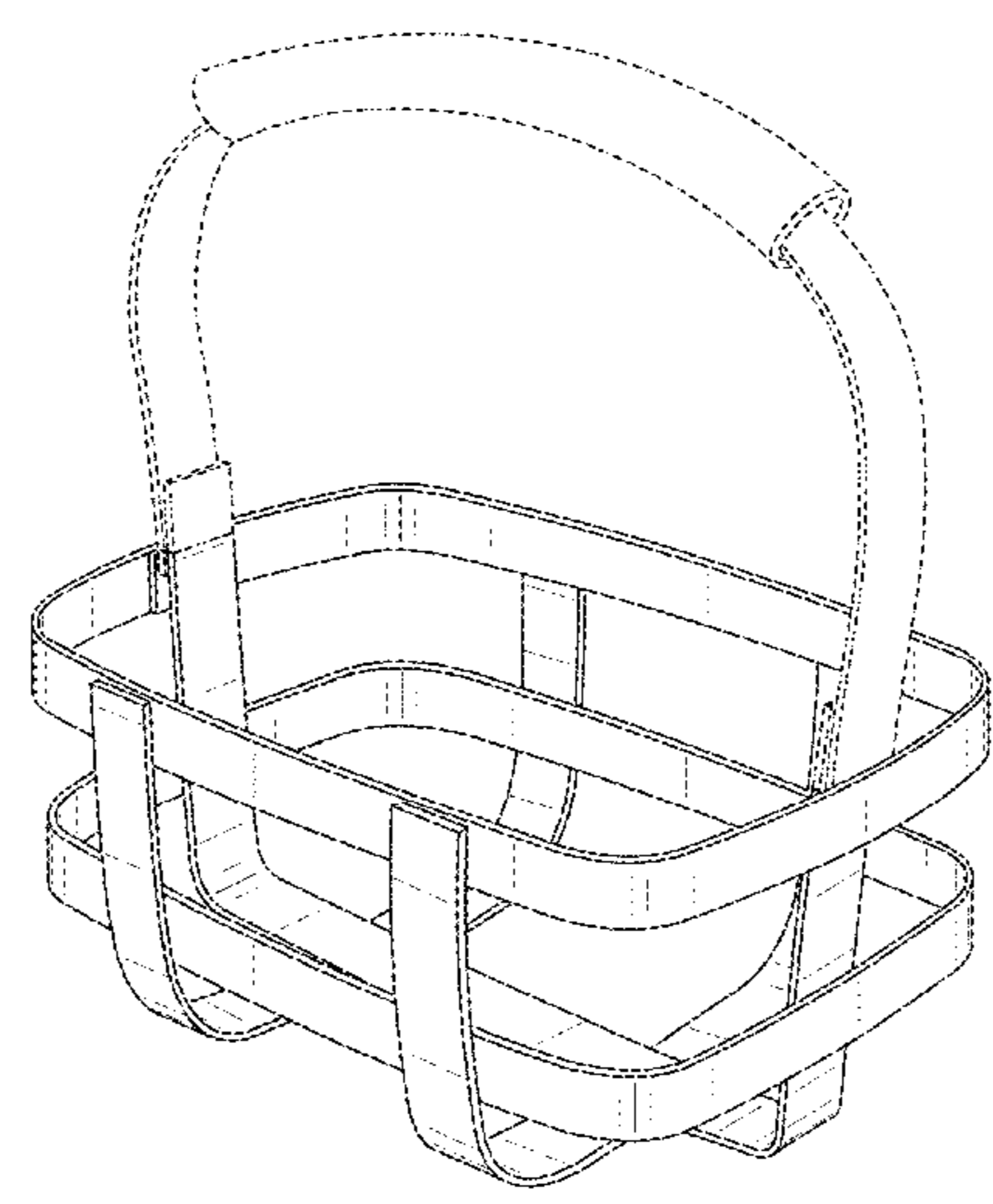
Primary Examiner — Manpreet Matharu
Assistant Examiner — Suzanne Tisdale
(74) *Attorney, Agent, or Firm* — K&L Gates LLP

(57) **CLAIM**
The ornamental design for a battery basket, as shown and described.

DESCRIPTION

FIG. 1 illustrates a perspective view of a battery basket;
FIG. 2 illustrates a right side elevation view thereof;
FIG. 3 illustrates a left side elevation view thereof;
FIG. 4 illustrates a front elevation view thereof;
FIG. 5 illustrates a back elevation view thereof;
FIG. 6 illustrates a top plan view thereof;
FIG. 7 illustrates a bottom plan view thereof; and,
FIG. 8 illustrates a perspective view of the battery basket of FIG. 1 including a battery therein as environmental structure. The broken lines depict environment or portions of the battery basket that form no part of the claimed design.

1 Claim, 8 Drawing Sheets



(56)

References Cited

U.S. PATENT DOCUMENTS

6,117,588 A * 9/2000 Campbell et al. 429/187
 6,153,331 A * 11/2000 Brantley et al. 429/187
 6,177,211 B1 1/2001 Lawrence
 6,193,293 B1 * 2/2001 Ybanez 294/152
 6,428,927 B1 8/2002 Kump et al.
 6,464,340 B2 * 10/2002 Silverbrook 347/54
 D469,314 S * 1/2003 Thonis et al. D7/602
 6,929,882 B1 * 8/2005 Carter 429/187
 D515,939 S * 2/2006 Al Sanea D9/737
 D540,192 S * 4/2007 Darin D9/761
 7,311,343 B2 * 12/2007 Callebresi 294/15
 D561,020 S * 2/2008 Kessell et al. D9/425
 D564,761 S * 3/2008 McGlenn D3/327
 D617,322 S * 6/2010 Takemasa D14/346
 7,789,413 B2 9/2010 Hei et al.
 D627,219 S * 11/2010 Golota et al. D9/424
 7,836,556 B1 11/2010 Medeiros
 7,841,635 B2 * 11/2010 Fuchs 294/150
 D628,475 S * 12/2010 Snedden et al. D9/426
 D630,506 S * 1/2011 Short et al. D9/427
 D630,507 S * 1/2011 Short et al. D9/427
 D639,154 S * 6/2011 Chen et al. D9/424
 8,123,236 B1 * 2/2012 Helenihi 280/35
 8,263,257 B2 9/2012 Bielawski et al.
 D671,930 S * 12/2012 Akana et al. D14/250
 D673,937 S * 1/2013 Cheng et al. D14/250
 D674,789 S * 1/2013 Wen D14/250
 D676,056 S * 2/2013 Liang D14/447
 D677,152 S * 3/2013 Miller et al. D9/424
 D678,262 S * 3/2013 Prato D14/250
 D682,673 S * 5/2013 Miller et al. D9/424
 D685,357 S * 7/2013 Rekuc et al. D14/250
 D687,027 S * 7/2013 Melanson et al. D14/250

D696,238 S * 12/2013 Murchison et al. D14/250
 D698,775 S * 2/2014 Huang D14/250
 8,655,422 B2 * 2/2014 Stiehl et al. 455/575.8
 8,660,260 B1 * 2/2014 He 379/451
 D706,255 S * 6/2014 Akana et al. D14/250
 D708,066 S * 7/2014 Peacock et al. D9/542
 D712,697 S * 9/2014 Stamper et al. D7/392.1
 D714,295 S * 9/2014 Fujioka D14/440
 8,844,991 B2 * 9/2014 Myers 294/157
 D716,312 S * 10/2014 Fujioka D14/440
 8,879,245 B2 * 11/2014 Kim 361/679.3
 8,894,282 B2 * 11/2014 Town et al. 383/17
 D720,341 S * 12/2014 Sharudenko D14/250
 D721,357 S * 1/2015 Johnson D14/250
 D722,946 S * 2/2015 Armstrong et al. D12/407
 D730,266 S * 5/2015 Schanz et al. D12/407
 D740,601 S * 10/2015 Carlson D7/391
 D741,167 S * 10/2015 Bouveret et al. D9/425
 2003/0064281 A1 * 4/2003 Andersen et al. 429/121
 2004/0197648 A1 * 10/2004 Sciutto 429/187
 2009/0297933 A1 * 12/2009 Bielawski et al. 429/100

OTHER PUBLICATIONS

“Honda 1980 CB750-C Part Battery Holder” Accessed: Nov. 19, 2015. eBay. <http://www.ebay.com/itm/1980-Honda-CB750-C-Part-Battery-Holder-/301728418846>.
 “#4071 Honda CB750 Battery Box/ Holder” Accessed: Nov. 19, 2015. eBay. <http://www.ebay.com/itm/4071-Honda-CB750-CB-750-Battery-Box-Holder-/131168745077>.
 “Harley Battery Box web style motorcycle 1/5” Last Updated: Sep. 15, 2015. eBay. <http://www.ebay.com/itm/Harley-Battery-Box-web-style-motorcycle-1-5-/181057254245?vxp=mtr&hash=item2a27da7365>.

* cited by examiner

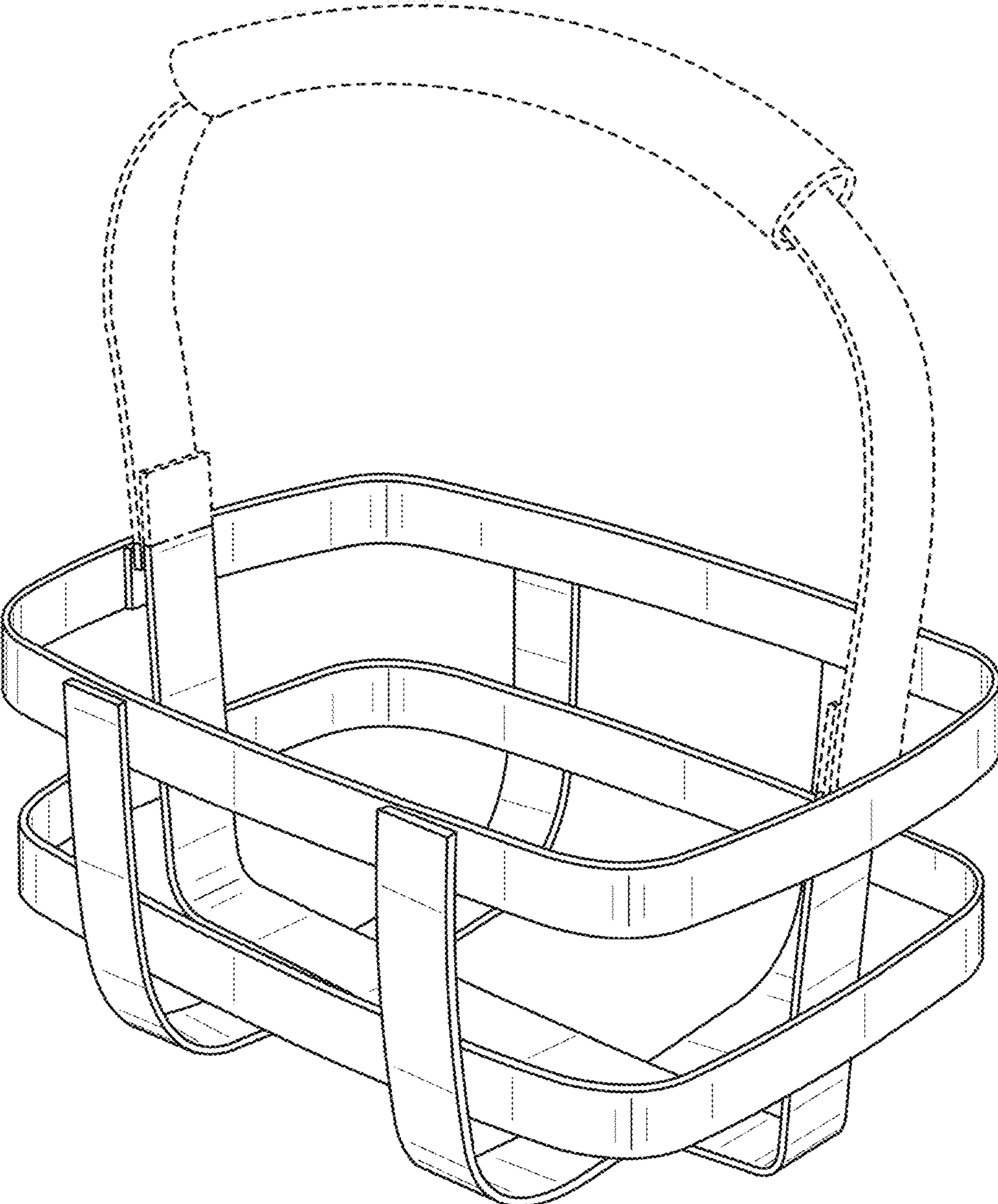


FIG. 1

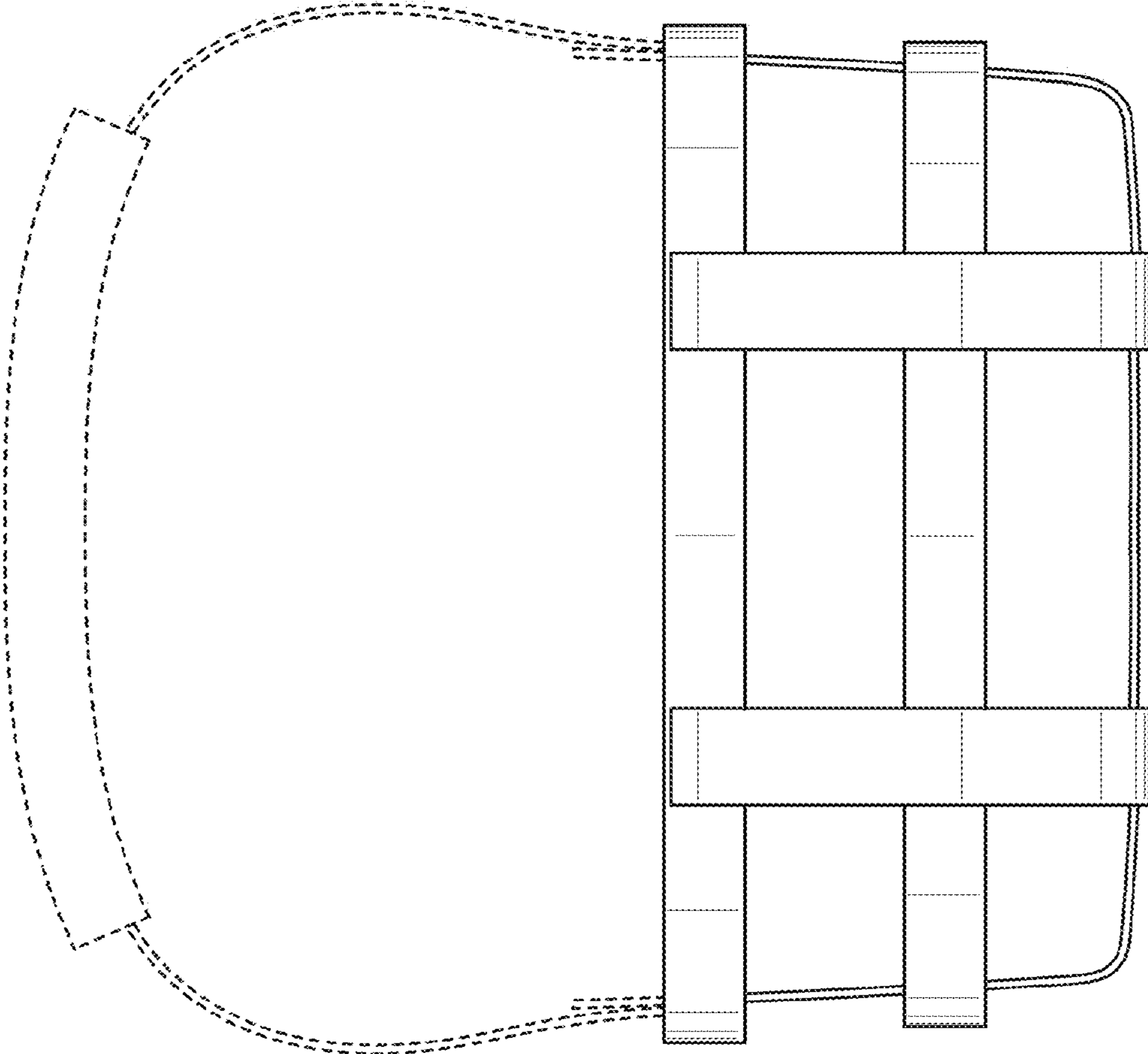


FIG. 2

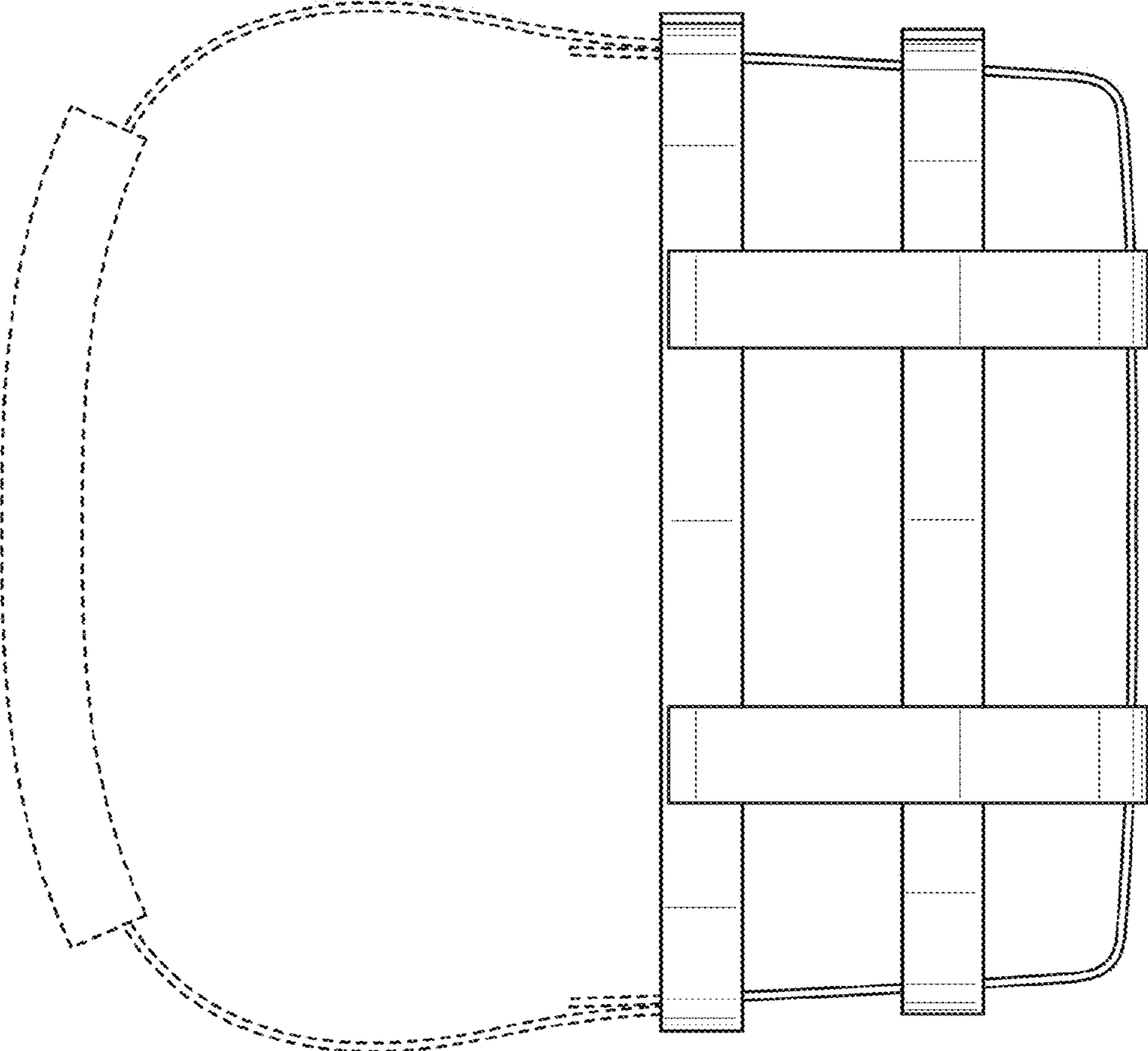


FIG. 3

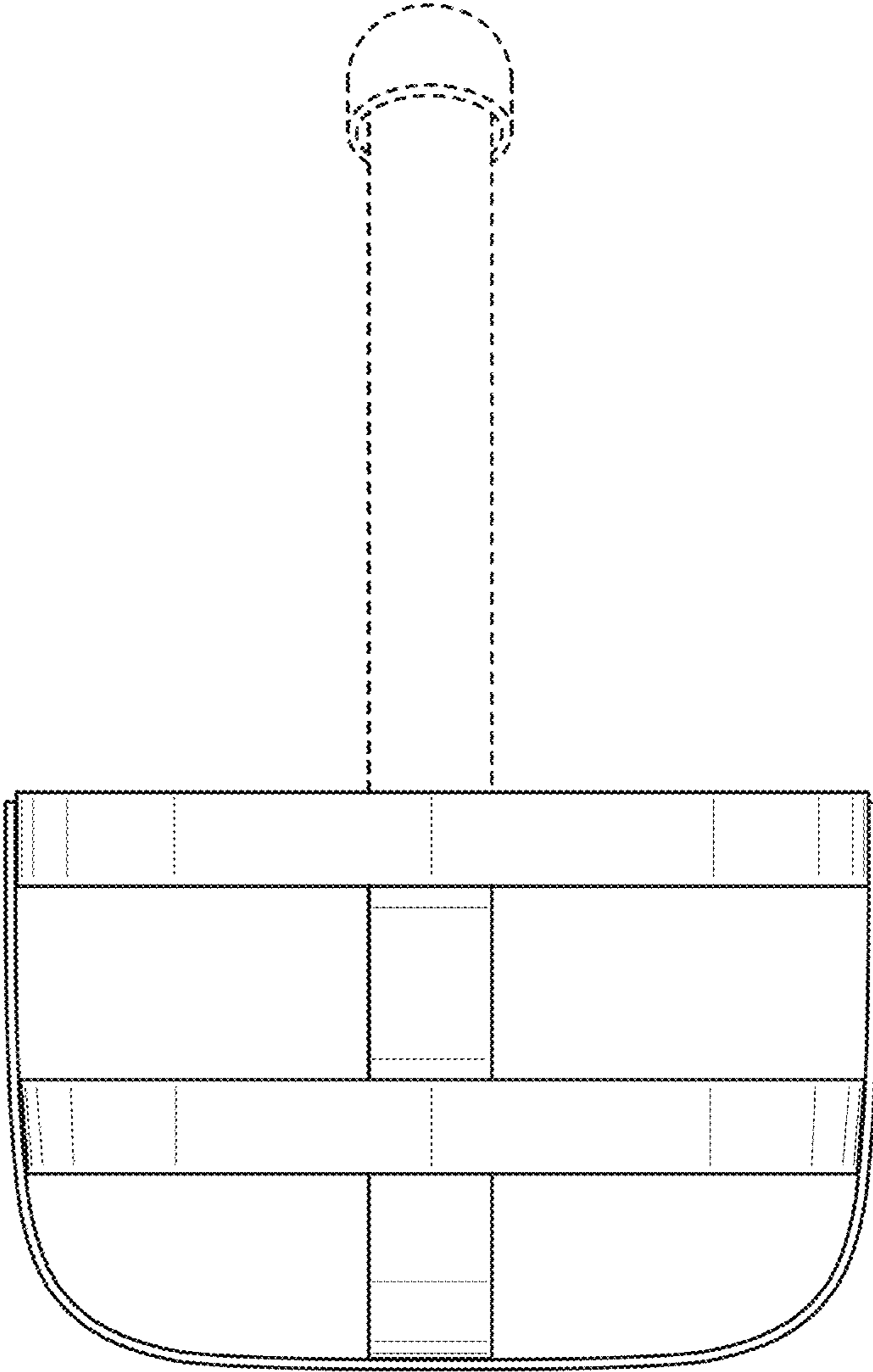


FIG. 4

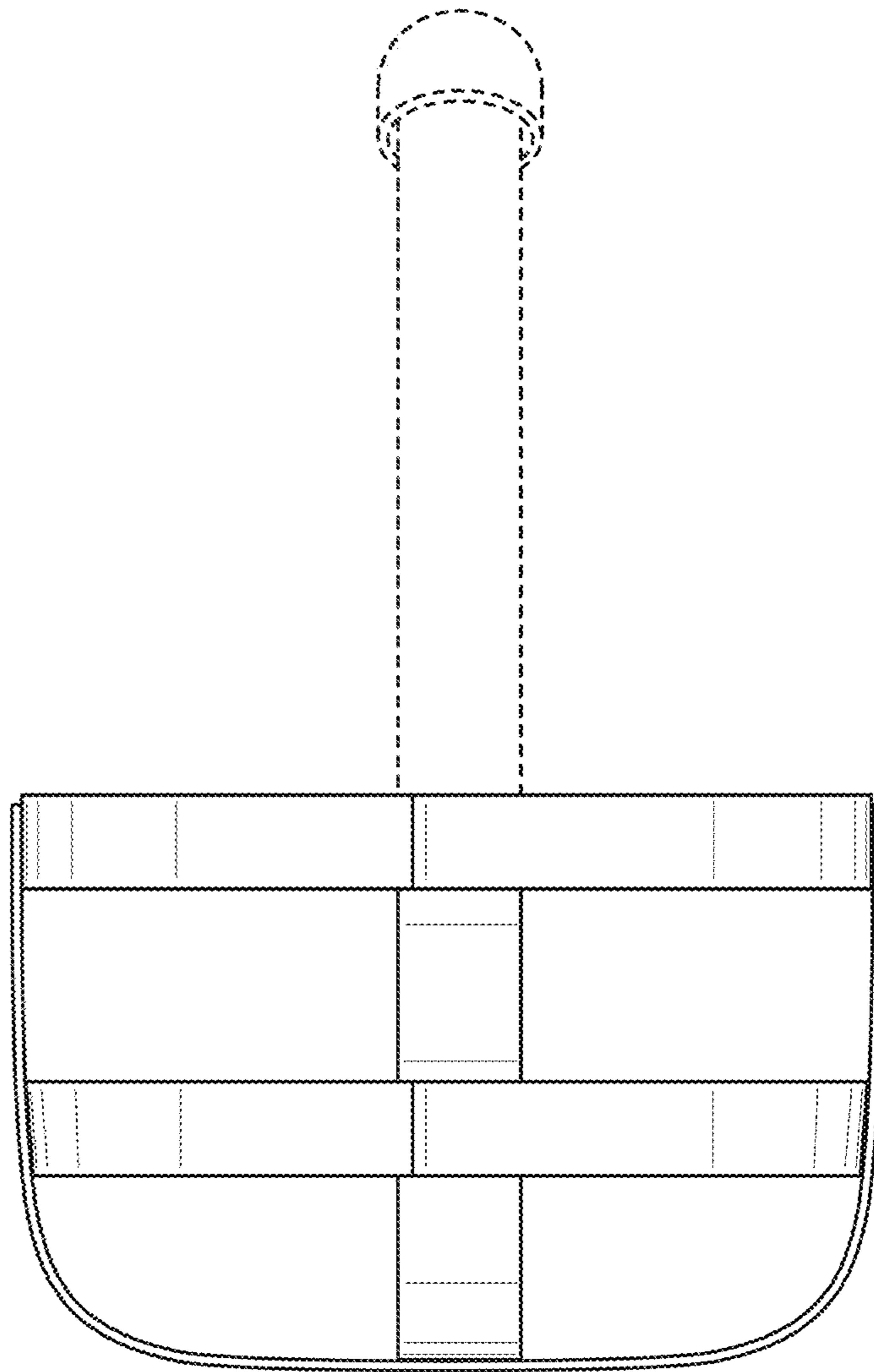


FIG. 5

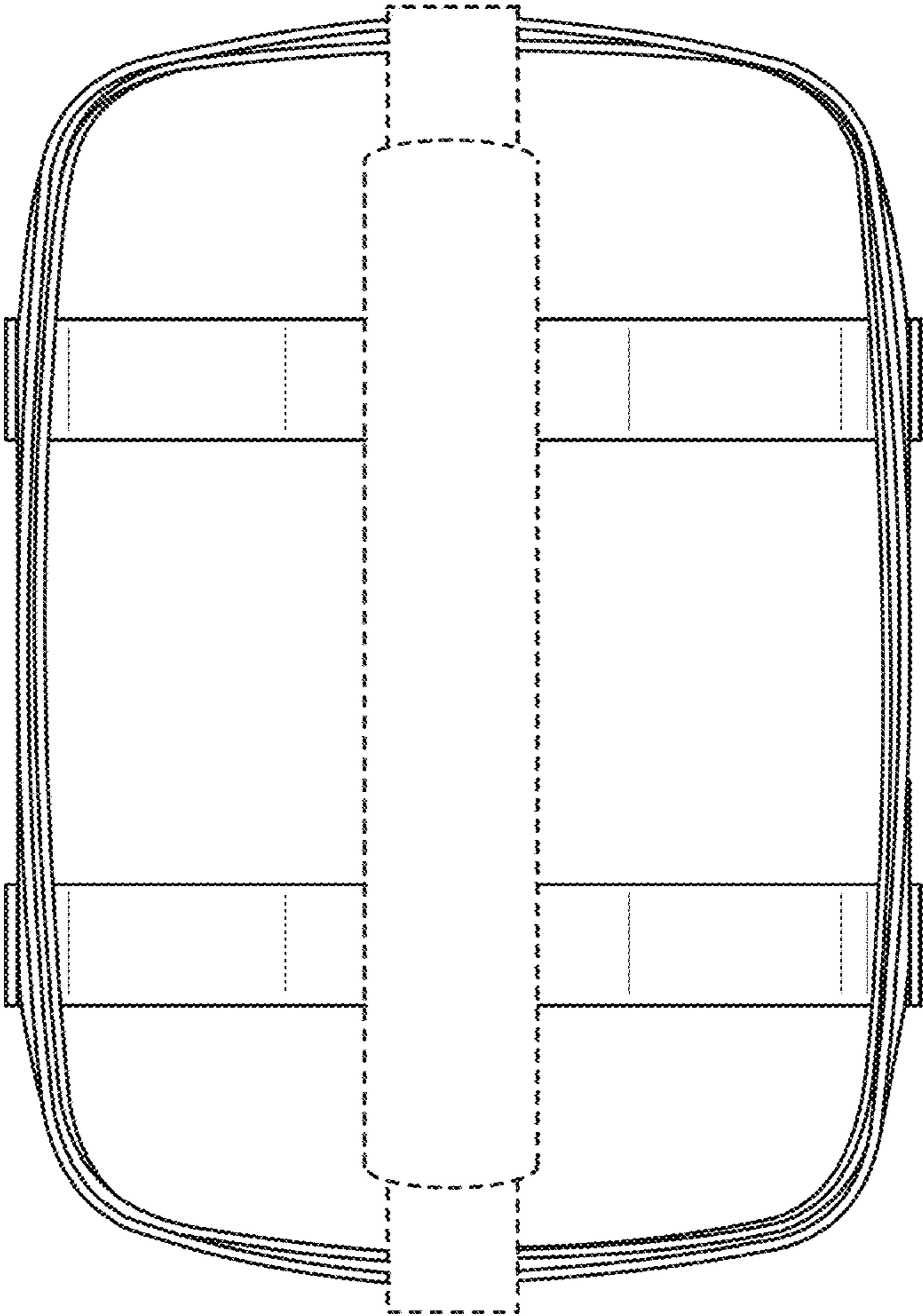


FIG. 6

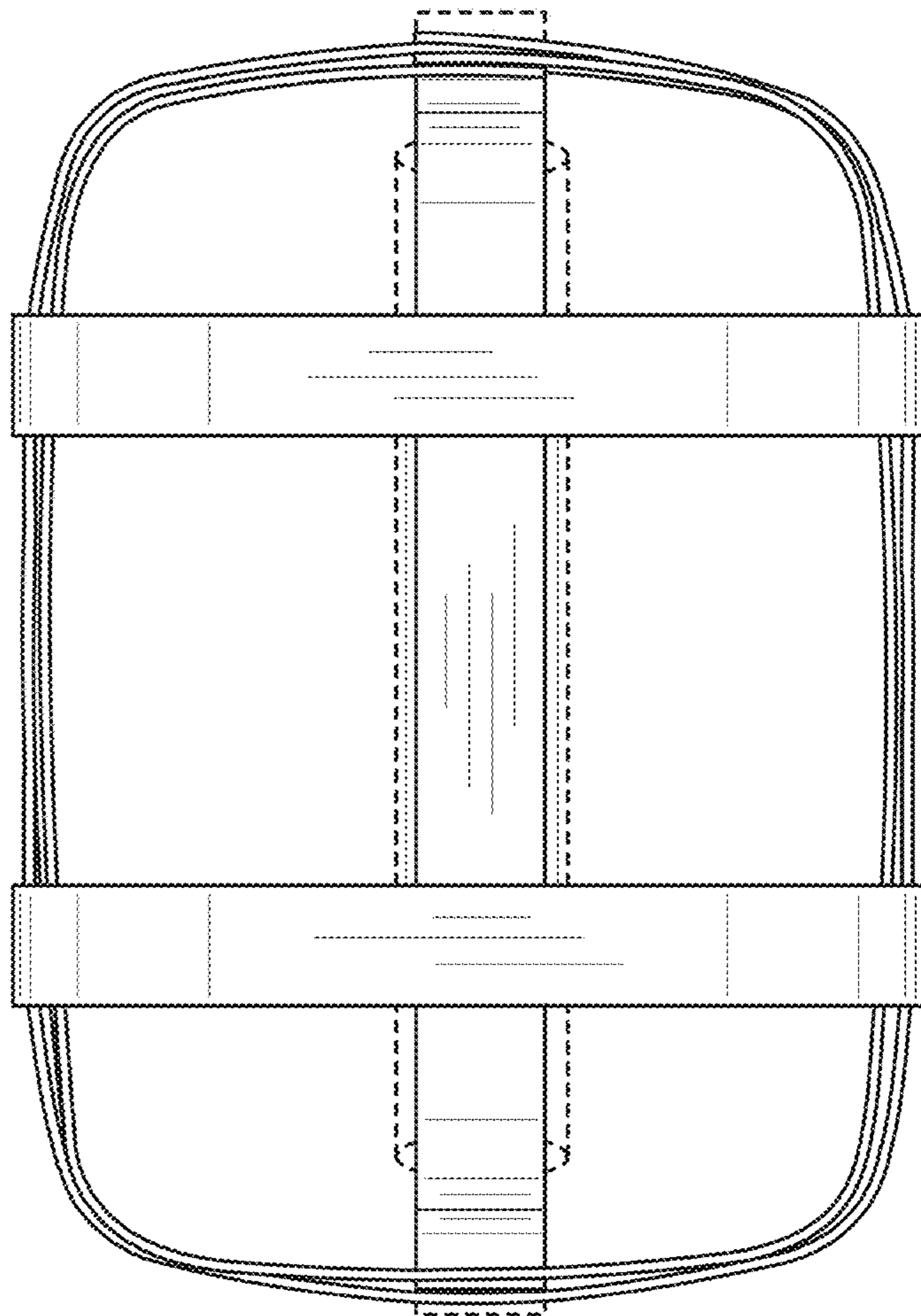


FIG. 7

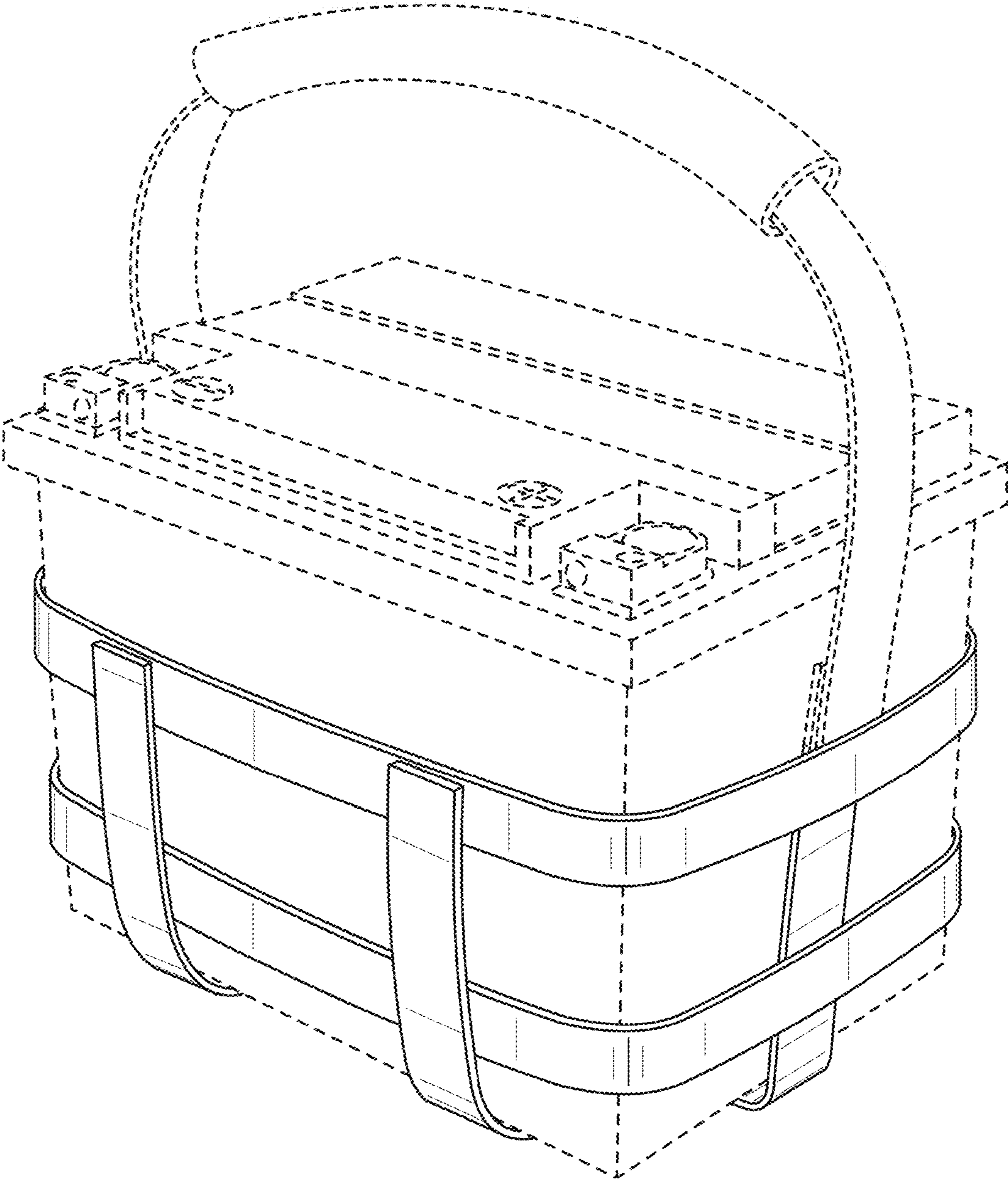


FIG. 8