



US00D760652S

(12) **United States Design Patent**  
**Schmit et al.**

(10) **Patent No.:** **US D760,652 S**  
(45) **Date of Patent:** **\*\* Jul. 5, 2016**

(54) **ELECTRICAL GENERATOR**

(71) Applicant: **Champion Engine Technology, LLC**,  
Sussex, WI (US)

(72) Inventors: **Ian Schmit**, Cedarburg, WI (US); **Leigh Jenison**, Hartland, WI (US); **Aleko D. Sotiriades**, Cedarburg, WI (US); **Mark J. Sarder**, Waukesha, WI (US)

(73) Assignee: **Champion Engine Technology, LLC**,  
Sussex, WI (US)

(\*\*) Term: **14 Years**

(21) Appl. No.: **29/520,817**

(22) Filed: **Mar. 18, 2015**

(51) **LOC (10) Cl.** ..... **13-01**

(52) **U.S. Cl.**  
USPC ..... **D13/112**

(58) **Field of Classification Search**  
USPC ..... D13/112, 114, 118, 122, 184, 199;  
D15/23, 28, 31, 33; 290/1 A, 1 B, 27,  
290/31, 32; 307/150, 153; 322/39, 44, 87  
CPC ..... H02K 7/00; H02K 7/16; H02K 7/18;  
H02K 7/1815; F02B 63/04; F02B 77/11;  
F02B 77/13  
See application file for complete search history.

(56) **References Cited**

**U.S. PATENT DOCUMENTS**

D303,785 S \* 10/1989 Waltz ..... D13/114  
D309,288 S \* 7/1990 Haverly ..... D13/114  
6,039,009 A \* 3/2000 Hirose ..... F02B 63/04  
123/2

D503,381 S \* 3/2005 Mizokami ..... D13/114  
D534,863 S \* 1/2007 Yasuda ..... D13/112  
D562,238 S \* 2/2008 Nozaki ..... D13/114  
D575,733 S \* 8/2008 Murata ..... D13/114  
D646,636 S \* 10/2011 Riimala ..... D13/114  
8,134,244 B2 \* 3/2012 Wurth ..... B64F 1/34  
290/1 A  
2002/0000342 A1 \* 1/2002 Yamada ..... E02F 9/0866  
181/204

\* cited by examiner

*Primary Examiner* — Derrick Holland

(74) *Attorney, Agent, or Firm* — Ziolkowski Patent Solutions Group, SC

(57) **CLAIM**

The ornamental design for an electrical generator, as shown and described.

**DESCRIPTION**

FIG. 1 is a perspective view of an electrical generator showing our new design;  
FIG. 2 is a front view thereof;  
FIG. 3 is a rear view thereof;  
FIG. 4 is a left side view thereof;  
FIG. 5 is a right side view thereof;  
FIG. 6 is a top plan view thereof;  
FIG. 7 is a bottom plan view thereof;  
FIG. 8 is a perspective view thereof, in an opened position;  
FIG. 9 is a front view thereof;  
FIG. 10 is a rear view thereof;  
FIG. 11 is a left side view thereof; and,  
FIG. 12 is a right side view thereof.

The broken lines shown represent unclaimed subject matter and form no part of the claimed design.

**1 Claim, 10 Drawing Sheets**

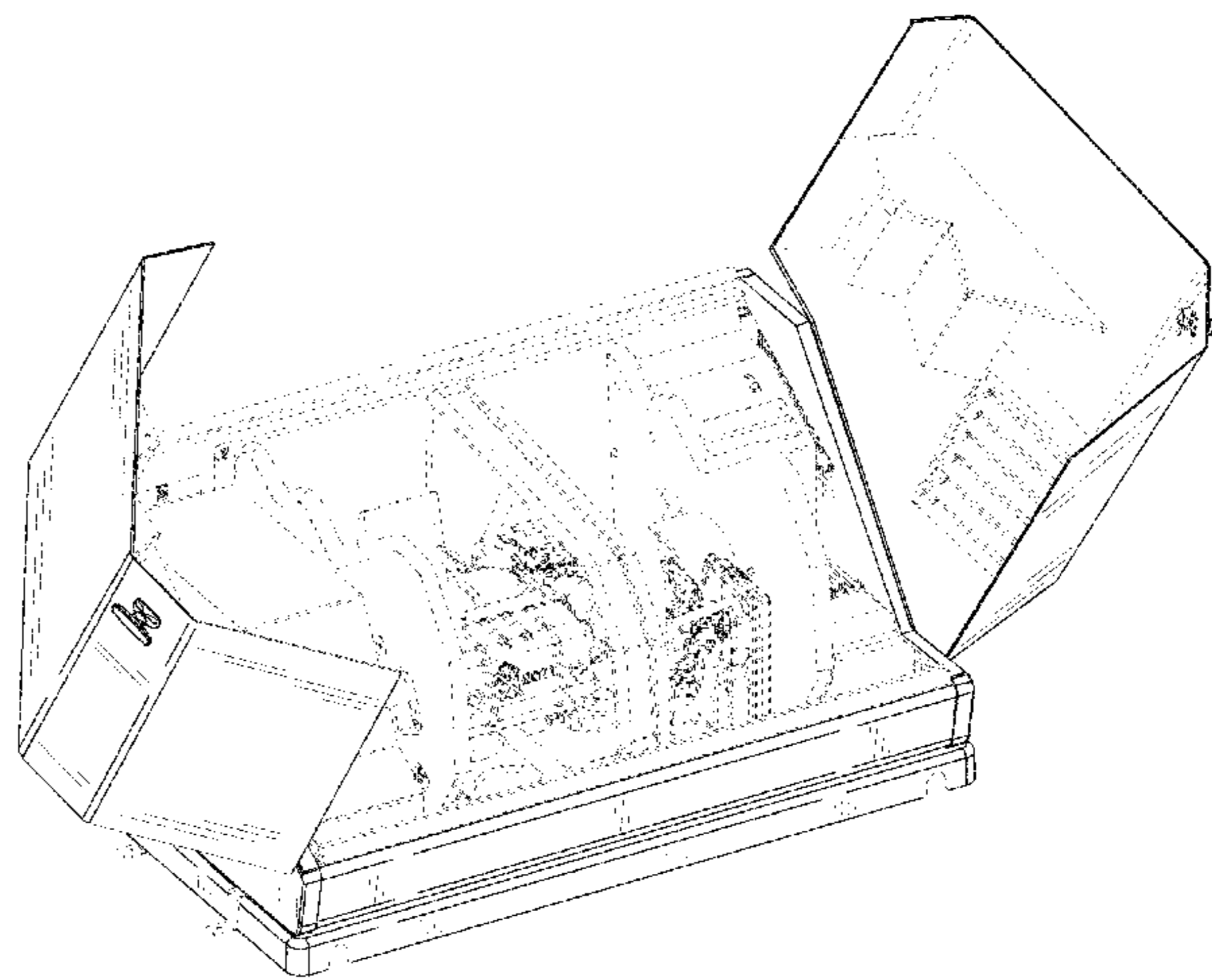
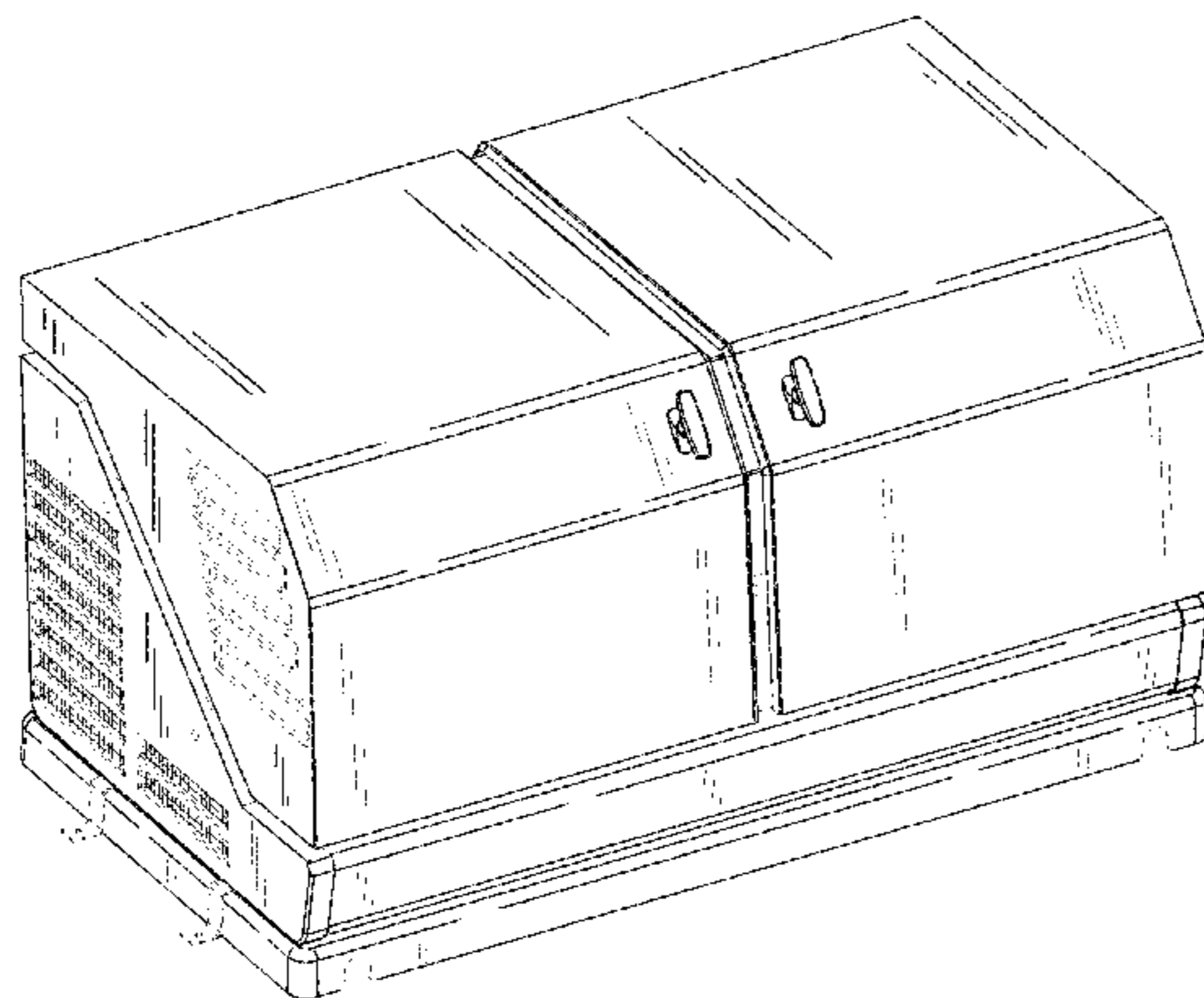




FIG. 1

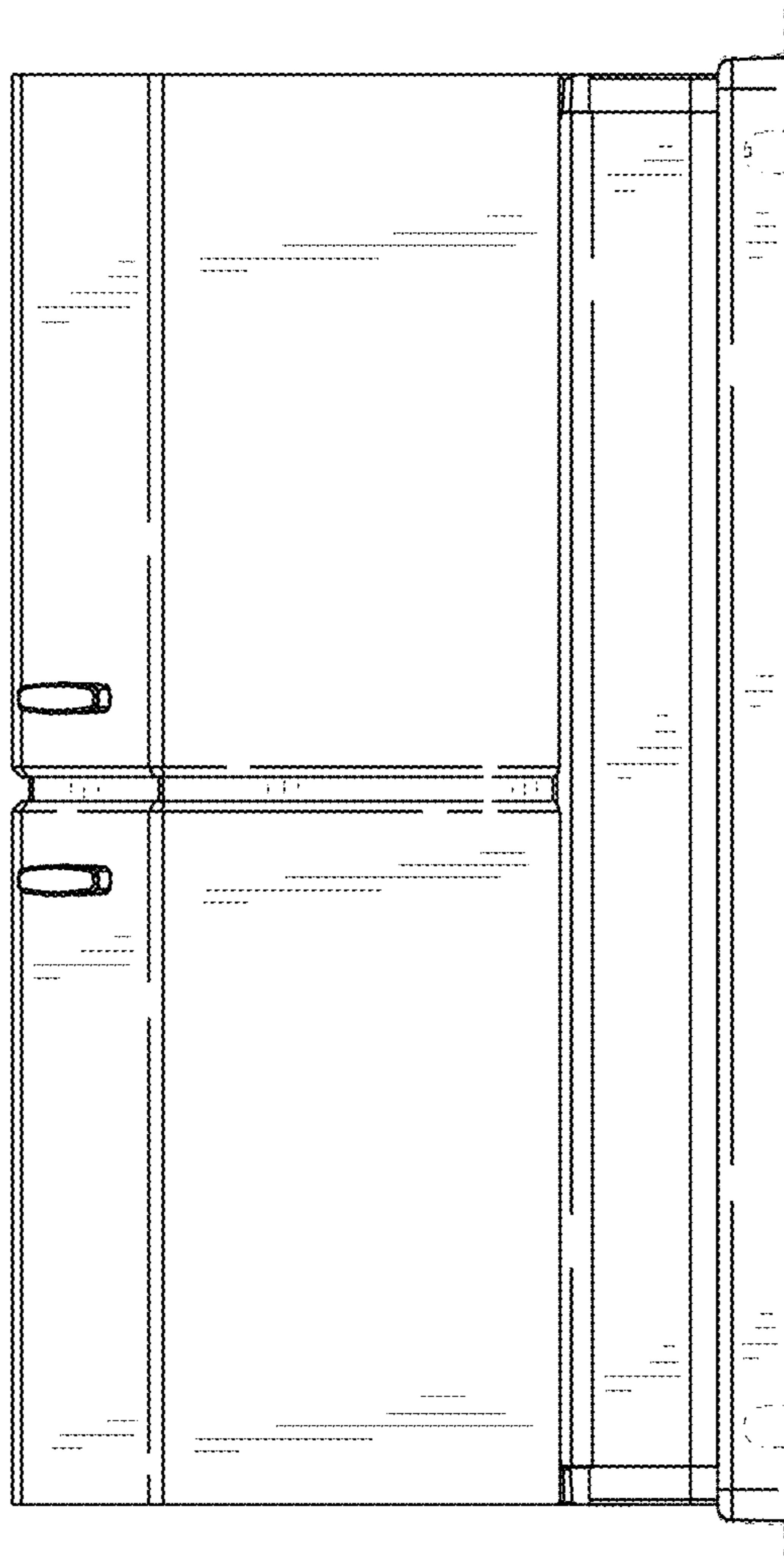


FIG. 2

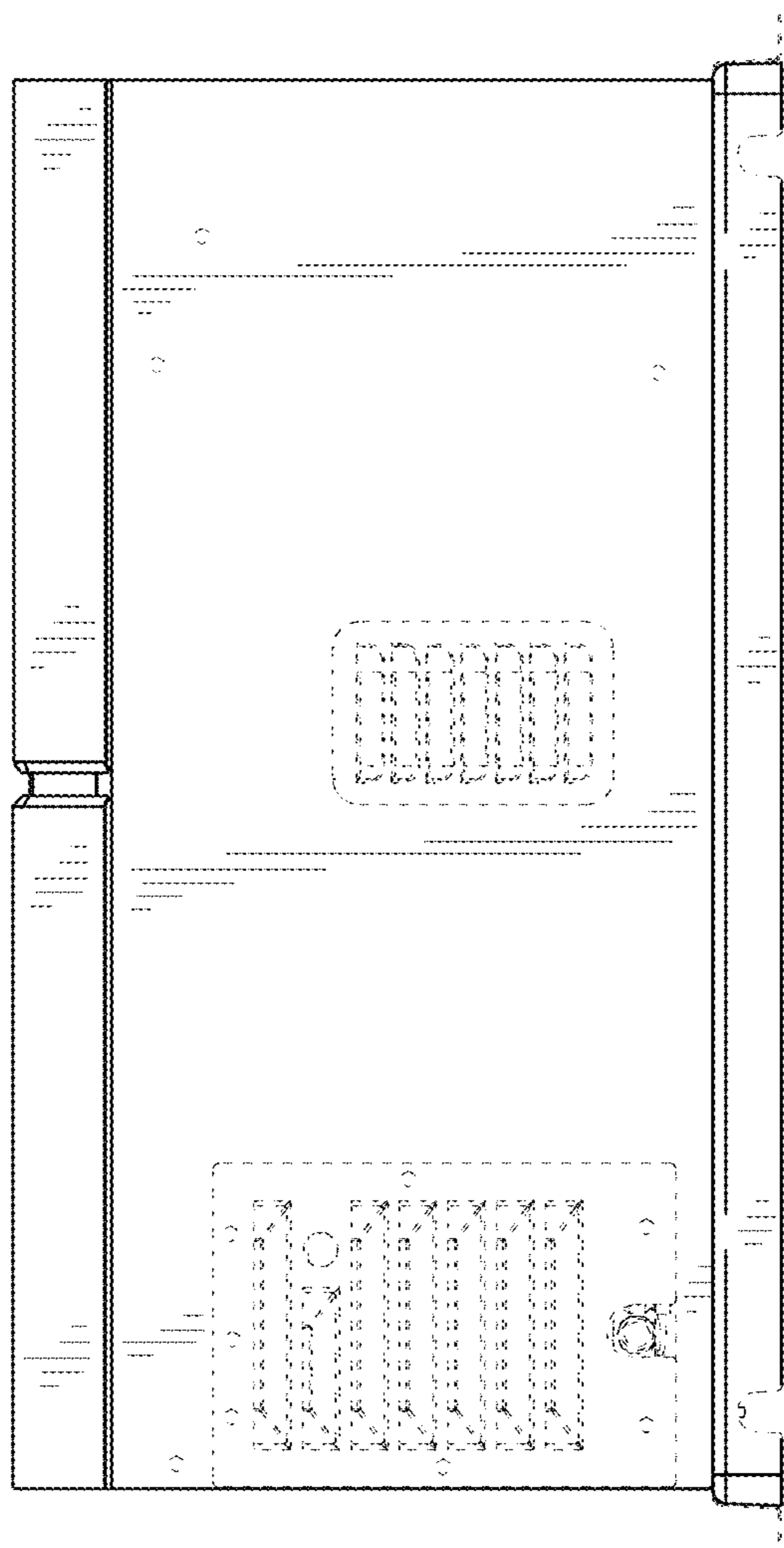


FIG. 3

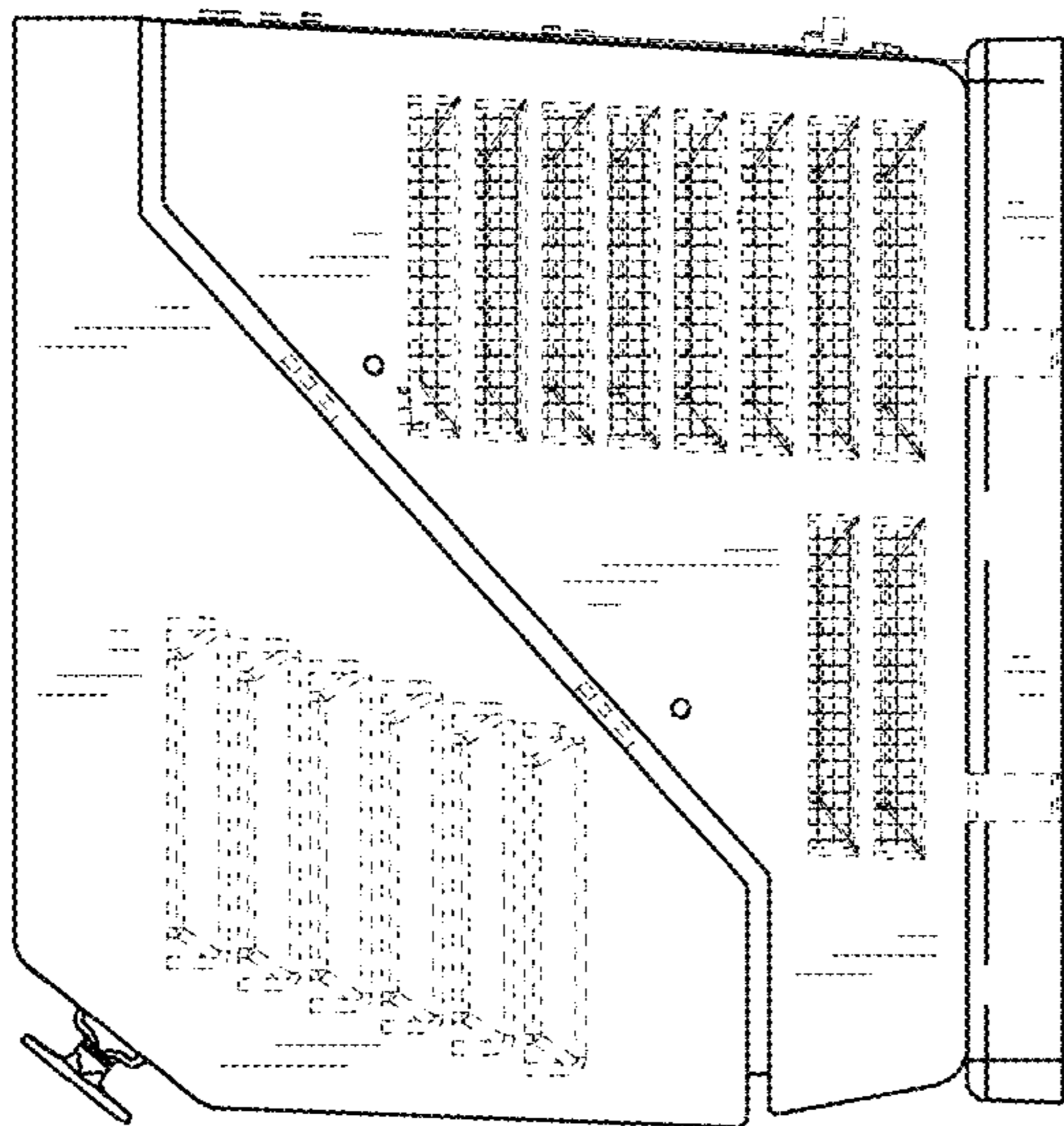


FIG. 5

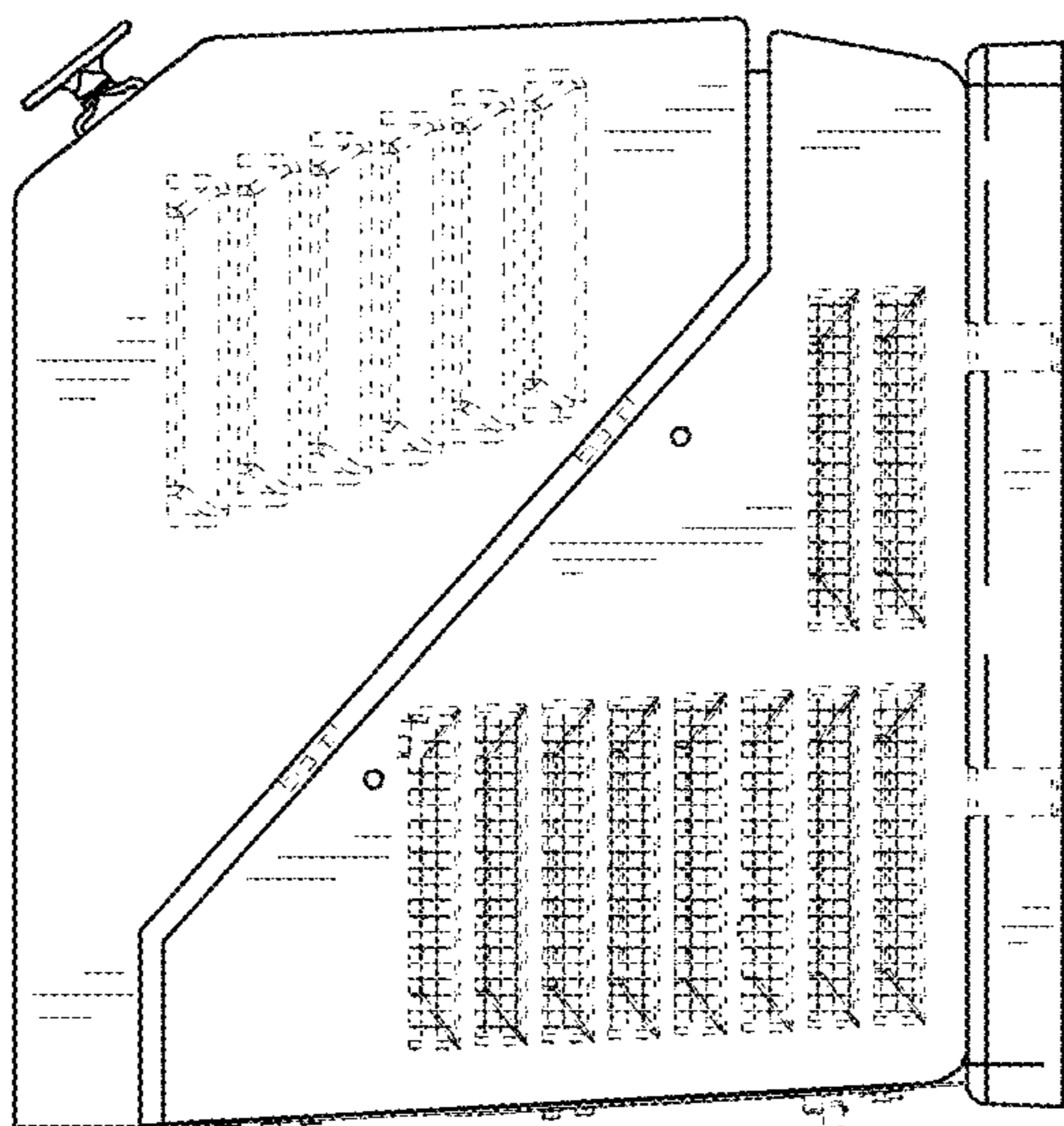


FIG. 4

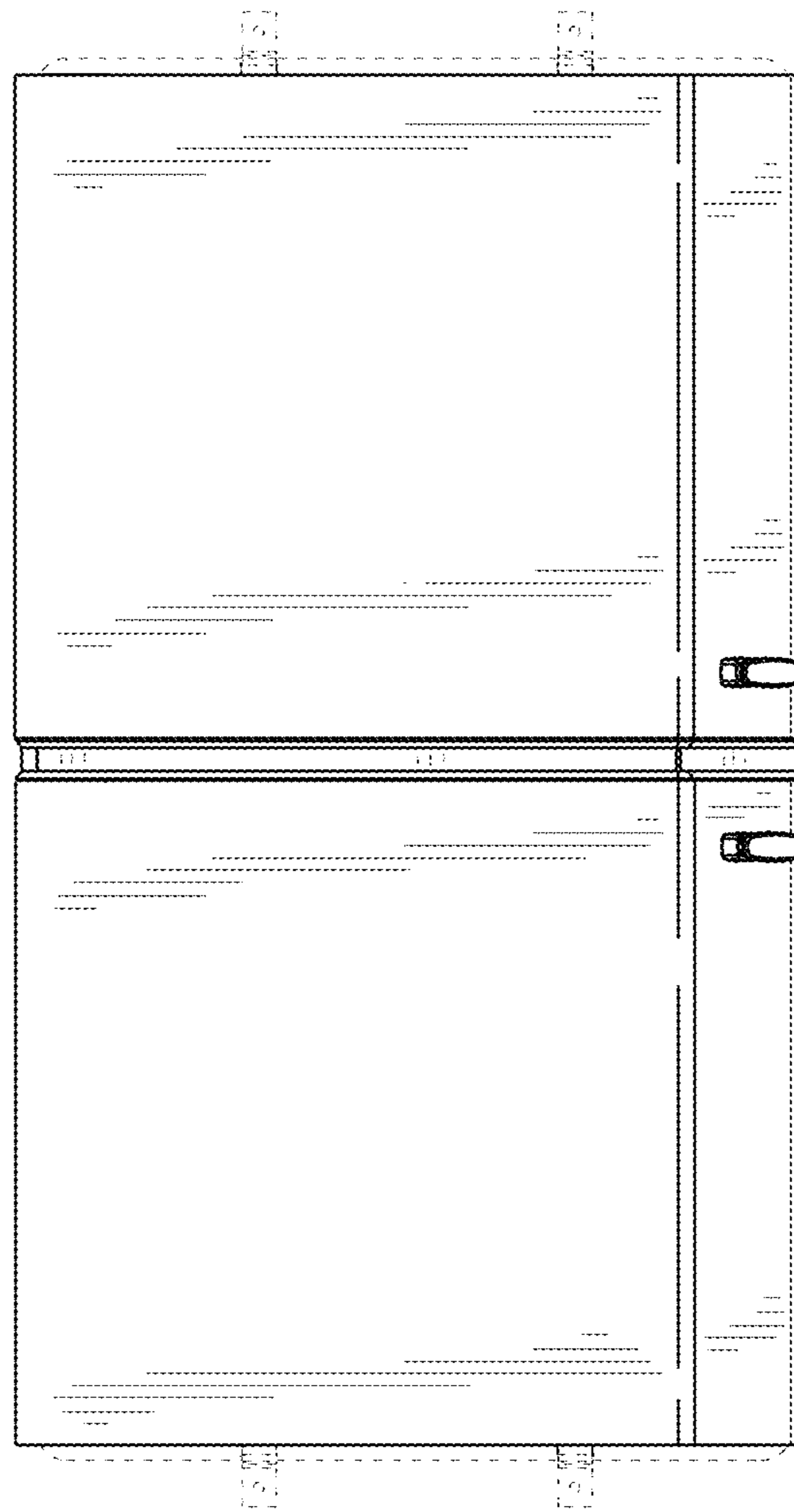


FIG. 6

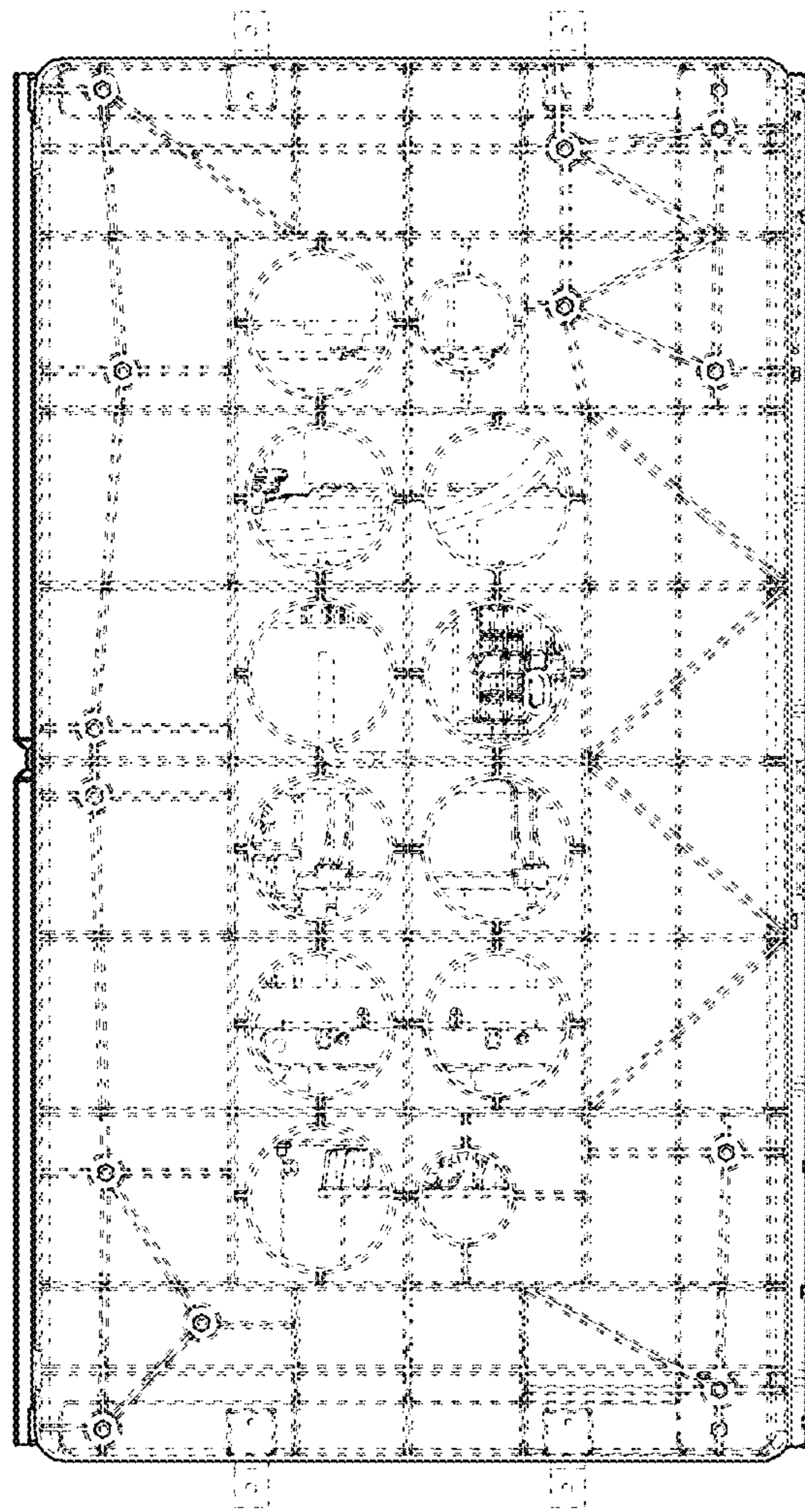


FIG. 7

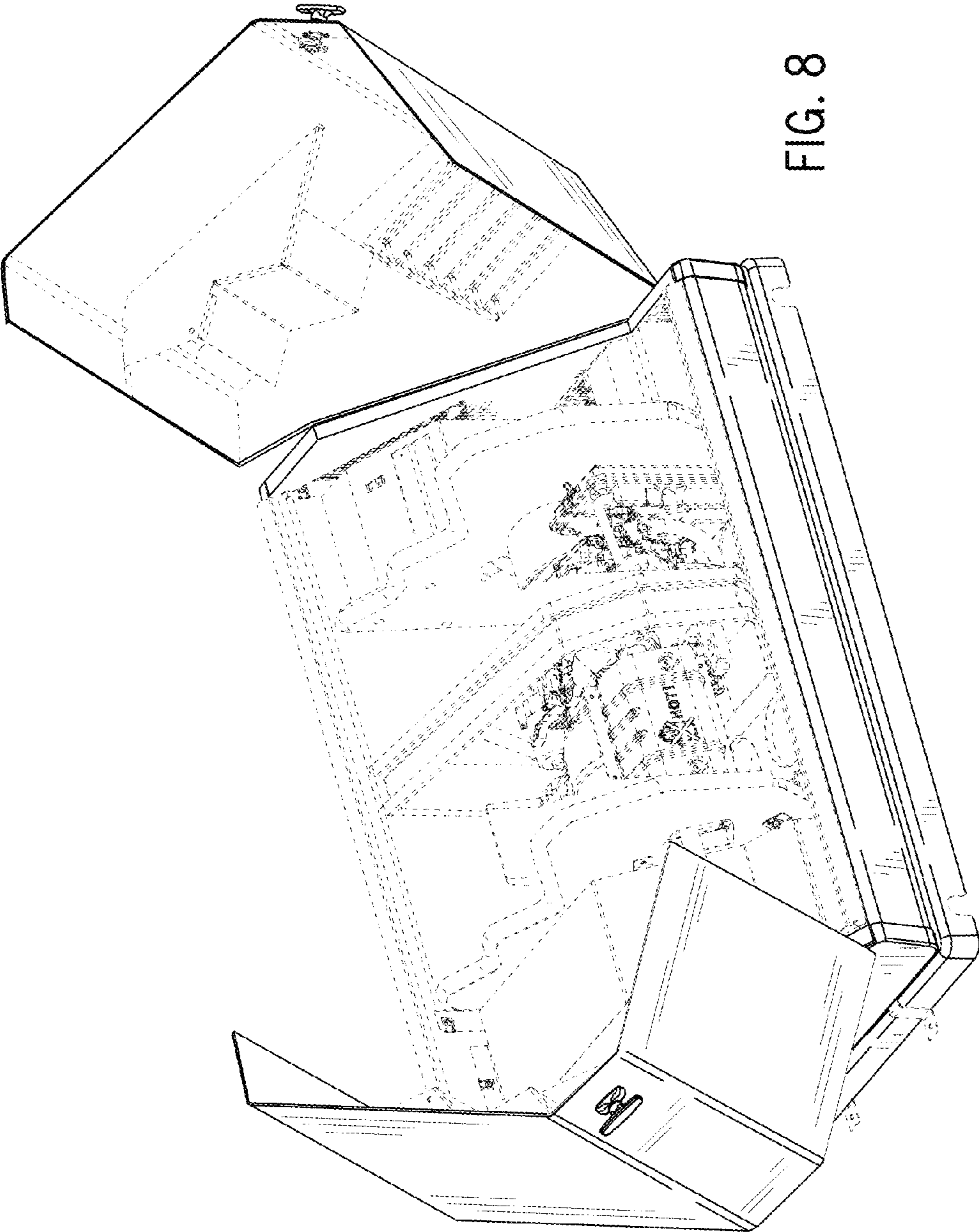


FIG. 8



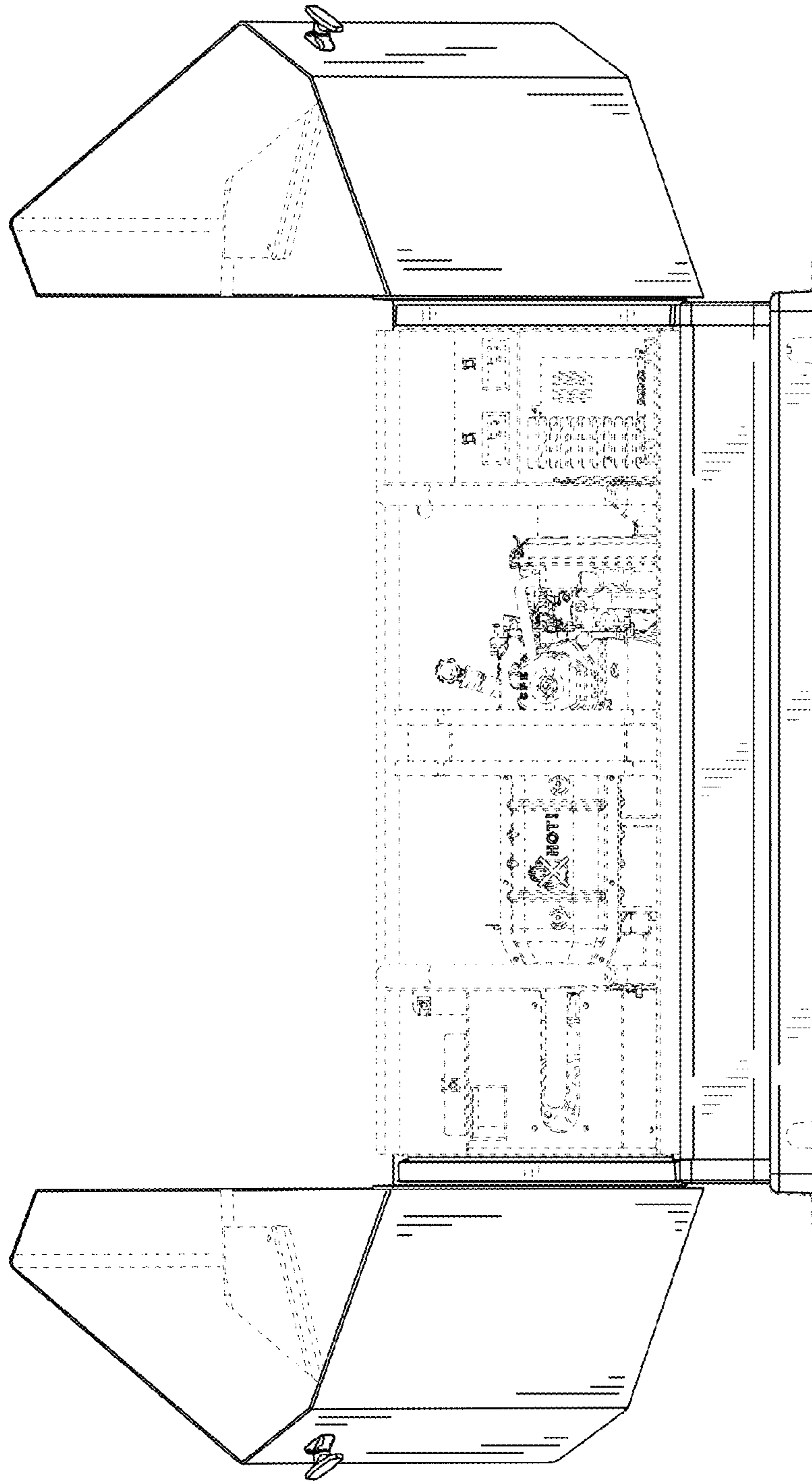


FIG. 9

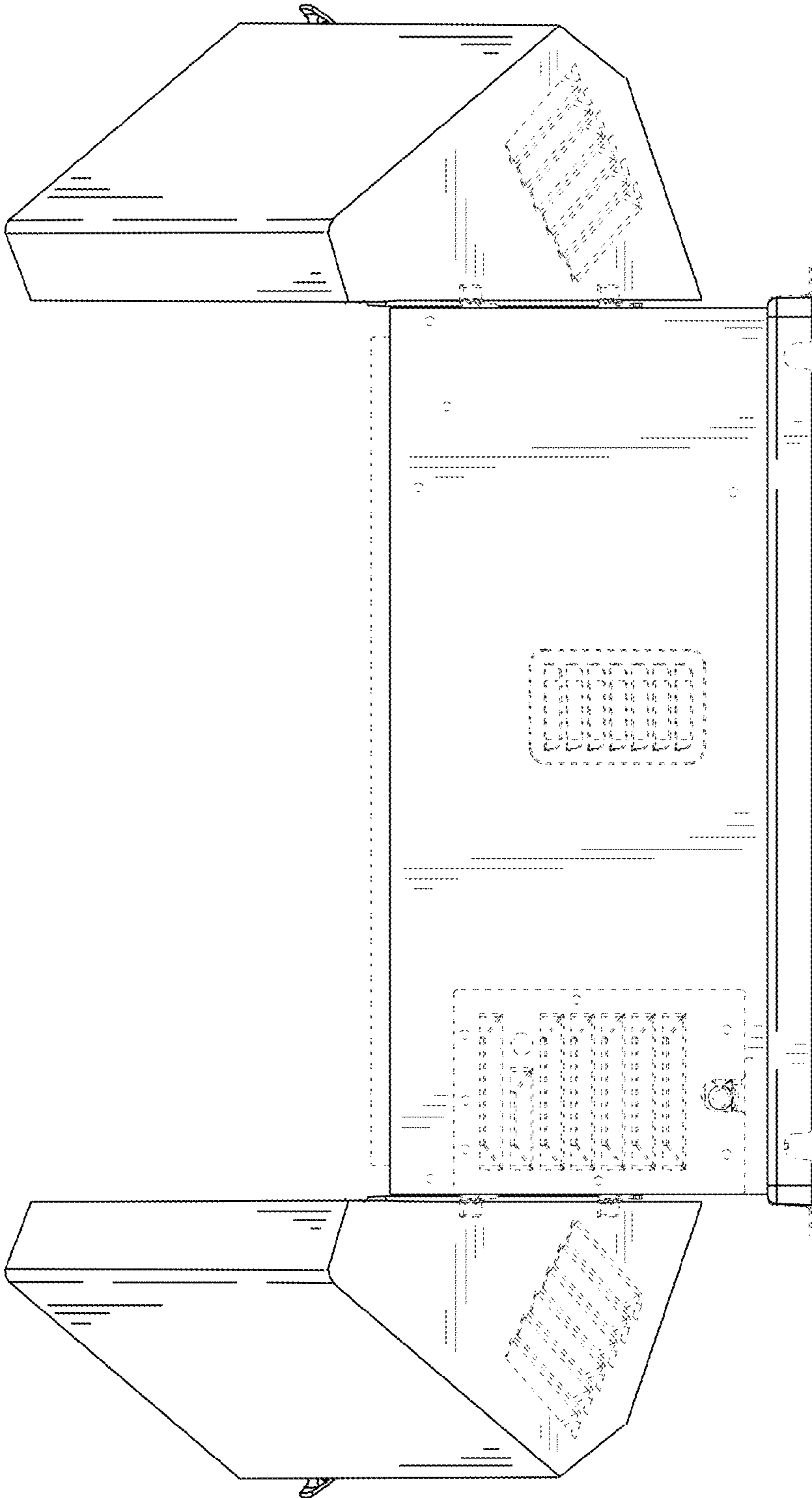


FIG. 10

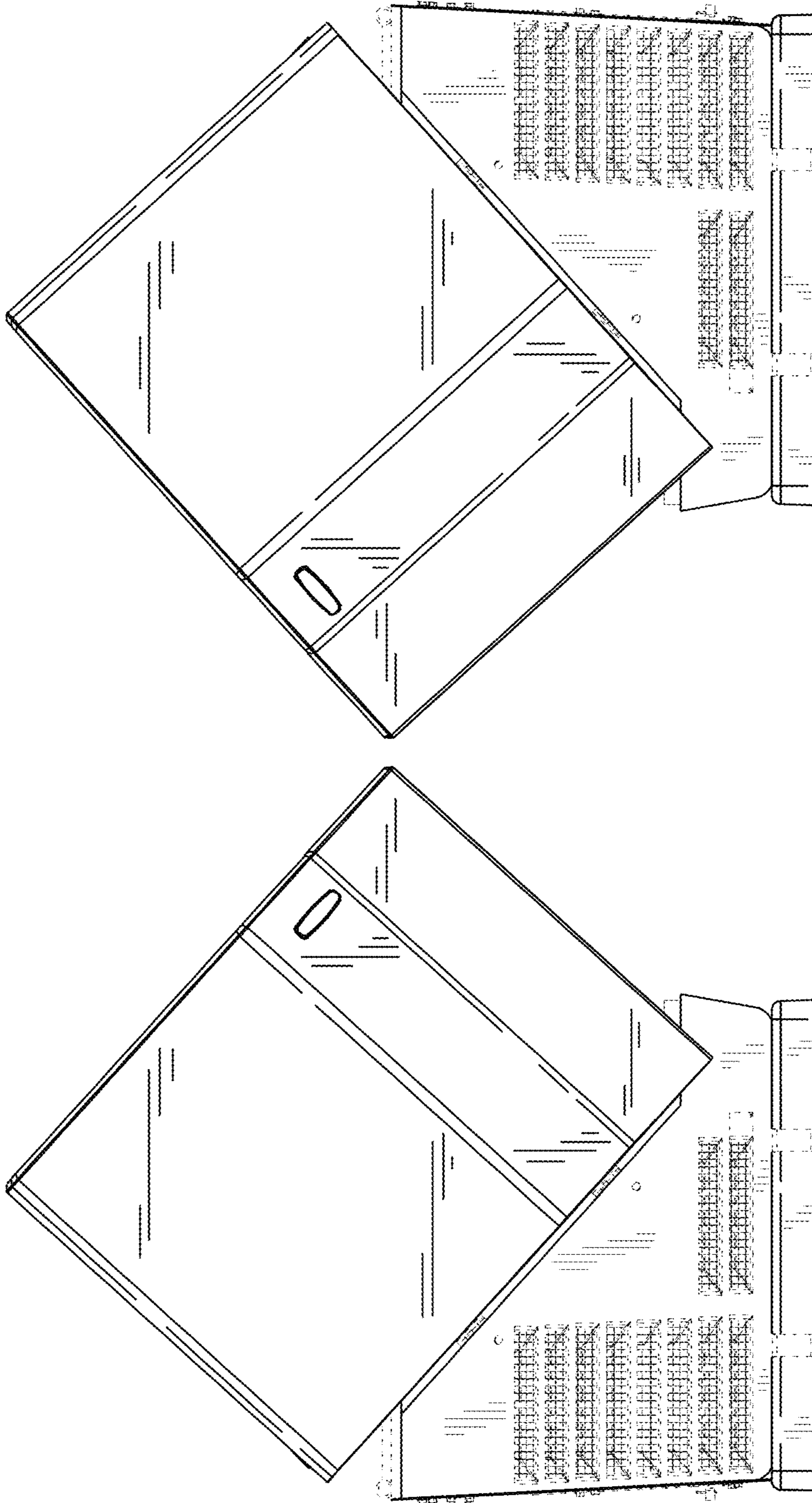


FIG. 12

FIG. 11