



US00D760650S

(12) **United States Design Patent**
Juds et al.

(10) **Patent No.:** **US D760,650 S**
(45) **Date of Patent:** **** Jul. 5, 2016**

(54) **BATTERY VENT ADAPTER**

(71) Applicant: **Johnson Controls Technology Company**, Holland, MI (US)
(72) Inventors: **Jeffrey H. Juds**, Waukesha, WI (US);
Joseph E. Liedhegner, Wauwatosa, WI (US)
(73) Assignee: **Johnson Controls Technology Company**, Holland, MI (US)
(**) Term: **14 Years**

(21) Appl. No.: **29/497,629**

(22) Filed: **Jul. 25, 2014**

(51) **LOC (10) Cl.** **13-02**

(52) **U.S. Cl.**
USPC **D13/110**

(58) **Field of Classification Search**
USPC D13/101, 110, 119, 120, 184, 199;
D15/199; 439/620.26, 754, 761, 763,
439/764
CPC H01R 11/00; H01R 11/28; H01R 11/32;
H01R 11/281; H01R 11/284; H01R 11/286;
H01R 11/287; H01R 13/68; H01R 13/115;
H01R 31/02; Y10S 439/907
See application file for complete search history.

(56) **References Cited**

U.S. PATENT DOCUMENTS

D250,531 S *	12/1978	Demetreon	D13/120
D290,597 S *	6/1987	Sherman	D13/120
4,740,178 A *	4/1988	Badenhorst	H01R 11/287 439/142
D380,730 S *	7/1997	Green	D13/120
D485,235 S *	1/2004	Liang	D13/120
6,932,650 B1 *	8/2005	Freitag	H01R 11/287 337/188

OTHER PUBLICATIONS

Porsche 996 DIY: Battery Replacement; <http://www.euroaddiction.net/forum/996-997-turbo-diy-how-section/6180-porsche-996-diy-battery-replacement.html>; Apr. 27, 2011; 12 pgs.
Boxster Batteries; "Dead Battery and Can't Get in to Charge it?"; <https://sites.google.com/site/mikefocke2/batteries>; (unknown date); 15 pgs.
Concord Battery Company; Elbow barbed coupling assy, 1/4 to 1/2; <http://www.concordebattery.com/pdfs/5-0349.pdf>; (unknown date); 1 pg.
Concord Battery Company; Elbow, vent adapter, 3/8"x1/2"; <http://www.concordebattery.com/pdfs/8003.pdf>; (unknown date); 1 pg.
Battery Council International; "Batter Replacement Data Book—2013 Edition"; 105 pgs.
East Penn Manufacturing Co. Inc., "Valve-Regulated Lead-Acid (VRLA) Gelled Electrolyte (Gel) and Absorbed Glass Mat (AGM) Batteries"; (2012); 7 pgs.

* cited by examiner

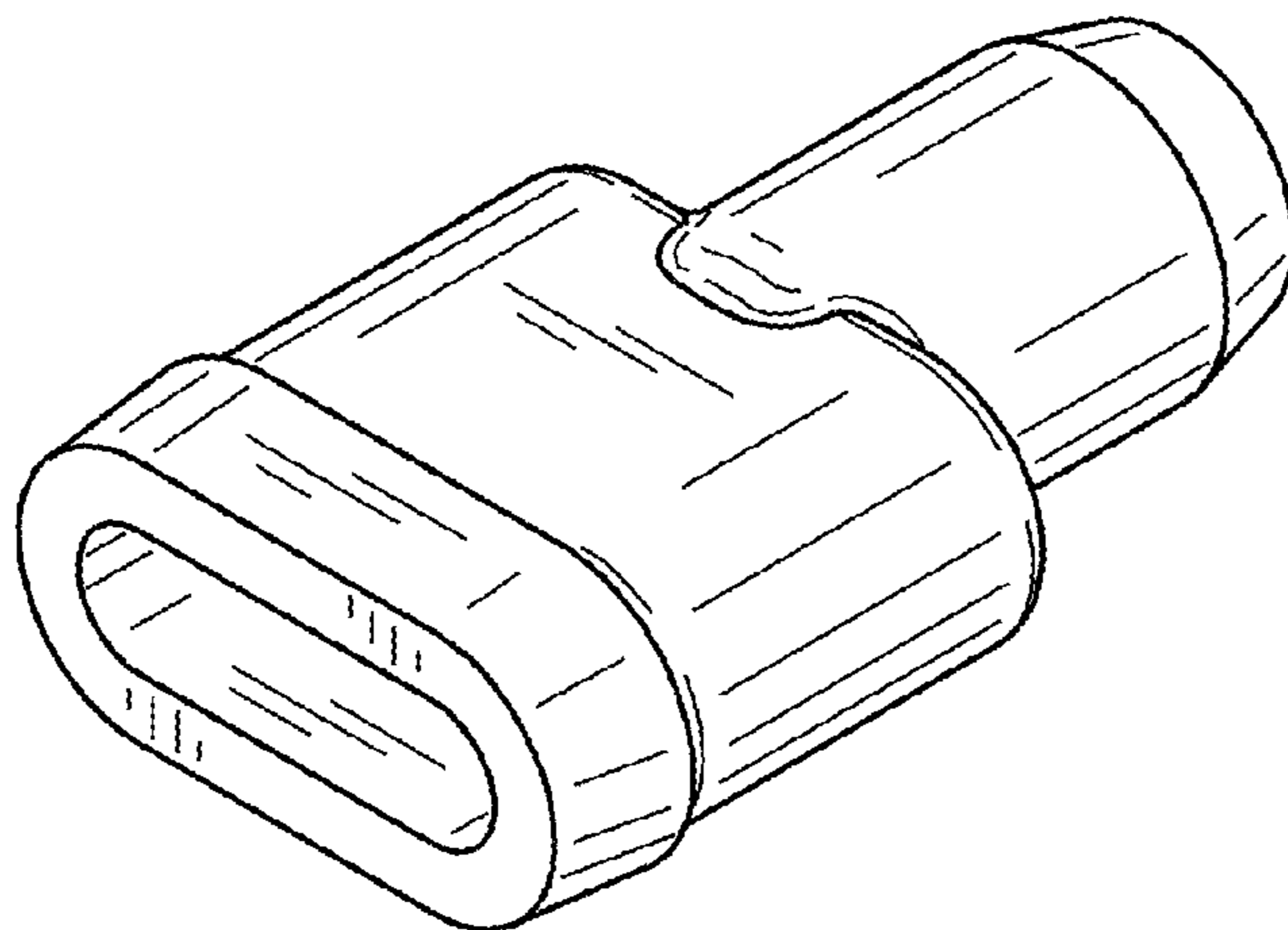
Primary Examiner — Derrick Holland
(74) *Attorney, Agent, or Firm* — Fletcher Yoder PC

(57) **CLAIM**
We claim the ornamental design for a battery vent adapter, as shown and described.

DESCRIPTION

FIG. 1 is a perspective view of a battery vent adapter showing our new design;
FIG. 2 is a top plan view thereof, the bottom plan view being a mirror image;
FIG. 3 is a right side view thereof, the left side view being a mirror image;
FIG. 4 is a front elevation view thereof; and,
FIG. 5 is a back elevation view thereof.
The subject matter shown in broken lines in the drawings constituting environment only and forming no part of the protection claimed.

1 Claim, 2 Drawing Sheets



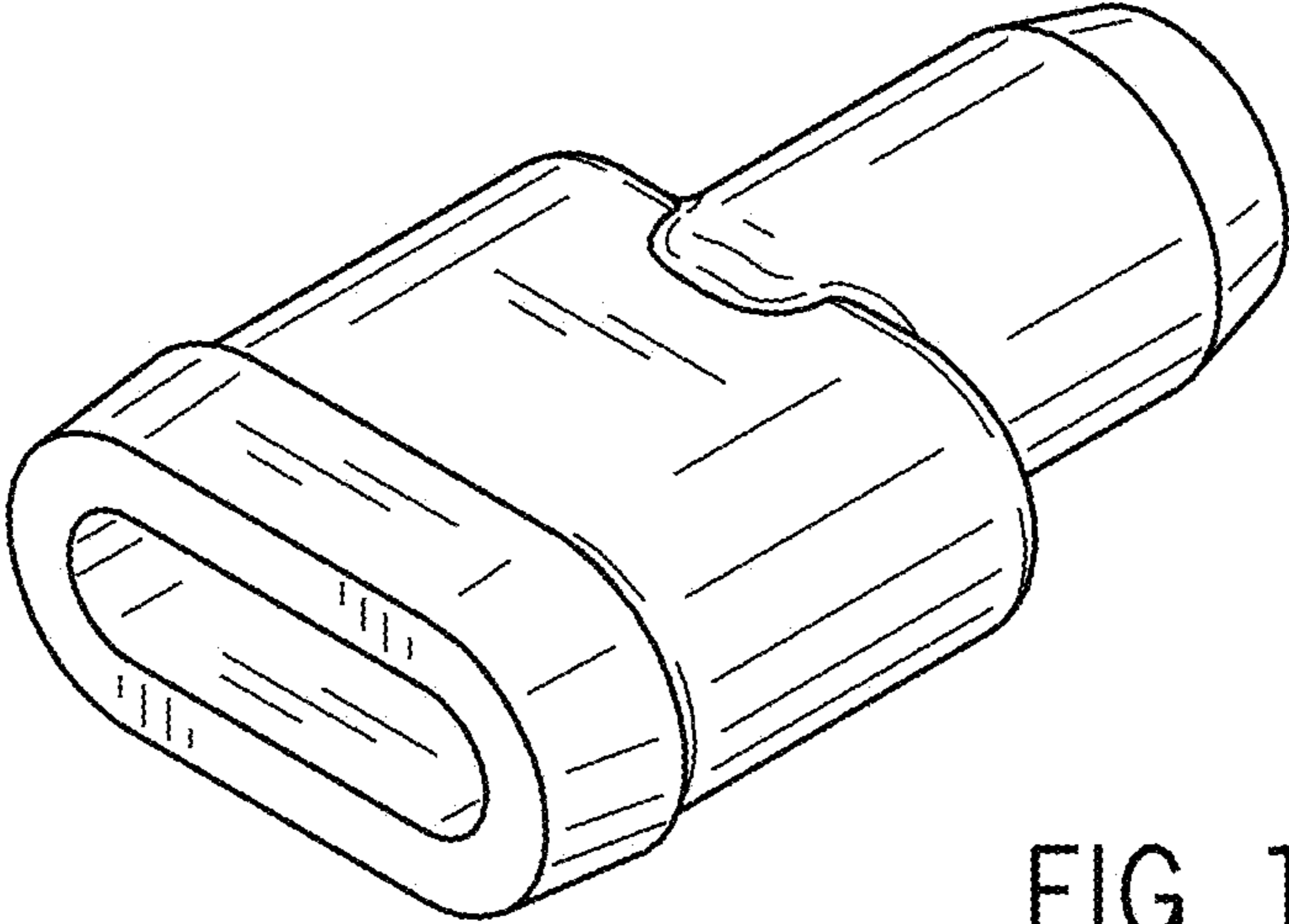


FIG. 1

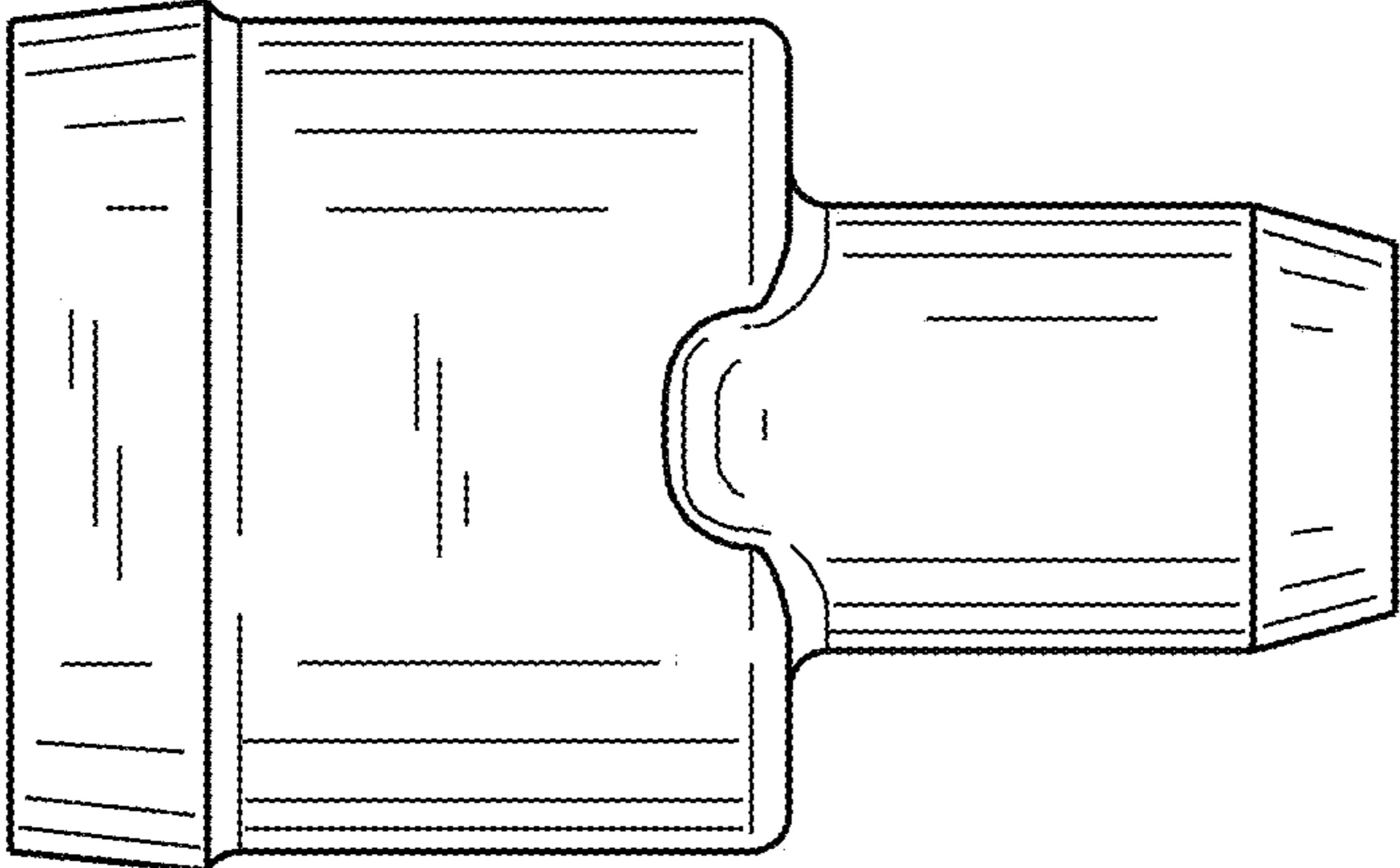


FIG. 2

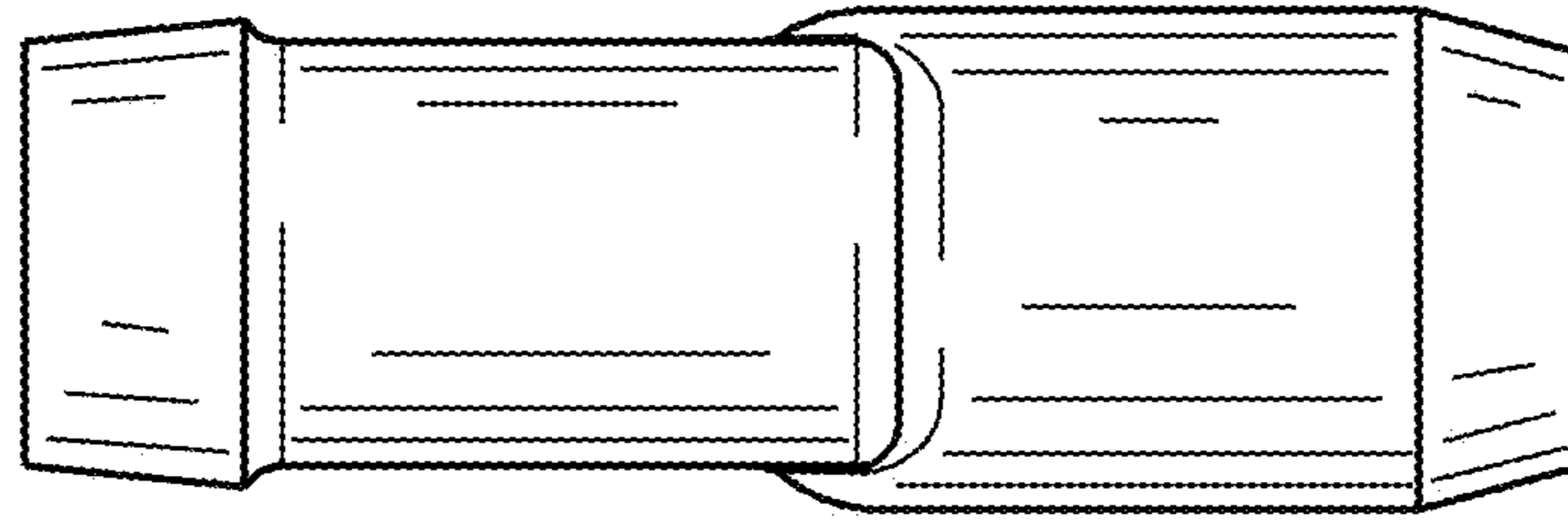


FIG. 3

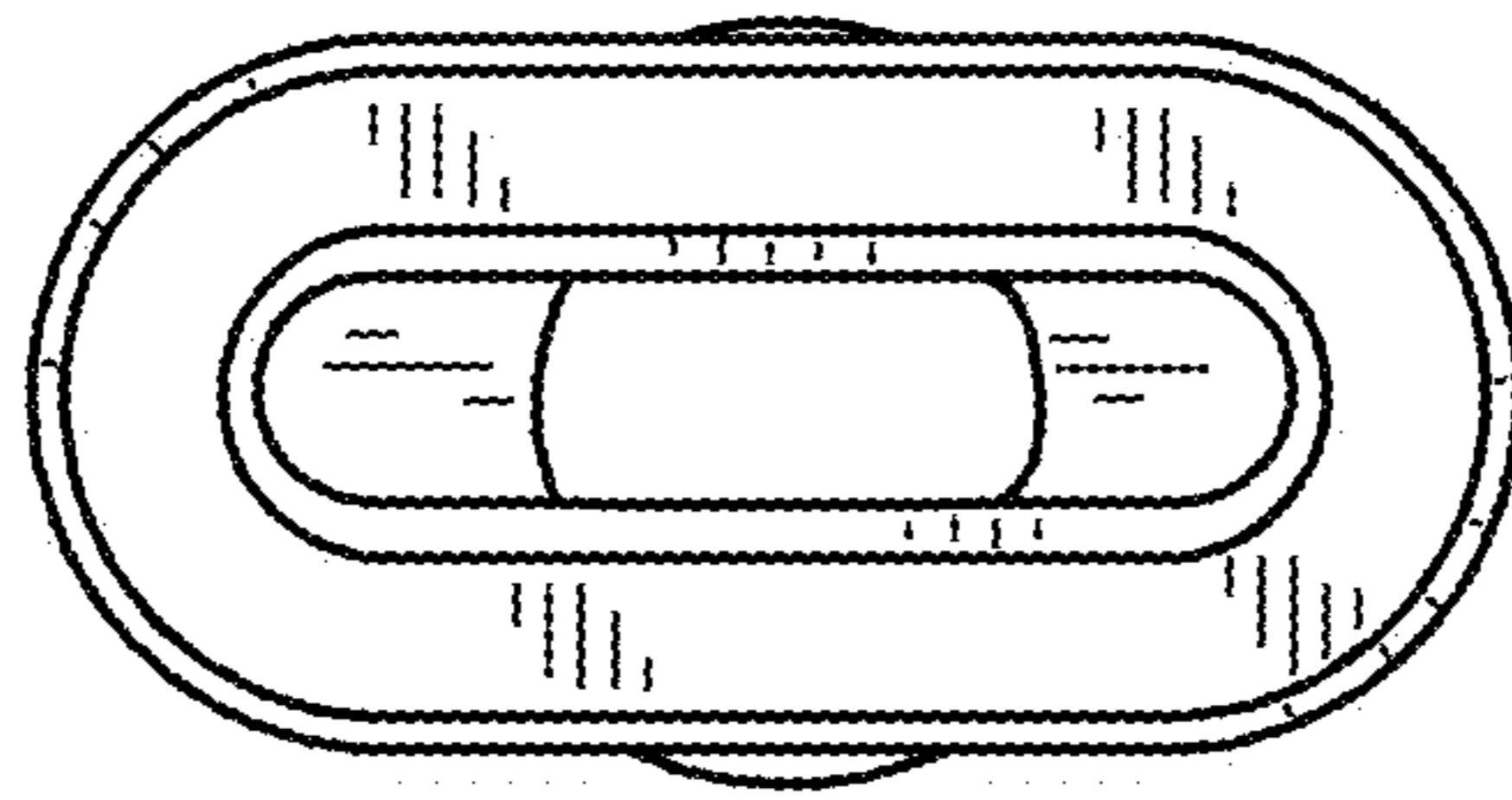


FIG. 4

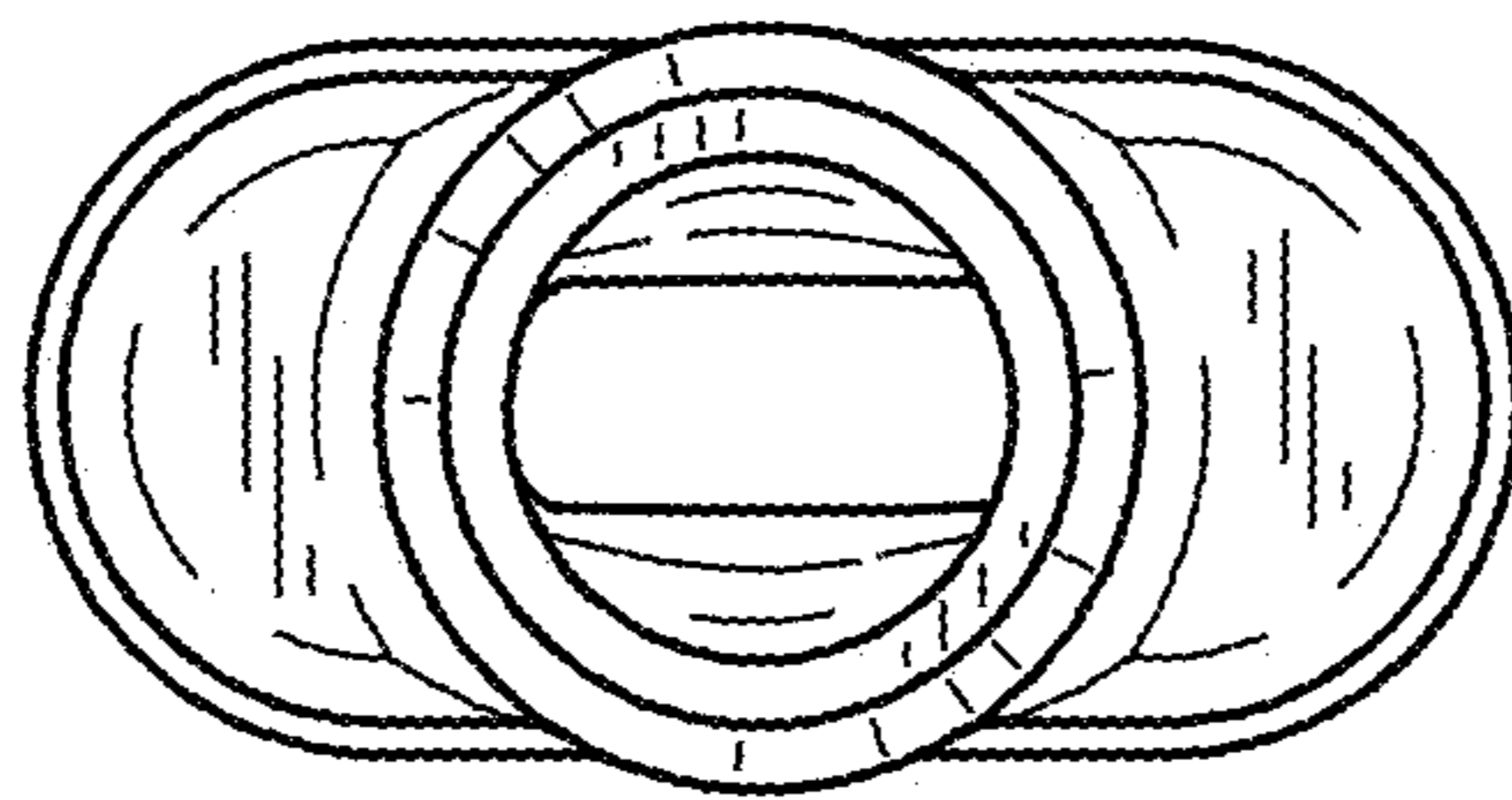


FIG. 5