



US00D760645S

(12) **United States Design Patent**
Chen

(10) **Patent No.:** **US D760,645 S**
(45) **Date of Patent:** **** Jul. 5, 2016**

- (54) **POWER BANK**
- (71) Applicant: **Dongguan Large Electronics Co., Ltd.**,
Dongguan, Guangdong (CN)
- (72) Inventor: **Lingjun Chen**, Guangdong (CN)
- (73) Assignee: **Dongguan Large Electronics Co., Ltd.**
(CN)
- (**) Term: **14 Years**
- (21) Appl. No.: **29/517,637**
- (22) Filed: **Feb. 13, 2015**
- (30) **Foreign Application Priority Data**

Jan. 15, 2015 (CN) 2015 3 0011597

- (51) **LOC (10) Cl.** **13-02**
- (52) **U.S. Cl.**
USPC **D13/103; D13/108**

- (58) **Field of Classification Search**
USPC D13/102-110, 118-119, 184, 199;
320/107-115; D14/251, 253, 356, 432,
D14/434
CPC Y02E 60/12; Y02E 60/122; Y02E 60/124;
H01M 2/02; H01M 2/022; H01M 2/0212;
H01M 2/1061; H01M 2/1066; H01M 2/206;
H01M 10/44; H01M 10/465; H01M 2200/30;
H01M 2250/40; H02J 7/0003; H02J 7/0011;
H02J 7/0013
See application file for complete search history.

- (56) **References Cited**
U.S. PATENT DOCUMENTS
D612,329 S * 3/2010 Guccione D13/108
D676,380 S * 2/2013 Sun D13/108
D678,187 S * 3/2013 Huang D13/103

- D693,297 S * 11/2013 Inskeep D13/103
- D704,135 S * 5/2014 Stewart D13/108
- D705,719 S * 5/2014 Wong D13/103
- D705,724 S * 5/2014 Yu D13/108
- D711,820 S * 8/2014 Zeng D13/103
- D711,821 S * 8/2014 Wang D13/103
- D713,786 S * 9/2014 Wen D13/103
- D722,018 S * 2/2015 Wang D13/103
- D733,043 S * 6/2015 Hasbrook D13/103
- D733,051 S * 6/2015 Wang D13/103
- D743,333 S * 11/2015 Nomi D13/108
- D744,420 S * 12/2015 Chen D13/103
- D751,981 S * 3/2016 Lin D13/103
- D751,984 S * 3/2016 Lin D13/103
- 2010/0117597 A1 * 5/2010 Wang H02J 7/0042
320/111
- 2012/0154991 A1 * 6/2012 Lei H04M 1/0262
361/679.01
- 2014/0042969 A1 * 2/2014 Miller H02J 7/0042
320/111

* cited by examiner

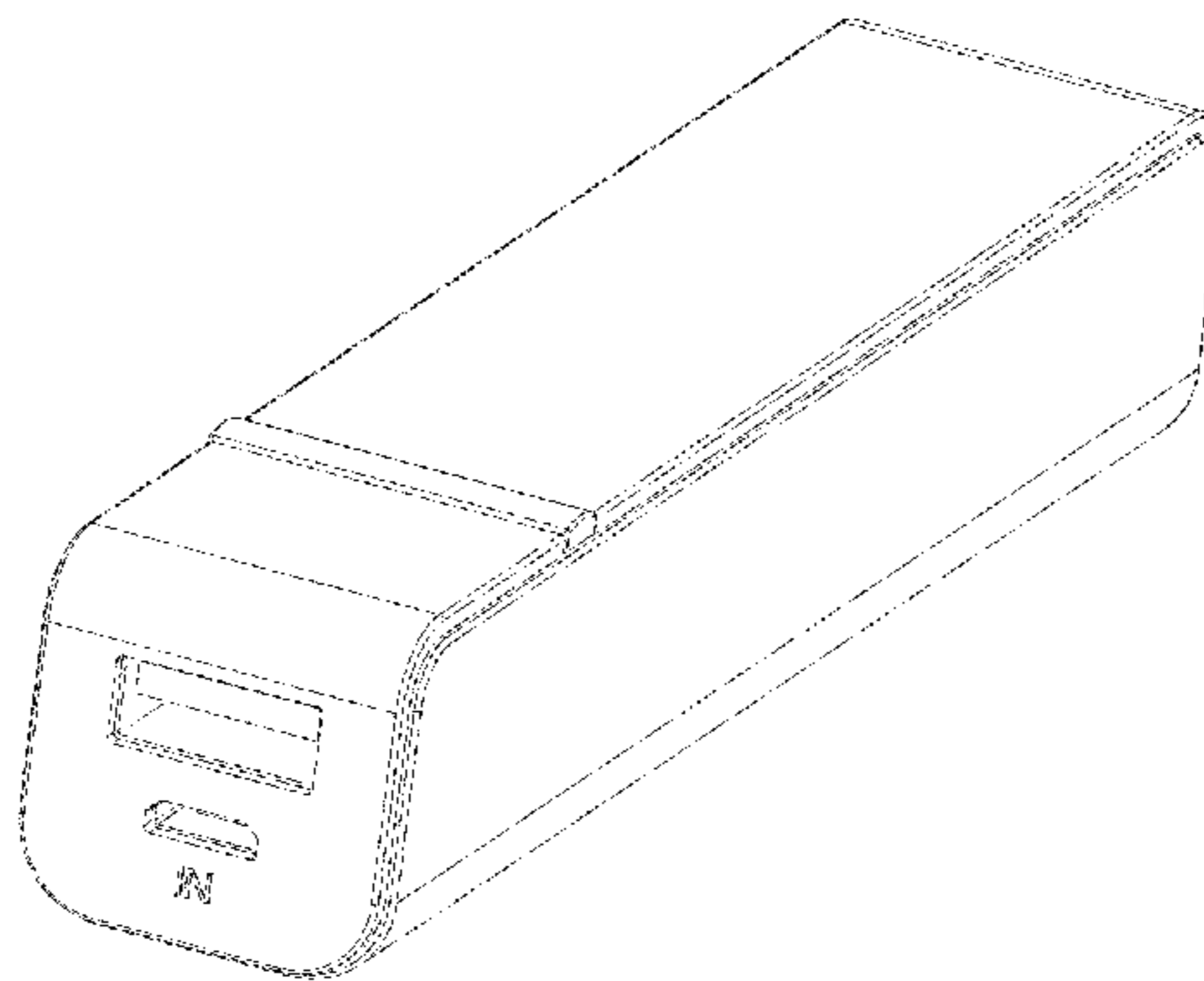
Primary Examiner — Rosemary K Tarcza
Assistant Examiner — James Thorn, Sr.

(57) **CLAIM**
The ornamental design for a power bank, as shown and described.

DESCRIPTION

FIG. 1 is a perspective view of the power bank showing my new design;
FIG. 2 is a front elevational view thereof;
FIG. 3 is a back elevational view thereof;
FIG. 4 is a left elevational view thereof;
FIG. 5 is a right elevational view thereof;
FIG. 6 is a top plan view thereof; and,
FIG. 7 is a bottom plan view thereof.

1 Claim, 7 Drawing Sheets



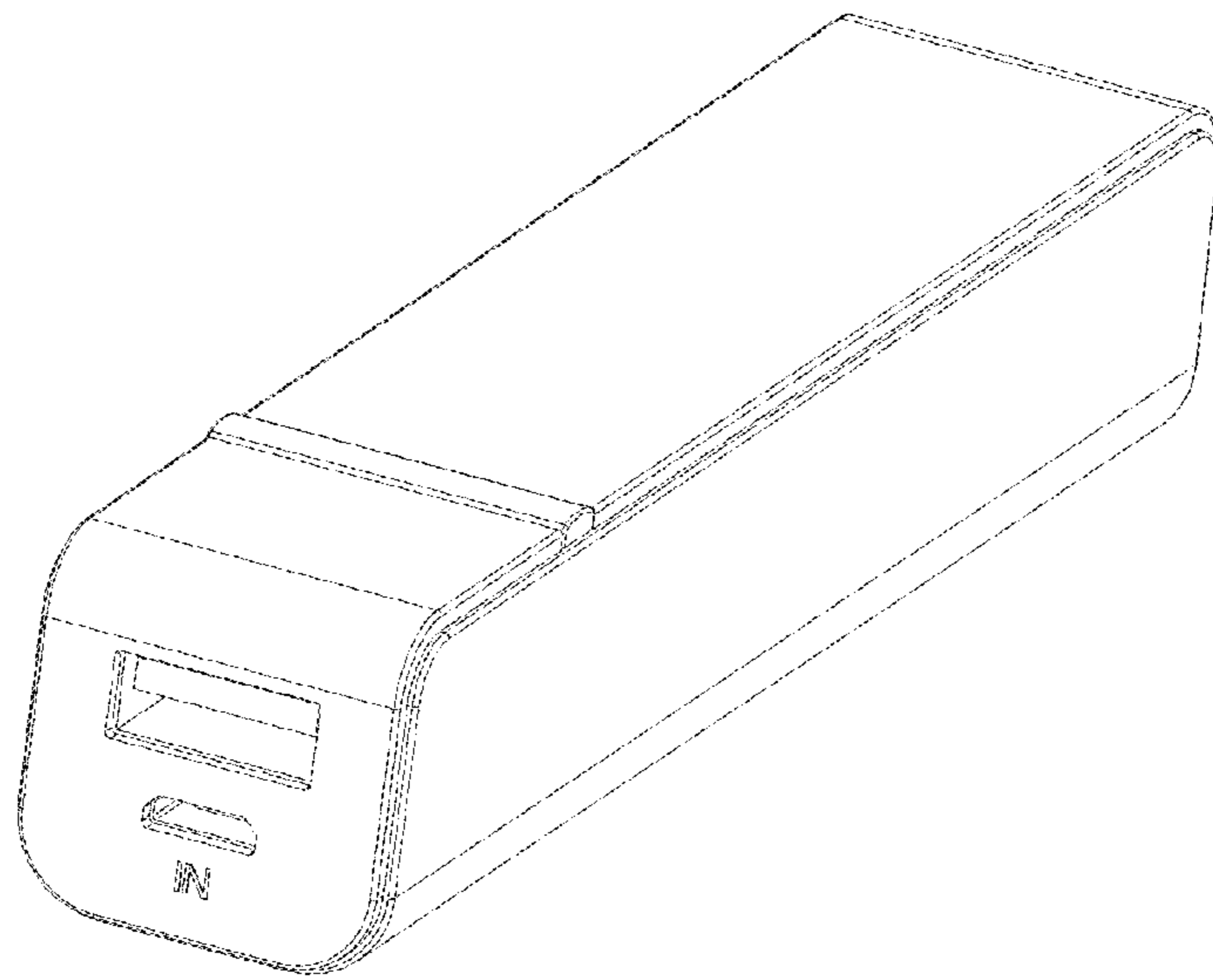


Fig. 1

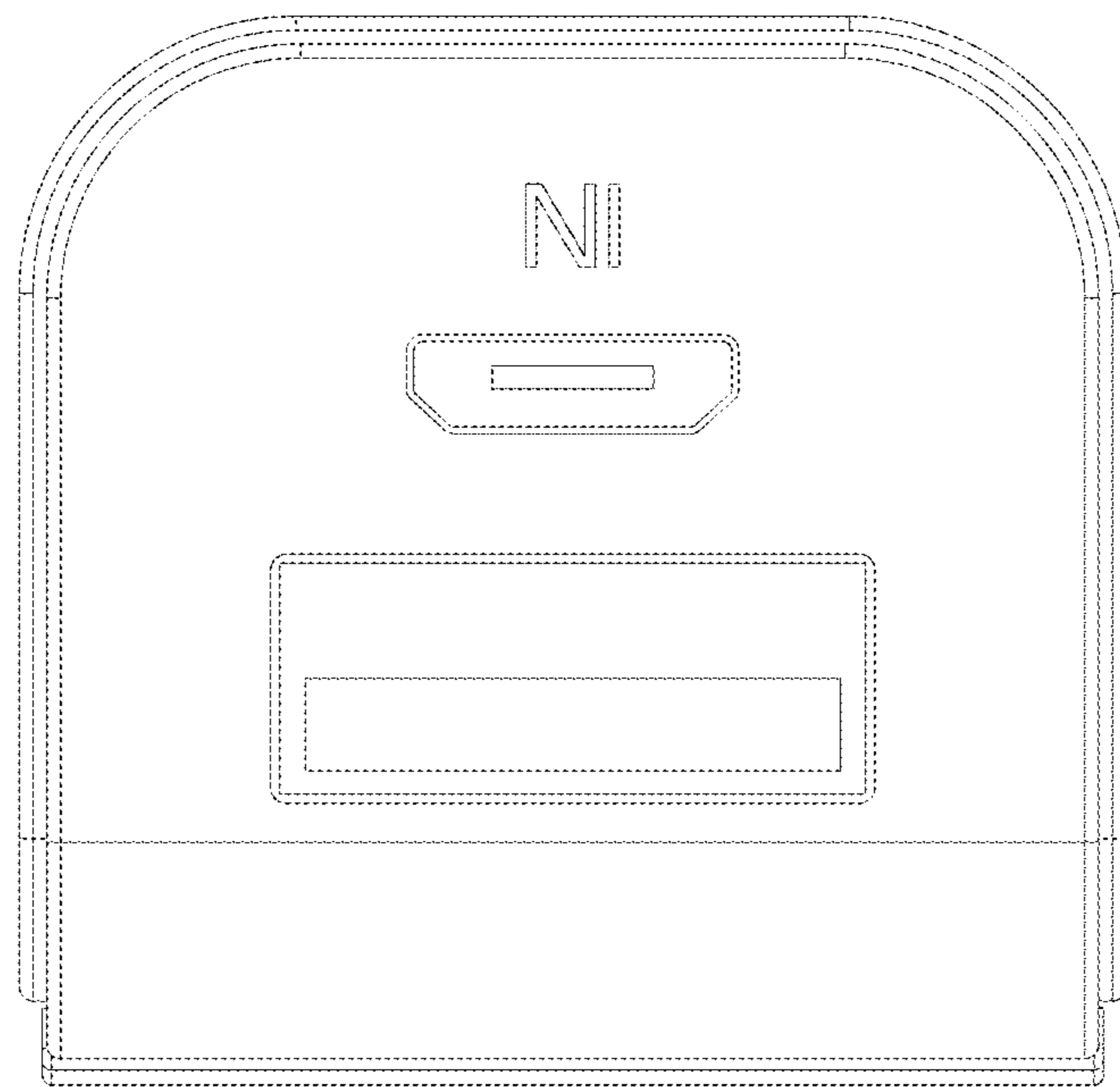


Fig. 2

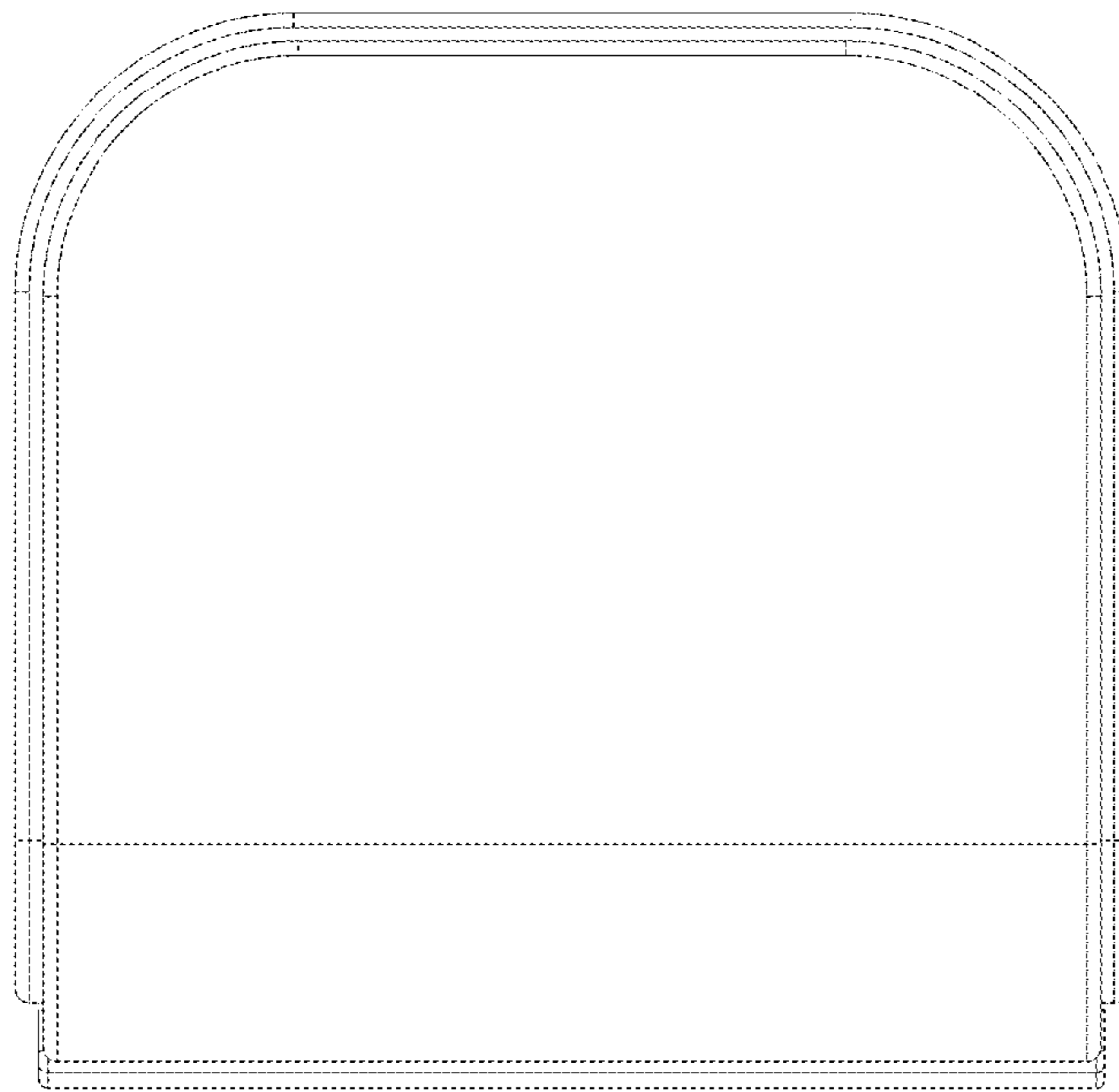


Fig. 3

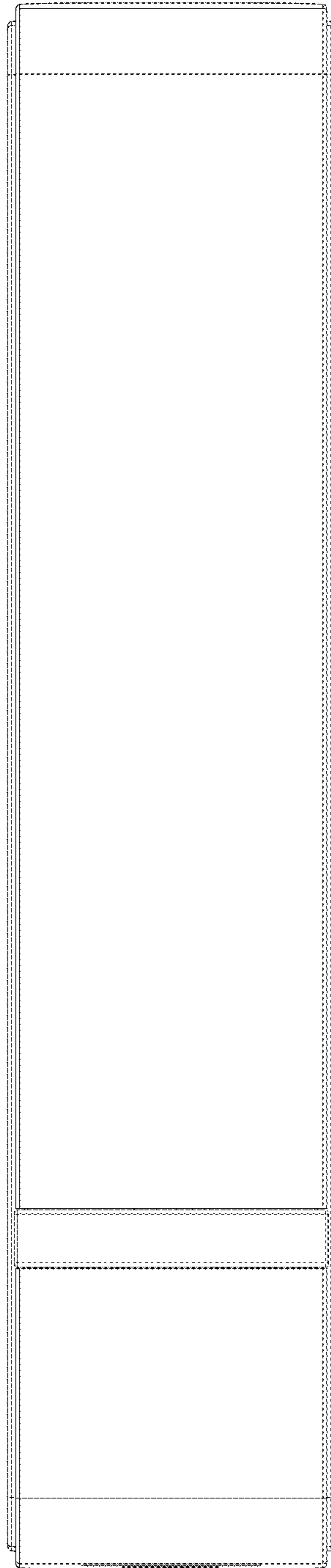


Fig. 4

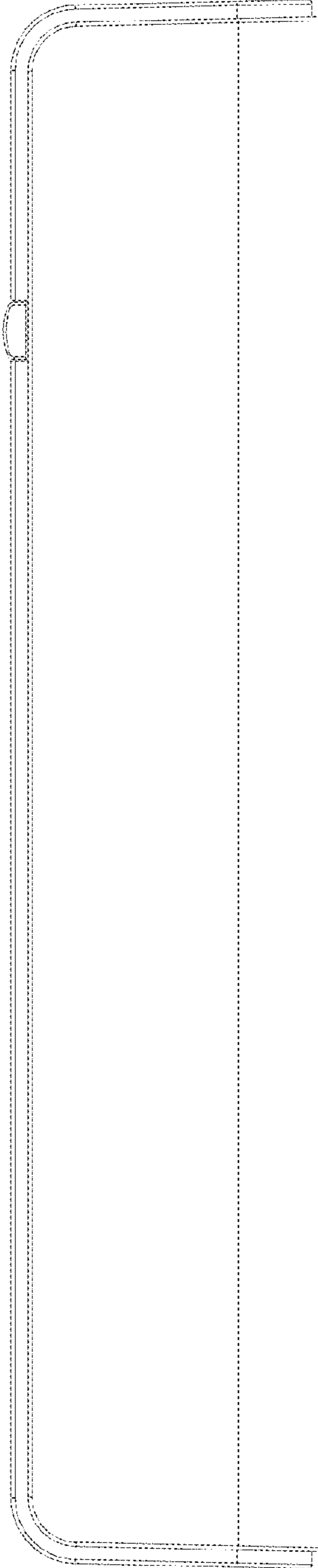


Fig. 5

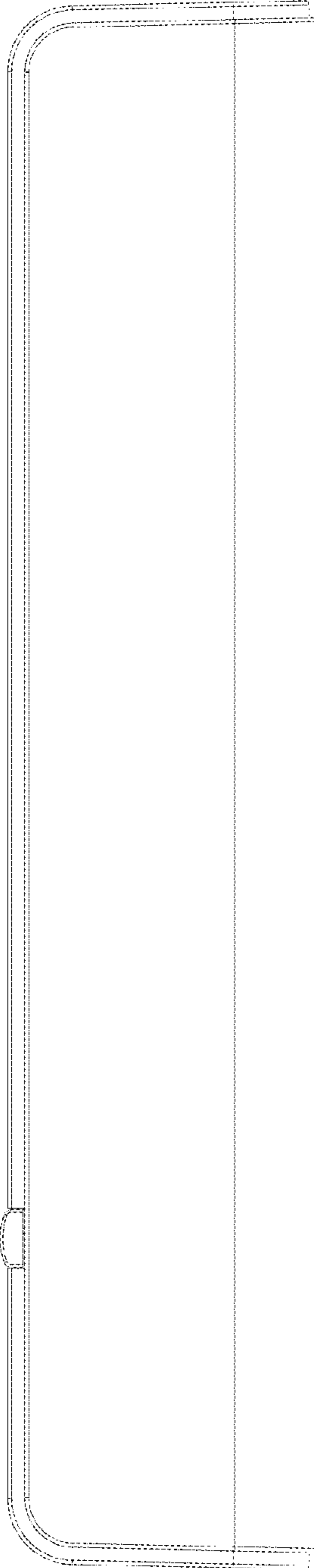


Fig. 6

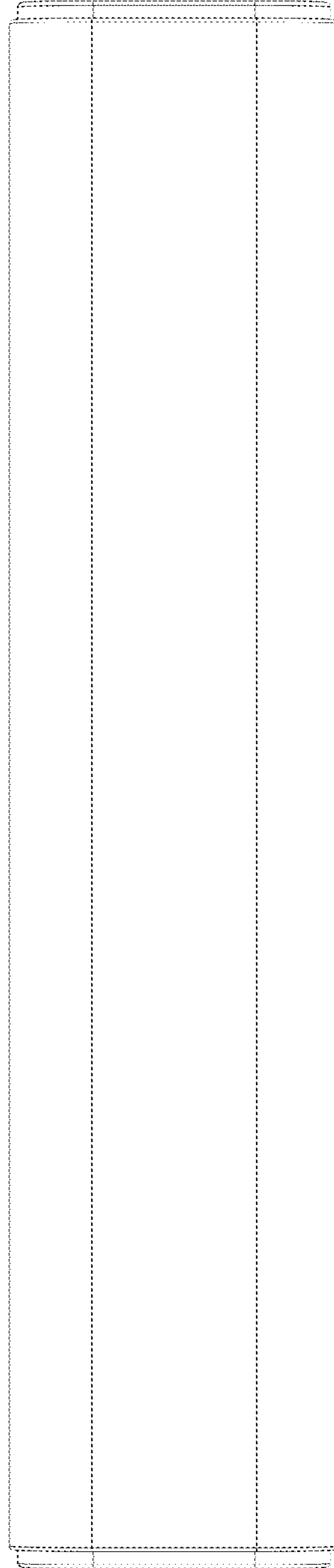


Fig. 7