

US00D760644S

(12) **United States Design Patent**
Phillips et al.

(10) **Patent No.:** **US D760,644 S**
(45) **Date of Patent:** **** Jul. 5, 2016**

(54) **BATTERY**
(71) Applicant: **Samsung Electronics Co., Ltd.**,
Suwon-si (KR)
(72) Inventors: **Sheldon George Phillips**, Glendale, CA
(US); **Joseph J. Kopp, Jr.**, Fairfield, CA
(US)
(73) Assignee: **SAMSUNG ELECTRONICS CO.,**
LTD., Suwon-Si (KR)
(**) Term: **14 Years**
(21) Appl. No.: **29/491,620**
(22) Filed: **May 22, 2014**
(51) **LOC (10) Cl.** **13-02**
(52) **U.S. Cl.**
USPC **D13/103**
(58) **Field of Classification Search**
USPC D13/102–110, 118–119, 154, 184, 199;
D14/203.3–203.8, 217, 248, 250–253,
D14/432, 434, 440, 450, 496; D3/201, 218,
D3/269, 301, 273, 303; 361/679.56;
379/426, 433.11–433.13, 455;
455/575.1, 575.8; 320/101–102,
320/107–115, 120; 429/96–100, 149, 159,
429/163, 176, 177, 186
CPC G06K 7/0008; H01Q 7/00; H01M 10/04;
H01M 10/0413; H01M 10/0436; H01M
2/0207; H01M 2/0212; H01M 2/0215; H01M
2/021; H01M 2/1022; H01M 2/1061; H01M
2/1066; H01M 2/04; H01M 2/0404; H01M
2220/30; H01M 1/026; H01M 1/0262
See application file for complete search history.

(56) **References Cited**

U.S. PATENT DOCUMENTS

D446,766 S * 8/2001 Han D13/103
D710,796 S * 8/2014 Ko D13/103
D726,106 S * 4/2015 Aber D13/103
D729,085 S * 5/2015 Nuovo D10/103
D729,648 S * 5/2015 Phillips D10/103
D729,650 S * 5/2015 Phillips D10/32
D734,192 S * 7/2015 Phillips D10/103
2014/0234679 A1* 8/2014 Kim H01M 2/1653
429/94

2015/0113796 A1* 4/2015 Han H01M 10/0436
29/623.1
2015/0157220 A1* 6/2015 Fish A61B 5/02055
600/301
2015/0207110 A1* 7/2015 Seong H01M 2/0202
429/179
2015/0221900 A1* 8/2015 Seong H01M 2/0202
429/94
2015/0255763 A1* 9/2015 Lee G04C 10/00
320/128
2015/0303413 A1* 10/2015 Yun H01M 2/0404
429/185

(Continued)

Primary Examiner — Rosemary K Tarcza

Assistant Examiner — Sanjeev Paul

(74) *Attorney, Agent, or Firm* — McAndrews Held & Malloy, Ltd.

(57) **CLAIM**

The ornamental design for a battery, as shown and described.

DESCRIPTION

This application makes reference to:

U.S. Design application Ser. No. 29/491,652 filed May 22, 2014; and

U.S. Design application Ser. No. 29/491,617 filed May 22, 2014.

Each of the above referenced applications, and all of the subject matter disclosed therein, is incorporated herein by reference in its entirety.

FIG. 1 is a top front perspective view of a battery showing our new design;

FIG. 2 is a top plan view thereof;

FIG. 3 is a bottom plan view thereof;

FIG. 4 is a front elevation view thereof;

FIG. 5 is a rear elevation view thereof;

FIG. 6 is a left side elevation view thereof;

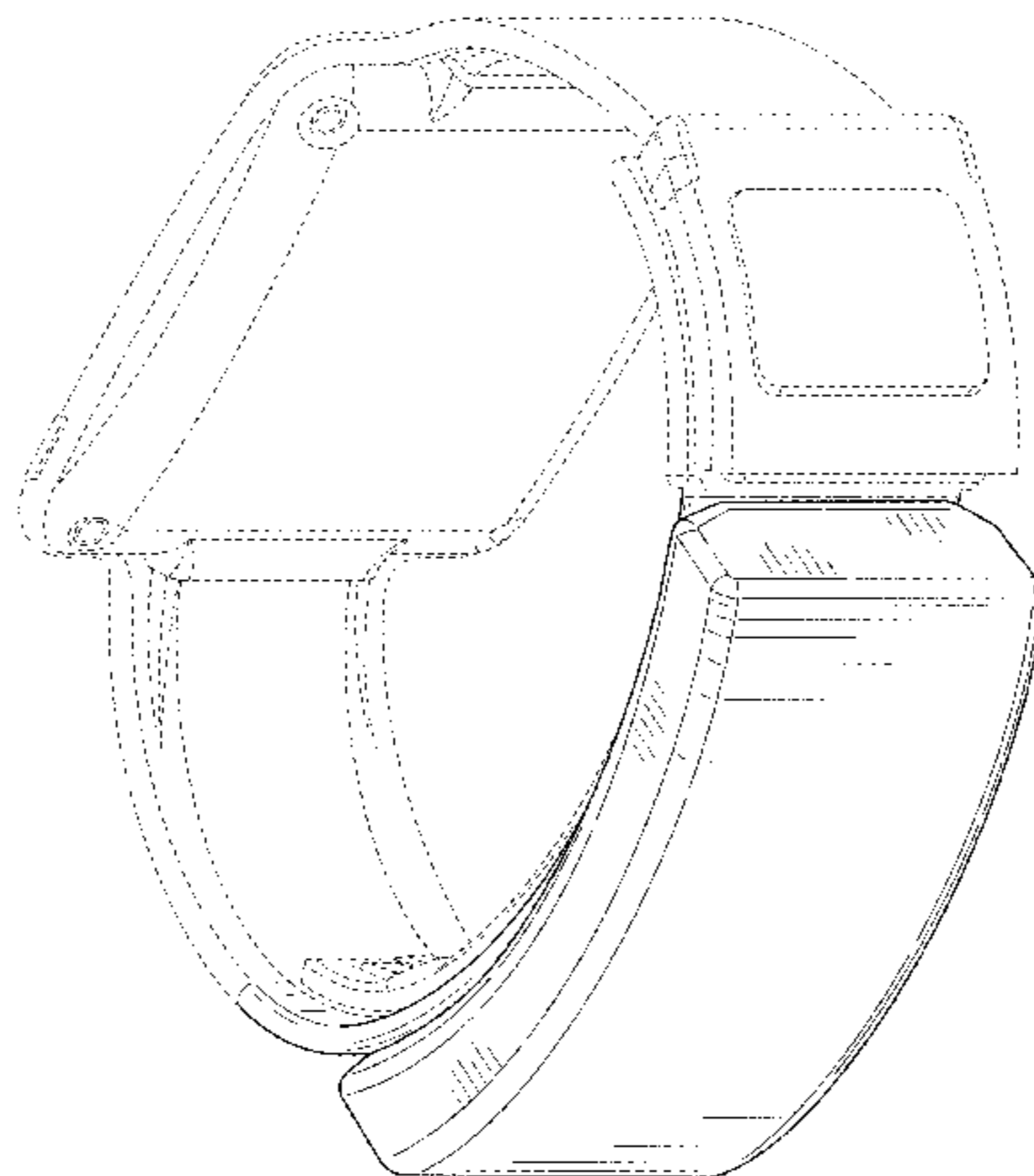
FIG. 7 is a right side elevation view thereof; and,

FIG. 8 is a bottom right front perspective view thereof.

The even length dashed broken lines are for environmental purposes only and form no part of the claimed design.

The uneven length dot-dash broken lines represent an unclaimed boundary line and form no part of the claimed design.

1 Claim, 6 Drawing Sheets



US D760,644 S

Page 2

(56)

References Cited

U.S. PATENT DOCUMENTS

2016/0036014 A1*	2/2016	Lee	H01M 2/0202 429/185
2016/0043354 A1*	2/2016	Han	H01M 2/0202 429/185
2015/0340891 A1*	11/2015	Fish	H02J 7/0042 320/103

* cited by examiner

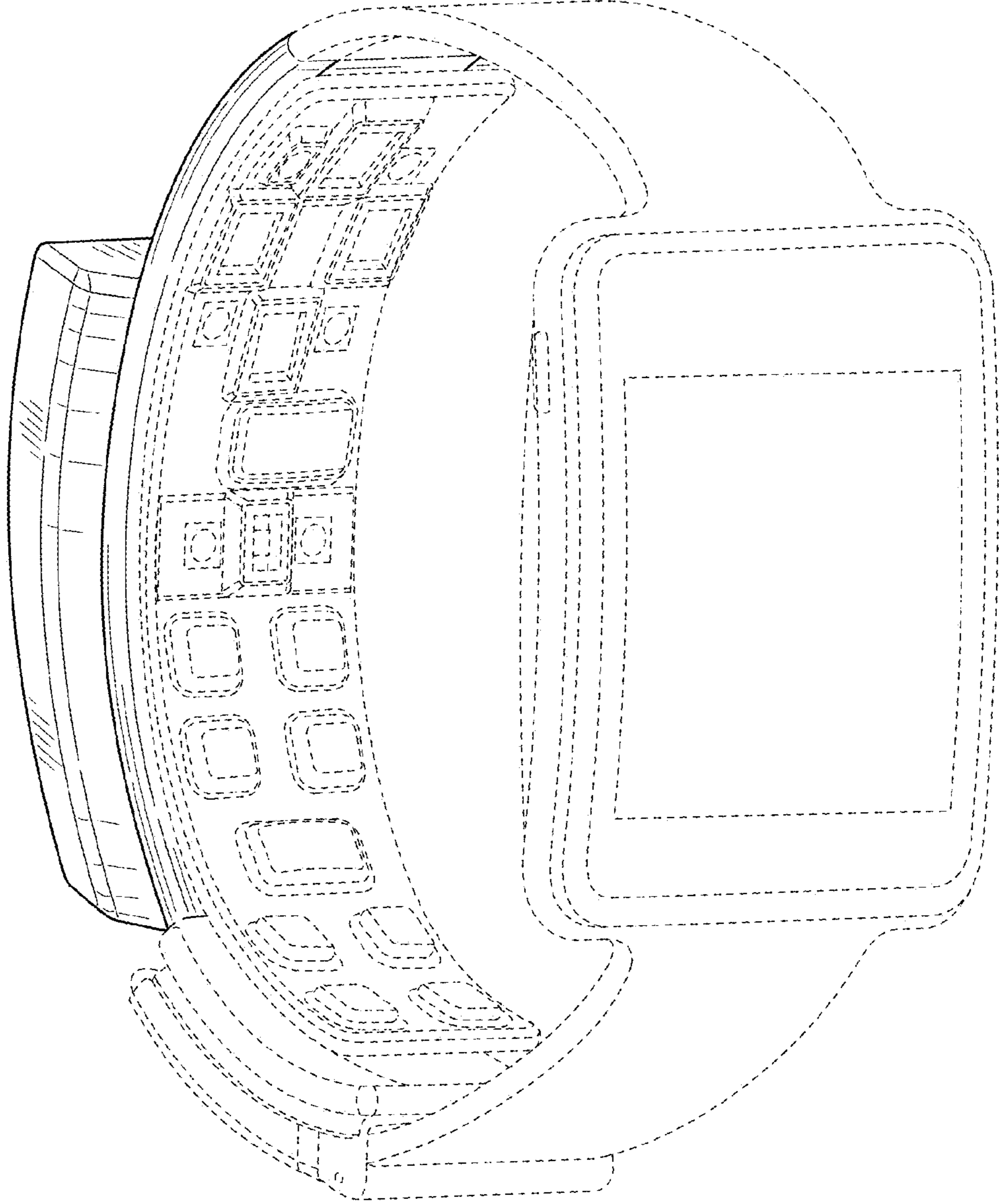


FIG. 1

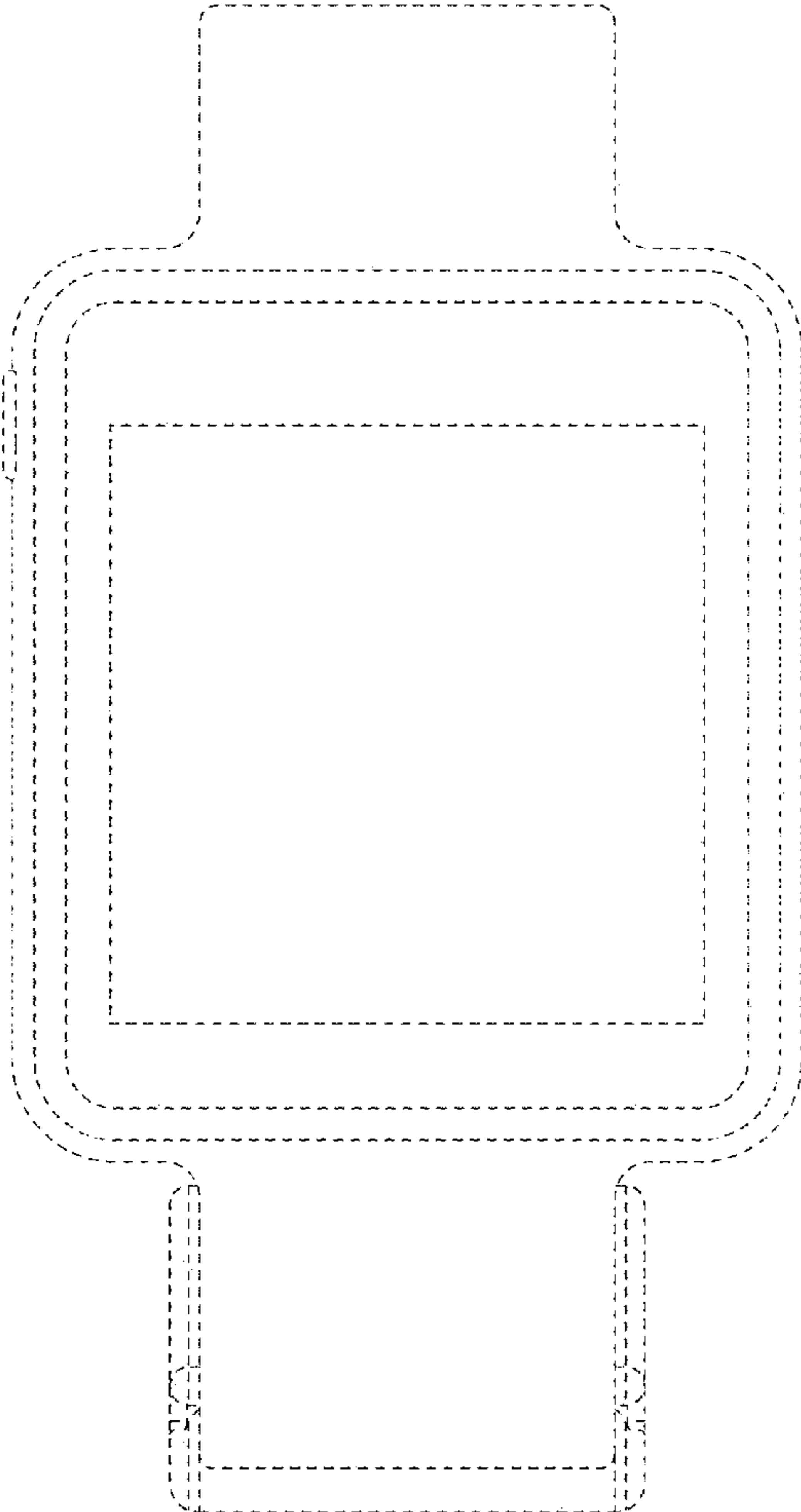


FIG. 2

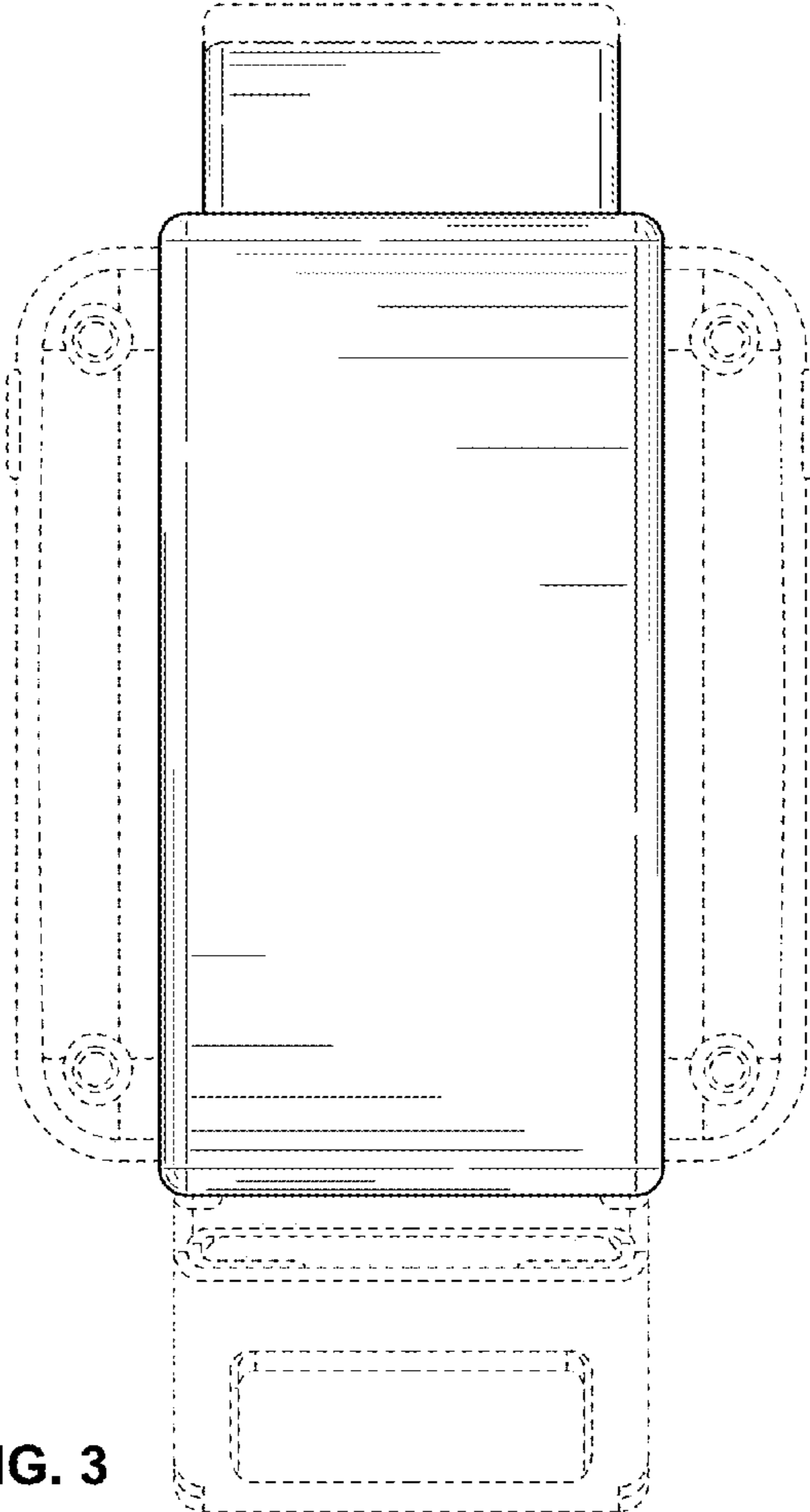


FIG. 3

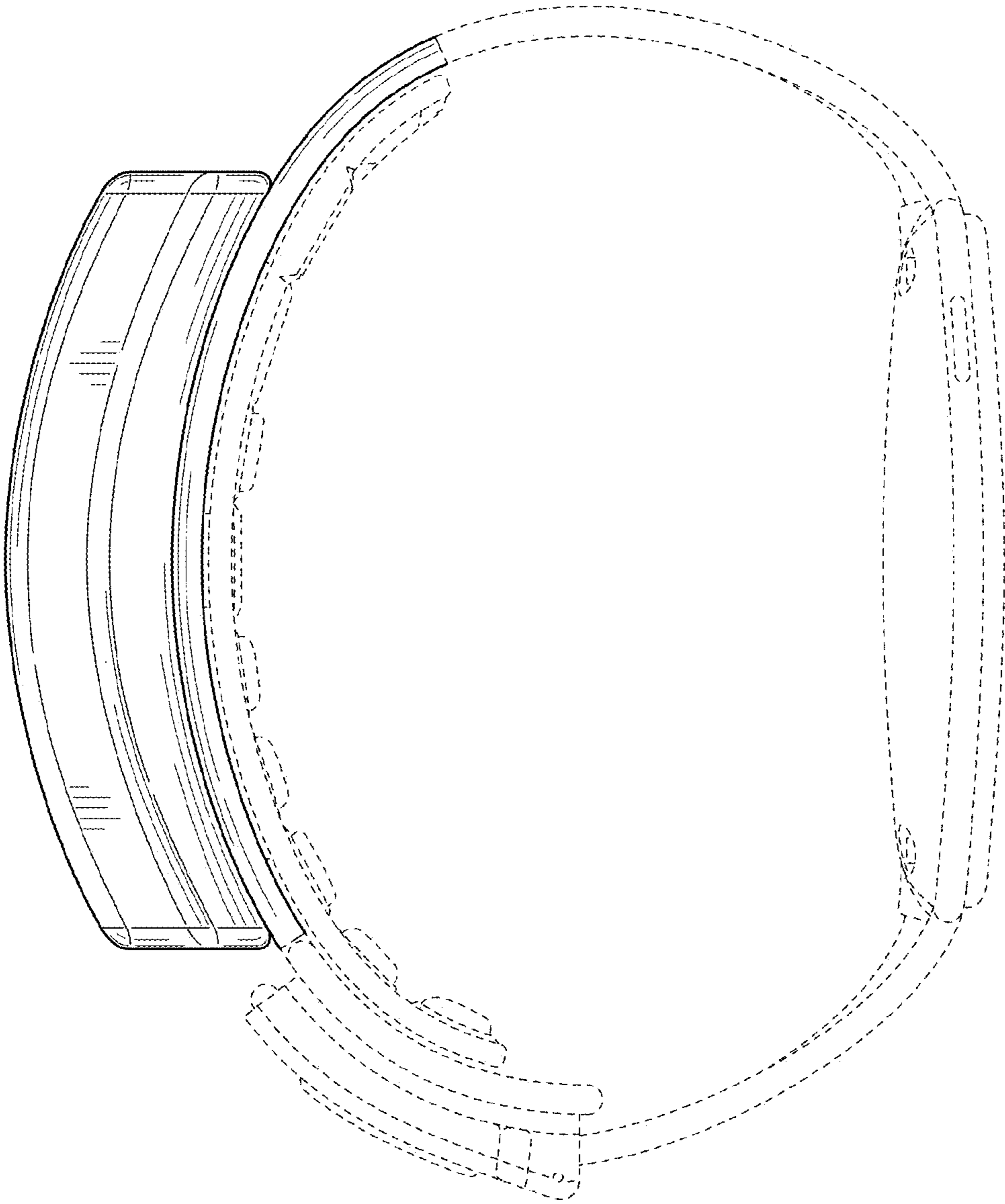


FIG. 4

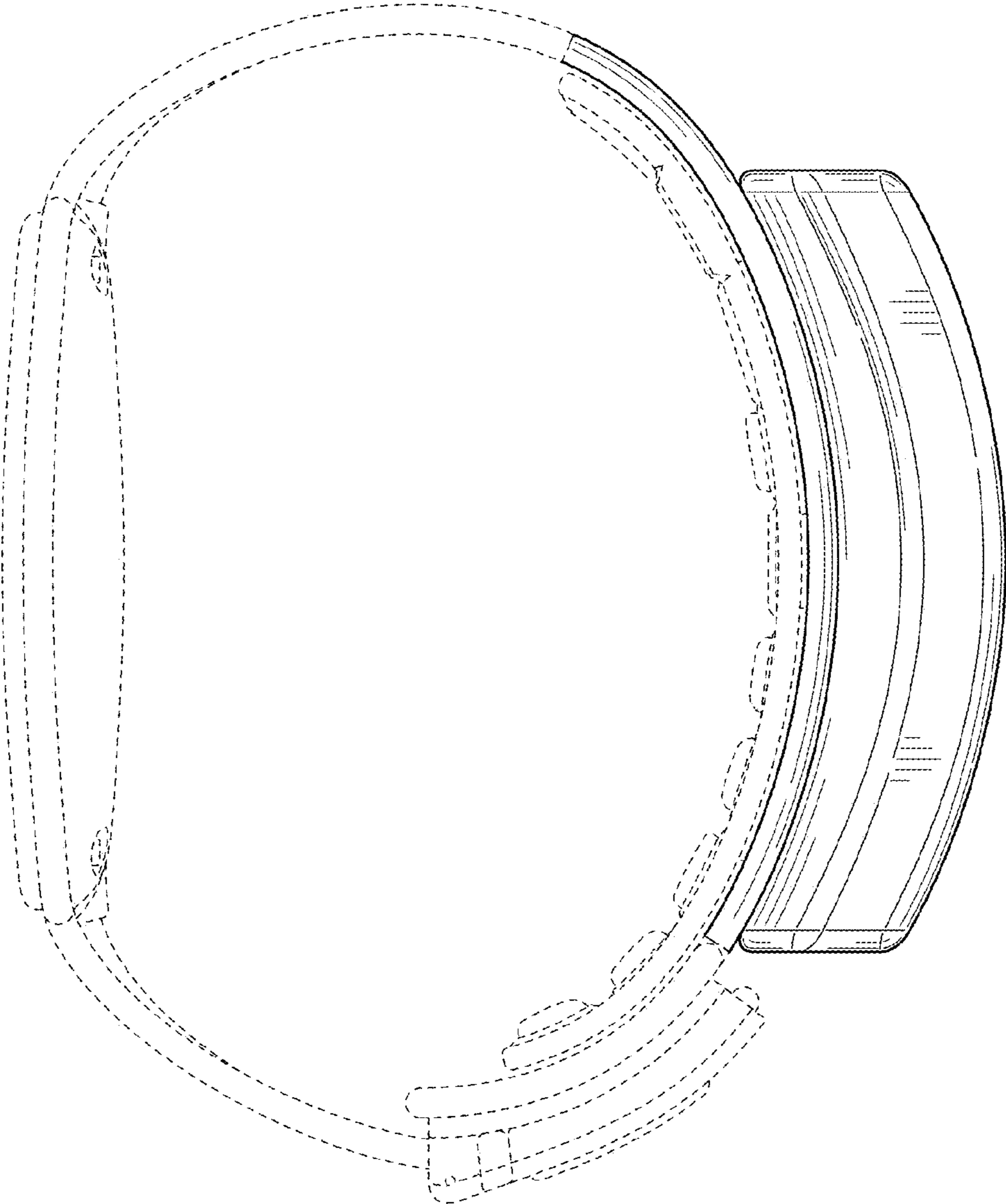


FIG. 5

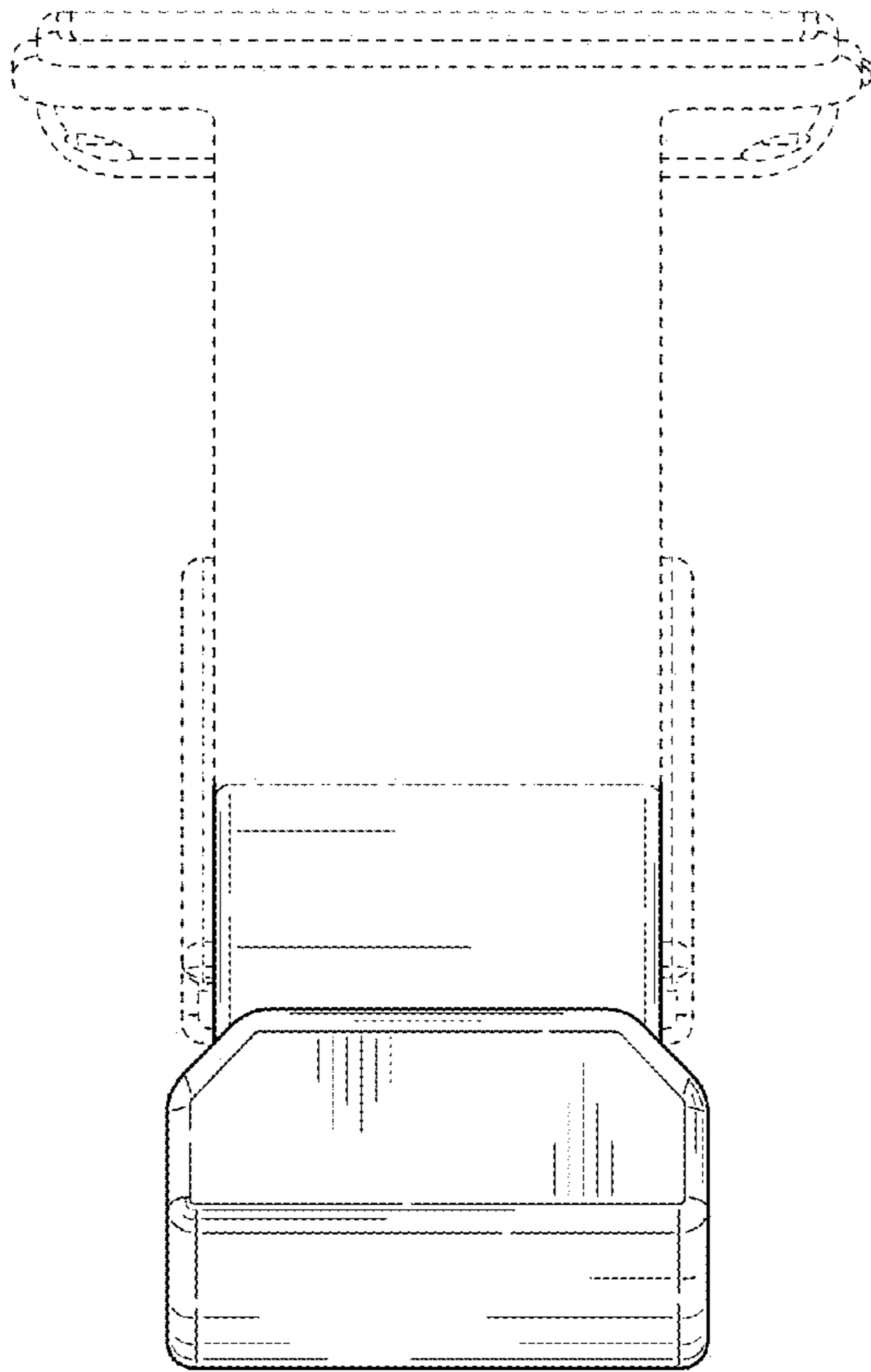


FIG. 6

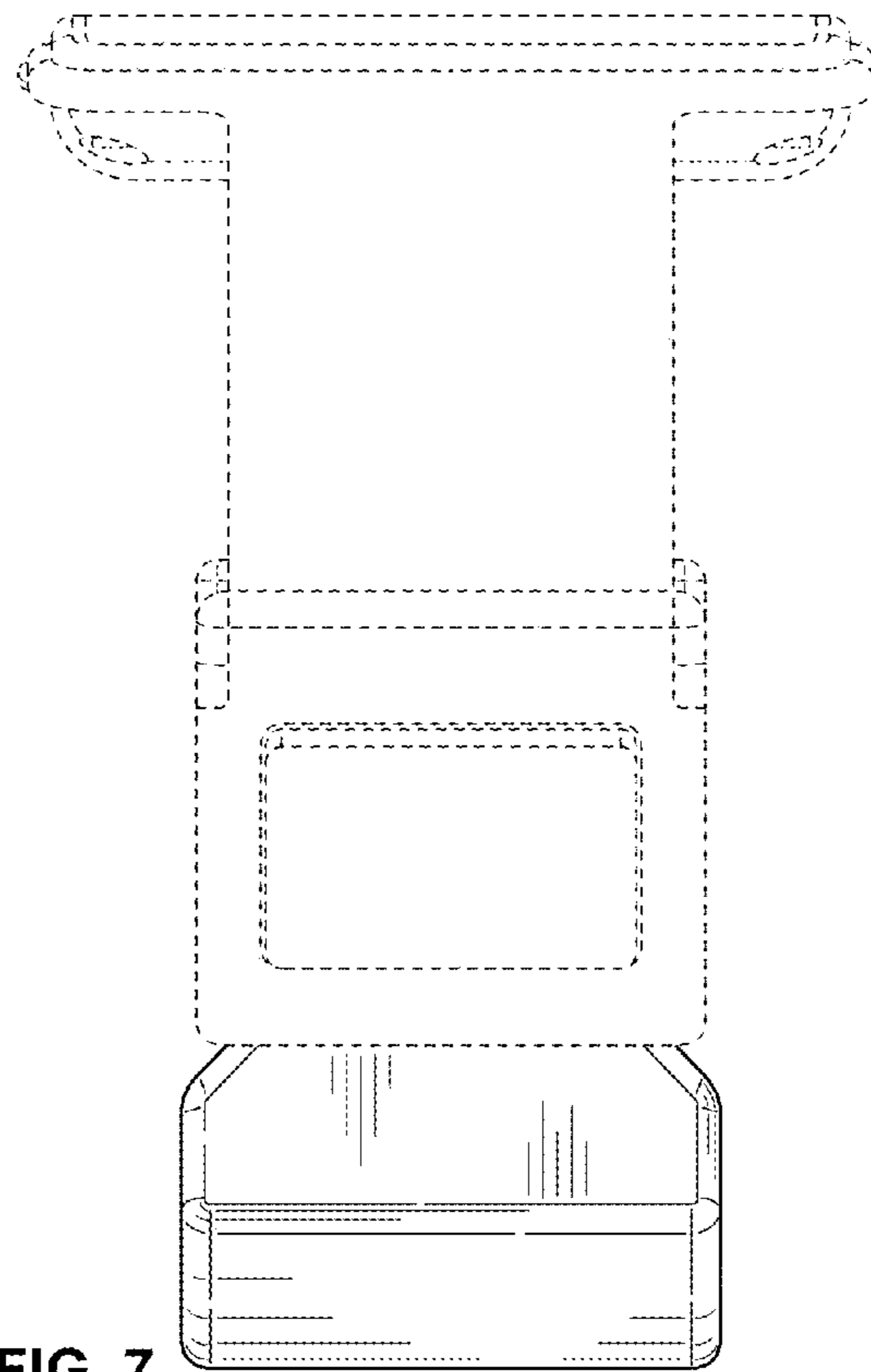


FIG. 7

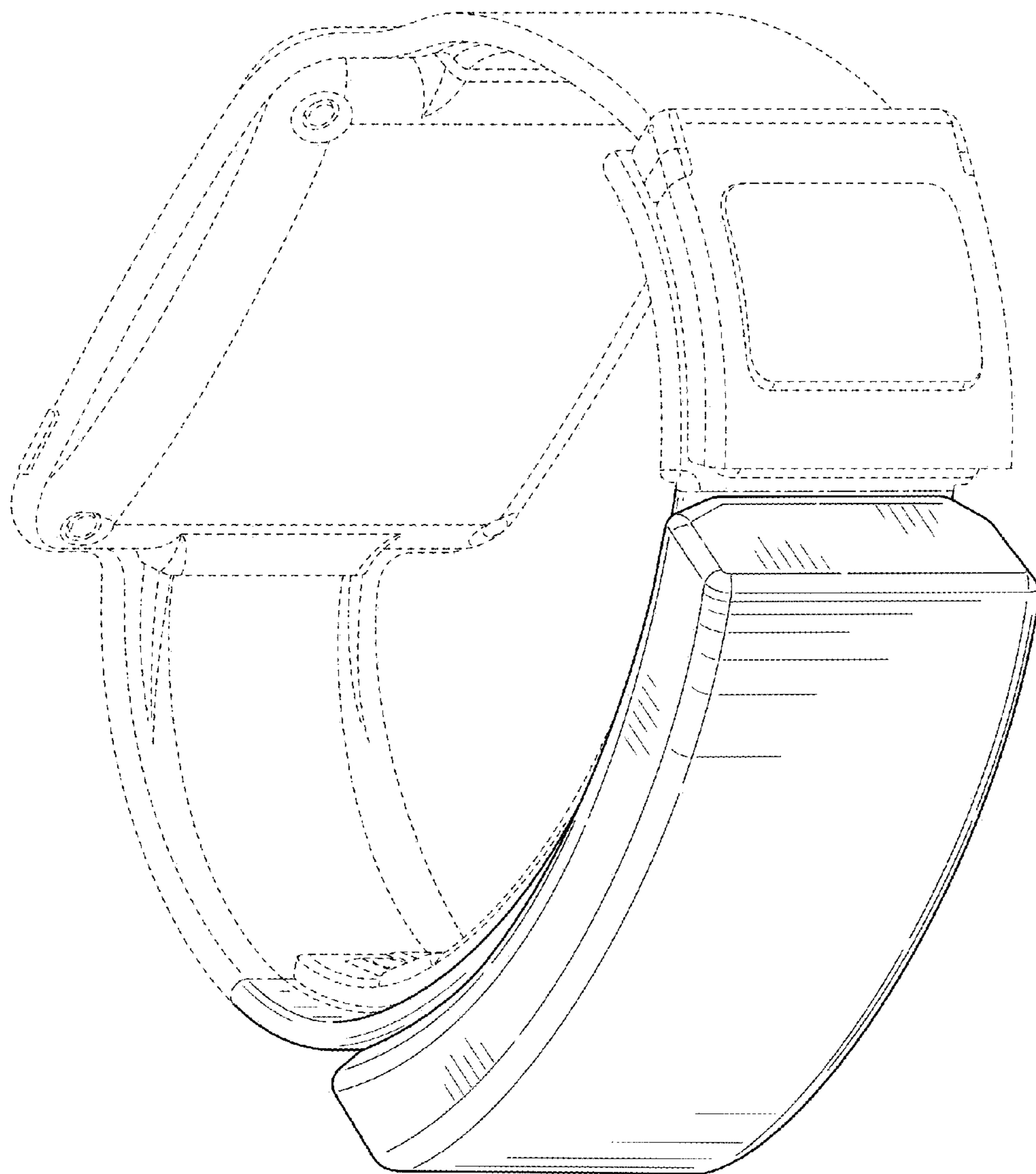


FIG. 8