



US00D760642S

(12) **United States Design Patent**
Takahashi

(10) **Patent No.:** **US D760,642 S**
(45) **Date of Patent:** **** Jul. 5, 2016**

(54) **AUTOMOBILE TIRE**
(71) Applicant: **TOYO TIRE & RUBBER CO., LTD.**,
Osaka-shi, Osaka (JP)
(72) Inventor: **Soichi Takahashi**, Osaka (JP)
(73) Assignee: **TOYO TIRE & RUBBER CO., LTD.**,
Osaka-shi (JP)

D614,567 S * 4/2010 Yonetsu D12/600
D616,811 S * 6/2010 Yonetsu D12/601
D621,779 S * 8/2010 Yonetsu D12/586
D631,428 S * 1/2011 Yonetsu D12/600
D693,290 S * 11/2013 Yonetsu D12/586
D700,132 S * 2/2014 Wang D12/588
D746,221 S * 12/2015 Tian D12/588

(**) Term: **14 Years**
(21) Appl. No.: **29/498,011**
(22) Filed: **Jul. 30, 2014**

FOREIGN PATENT DOCUMENTS

JP 1014364 S 7/1998

* cited by examiner

Primary Examiner — Robert M Spear
Assistant Examiner — John Voytek

(74) *Attorney, Agent, or Firm* — Westerman, Hattori,
Daniels & Adrian, LLP

(30) **Foreign Application Priority Data**
Jun. 25, 2014 (JP) 2014-013853
(51) **LOC (10) Cl.** **12-15**
(52) **U.S. Cl.**
USPC **D12/600**
(58) **Field of Classification Search**
USPC D12/500–568, 580–604, 900
CPC B60C 1/0016; B60C 11/0306; B60C
11/0302; B60C 3/06; B60C 9/17
See application file for complete search history.

(57) **CLAIM**

The ornamental design for an automobile tire, as shown and described.

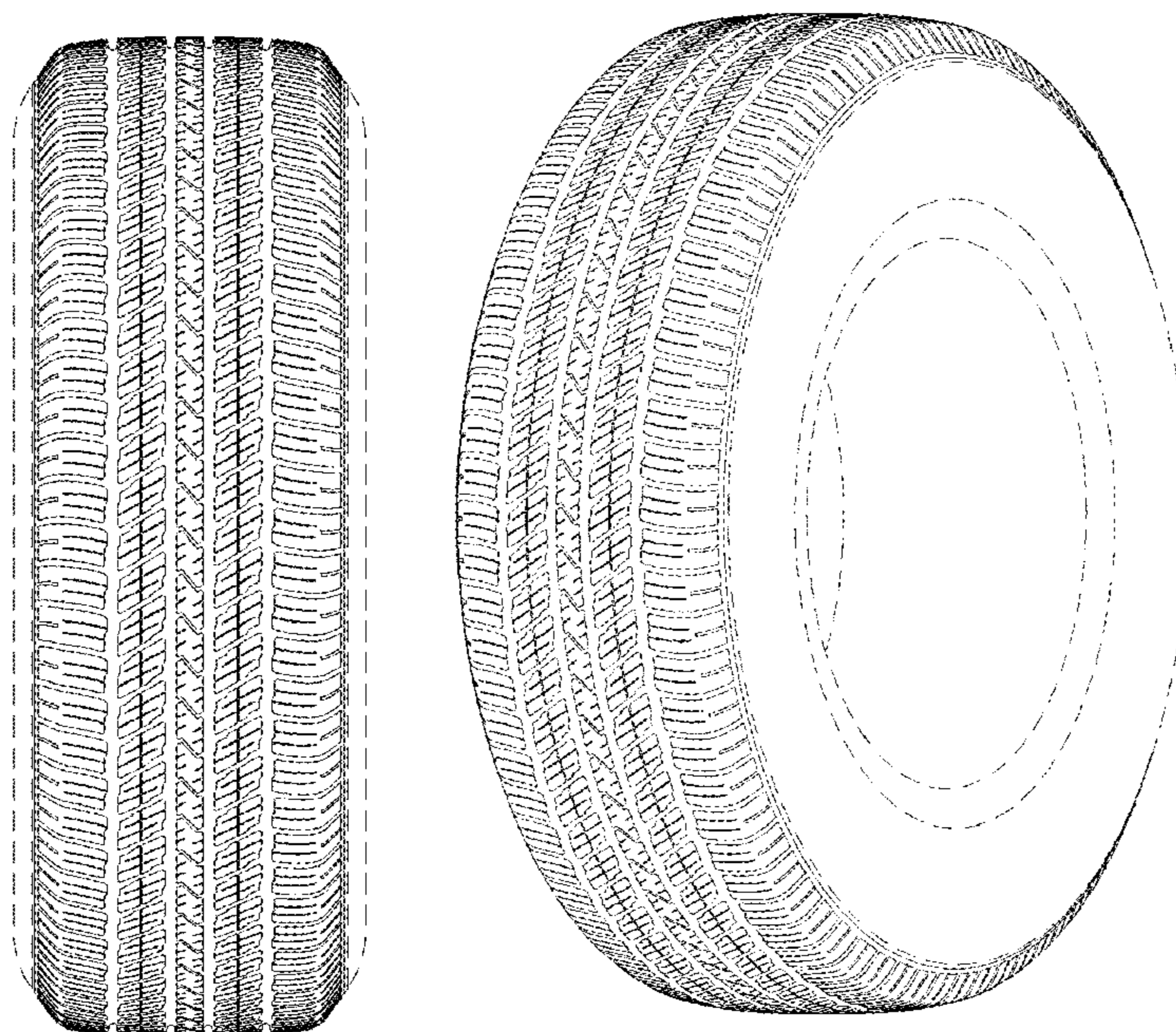
DESCRIPTION

FIG. 1 is a front elevational view of an automobile tire showing my new design;
FIG. 2 is a top plan view thereof;
FIG. 3 is a right side elevational view thereof;
FIG. 4 is a perspective view thereof;
FIG. 5 is an enlarged cross-sectional view along the line 5-5 in FIG. 1, in the area designated by “5” in FIG. 3 thereof; and,
FIG. 6 is an enlarged detail view thereof, identified by line 6-6 and line 6'-6' in FIG. 1.

The broken lines illustrate environmental structure only and form no part of the claimed design.

(56) **References Cited**
U.S. PATENT DOCUMENTS
D386,725 S * 11/1997 Matsuda D12/601
D596,112 S * 7/2009 Kawakami D12/601
D596,113 S * 7/2009 Kawakami D12/601
D596,114 S * 7/2009 Kawakami D12/601

1 Claim, 6 Drawing Sheets



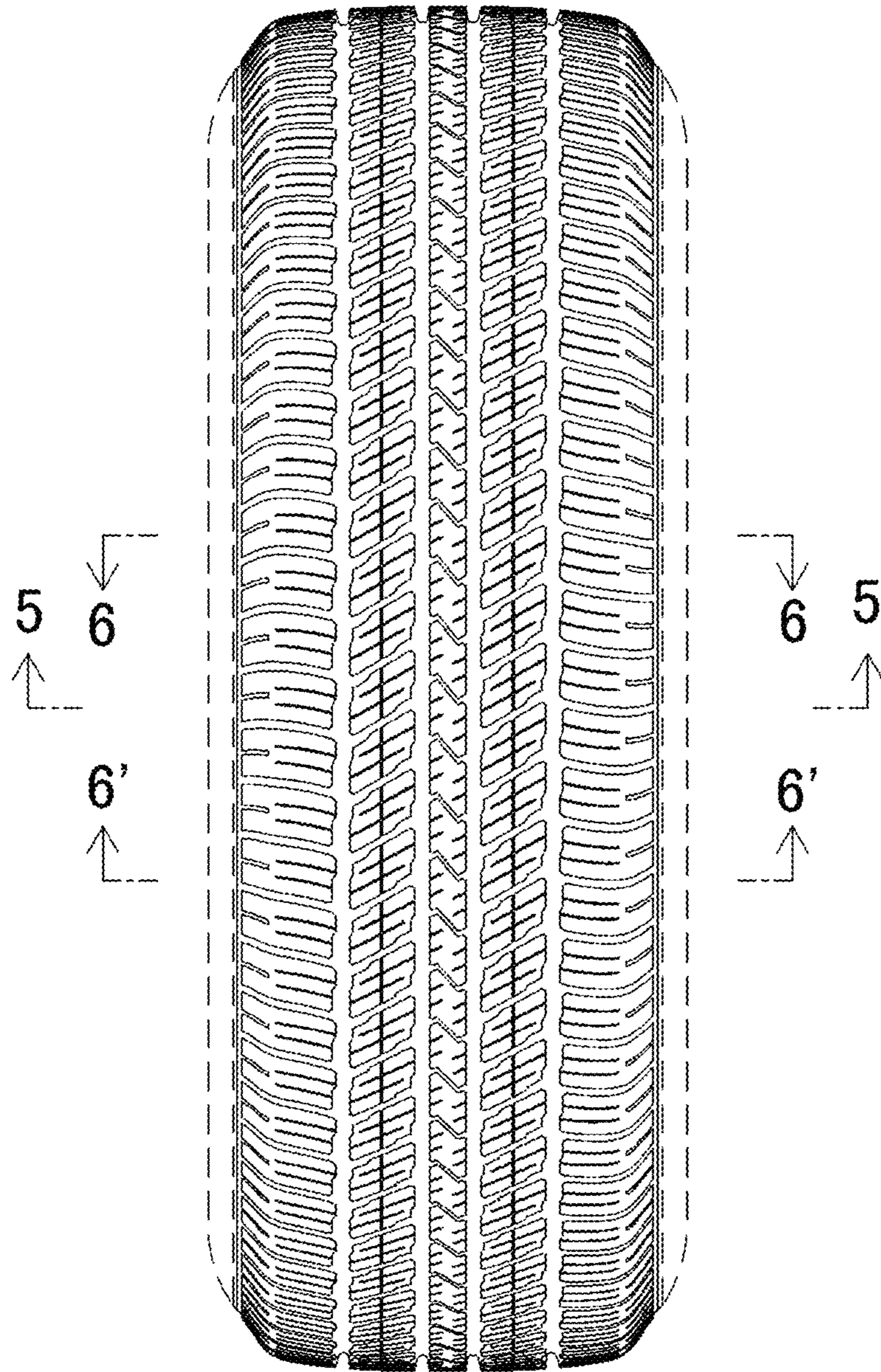


FIG. 1

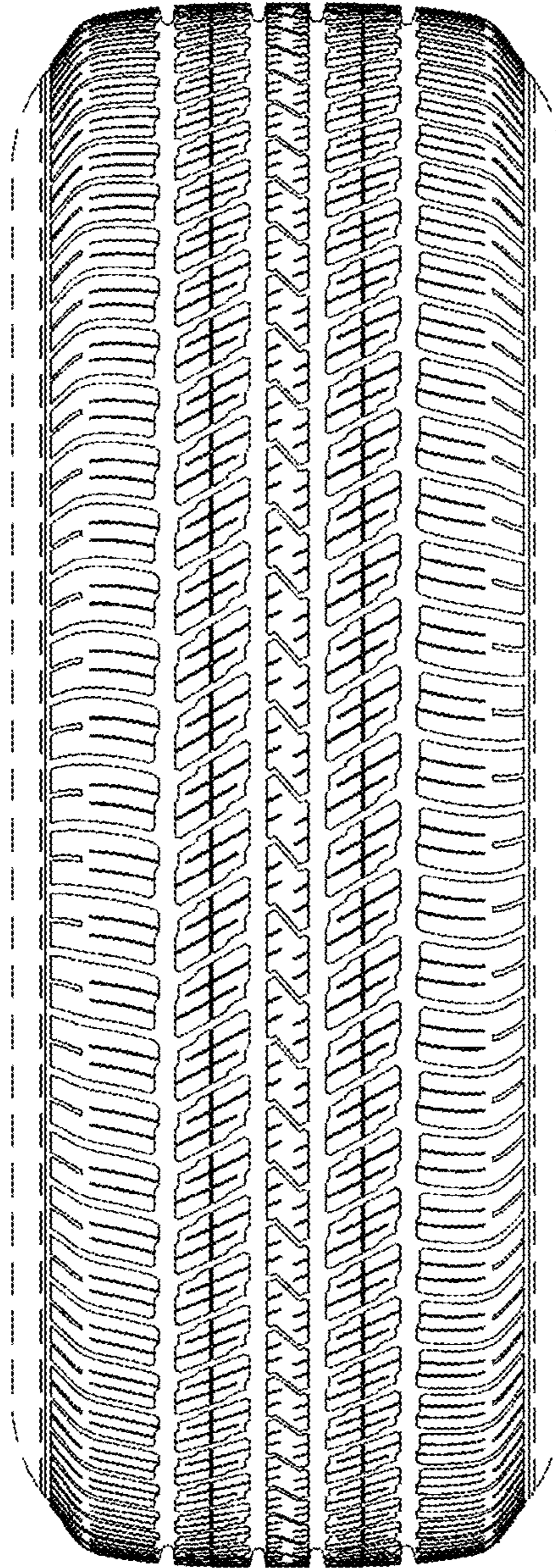


FIG.2

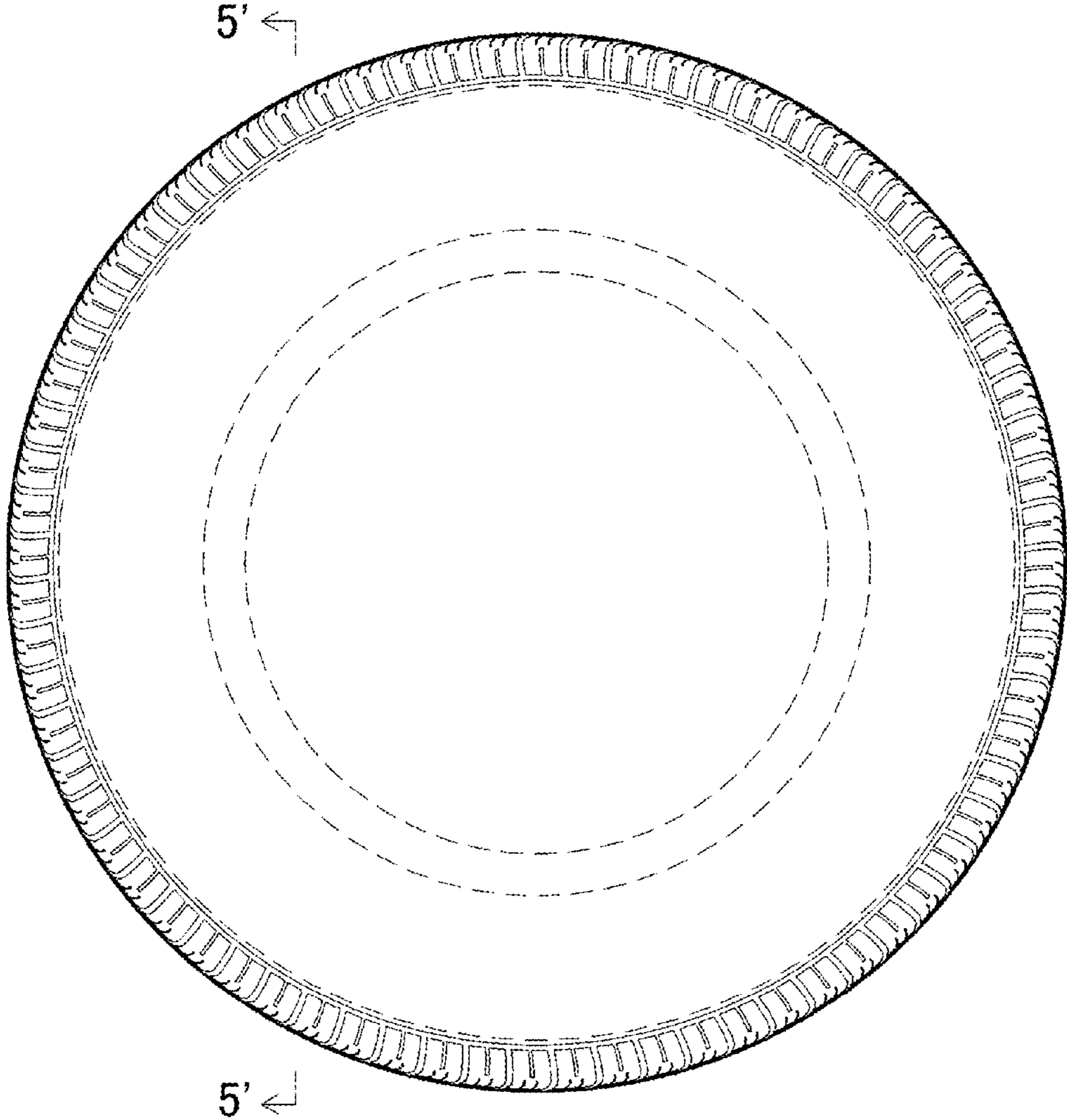


FIG.3

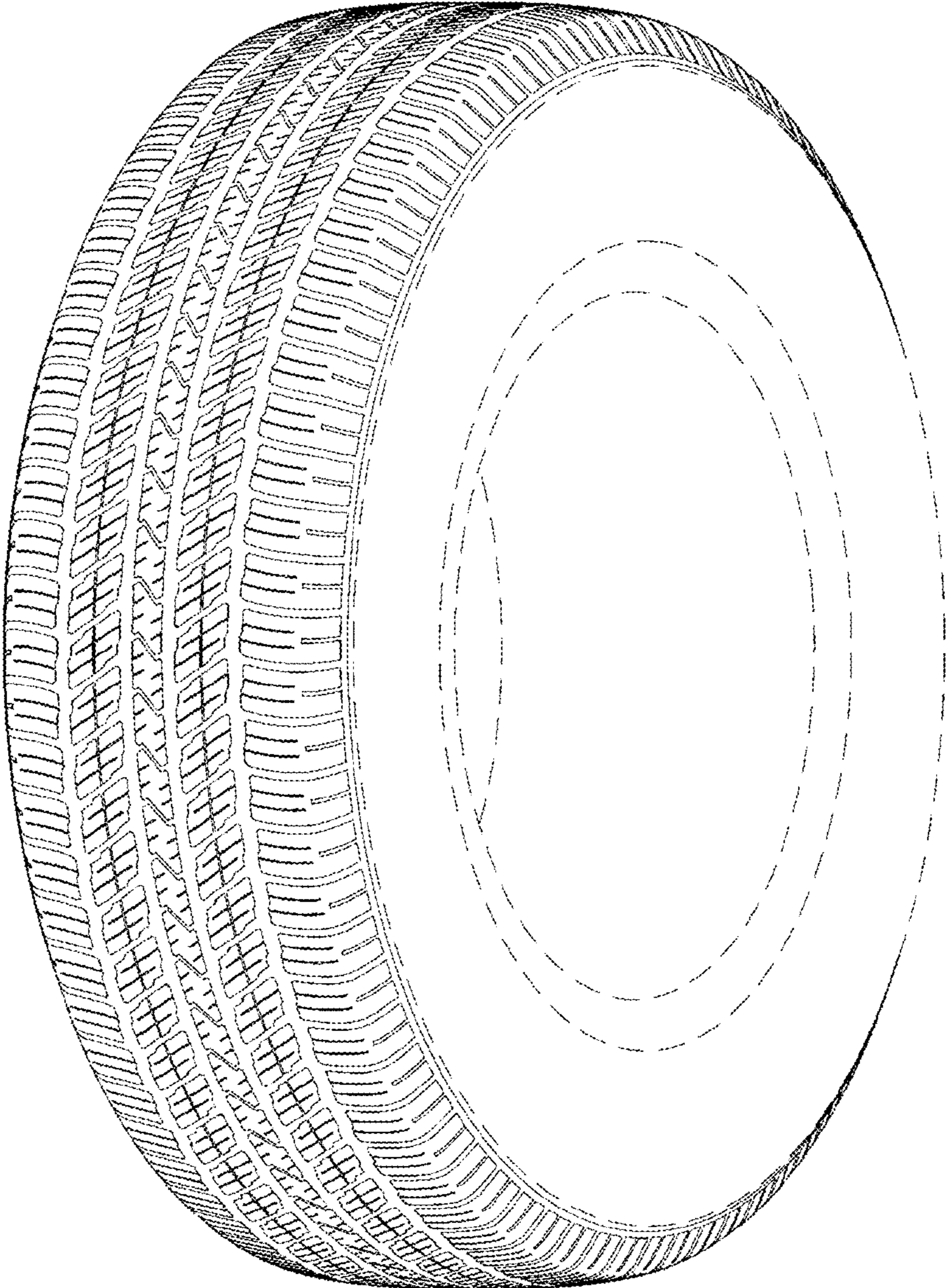


FIG.4

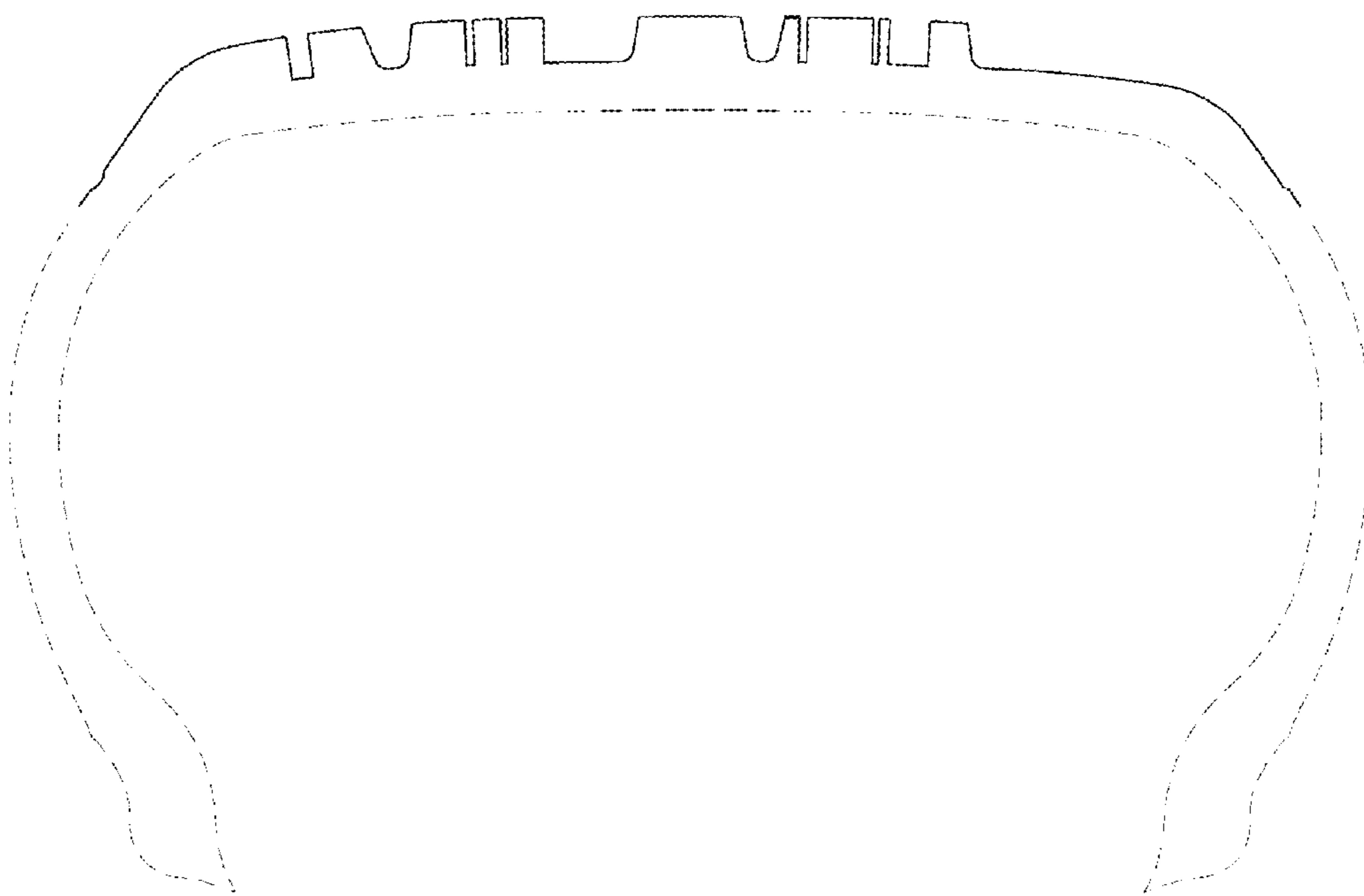


FIG.5

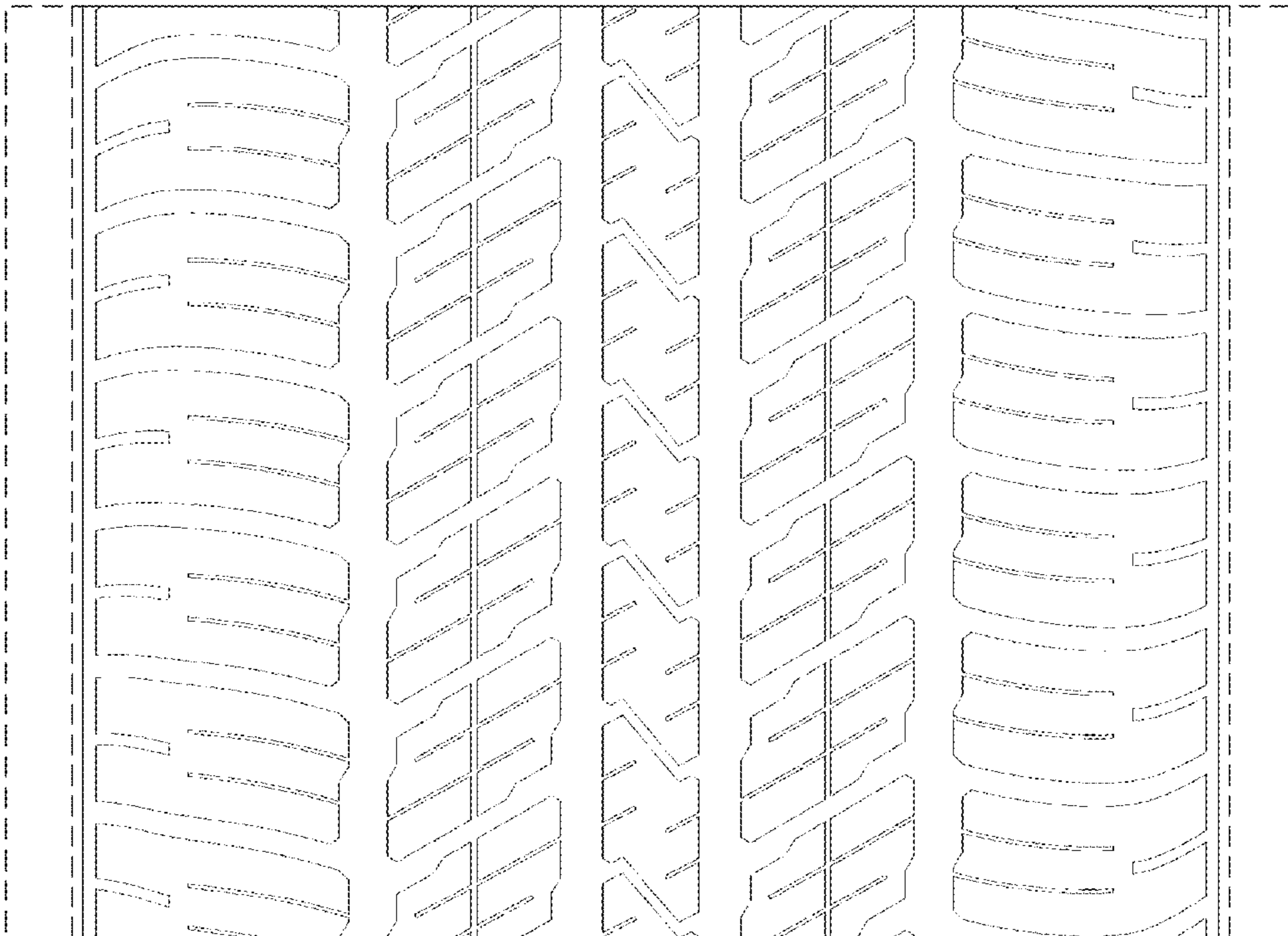


FIG.6