

US00D760640S

(12) **United States Design Patent**  
**Chen**

(10) **Patent No.:** **US D760,640 S**  
(45) **Date of Patent:** **\*\* Jul. 5, 2016**

(54) **TIRE TREAD**

(71) Applicant: **COOPER TIRE & RUBBER COMPANY**, Findlay, OH (US)

(72) Inventor: **Kitty F. Chen**, Shanghai (CN)

(73) Assignee: **COOPER TIRE & RUBBER COMPANY**, Lima, OH (US)

(\*\*) Term: **14 Years**

(21) Appl. No.: **29/491,810**

(22) Filed: **May 23, 2014**

(51) **LOC (10) Cl.** ..... **12-15**

(52) **U.S. Cl.**  
USPC ..... **D12/523**

(58) **Field of Classification Search**  
USPC ..... D12/500–532, 900–901  
CPC ..... B60C 11/0304; B60C 11/0302; B60C 11/0306; B60C 11/0309; B60C 11/0318; B60C 11/0311; B60C 11/042; B60C 11/13; B60C 11/00; B60C 11/11; B60C 11/12

See application file for complete search history.

(56) **References Cited**

U.S. PATENT DOCUMENTS

D439,870 S *	4/2001	Lovell .....	D12/519
D490,045 S *	5/2004	Delu .....	D12/519
D513,400 S *	1/2006	Sakaguchi .....	D12/523
D559,766 S *	1/2008	Hirai .....	D12/519
D682,773 S *	5/2013	Kuwano .....	D12/523
D730,809 S *	6/2015	Bonifas .....	D12/523
D743,873 S *	11/2015	Majerus .....	D12/523

\* cited by examiner

*Primary Examiner* — Stacia Cadmus

(74) *Attorney, Agent, or Firm* — Fay Sharpe LLP

(57) **CLAIM**

The ornamental design for a tire tread, as shown and described.

**DESCRIPTION**

FIG. 1 is a perspective view of a tire tread showing my new design;

FIG. 2 is a side view thereof;

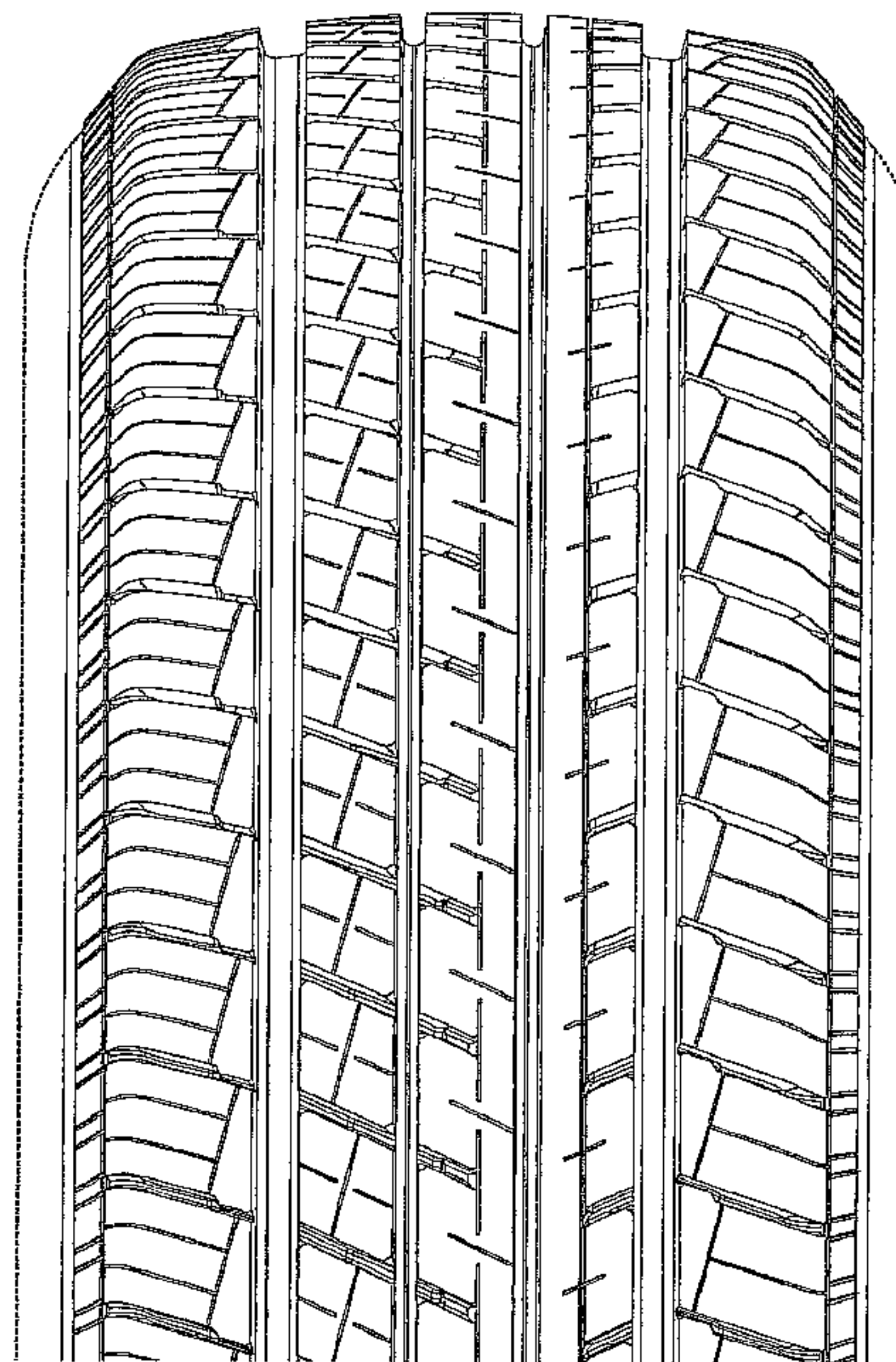
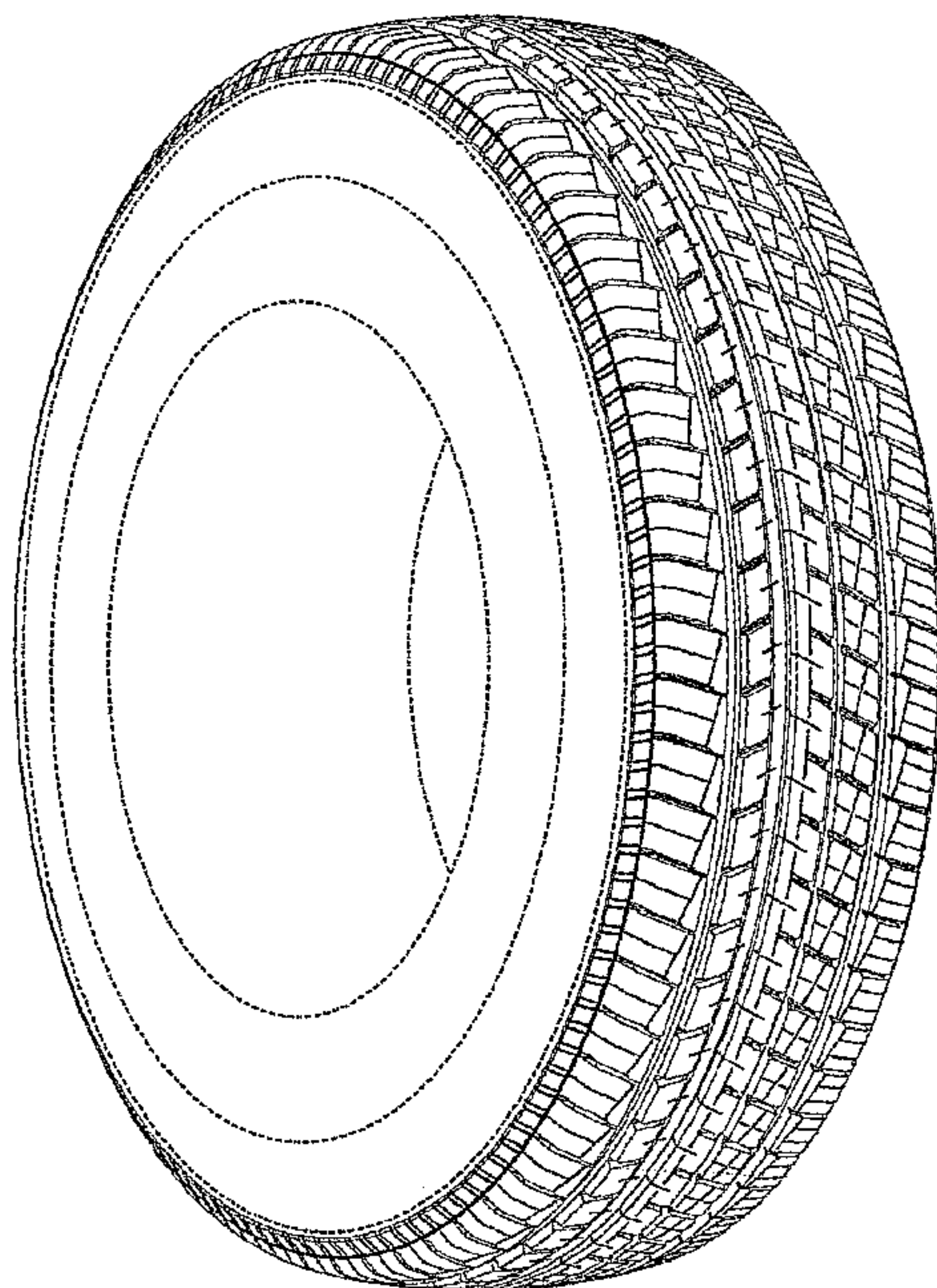
FIG. 3 is a side view, showing the opposite side from FIG. 2;

FIG. 4 is a front view thereof; and,

FIG. 5 is an enlarged fragmentary front view thereof.

The broken line showings of the sidewall, inner bead, and the peripheral boundary between the tire tread and the sidewall is included for the purpose of illustrating environment and forms no part of the claim.

**1 Claim, 5 Drawing Sheets**



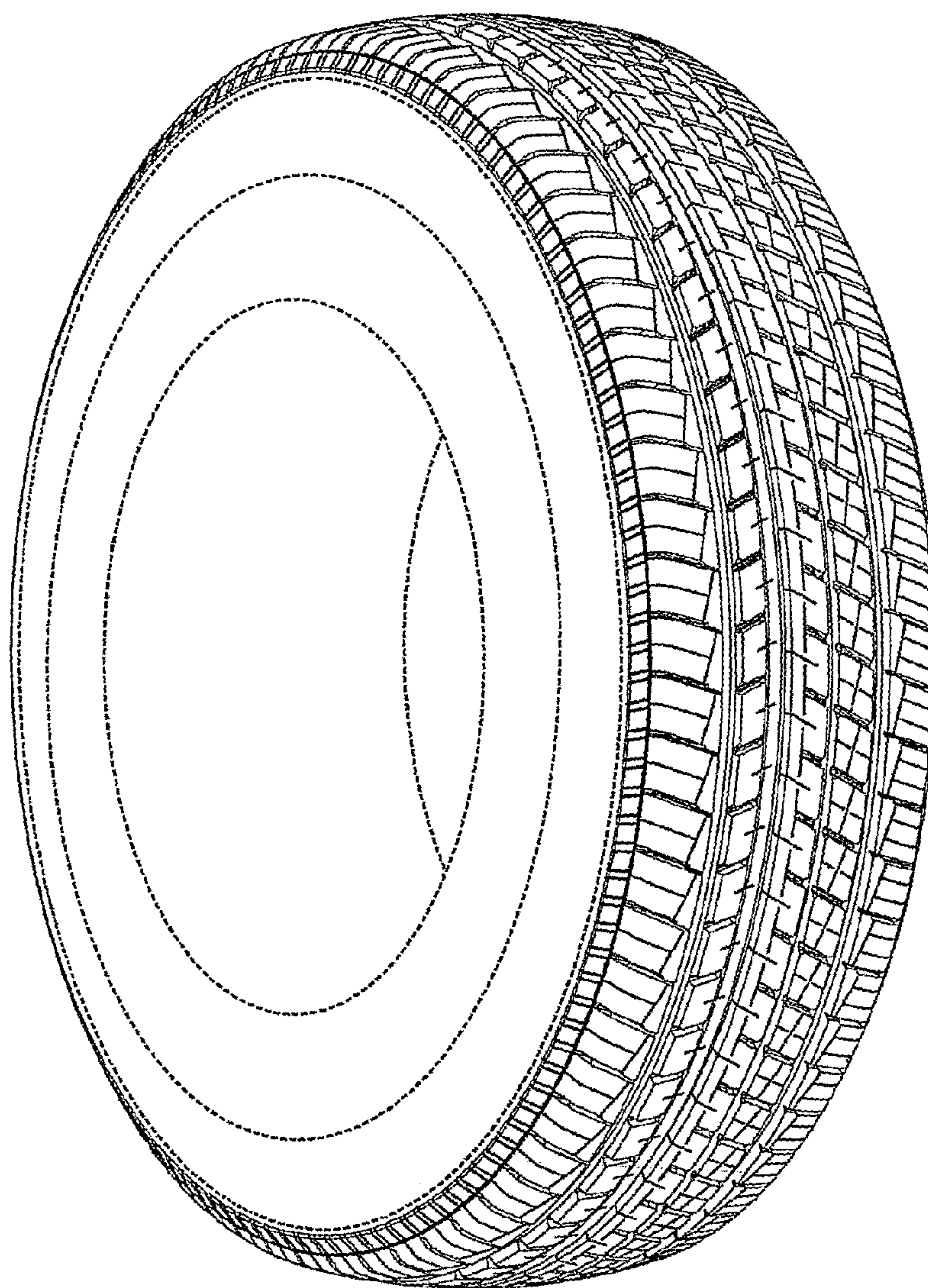


FIG. 1



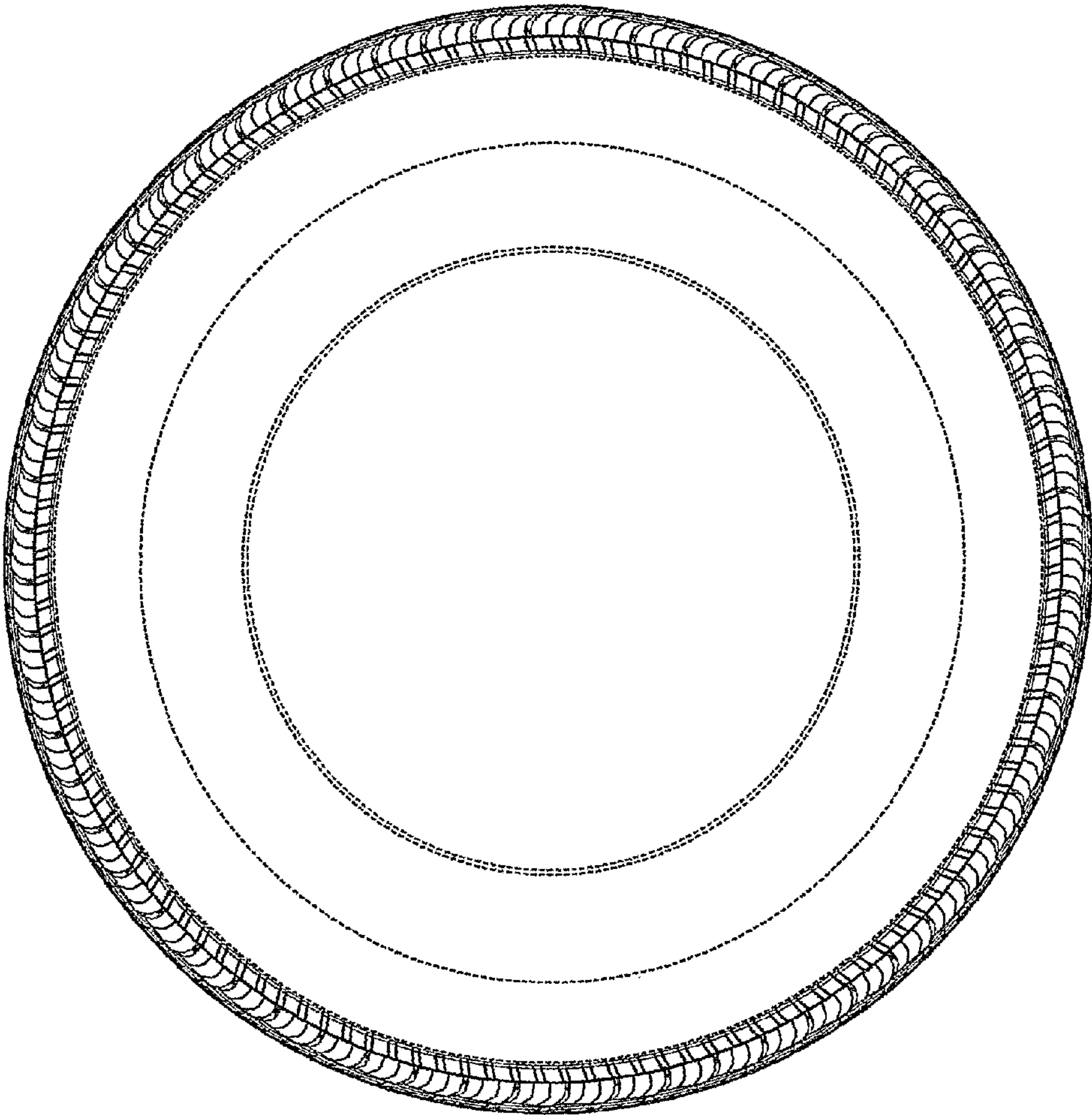


FIG. 2

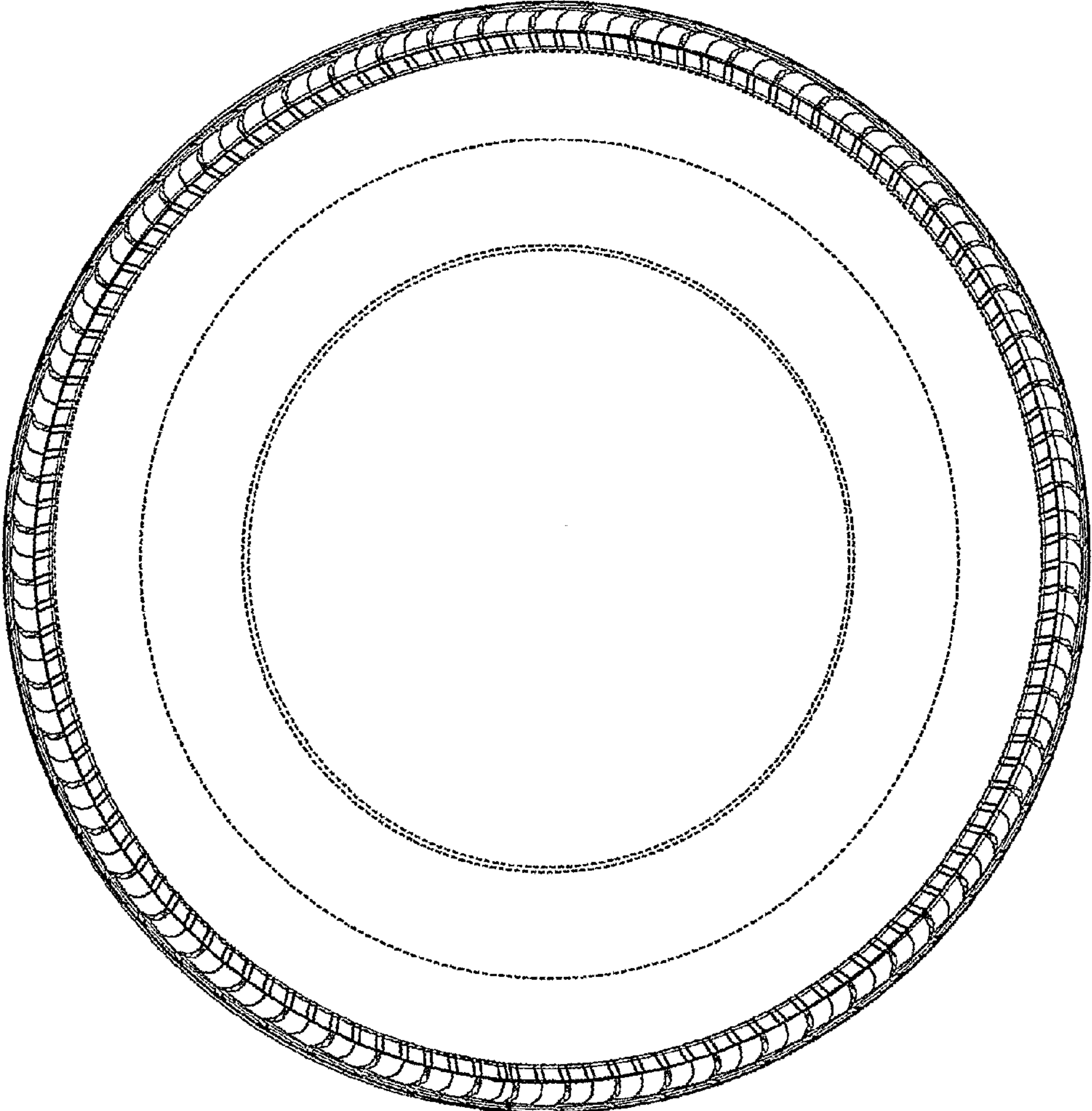


FIG. 3

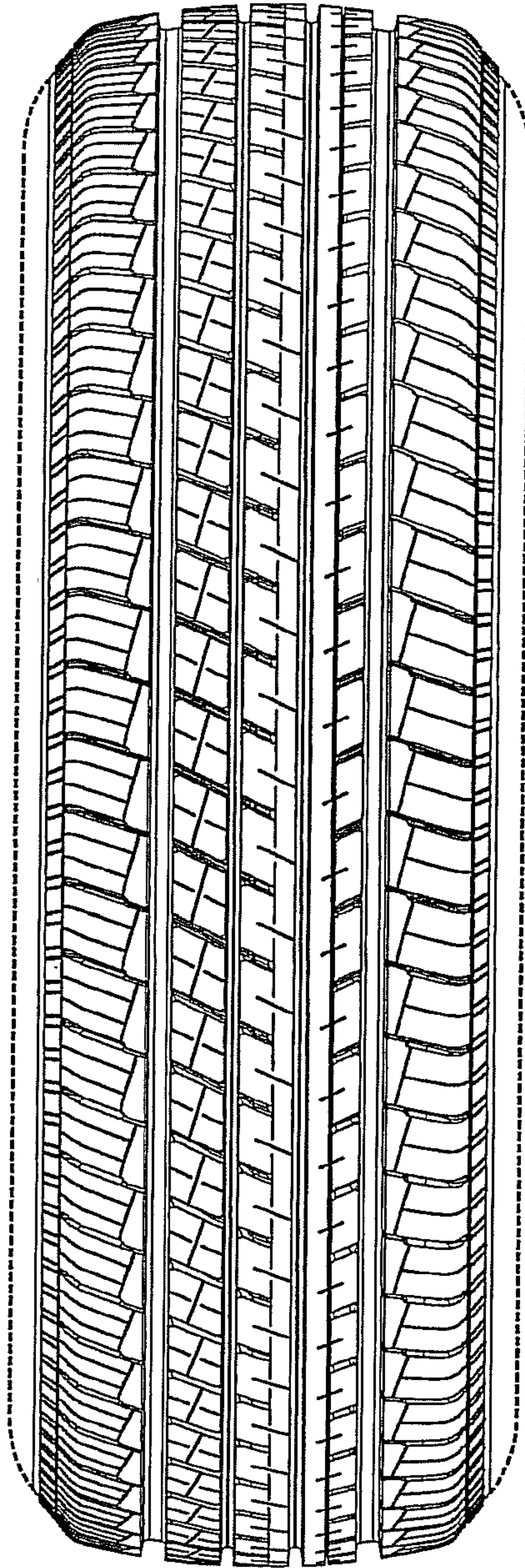


FIG. 4



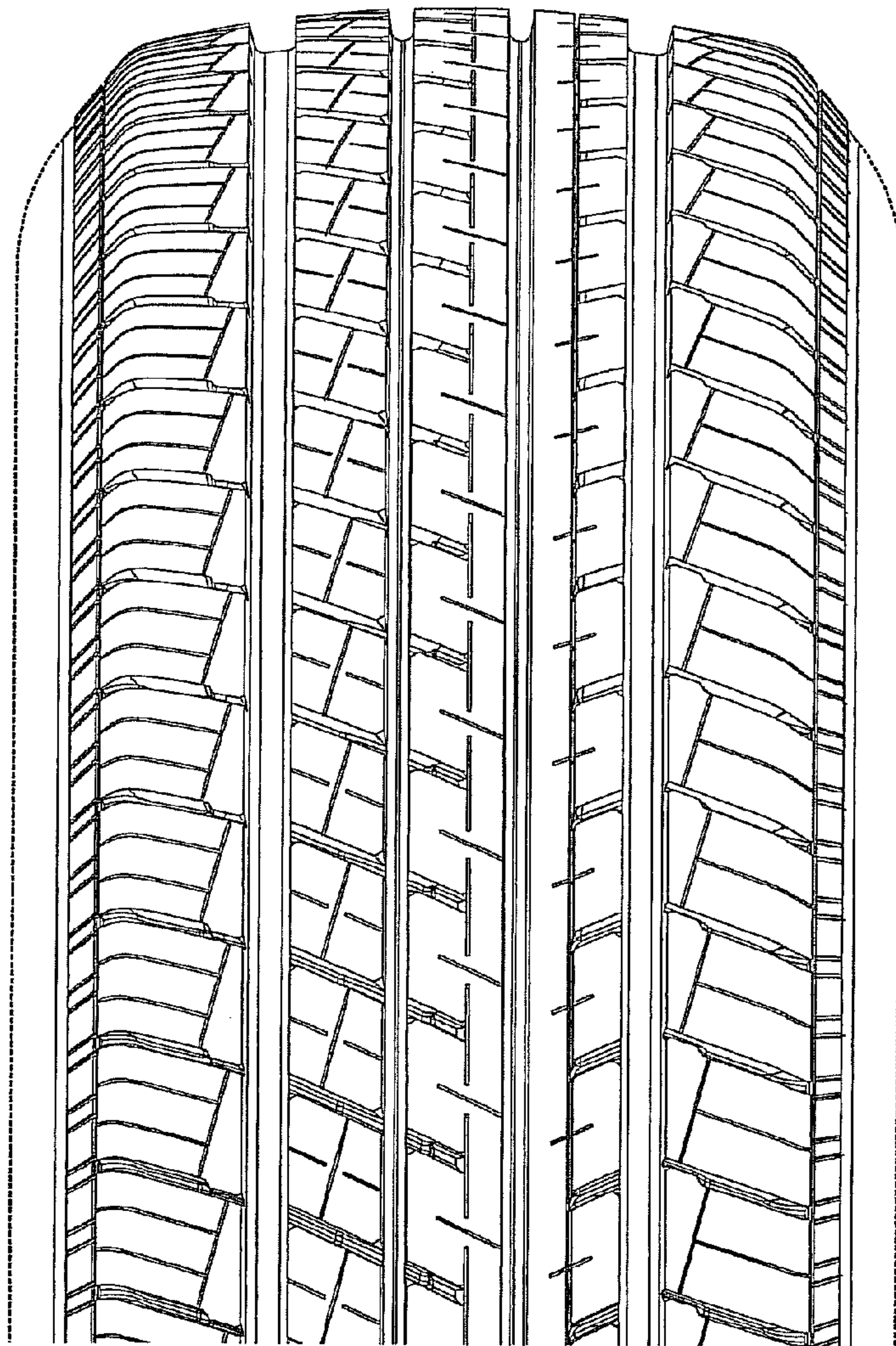


FIG. 5