



US00D760639S

(12) **United States Design Patent**  
**Kasparian et al.**

(10) **Patent No.:** **US D760,639 S**  
(45) **Date of Patent:** **\*\* \*Jul. 5, 2016**

(54) **COCKPIT USER INPUT DEVICE**

(71) Applicant: **Gulfstream Aerospace Corporation,**  
Savannah, GA (US)

(72) Inventors: **Aram Kasparian,** Savannah, GA (US);  
**Andrew Fulford,** Northville, MI (US)

(73) Assignee: **Gulfstream Aerospace Corporation,**  
Savannah, GA (US)

(\*) Notice: This patent is subject to a terminal disclaimer.

(\*\*) Term: **14 Years**

(21) Appl. No.: **29/506,169**

(22) Filed: **Oct. 14, 2014**

(51) **LOC (10) Cl.** ..... **12-07**

(52) **U.S. Cl.**  
USPC ..... **D12/345**

(58) **Field of Classification Search**  
USPC ..... D6/336, 384, 653, 654, 665, 657, 663,  
D6/672, 573; D7/602, 603, 614; D12/319,  
D12/323, 325, 336, 345, 192, 423, 415, 416,  
D12/179, 180, 182; D21/436, 447, 448,  
D21/449, 453  
CPC ..... B64C 13/04; B64D 11/0007; B64D  
11/0015; B64D 11/003; B64D 11/04; B64D  
2011/0046; B64D 11/0629; B64B 1/10  
See application file for complete search history.

(56) **References Cited**

U.S. PATENT DOCUMENTS

D563,300 S \* 3/2008 Nishimura ..... D12/192  
D575,212 S \* 8/2008 Tsay ..... D12/192  
D576,931 S \* 9/2008 Ravindra ..... D12/179  
D640,180 S \* 6/2011 Moneypenny ..... D12/345  
D641,674 S \* 7/2011 Kim ..... D12/192

D682,771 S \* 5/2013 Amante ..... D12/192  
D704,113 S \* 5/2014 Bose ..... D12/192  
8,766,933 B2 \* 7/2014 Makinen ..... G09B 21/003  
345/173  
D730,805 S \* 6/2015 Tran ..... D12/192  
9,123,258 B2 \* 9/2015 Makinen ..... G09B 21/004  
2007/0198141 A1 \* 8/2007 Moore ..... B64D 43/00  
701/3  
2010/0044120 A1 \* 2/2010 Richter ..... G06F 3/044  
178/18.01  
2012/0085870 A1 \* 4/2012 Coote ..... B60N 2/4693  
244/234

\* cited by examiner

*Primary Examiner* — Robert M Spear

*Assistant Examiner* — Marissa J Cash

(74) *Attorney, Agent, or Firm* — Ingrassia, Fisher & Lorenz  
PC

(57) **CLAIM**

The ornamental design for a cockpit user input device, as shown and described.

**DESCRIPTION**

The patent or application file contains a least one drawing executed in color. Copies of this patent or patent application publication with color drawing(s) will be provided by the Office upon request and payment of the necessary fee.

FIG. 1 is a front perspective view of a cockpit user input device in a center console showing our new design;

FIG. 2 is a front view thereof, with environmental structure removed for clarity of disclosure;

FIG. 3 is a back view thereof;

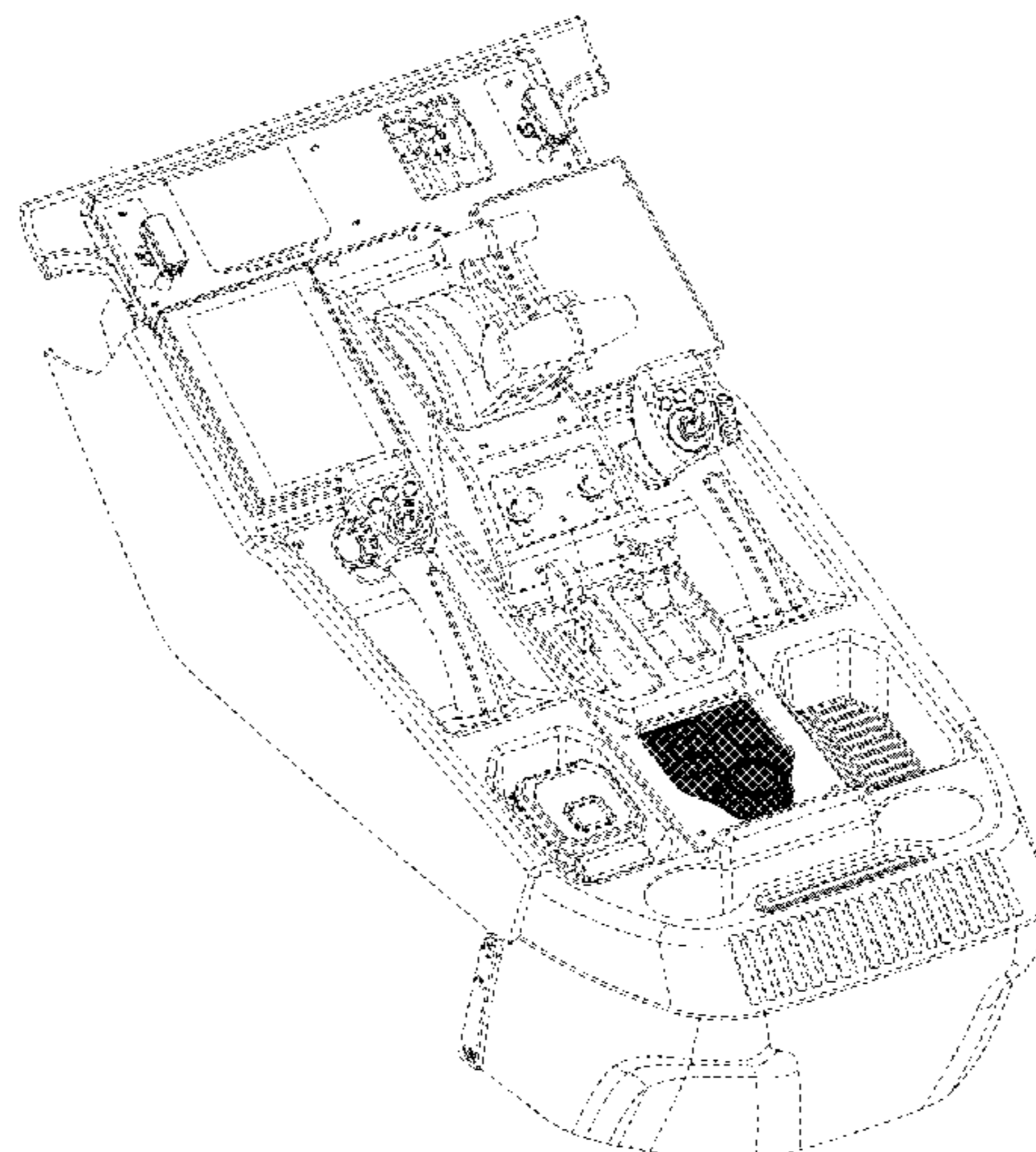
FIG. 4 is a first side view thereof;

FIG. 5 is a second side view thereof; and,

FIG. 6 is a top view thereof, the bottom view forming no part of the claimed design.

The broken lines illustrate structure and environment that form no part of the claimed design.

**1 Claim, 4 Drawing Sheets**  
**(4 of 4 Drawing Sheet(s) Filed in Color)**



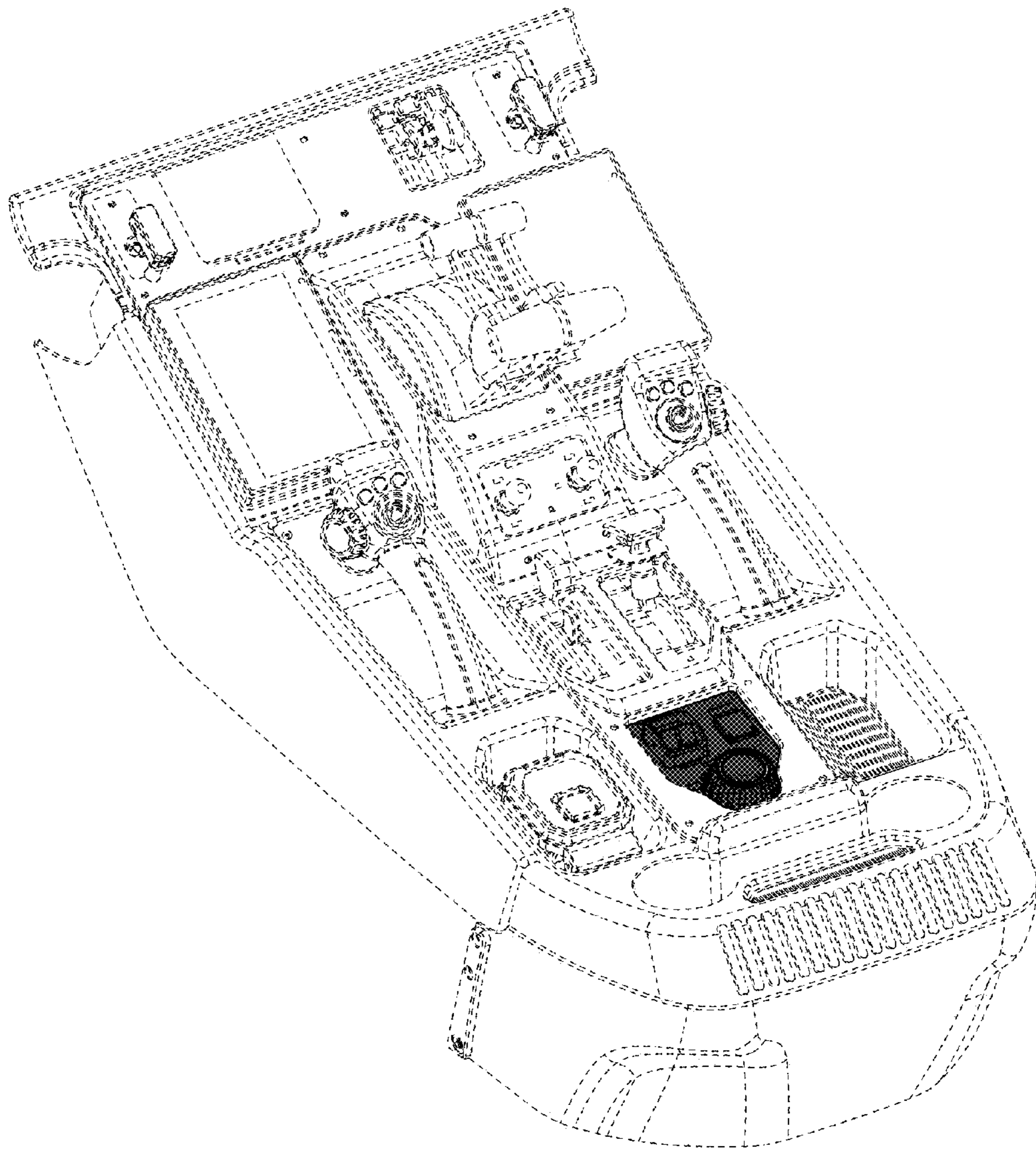


FIG. 1

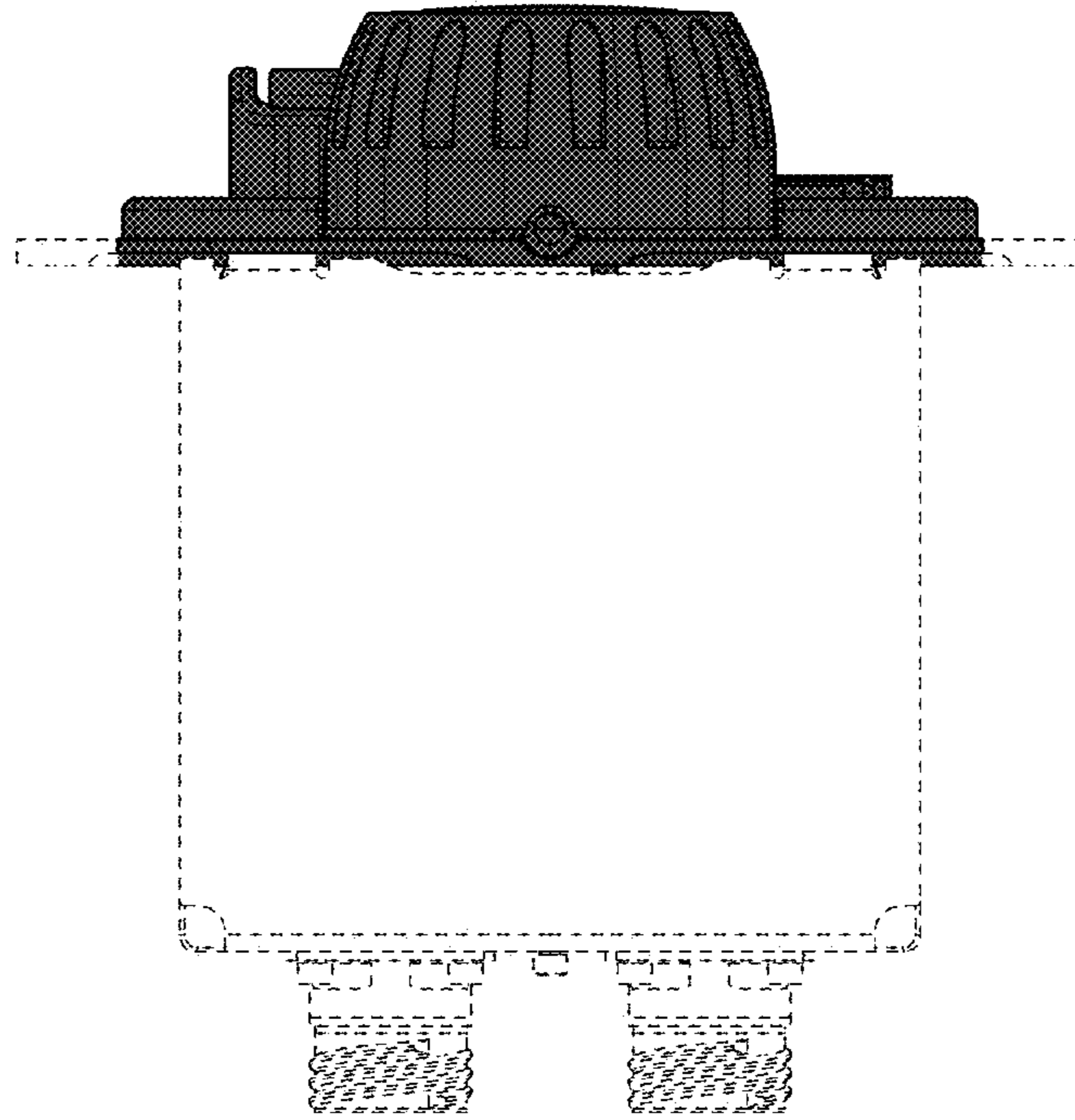


FIG. 2

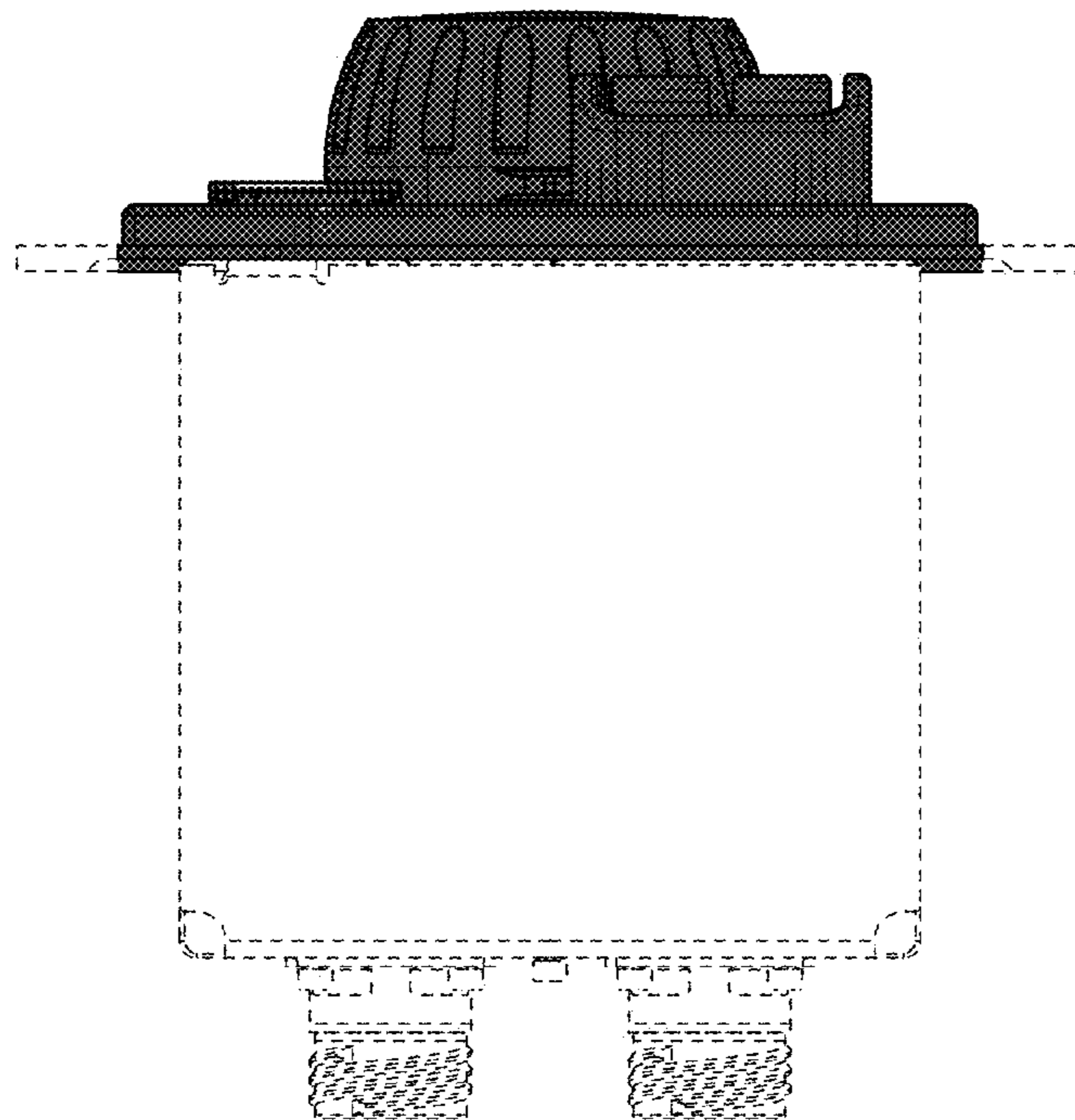


FIG. 3

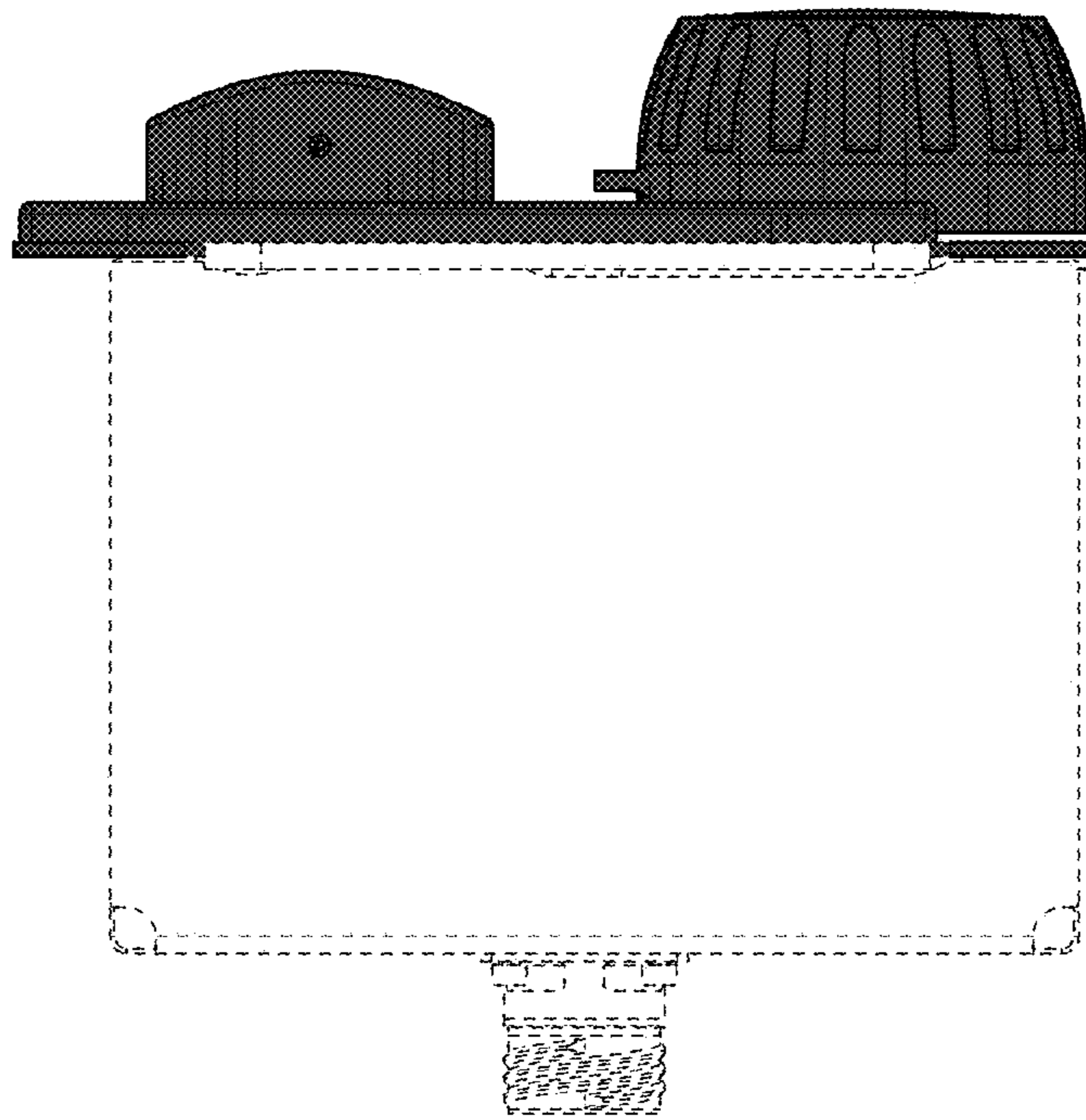


FIG. 4

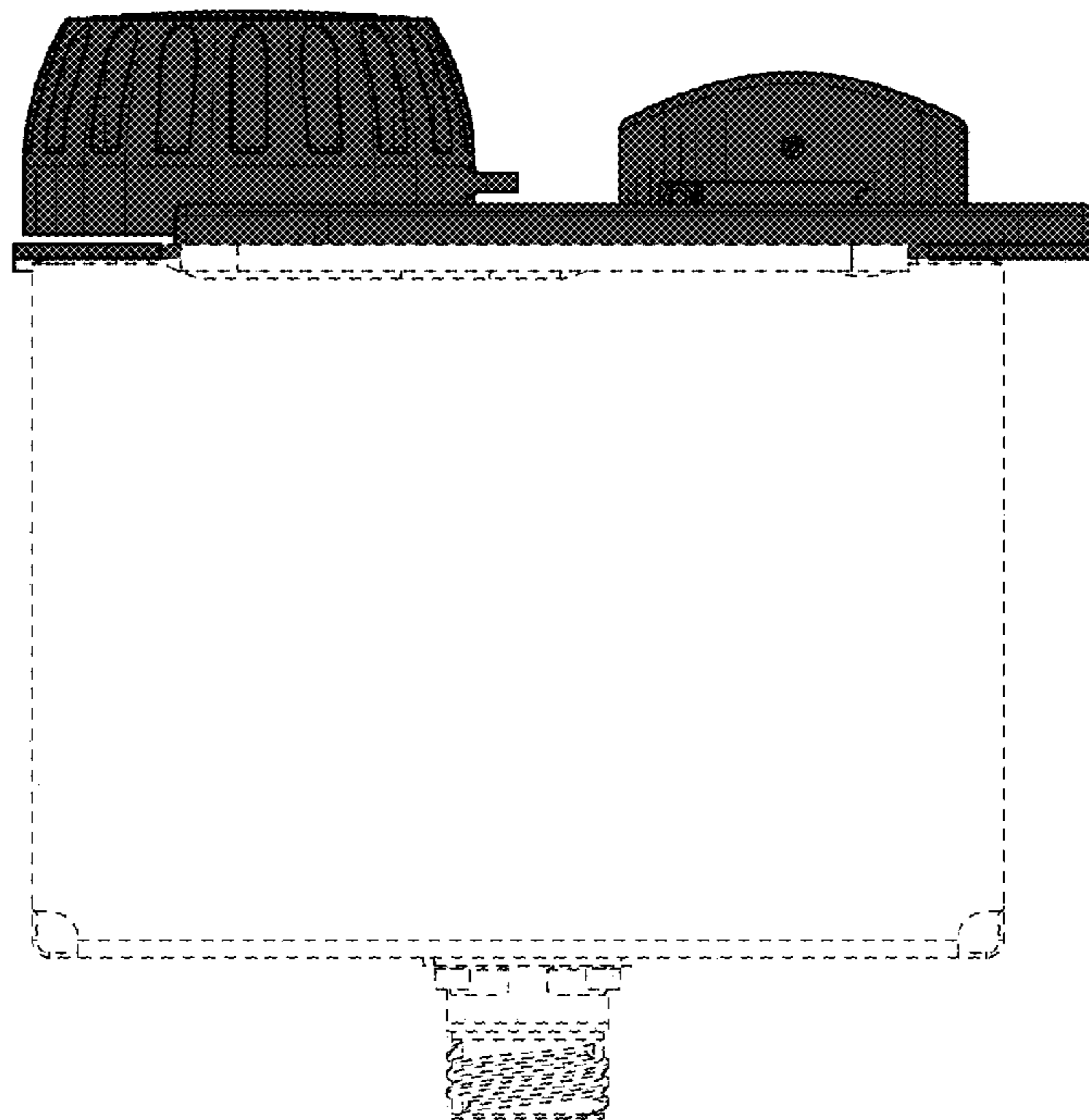


FIG. 5

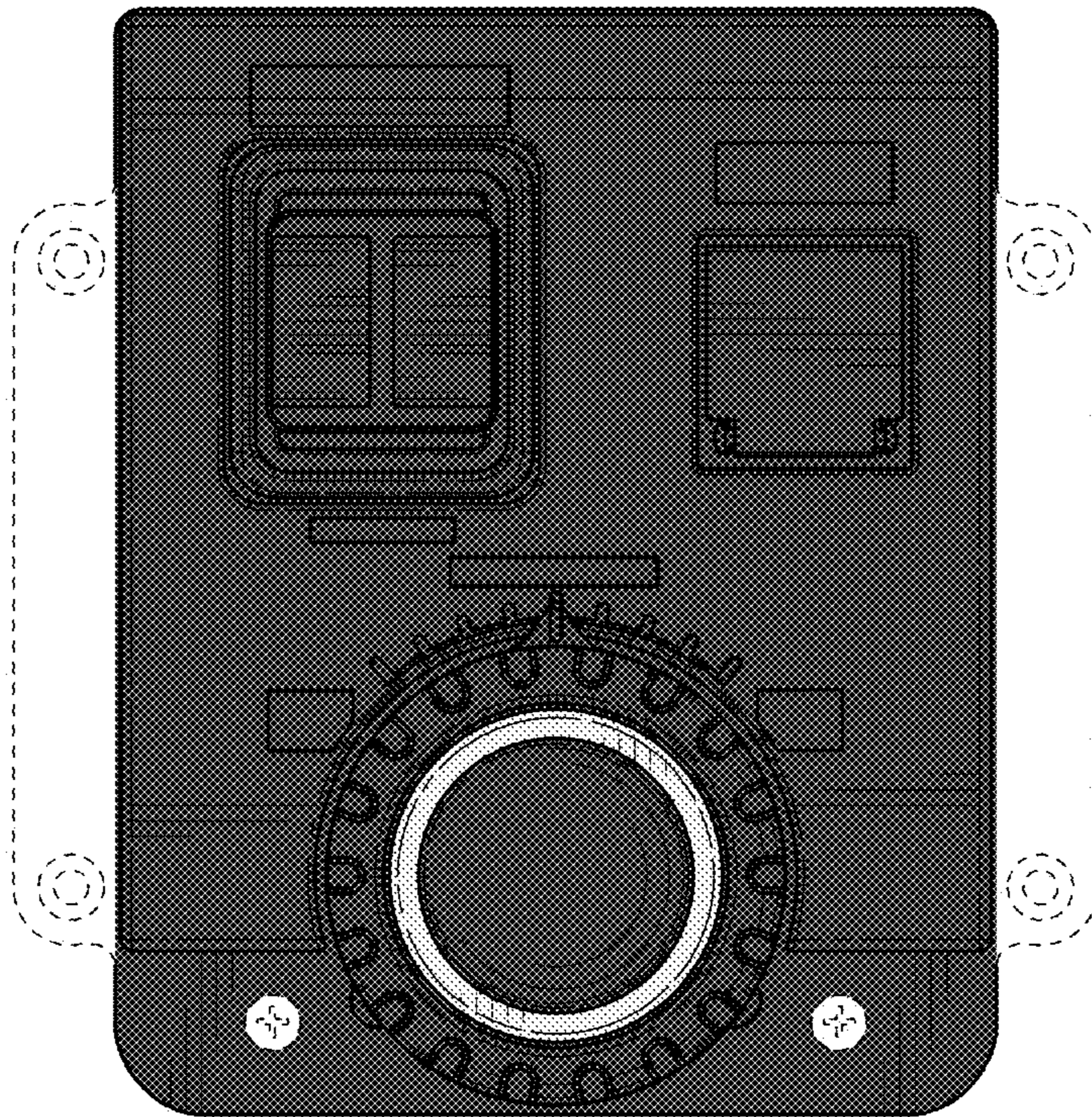


FIG. 6