

US00D760638S

(12) **United States Design Patent**
Beskar

(10) **Patent No.:** **US D760,638 S**

(45) **Date of Patent:** **** Jul. 5, 2016**

- (54) **AIRCRAFT**
- (71) Applicant: **Christopher Robin Beskar**, Columbia Heights, MN (US)
- (72) Inventor: **Christopher Robin Beskar**, Columbia Heights, MN (US)
- (73) Assignees: **Stavatti Aerospace Ltd.**, Eagan, MN (US); **Christopher R. Beskar**, Columbia Heights, MN (US); **William W. McEwen**, Ravensdale, WA (US)

D281,680 S *	12/1985	Henderson	D12/319
4,739,957 A *	4/1988	Vess	B64C 9/34 244/199.1
D303,950 S *	10/1989	Burgess	D12/319
D311,514 S *	10/1990	Sano	D12/319
5,503,350 A *	4/1996	Foote	B64C 39/024 244/1 R
5,769,358 A *	6/1998	Hahl	B64C 1/0009 244/120
D396,842 S *	8/1998	Jones	D12/333
D559,762 S *	1/2008	Au	D12/319
2013/0221158 A1 *	8/2013	Binkholder	F41F 3/065 244/137.4

* cited by examiner

(**) Term: **14 Years**

Primary Examiner — Robert M Spear
Assistant Examiner — Marissa J Cash

(21) Appl. No.: **29/474,011**

(22) Filed: **May 1, 2014**

(51) **LOC (10) Cl.** **12-07**

(52) **U.S. Cl.**
USPC **D12/344**

(58) **Field of Classification Search**
USPC D12/319, 322, 323, 326, 327, 328, 329,
D12/330, 339, 341, 342, 343, 344, 345;
D21/436, 438, 439, 440, 441, 446, 447,
D21/448, 449, 450, 453
CPC B64C 39/00; B64C 30/00; B64C 29/00
See application file for complete search history.

(57) **CLAIM**

The ornamental design for an aircraft, as shown and described.

DESCRIPTION

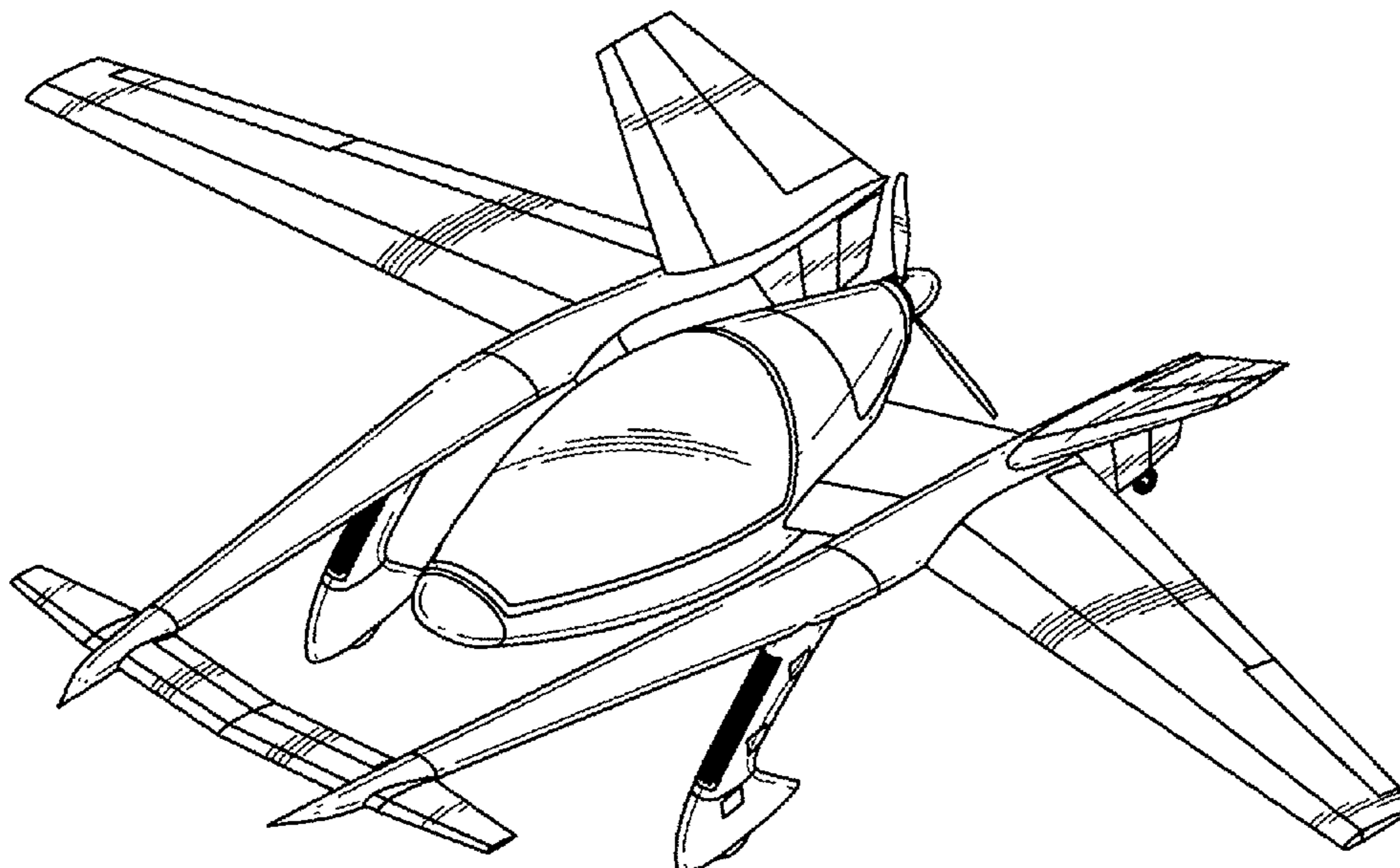
FIG. 1 is a top perspective view of an aircraft showing our new design;
FIG. 2 is a left side elevation view thereof, the right side elevation view being a mirror image of that shown;
FIG. 3 is a top plan view thereof;
FIG. 4 is a front elevation view thereof; and,
FIG. 5 is a rear elevation view thereof.
The solid black areas represent color contrast.

(56) **References Cited**

U.S. PATENT DOCUMENTS

1,893,129 A *	1/1933	Charpentier	B64C 39/10 244/35 R
D144,081 S *	3/1946	Stanley	244/17.21
D219,844 S *	2/1971	Blemond	D12/324

1 Claim, 3 Drawing Sheets



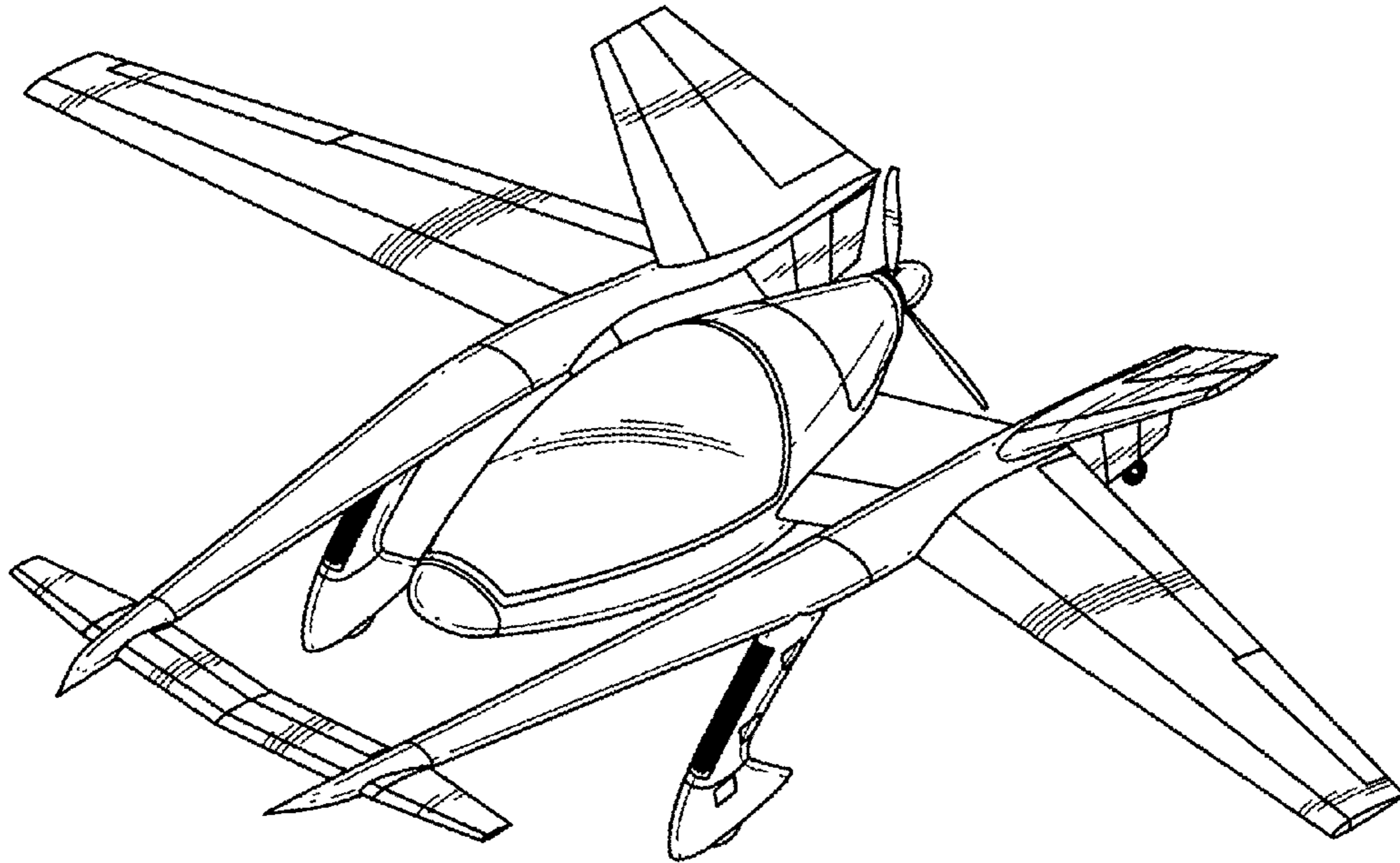


FIG. 1

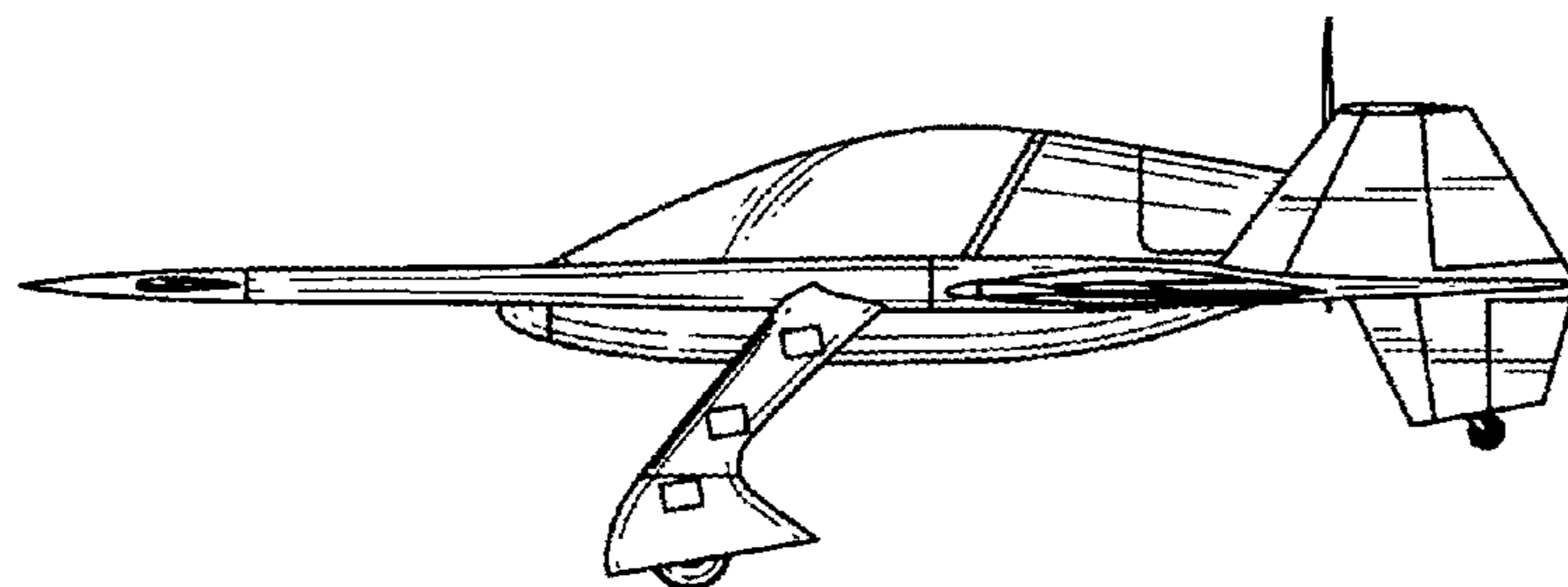


FIG. 2

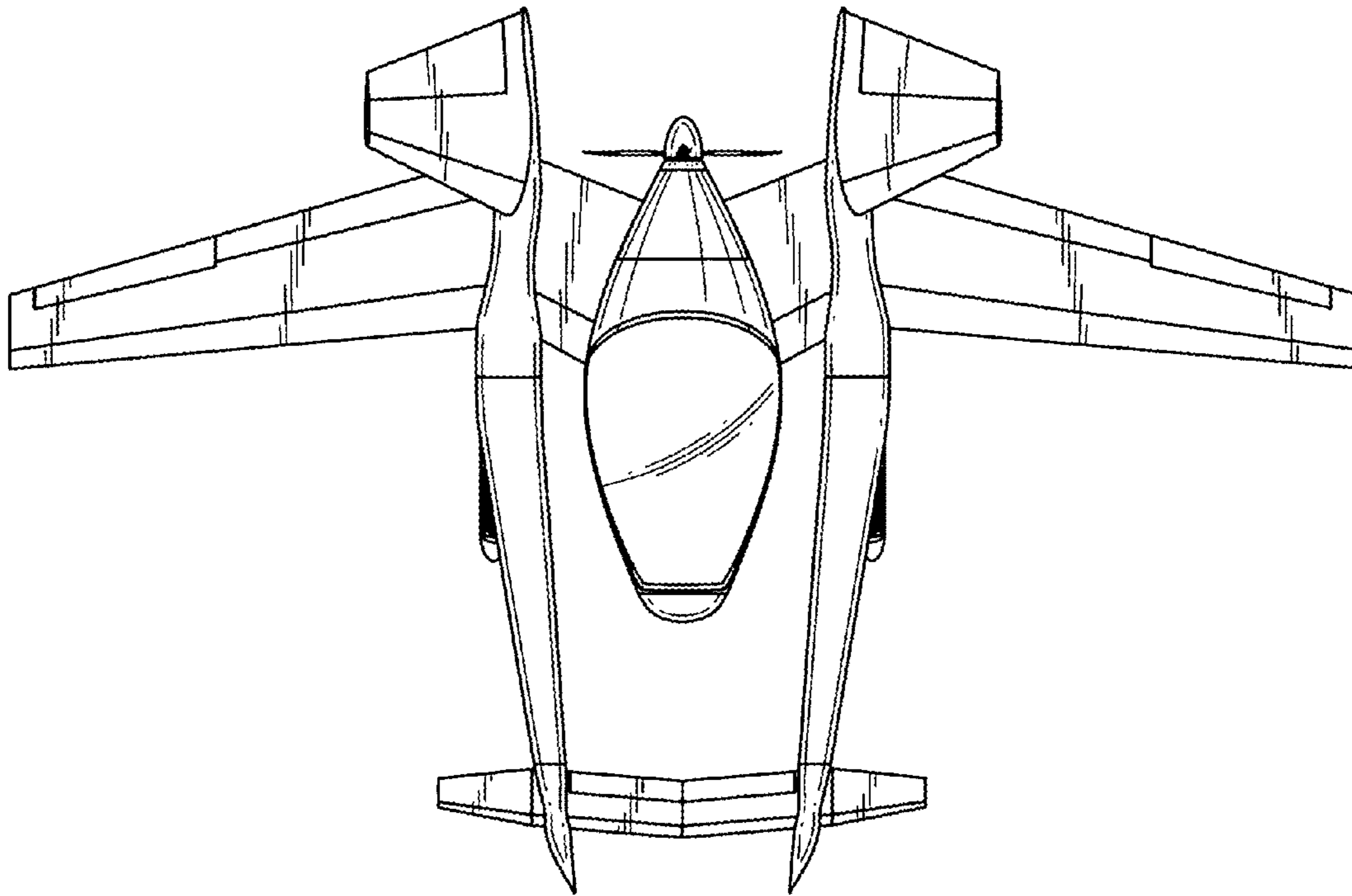


FIG. 3

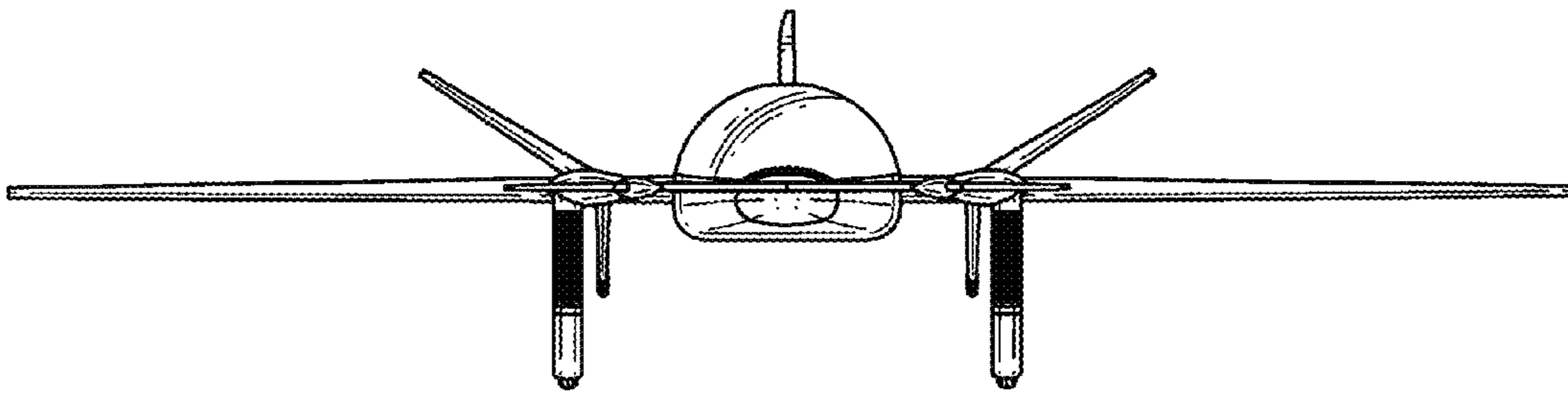


FIG. 4

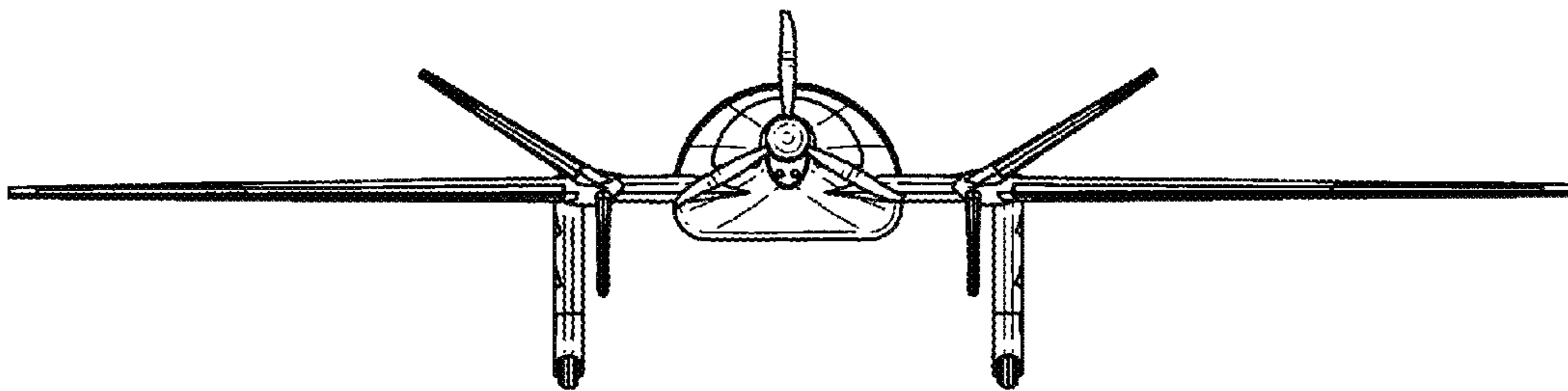


FIG. 5