



US00D760636S

(12) **United States Design Patent**
Kolb et al.

(10) **Patent No.:** **US D760,636 S**

(45) **Date of Patent:** **** Jul. 5, 2016**

(54) **VEHICLE WHEEL**

(71) Applicant: **Ford Motor Company**, Dearborn, MI (US)

(72) Inventors: **Ulrike Kolb**, Cologne (DE); **Wolfgang Gotschke**, Cologne (DE)

(73) Assignee: **Ford Motor Company**, Dearborn, MI (US)

(**) Term: **14 Years**

(21) Appl. No.: **29/516,212**

(22) Filed: **Jan. 30, 2015**

(51) **LOC (10) Cl.** **12-16**

(52) **U.S. Cl.**
USPC **D12/211**

(58) **Field of Classification Search**
USPC D12/204–213
CPC B60B 7/00; B60B 7/02; B60B 7/04;
B60B 7/01; B60B 7/06; B60B 3/02; B60B 3/04;
B60B 3/06; B60B 3/10; B60B 1/00;
B60B 1/08; B60B 1/10; B60B 1/12
See application file for complete search history.

(56) **References Cited**

U.S. PATENT DOCUMENTS

D438,503	S	*	3/2001	Syring	D12/211
D500,726	S	*	1/2005	Hettler	D12/211
D548,162	S	*	8/2007	Baum	D12/211
D551,149	S	*	9/2007	Elmitt	D12/211
D558,117	S	*	12/2007	Baum	D12/211
D591,661	S	*	5/2009	Baum	D12/209
D622,202	S	*	8/2010	Zhao	D12/211
D643,794	S	*	8/2011	Elmitt	D12/211
D657,298	S	*	4/2012	Lee	D12/211

D657,299	S	*	4/2012	Lee	D12/211
D668,197	S	*	10/2012	Gotschke	D12/211
D683,687	S	*	6/2013	Alfonso	D12/211
D685,311	S	*	7/2013	Alfonso	D12/211
D686,964	S	*	7/2013	Baum	D12/211
D687,757	S	*	8/2013	Lemke	D12/211
D688,189	S	*	8/2013	Alfonso	D12/211
D695,199	S	*	12/2013	Garbas	D12/211
D702,613	S	*	4/2014	Scheinhutte	D12/211
D721,630	S	*	1/2015	McLeod	D12/211
D724,516	S	*	3/2015	Di Buduo	D12/211
D727,828	S	*	4/2015	Amezqueta	D12/211
D731,388	S	*	6/2015	Gotschke	D12/211
D734,238	S	*	7/2015	Baum	D12/211
D748,035	S	*	1/2016	Wagener	D12/211

OTHER PUBLICATIONS

Jake Holmes. 2016 Ford Focus RS Spied [online], [retrieved on Jan. 23, 2015] Retrieved from the Internet <URL: http://www.automobilemag.com/features/news/1406-2016-ford-focus-rs-spied/?cx_source>.

Joseph Capparella. 2016 Ford Focus RS Drifts around the Track in Teaser Video [online], [retrieved on Jan. 23, 2015] Retrieved from the Internet <URL: <http://www.automobilemag.com/features/news/1501-2016-ford-focus-rs-drifts-around-the-track-in-teaser-video>>.

* cited by examiner

Primary Examiner — Stacia Cadmus

(74) *Attorney, Agent, or Firm* — Damian Porcari

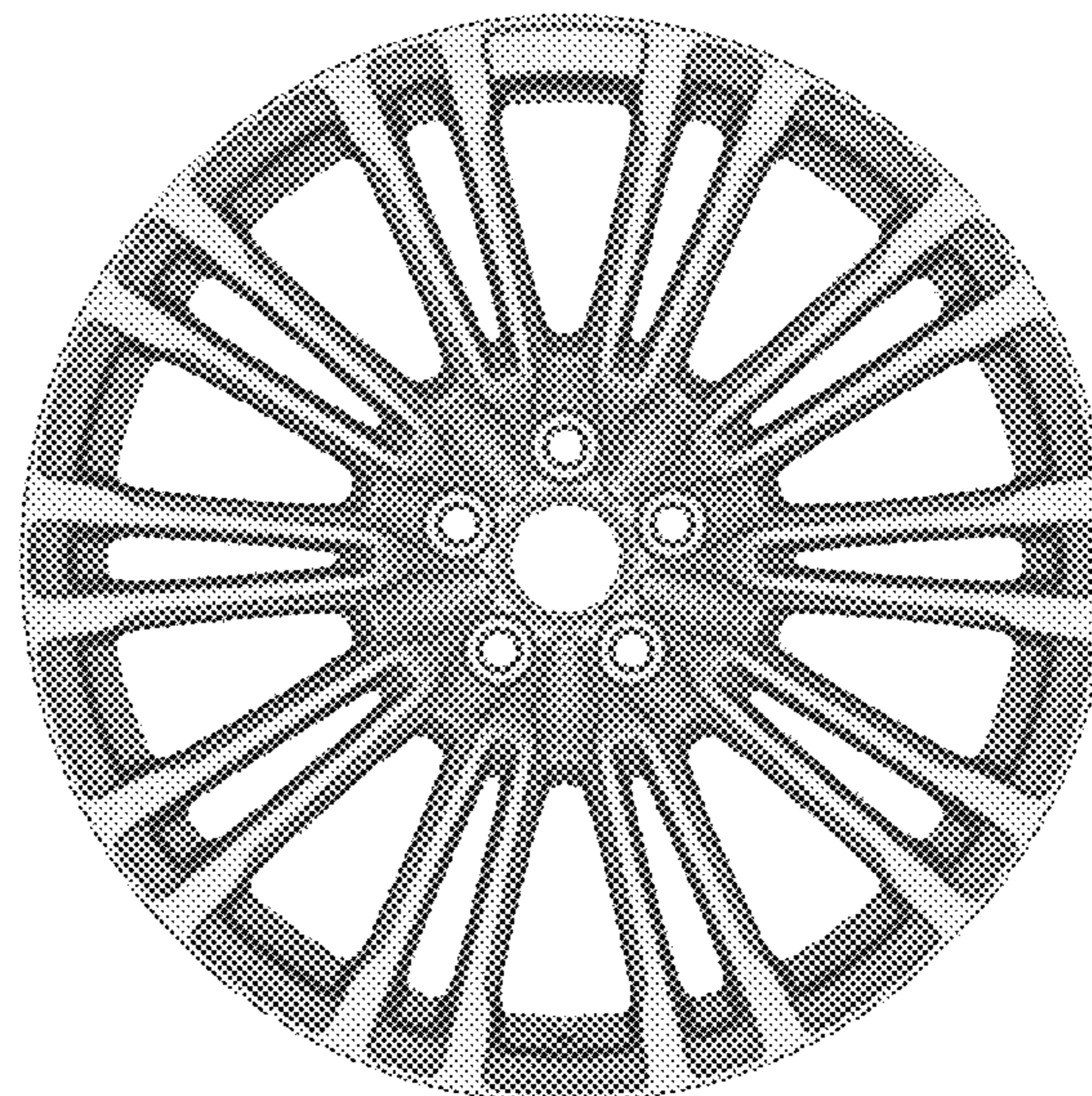
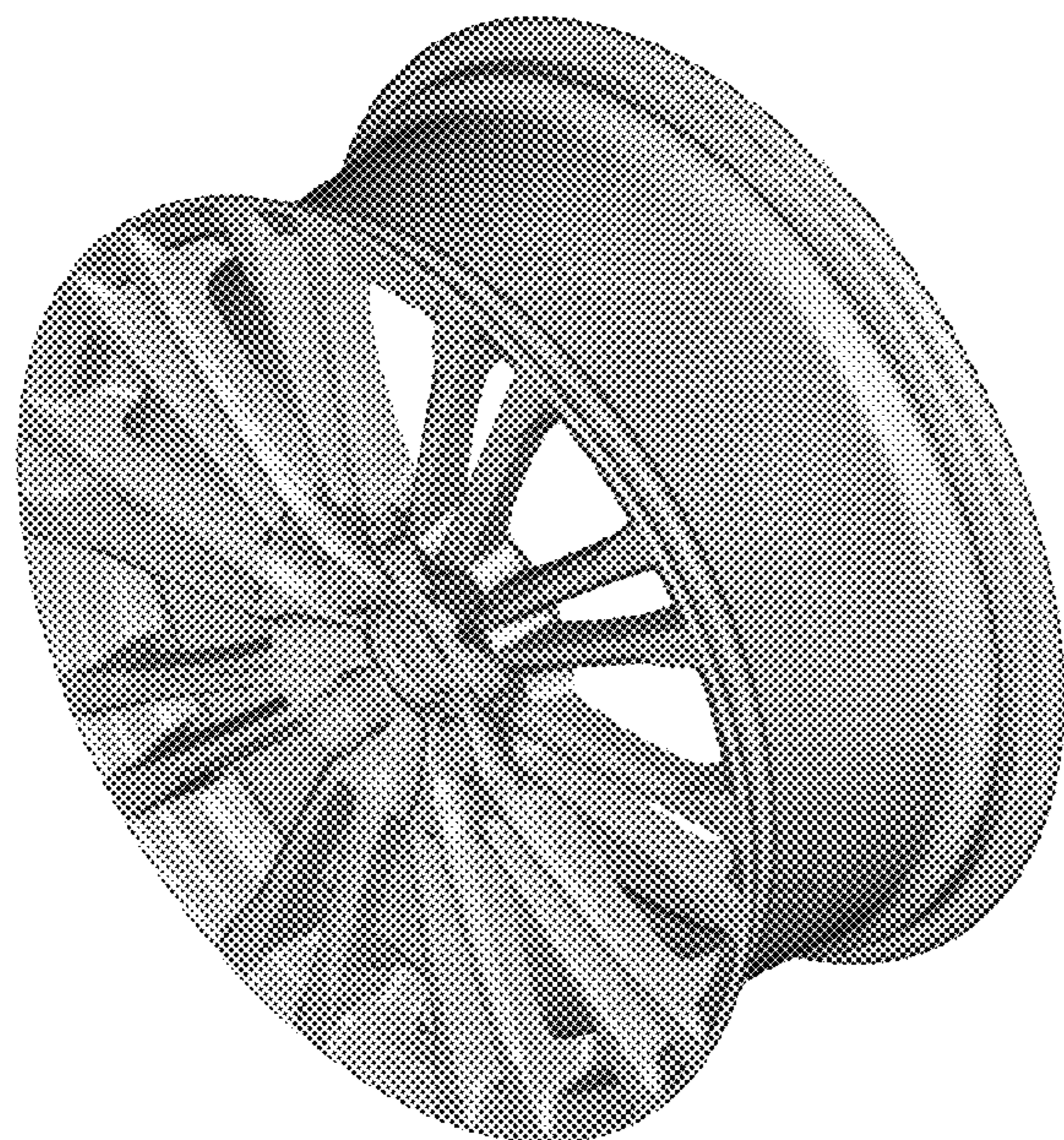
(57) **CLAIM**

The ornamental design for a vehicle wheel, as shown and described.

DESCRIPTION

FIG. 1 is a perspective view of a vehicle wheel; and, FIG. 2 is a front view thereof.

1 Claim, 2 Drawing Sheets



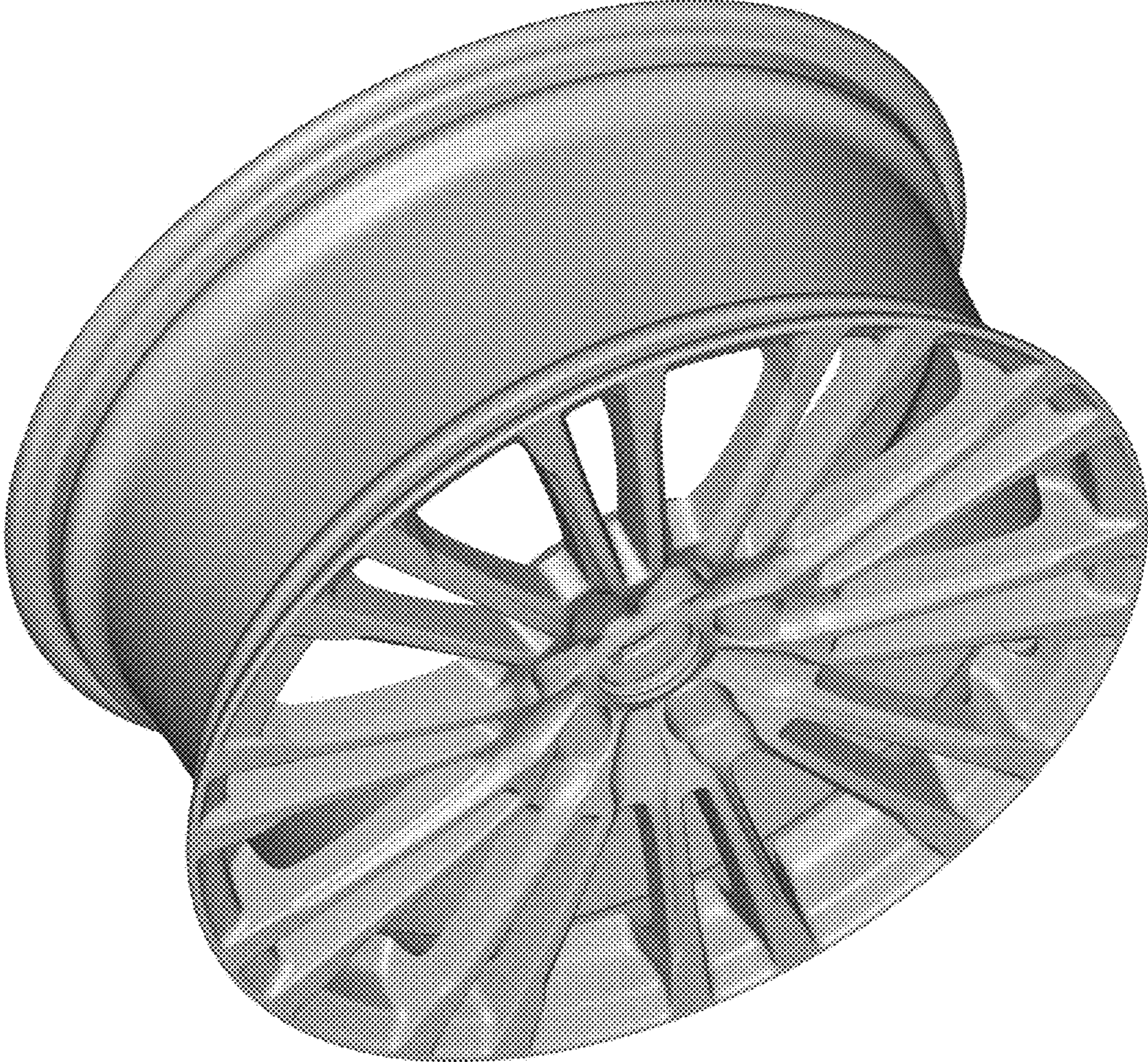


Figure 1

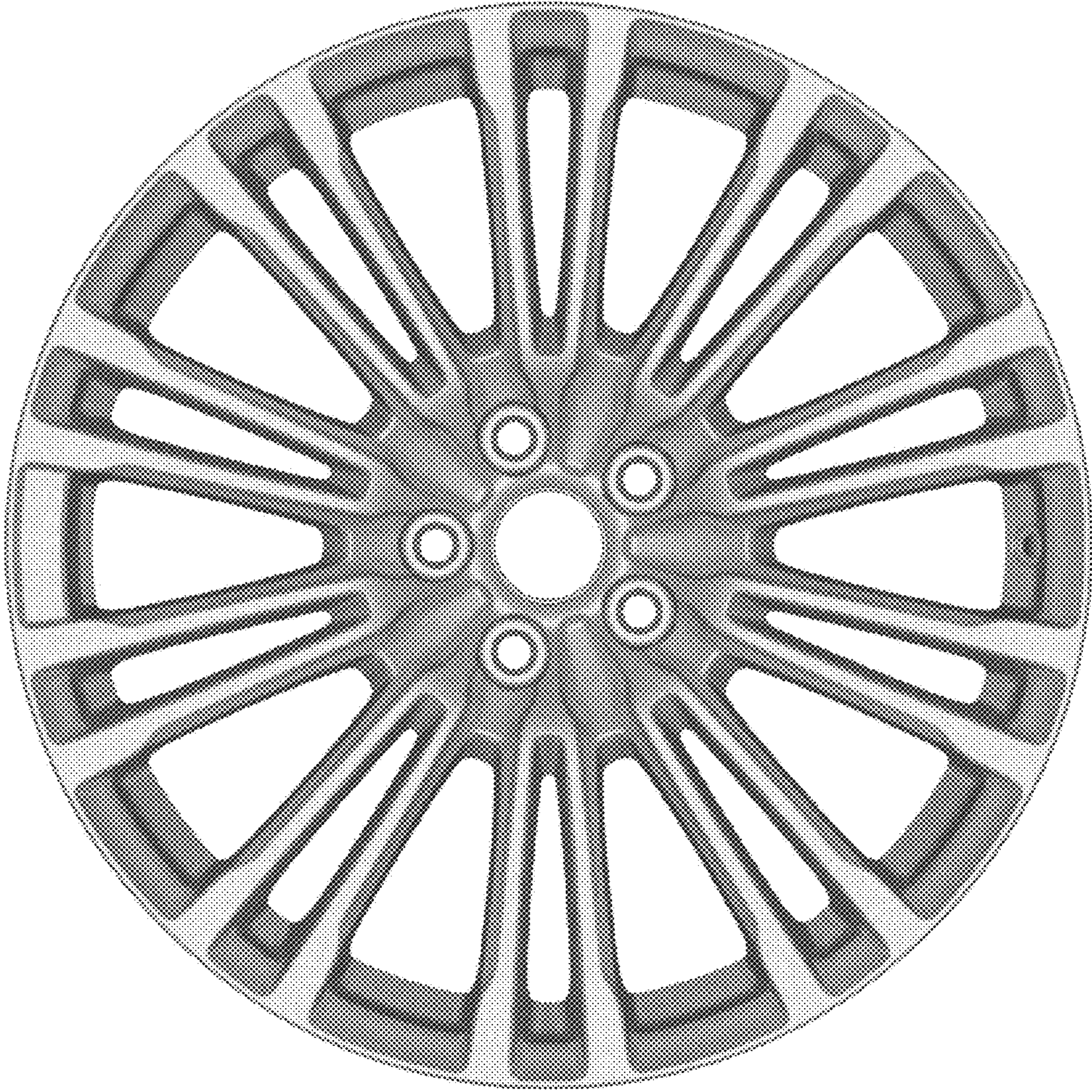


Figure 2