

US00D760632S

(12) **United States Design Patent**  
**Muhl**

(10) **Patent No.:** **US D760,632 S**

(45) **Date of Patent:** **\*\* Jul. 5, 2016**

(54) **STEERING WHEEL**

(71) Applicant: **Jungheinrich Aktiengesellschaft,**  
Hamburg (DE)

(72) Inventor: **Till Muhl,** Hamburg (DE)

(73) Assignee: **Jungheinrich Aktiengesellschaft,**  
Hamburg (DE)

(\*\*) Term: **14 Years**

(21) Appl. No.: **29/516,888**

(22) Filed: **Feb. 6, 2015**

(30) **Foreign Application Priority Data**

Aug. 6, 2014 (EM) ..... 002515577

(51) **LOC (10) Cl.** ..... **12-16**

(52) **U.S. Cl.**  
USPC ..... **D12/175**

(58) **Field of Classification Search**  
USPC ..... D12/175, 176, 177; D14/401, 414;  
D21/333, 385, 477, 566; 74/552, 558;  
340/475, 476, 477; 434/69, 70; 701/62;  
200/61.57  
CPC ..... B60R 16/037; B62D 1/00; B62D 1/02;  
B62D 1/04; B62D 1/16; B62D 5/003; G05G  
1/10

See application file for complete search history.

(56) **References Cited**

**U.S. PATENT DOCUMENTS**

D147,712 S \* 10/1947 Young ..... D12/175  
D185,009 S \* 4/1959 Lubarsky ..... 74/552  
D270,460 S \* 9/1983 Burtoft ..... D21/329

5,399,091 A \* 3/1995 Mitsumoto ..... G09B 9/04  
434/61  
D379,203 S \* 5/1997 Oikawa ..... D14/401  
D380,503 S \* 7/1997 Tyler ..... D21/385  
D393,493 S \* 4/1998 Lee ..... D14/413  
D395,464 S \* 6/1998 Shiibashi ..... D21/385  
D427,600 S \* 7/2000 Probstel ..... D14/414  
D509,218 S \* 9/2005 Henderson ..... D14/401  
D510,896 S \* 10/2005 Hoelzel ..... D12/175

(Continued)

*Primary Examiner* — Rosemary K Tarcza

*Assistant Examiner* — Yolanda Robinson

(74) *Attorney, Agent, or Firm* — Young Basile Hanlon &  
MacFarlane, P.C.

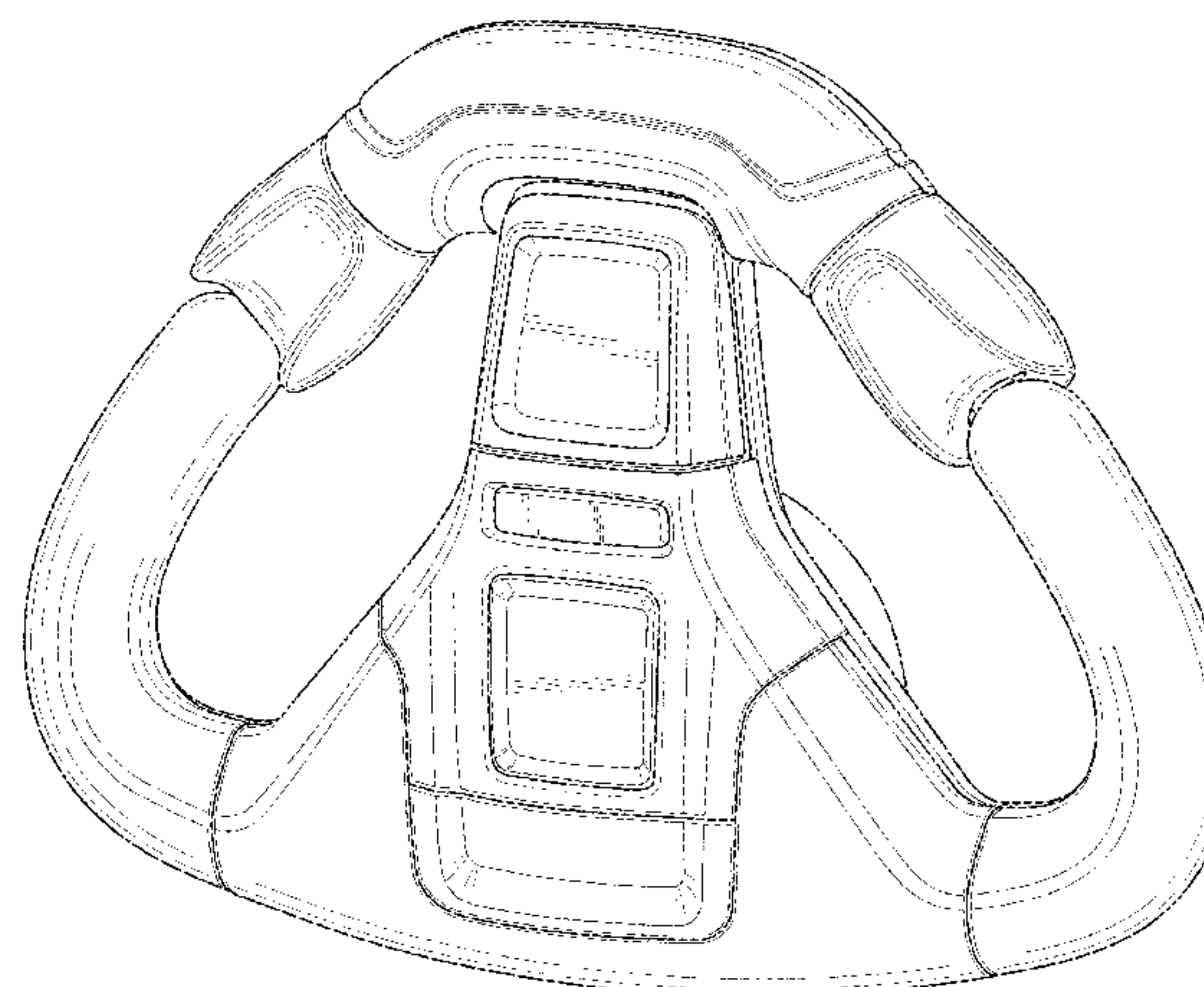
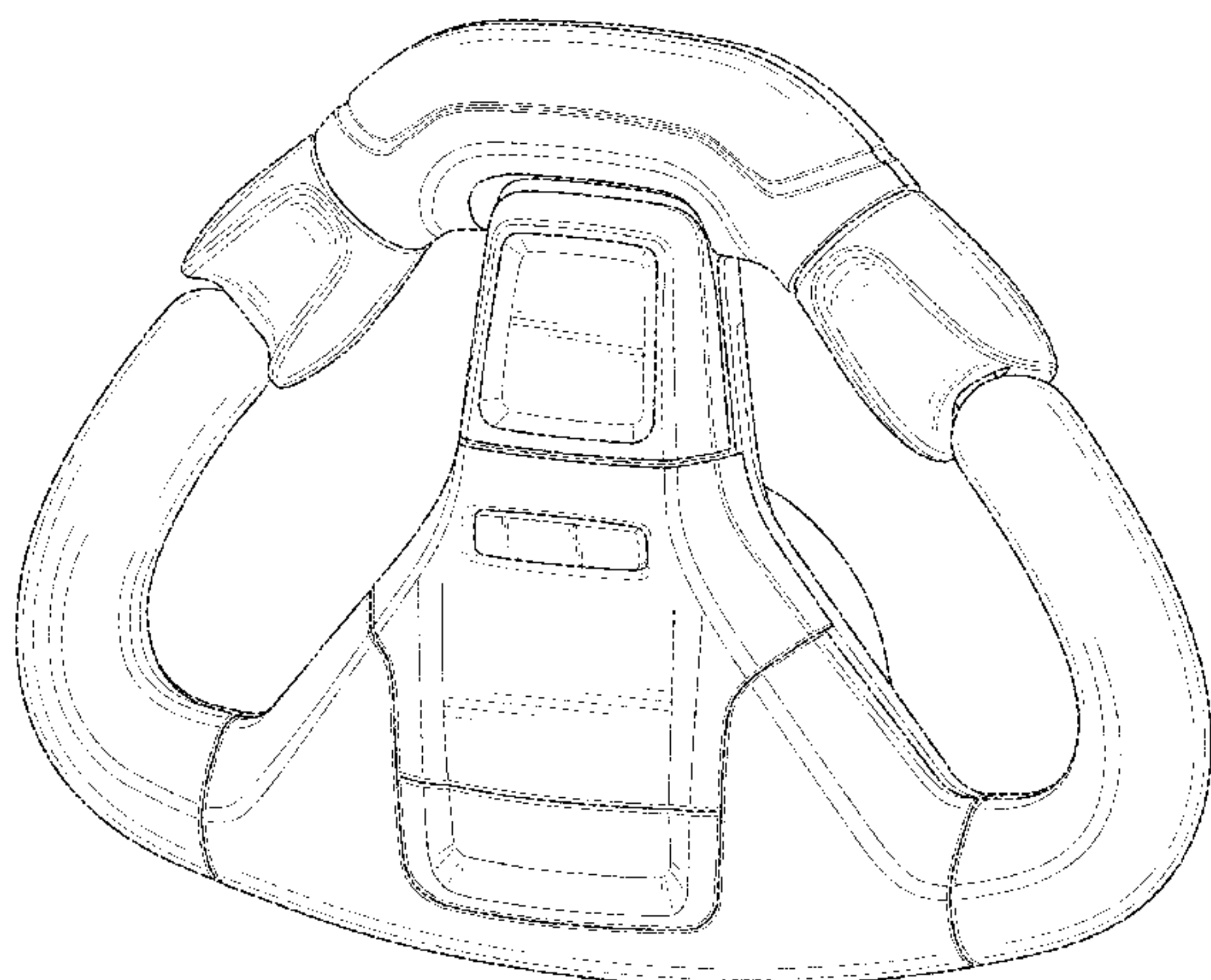
(57) **CLAIM**

The ornamental design for a steering wheel, as shown and  
described.

**DESCRIPTION**

FIG. 1 is a perspective view of a steering wheel, showing the  
left side, front and top thereof;  
FIG. 2 is a front view of the steering wheel of FIG. 1;  
FIG. 3 is a rear view of the steering wheel of FIG. 1;  
FIG. 4 is a left side view of the steering wheel of FIG. 1;  
FIG. 5 is a right side view of the steering wheel of FIG. 1;  
FIG. 6 is a top view of the steering wheel of FIG. 1;  
FIG. 7 is a bottom view of the steering wheel of FIG. 1;  
FIG. 8 is an alternative perspective view of the steering wheel,  
showing the left side, front and top thereof;  
FIG. 9 is a front view of the steering wheel of FIG. 8  
FIG. 10 is a rear view of the steering wheel of FIG. 8  
FIG. 11 is a left side view of the steering wheel of FIG. 8  
FIG. 12 is a right side view of the steering wheel of FIG. 8  
FIG. 13 is a top view of the steering wheel of FIG. 8; and,  
FIG. 14 is a bottom view of the steering wheel of FIG. 8.

**1 Claim, 10 Drawing Sheets**



(56)

**References Cited**

U.S. PATENT DOCUMENTS

D513,483 S *	1/2006	Buhrman	.....	D12/175	2001/0007294 A1*	7/2001	Nigrin	.....	B62D 1/04 180/402
7,278,509 B2 *	10/2007	Schroder	.....	B62D 1/046 180/333	2002/0184735 A1*	12/2002	Gillman	.....	G05G 1/10 16/110.1
D569,773 S *	5/2008	Niebuhr	.....	D12/177	2005/0121889 A1*	6/2005	Enders	.....	B60R 21/203 280/731
D585,895 S *	2/2009	Hu	.....	D14/401	2005/0199436 A1*	9/2005	Schroder	.....	B62D 1/046 180/402
D619,516 S *	7/2010	Niebuhr	.....	D12/176	2007/0017317 A1*	1/2007	Cortina	.....	B62D 1/04 74/552
D657,923 S *	4/2012	Dammkoehler	.....	D32/28	2014/0305257 A1*	10/2014	Frei	.....	B66F 9/07568 74/551.9
D679,228 S *	4/2013	Balko	.....	D12/175	2015/0158370 A1*	6/2015	Glaser	.....	B60H 1/00292 454/69
8,915,342 B2 *	12/2014	Cook	.....	B60K 20/06 192/3.55	2015/0336529 A1*	11/2015	Nebel	.....	B60R 21/2037 280/728.2
D737,184 S *	8/2015	Oosuda	.....	D12/175					
D742,797 S *	11/2015	Sugiura	.....	D12/195					

\* cited by examiner

FIG. 1

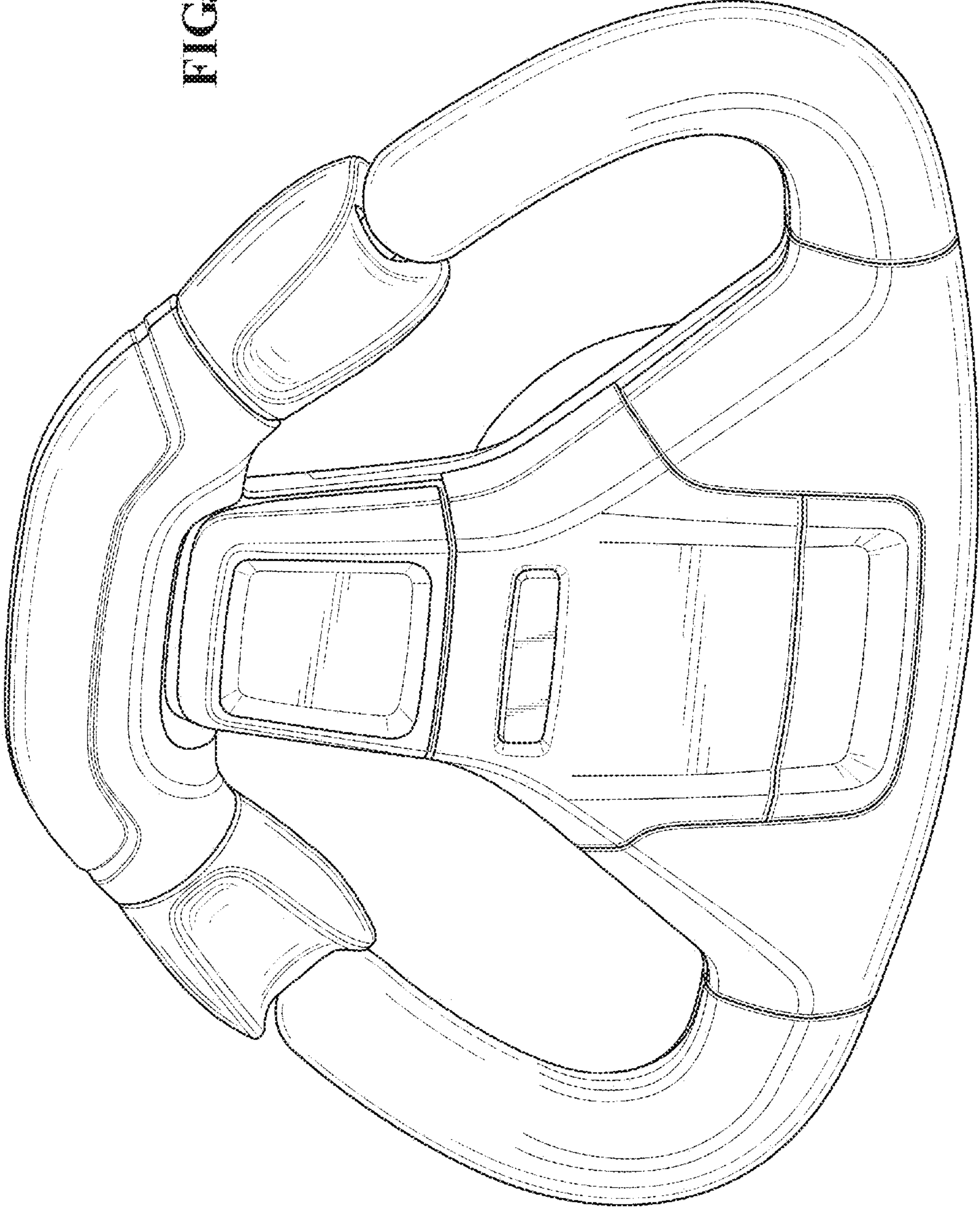




FIG. 2

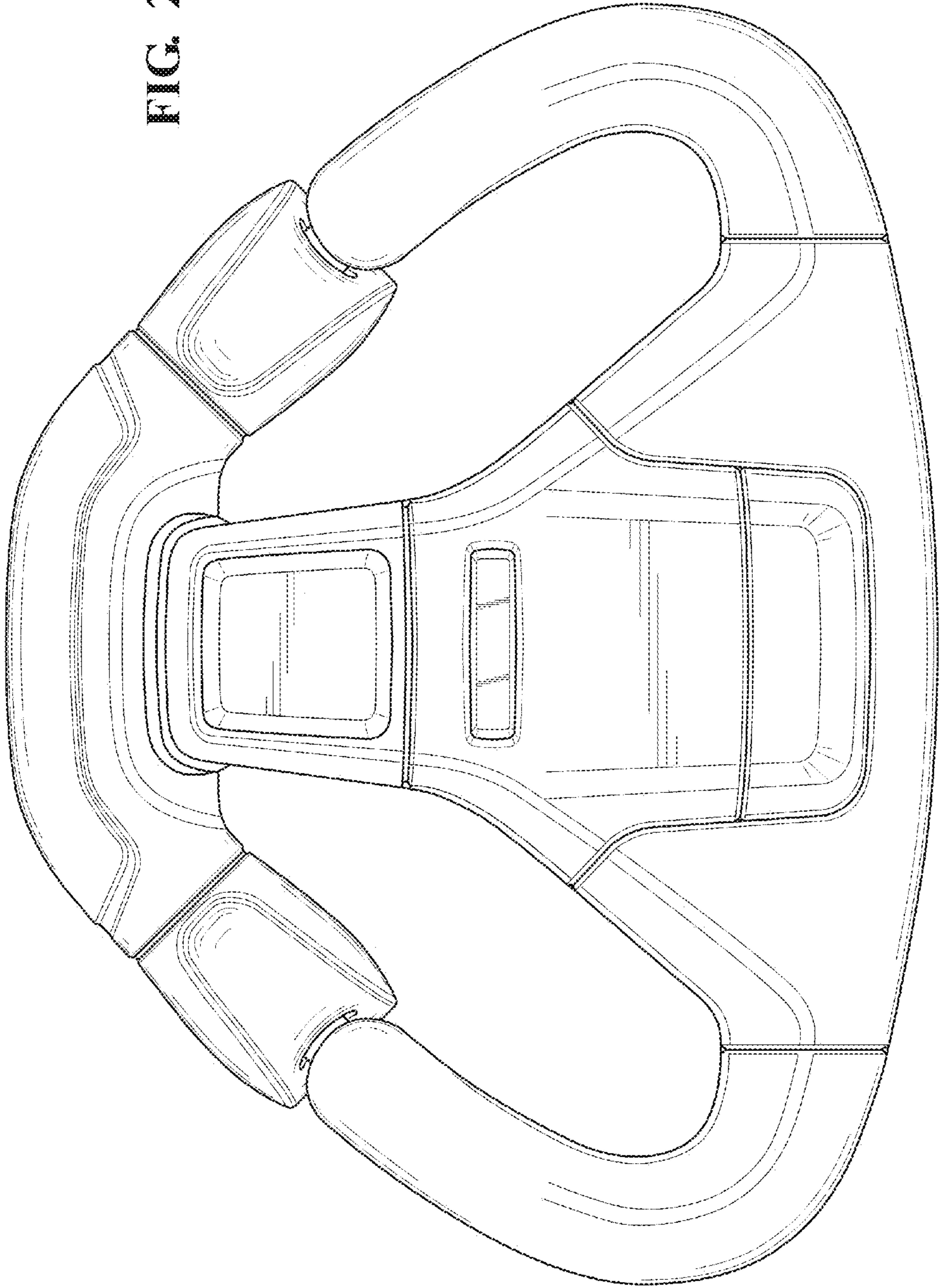


FIG. 3

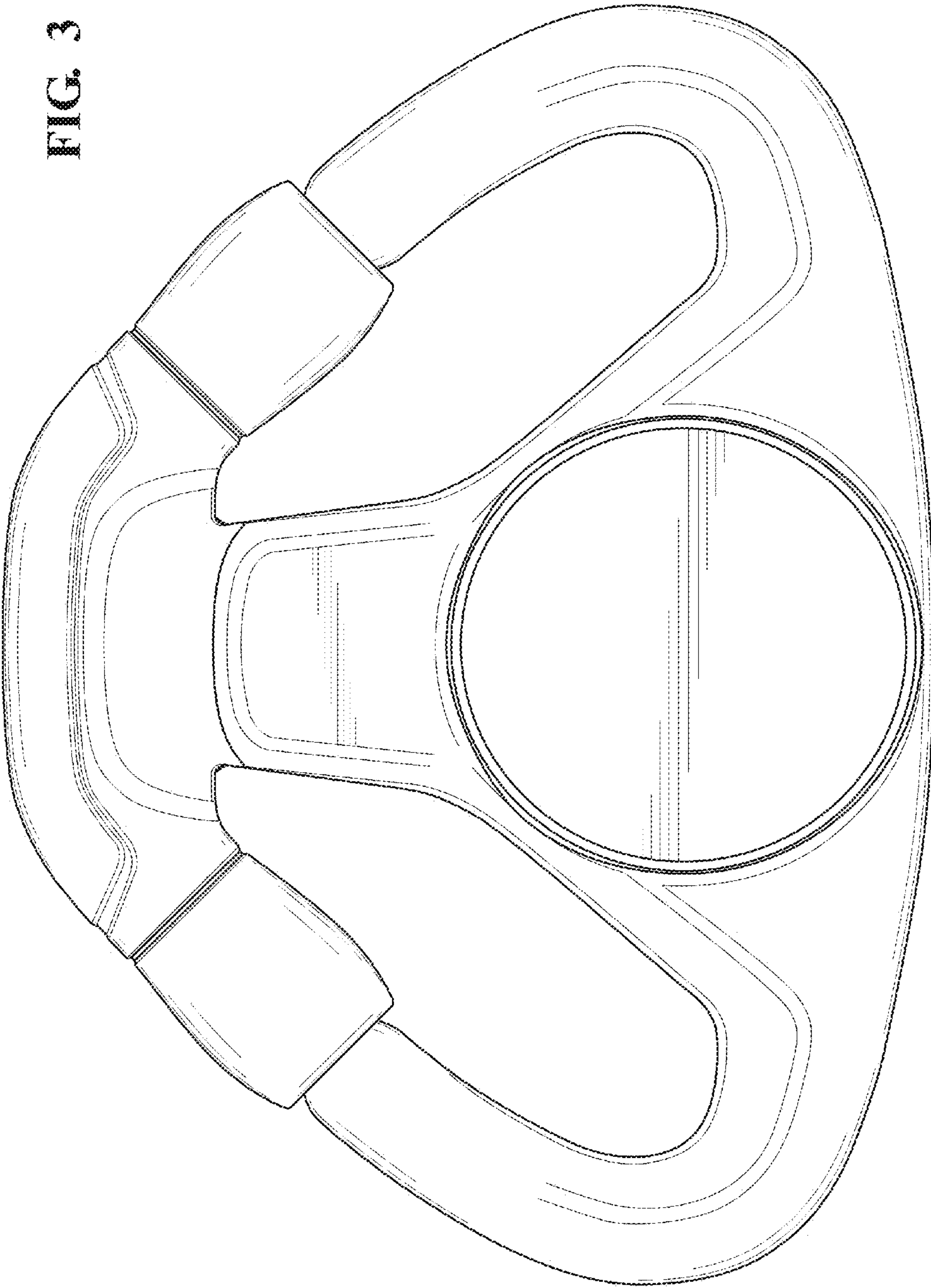


FIG. 5

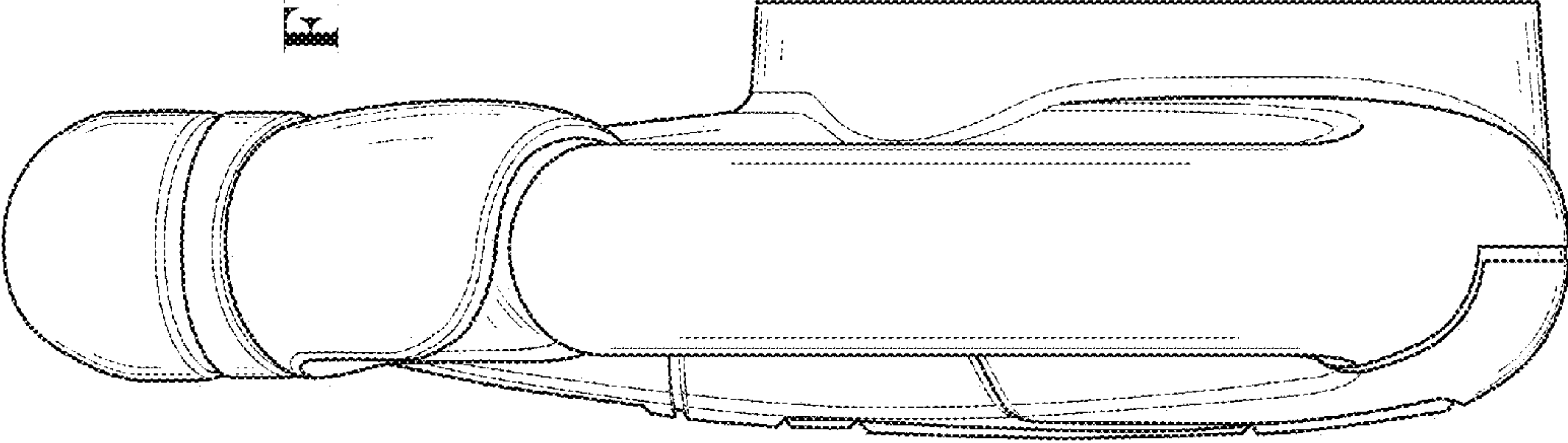


FIG. 4

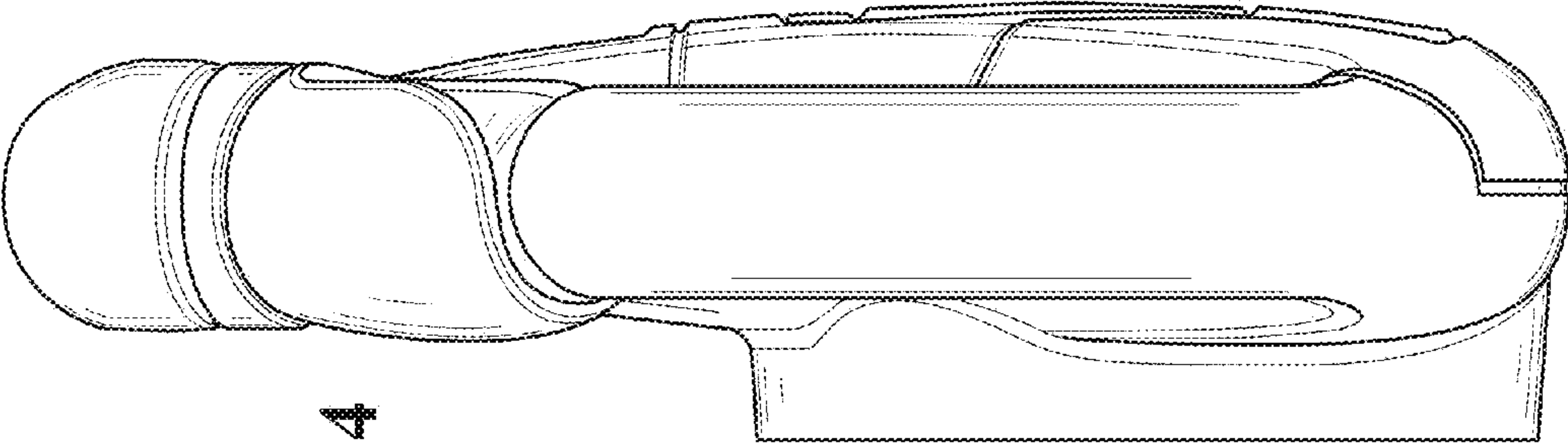


FIG. 6

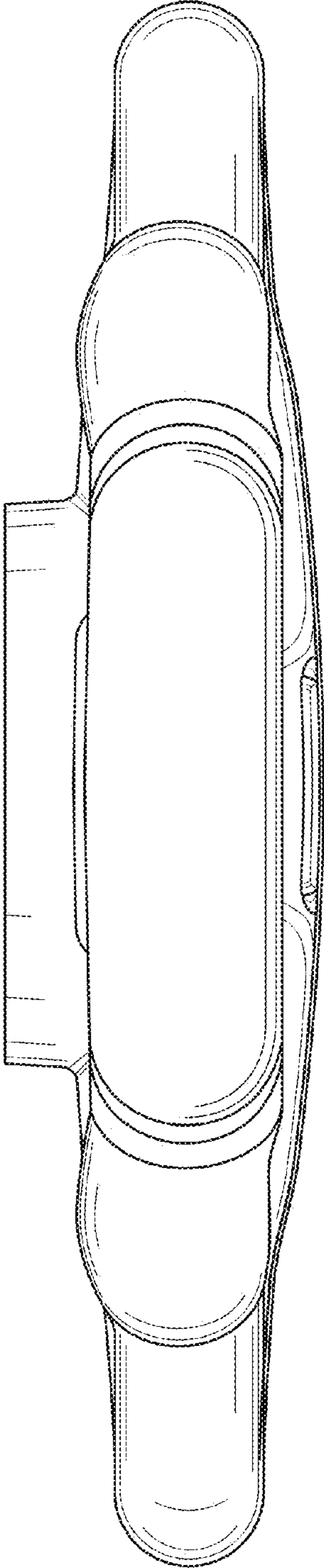


FIG. 7

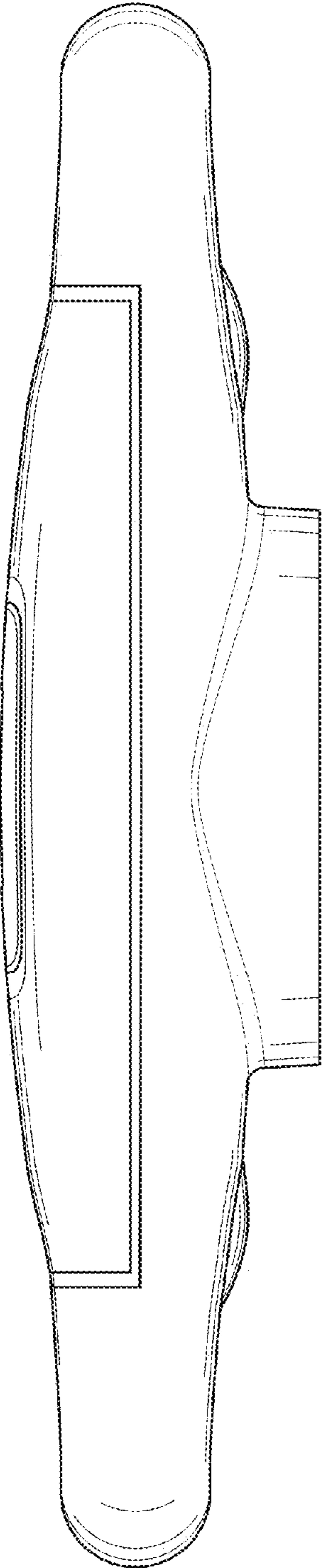




FIG. 8

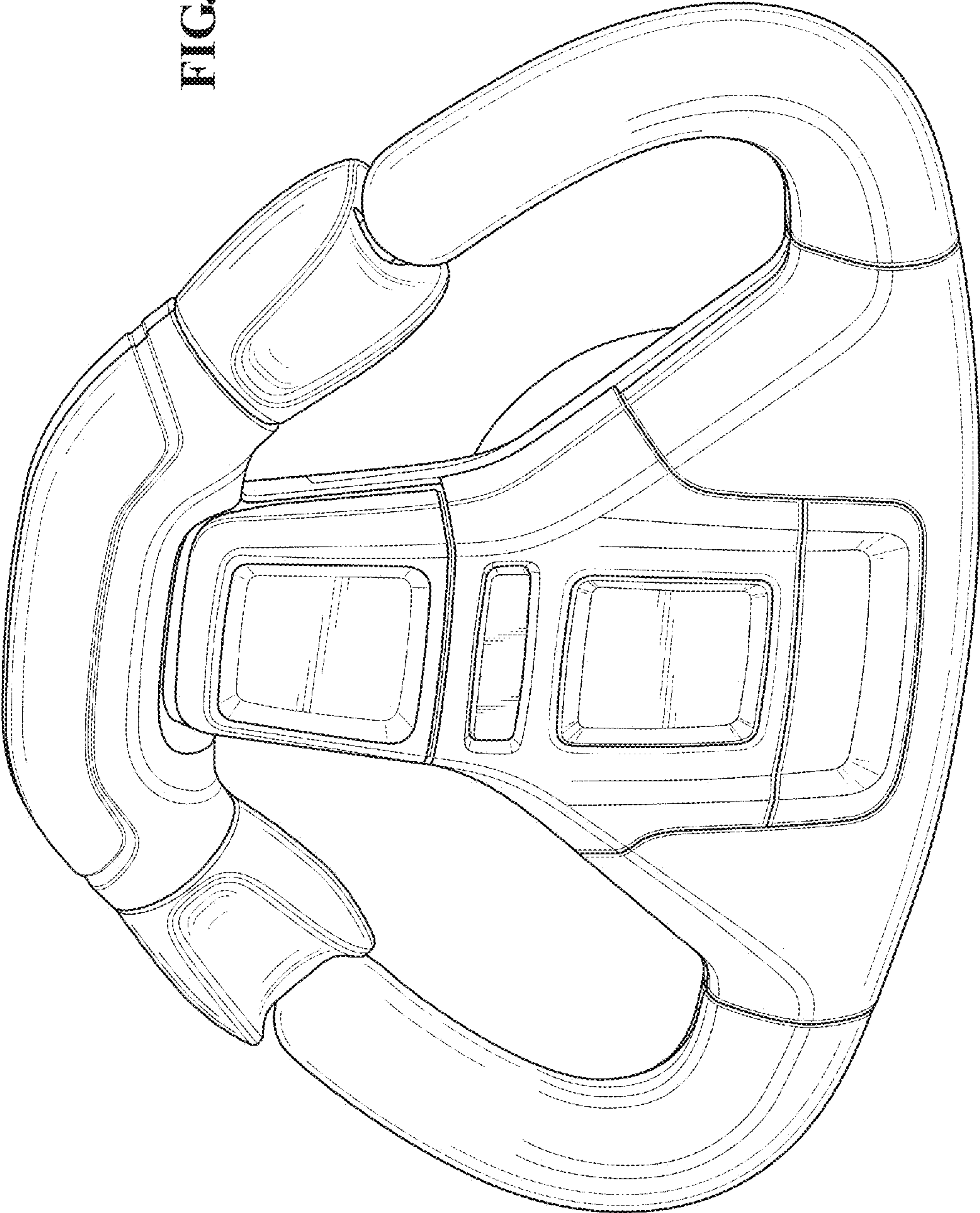




FIG. 9

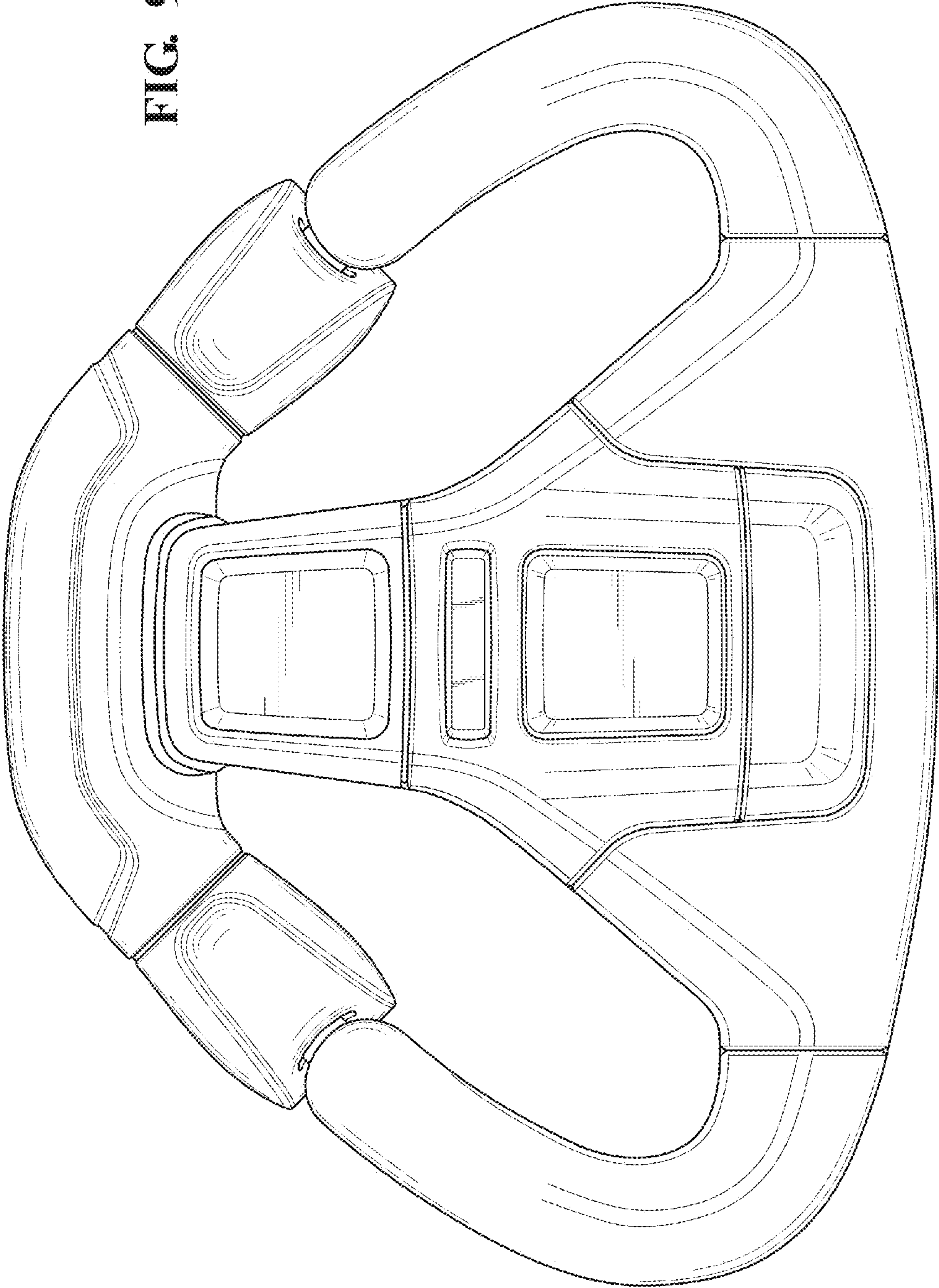


FIG. 10

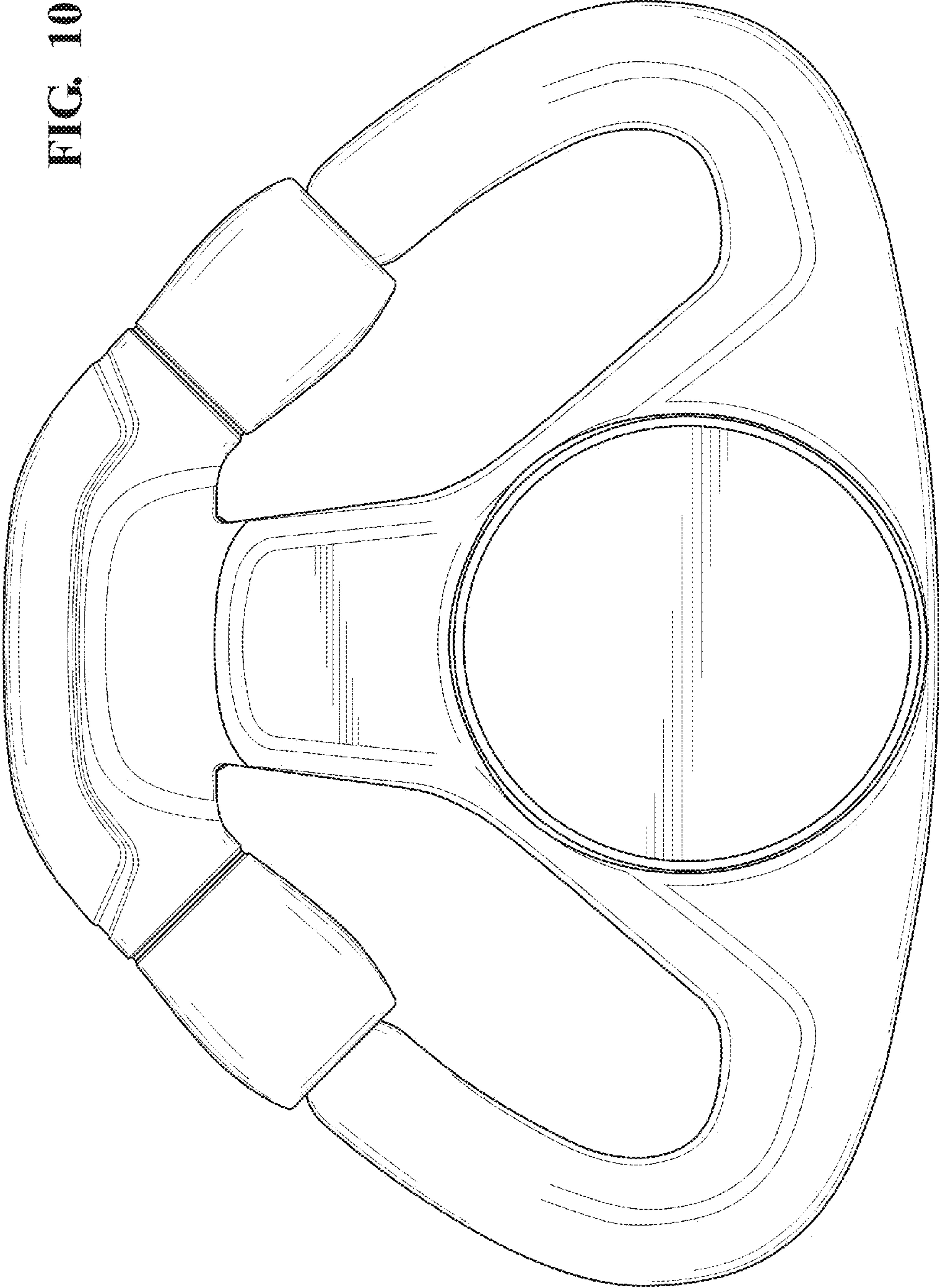


FIG. 12

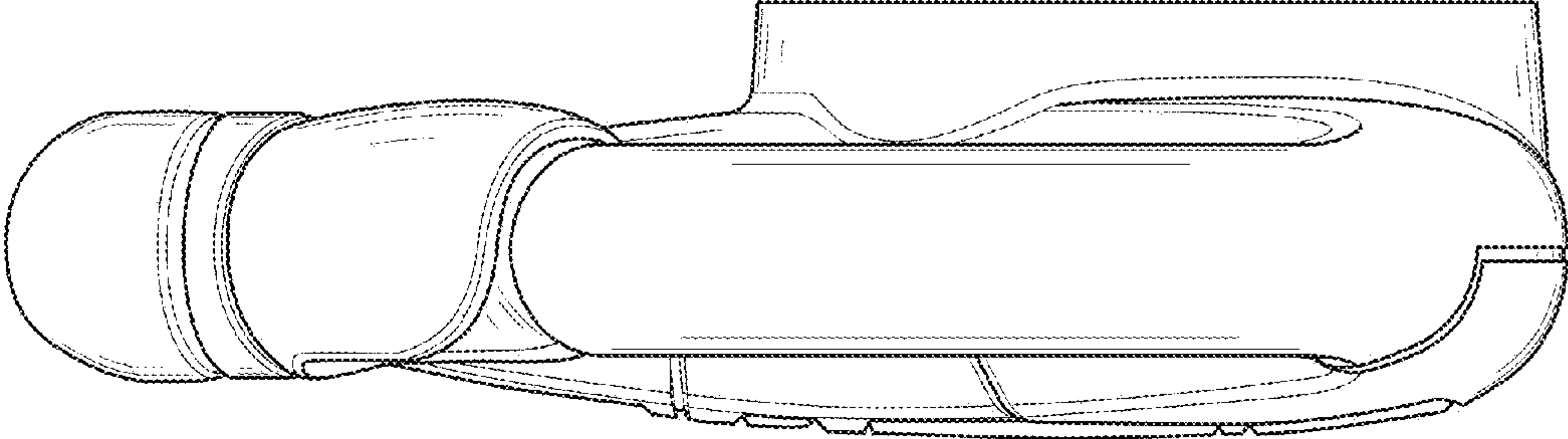


FIG. 11

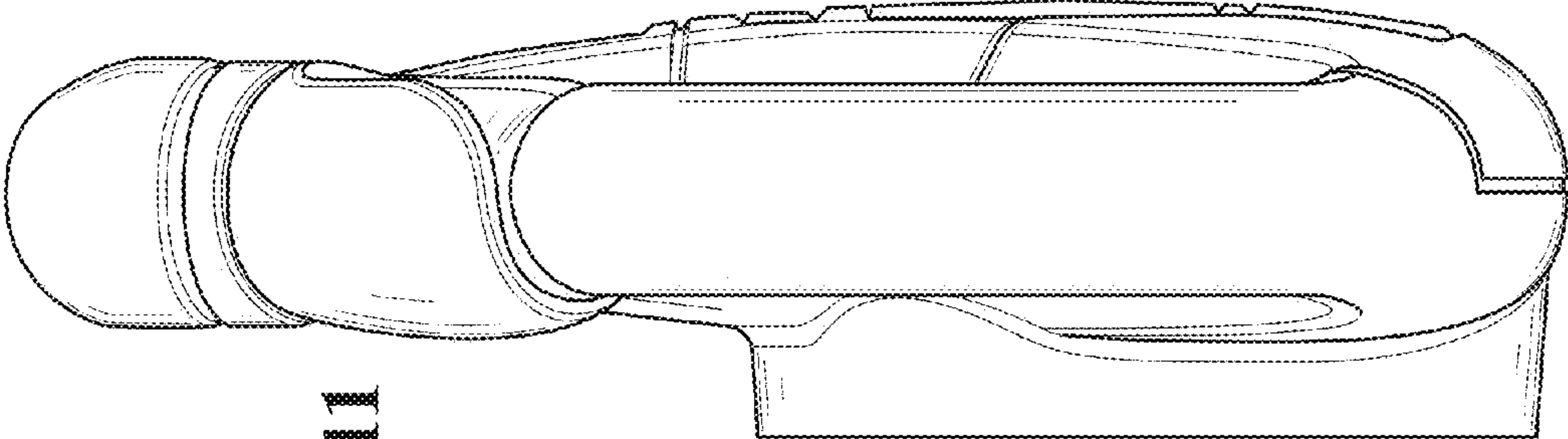




FIG. 13

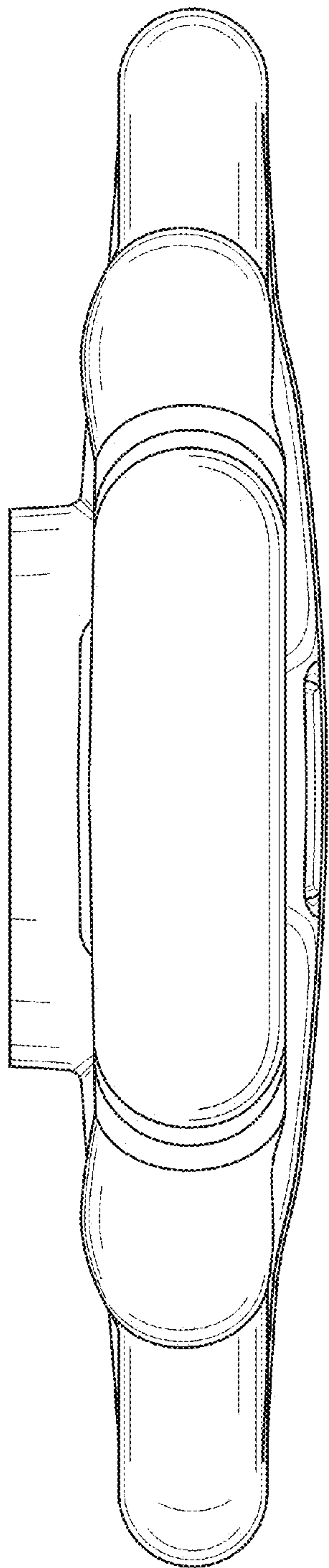


FIG. 14

