



US00D760628S

(12) **United States Design Patent**  
**Davidson et al.**

(10) **Patent No.:** **US D760,628 S**  
(45) **Date of Patent:** **\*\* Jul. 5, 2016**

(54) **REAR LOWER BUMPER**

(71) Applicants: **Benjamin R. Davidson**, Torrance, CA  
(US); **Alicia Higa**, Hawthorne, CA (US)

(72) Inventors: **Benjamin R. Davidson**, Torrance, CA  
(US); **Alicia Higa**, Hawthorne, CA (US)

(73) Assignee: **HONDA MOTOR CO., LTD.**, Tokyo  
(JP)

(\*\*) Term: **14 Years**

(21) Appl. No.: **29/517,251**

(22) Filed: **Feb. 11, 2015**

(51) **LOC (10) Cl.** ..... **12-16**

(52) **U.S. Cl.**  
USPC ..... **D12/169**

(58) **Field of Classification Search**  
USPC ..... D12/169, 216, 90-92, 86, 171, 196,  
D12/163; 293/102, 113, 115, 117, 120;  
296/180.1, 180.2  
CPC . B60R 19/52; B60R 2019/25; B62D 25/0845  
See application file for complete search history.

(56) **References Cited**

U.S. PATENT DOCUMENTS

D491,851 S *	6/2004	Perfetti .....	D12/169
D545,248 S *	6/2007	Angelo .....	D12/169
D646,210 S *	10/2011	Sharma .....	D12/169
D684,508 S *	6/2013	Peltola .....	D12/169
D686,545 S *	7/2013	Peltola .....	D12/169
D709,807 S *	7/2014	Heilaneh .....	D12/169

\* cited by examiner

*Primary Examiner* — Melody N Brown

(74) *Attorney, Agent, or Firm* — Pearne & Gordon LLP

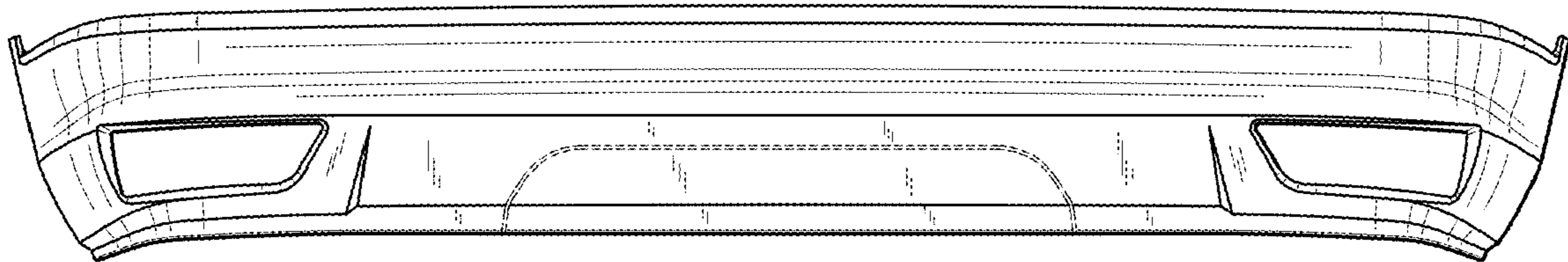
(57) **CLAIM**

The ornamental design for a rear lower bumper, as shown and described.

**DESCRIPTION**

FIG. 1 is a perspective view of a rear lower bumper showing my new design;  
FIG. 2 is a front view thereof;  
FIG. 3 is a right side view thereof, a left side view being a mirror image thereof; and,  
FIG. 4 is a bottom view thereof.  
The broken lines shown in the drawings illustrate a portion of the rear lower bumper that forms no part of the claimed design.

**1 Claim, 2 Drawing Sheets**



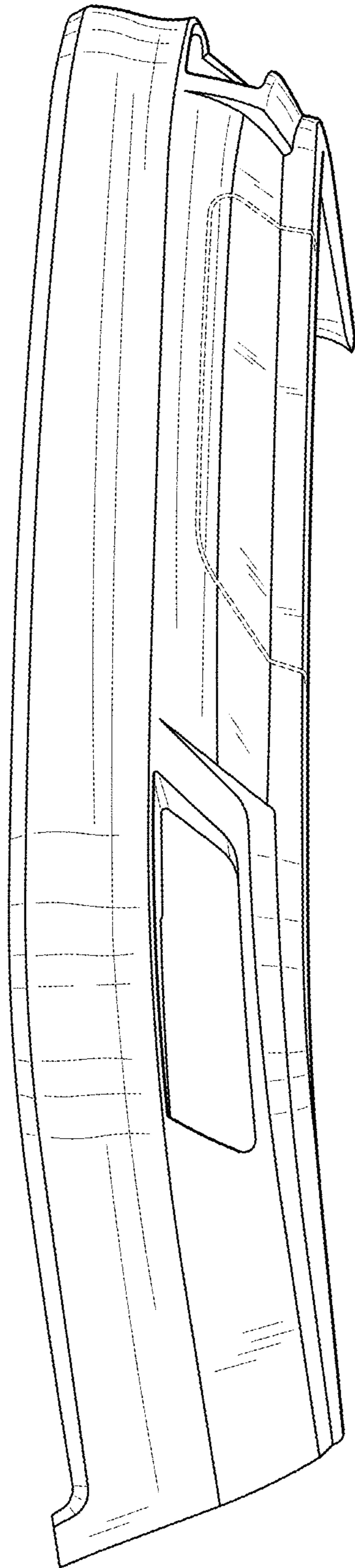


FIG. 1

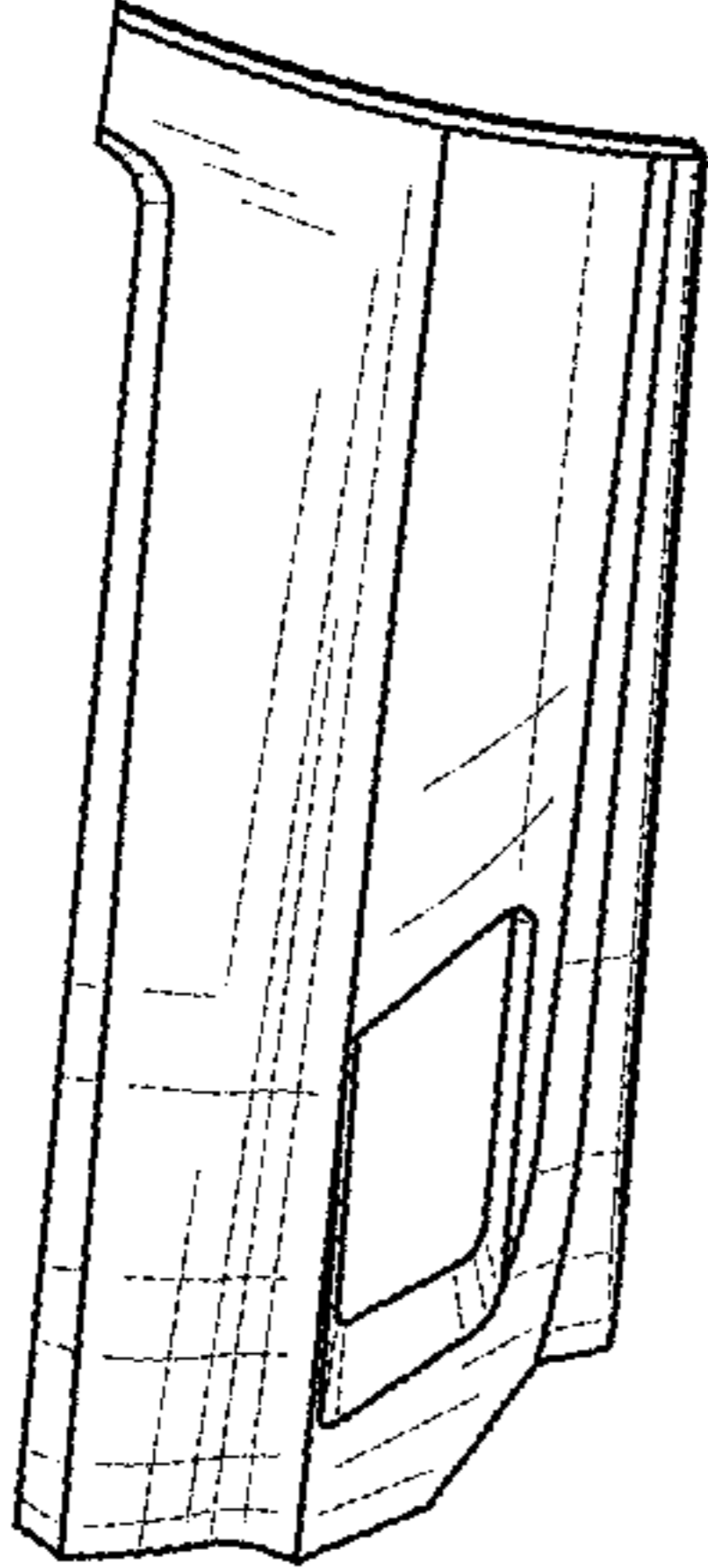


FIG. 3

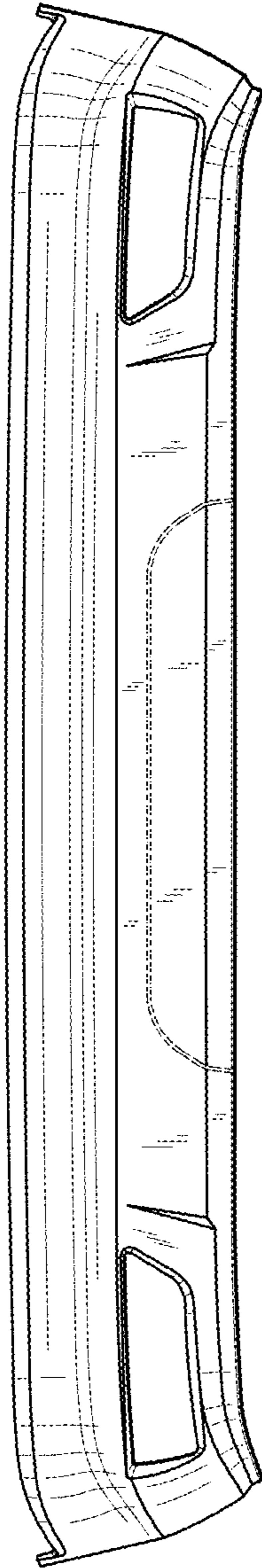


FIG. 2

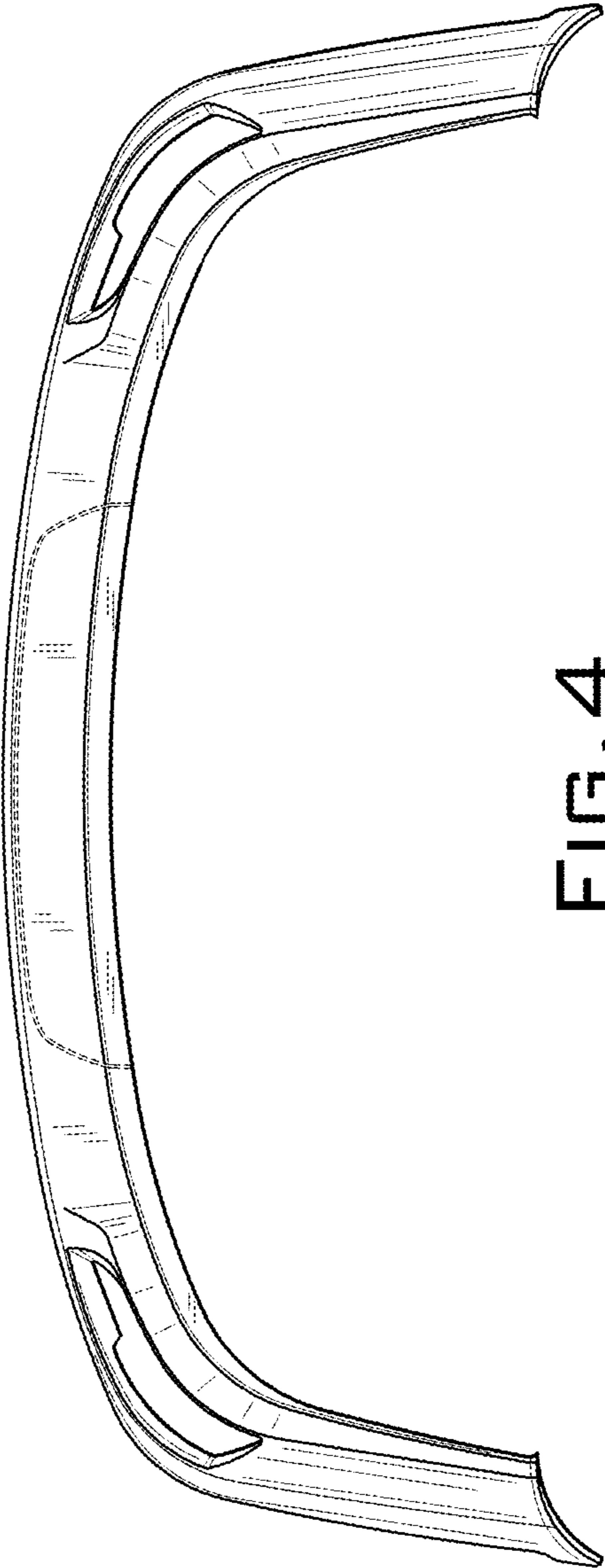


FIG. 4