

US00D760624S

(12) **United States Design Patent**  
**Balaresque et al.**

(10) **Patent No.:** **US D760,624 S**  
(45) **Date of Patent:** **\*\* Jul. 5, 2016**

- (54) **AUTONOMOUS DRONE**
- (71) Applicant: **Lily Robotics, Inc.**, San Francisco, CA (US)
- (72) Inventors: **Antoine Balaresque**, Atherton, CA (US); **Henry W. Bradlow**, Atherton, CA (US); **Robert N. Englin**, Los Angeles, CA (US)
- (73) Assignee: **Lily Robotics, Inc.**, San Francisco, CA (US)

4,913,377	A *	4/1990	Eickmann	.....	B64C 29/00	244/17.11
5,082,079	A *	1/1992	Lissaman	.....	B64C 27/20	180/118
D458,892	S *	6/2002	DeTore	.....	D12/319	
D465,196	S *	11/2002	Dammar	.....	D12/328	
D691,514	S *	10/2013	Wang	.....	D12/16.1	
8,967,029	B1 *	3/2015	Calvert	.....	F41H 13/00	239/171
2012/0056041	A1 *	3/2012	Rhee	.....	B64C 25/32	244/4 R
2015/0129711	A1 *	5/2015	Caubel	.....	B64C 27/08	244/17.23

(\*\*) Term: **14 Years**

(21) Appl. No.: **29/506,277**

(22) Filed: **Oct. 14, 2014**

(51) **LOC (10) Cl.** ..... **12-07**

(52) **U.S. Cl.**  
USPC ..... **D12/16.1**

(58) **Field of Classification Search**  
USPC ..... D12/16.1, 19, 322, 323, 326, 327, 328,  
D12/329, 330, 339, 341, 342, 343, 344;  
D21/436, 438, 439, 440, 441, 446, 447,  
D21/448, 449, 450, 453  
CPC ..... B64C 39/00; B64C 30/00; B64C 29/00;  
B64C 5/06

See application file for complete search history.

(56) **References Cited**

**U.S. PATENT DOCUMENTS**

3,053,480	A *	9/1962	Vanderlip	.....	B64C 27/54	244/17.13
3,345,016	A *	10/1967	Eickmann	.....	B64C 27/12	244/17.23
3,614,029	A *	10/1971	Eickmann	.....	B64C 11/00	244/17.23

**OTHER PUBLICATIONS**

Lily Drone1 by Andrew Amato. Dated May 12, 2015. found online on [Jan. 22, 2016] <http://dronelife.com/2015/05/12/another-follow-me-drone-takes-flight-introducing-the-lily-camera/>.\*

\* cited by examiner

*Primary Examiner* — Robert M Spear  
*Assistant Examiner* — Marissa J Cash

(74) *Attorney, Agent, or Firm* — Perkins Coie LLP

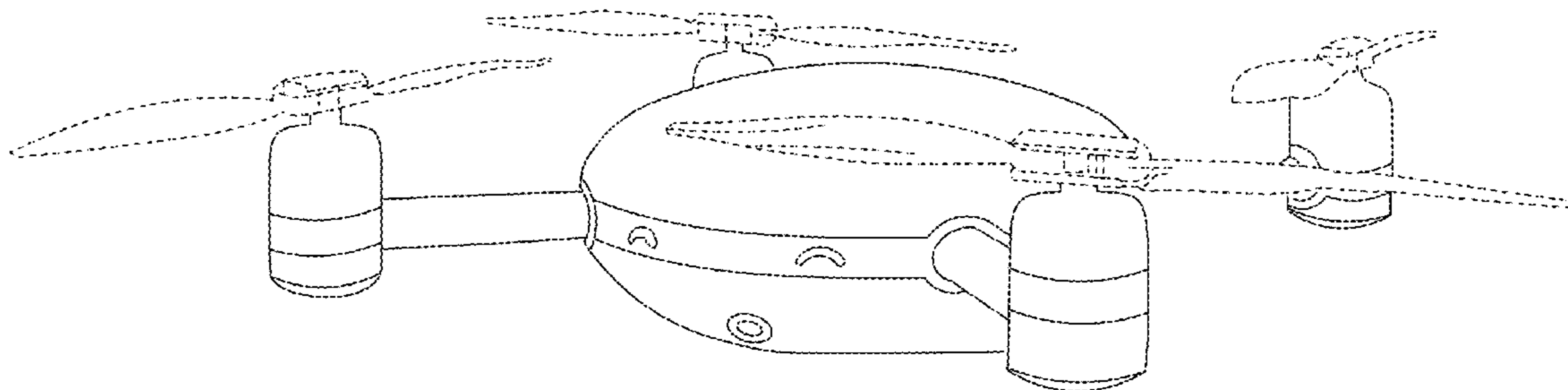
(57) **CLAIM**

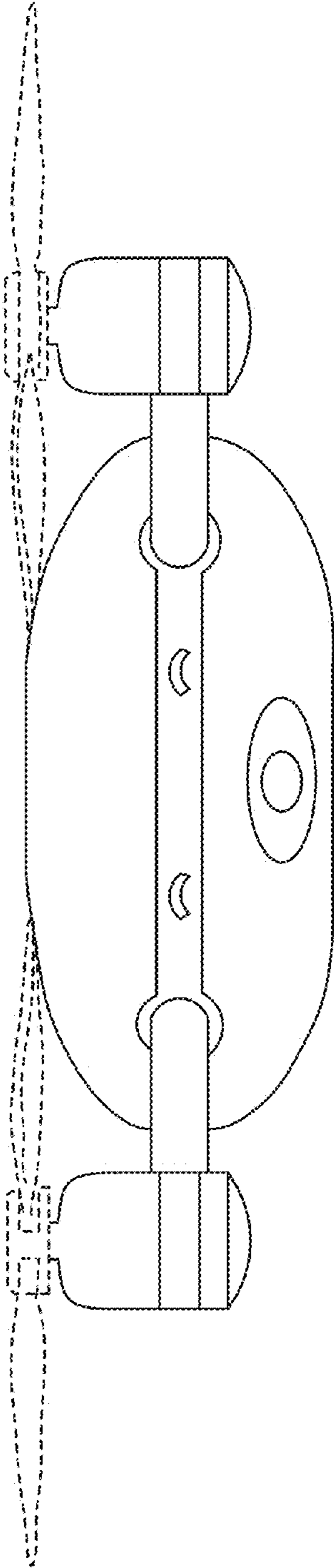
The ornamental design for an autonomous drone, as shown and described.

**DESCRIPTION**

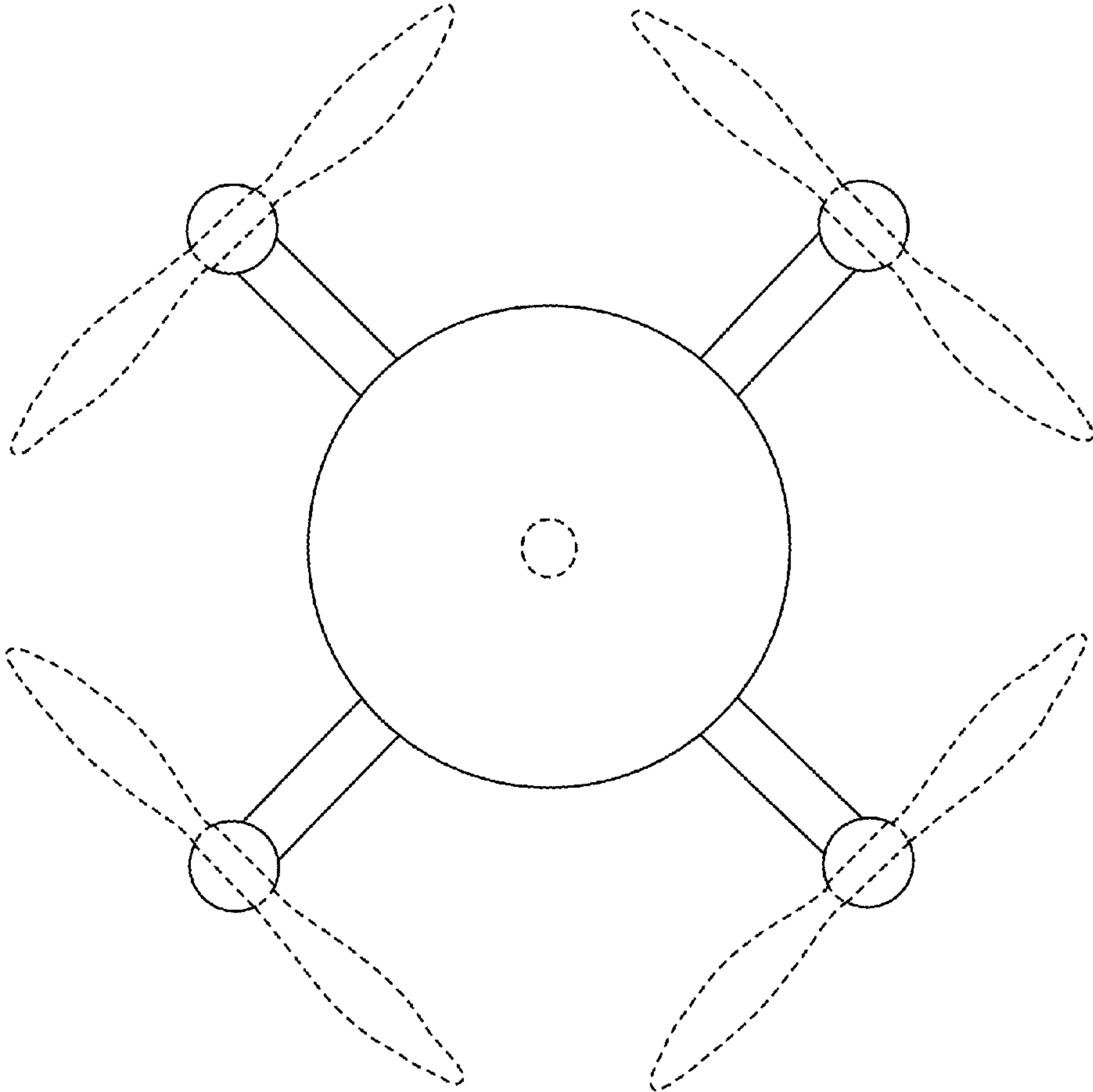
FIG. 1 is a front view of an autonomous drone;  
FIG. 2 is a top view thereof;  
FIG. 3 is a back view thereof; and  
FIG. 4 is a first perspective view thereof; and,  
FIG. 5 is a second perspective view thereof.  
The broken lines in the figures form no part the claimed design.

**1 Claim, 5 Drawing Sheets**





*FIG. 1*



**FIG. 2**

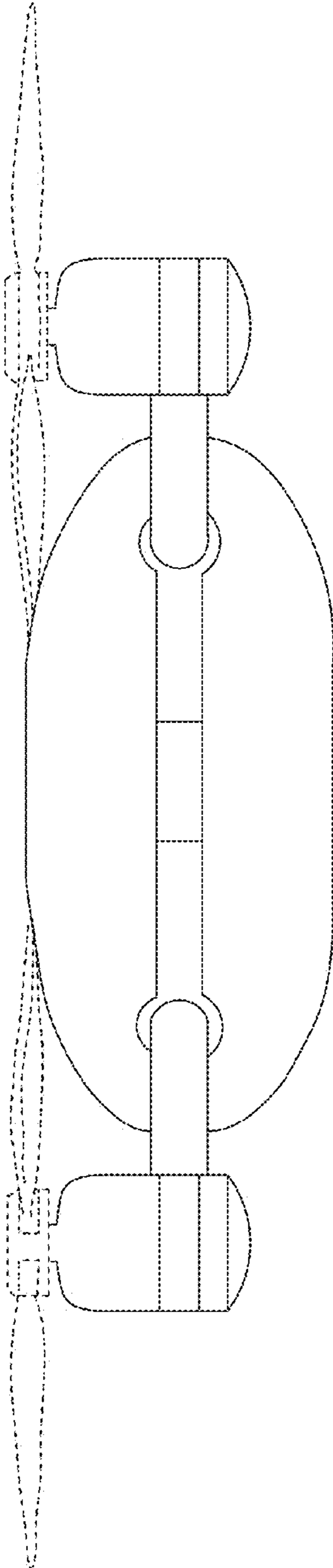


FIG. 3

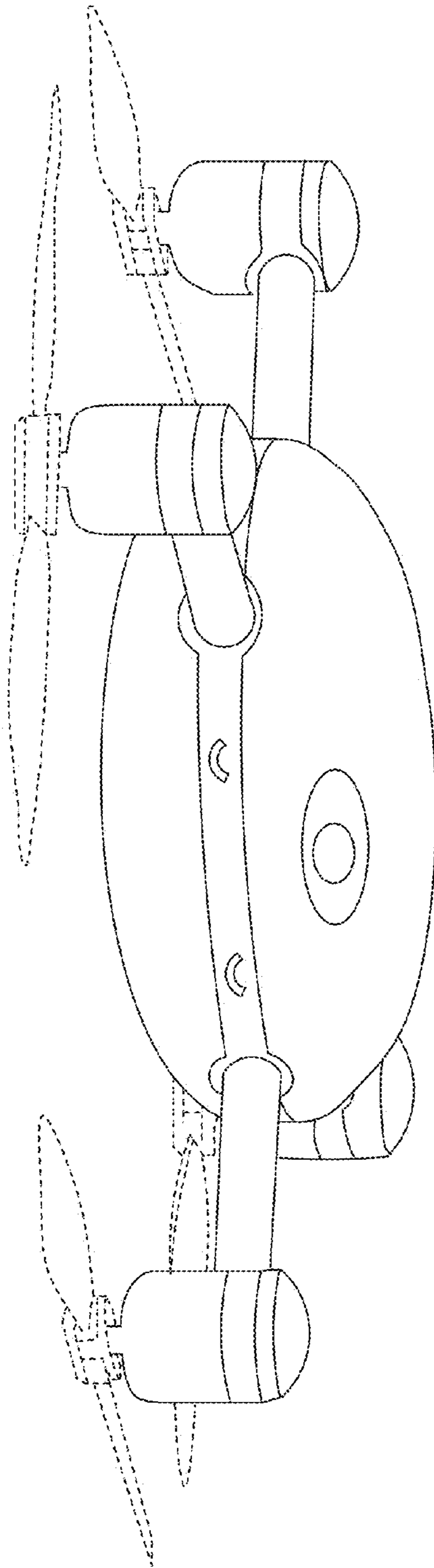


FIG. 4

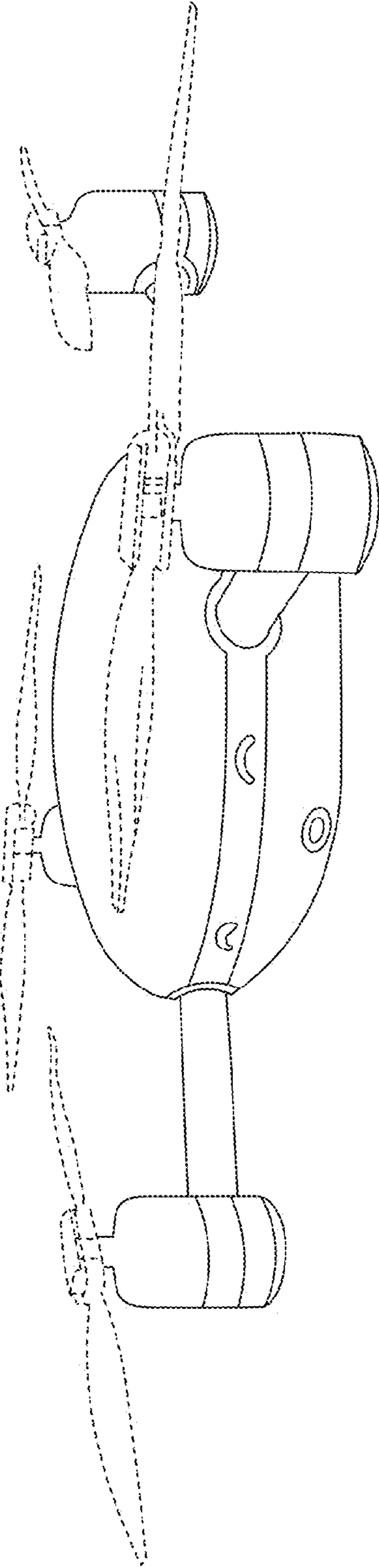


FIG. 5