



US00D760622S

(12) **United States Design Patent**
Ogden

(10) **Patent No.:** **US D760,622 S**
(45) **Date of Patent:** **** Jul. 5, 2016**

- (54) **TOWER PLANTER**
- (71) Applicant: **Tobias Nathan Ogden**, Carlsbad, CA (US)
- (72) Inventor: **Tobias Nathan Ogden**, Carlsbad, CA (US)
- (**) Term: **14 Years**
- (21) Appl. No.: **29/524,100**
- (22) Filed: **Apr. 16, 2015**
- (51) **LOC (10) Cl.** **11-02**
- (52) **U.S. Cl.**
USPC **D11/143**
- (58) **Field of Classification Search**
USPC D6/403–405, 556–558; D11/143–156, D11/164; D7/545, 584, 587; 47/67
CPC A01G 9/02; A01G 9/021; A01G 9/023; A01G 9/024; A01G 9/028; A01G 9/04; A01G 9/042; A01G 9/14
See application file for complete search history.

D396,201 S *	7/1998	Lashlee	D11/143
5,918,416 A *	7/1999	Ammann, Jr.	A01G 31/02 47/58.1 R
D429,661 S *	8/2000	Yano	D11/146
6,477,805 B2 *	11/2002	Ware	A01G 9/023 47/83
6,615,542 B2 *	9/2003	Ware	A01G 31/02 47/83
D511,995 S *	11/2005	Pettis, III	D11/131.1
7,055,282 B2 *	6/2006	Bryan, III	A01G 31/06 47/62 R
7,171,782 B2	2/2007	Felknor		
D631,683 S *	2/2011	Ash	D6/558
D653,156 S *	1/2012	Phelps	D11/143
D714,993 S *	10/2014	Clendening	D26/118
D752,478 S *	3/2016	Cudmore	D11/152
2013/0061521 A1	3/2013	Cudmore		

* cited by examiner

Primary Examiner — Elizabeth Albert

(74) *Attorney, Agent, or Firm* — Eric Karich; Karich & Associates

(57) **CLAIM**

The ornamental design for a “tower planter,” as shown and described.

(56) **References Cited**

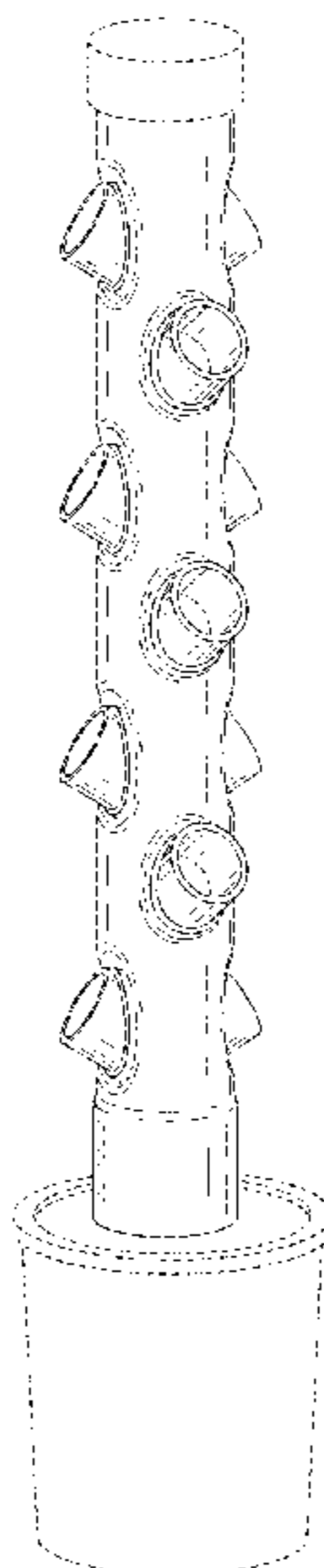
U.S. PATENT DOCUMENTS

262,335 A *	8/1882	Wagner	A01G 9/022 47/83
3,850,290 A *	11/1974	Murphy	B65D 25/38 206/457
D251,718 S *	5/1979	Hart	D11/144
D262,274 S *	12/1981	Lahr	47/82
D278,614 S *	4/1985	Moss	D11/143
4,622,777 A *	11/1986	Greene, Jr.	A01G 9/022 47/67
D328,574 S *	8/1992	Perkins	D11/148
5,276,997 A *	1/1994	Swearengin	A01G 9/022 47/48.5
5,555,676 A	9/1996	Lund		
5,724,768 A *	3/1998	Ammann, Jr.	A01G 31/02 47/59 R

DESCRIPTION

FIG. 1 is a perspective view of a tower planter, showing my new design;
 FIG. 2 is a front elevational view thereof;
 FIG. 3 is a rear elevational view thereof;
 FIG. 4 is a left side elevational view thereof;
 FIG. 5 is a right side elevational view thereof;
 FIG. 6 is a top plan view thereof; and,
 FIG. 7 is a bottom plan view thereof.
 The broken lines showing a top cap, the insides of the openings and a bottom bucket reservoir are included for the purpose of showing portions of the tower planter that form no part of the claimed design.

1 Claim, 2 Drawing Sheets



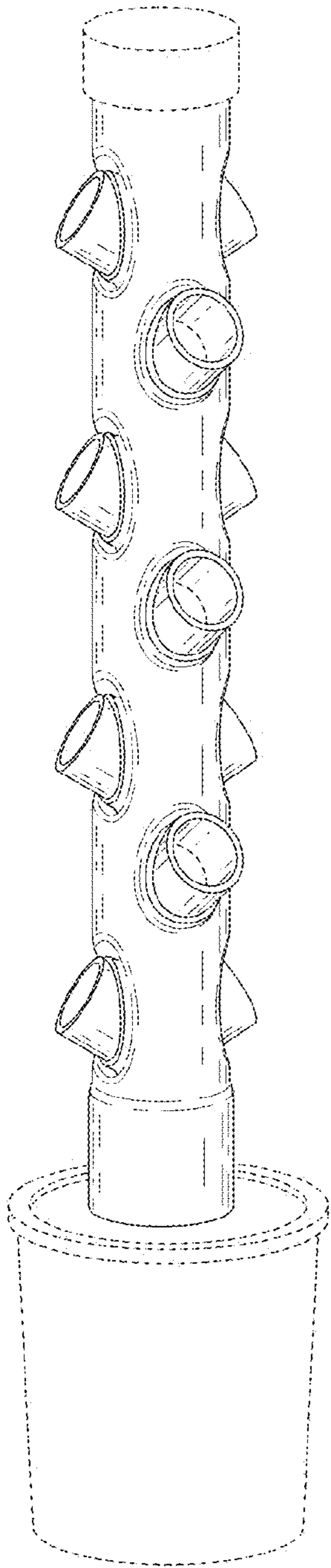


Fig. 1

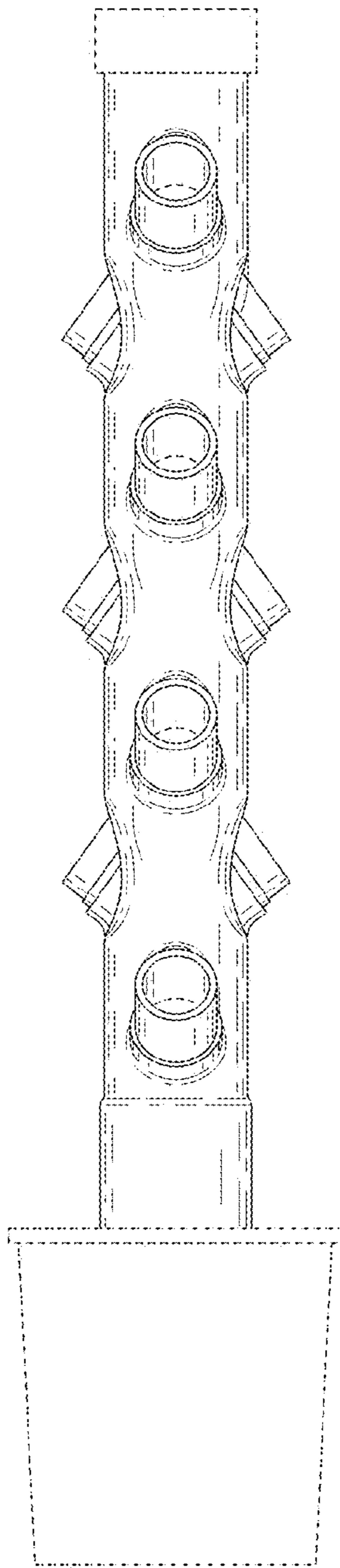


Fig. 2

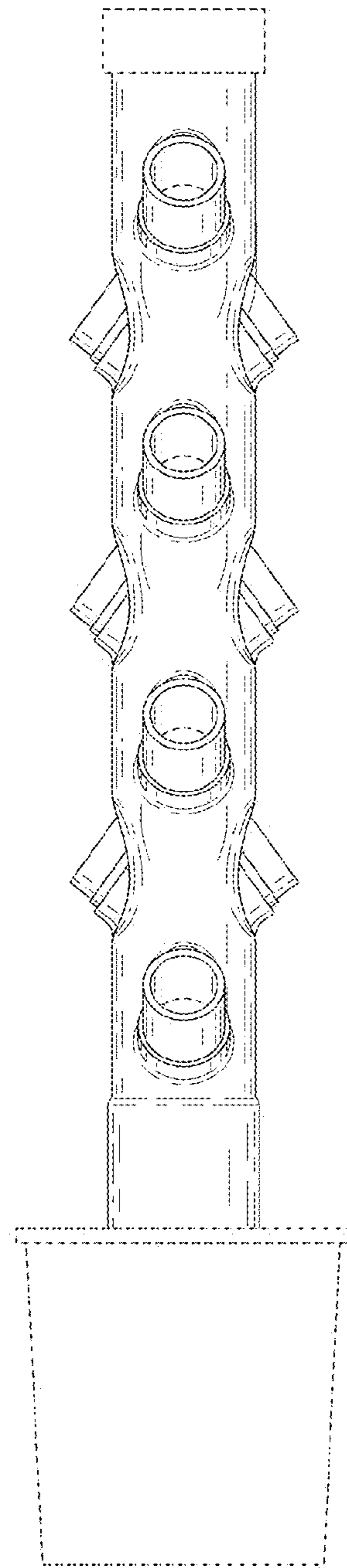


Fig. 3

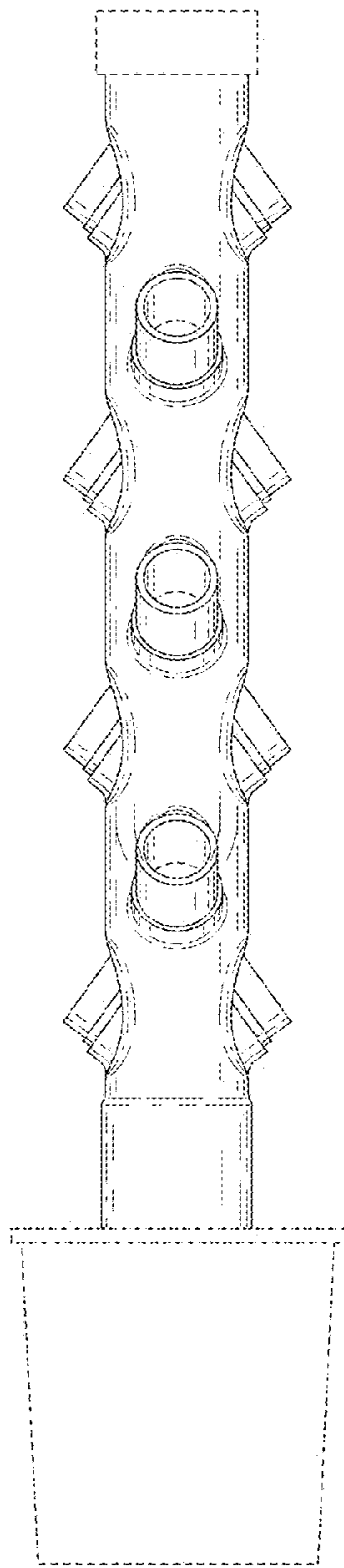


Fig. 4

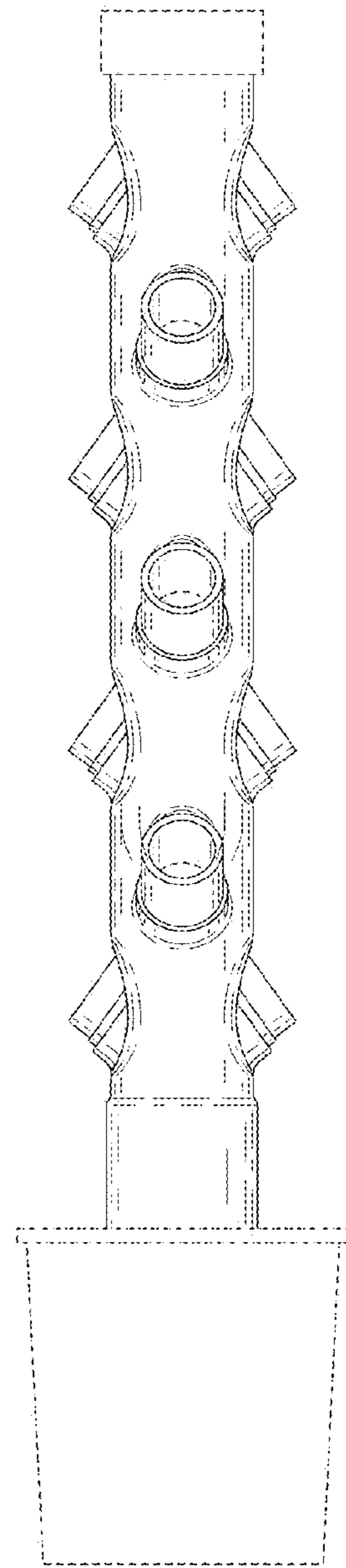


Fig. 5

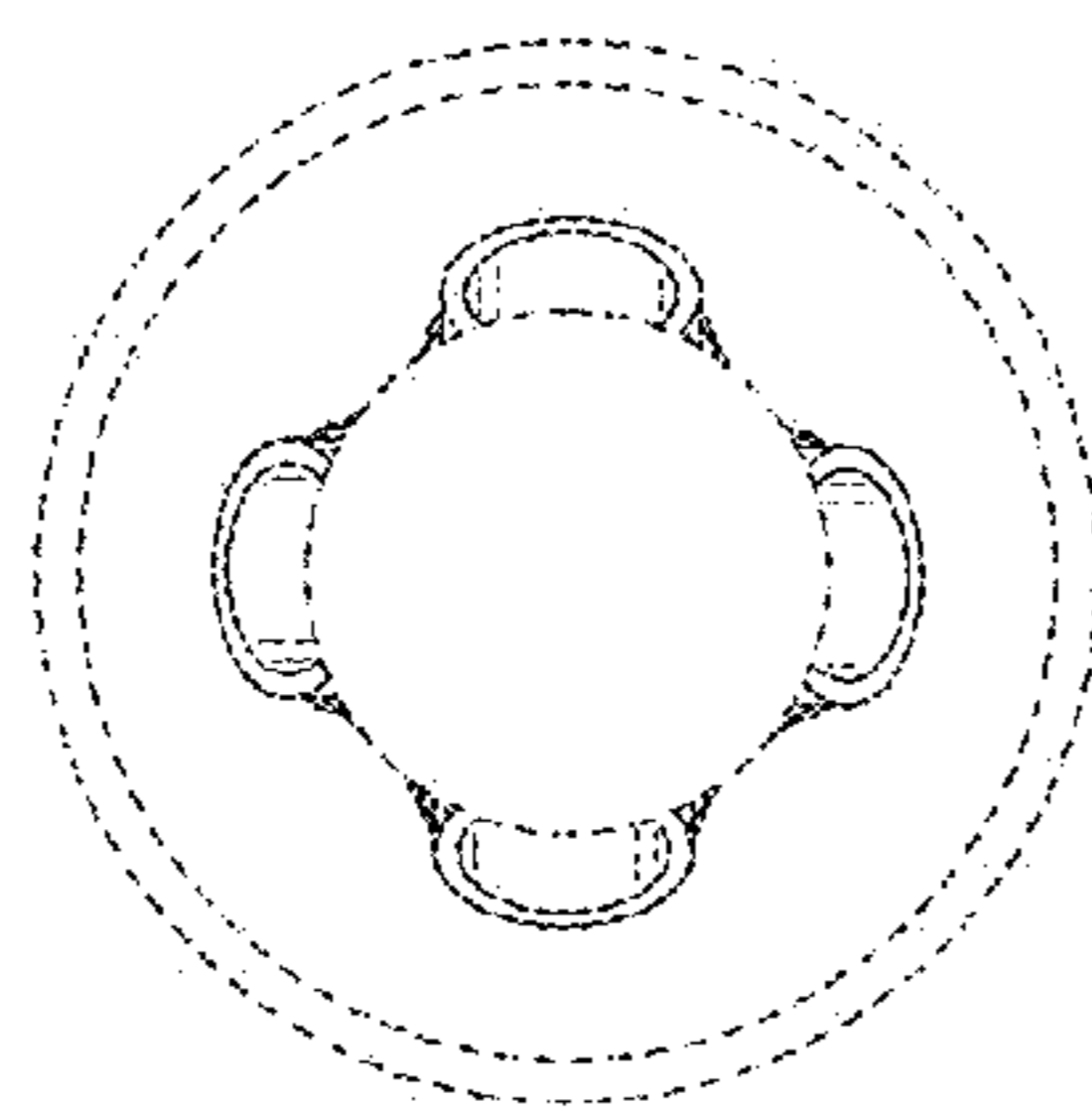


Fig. 6

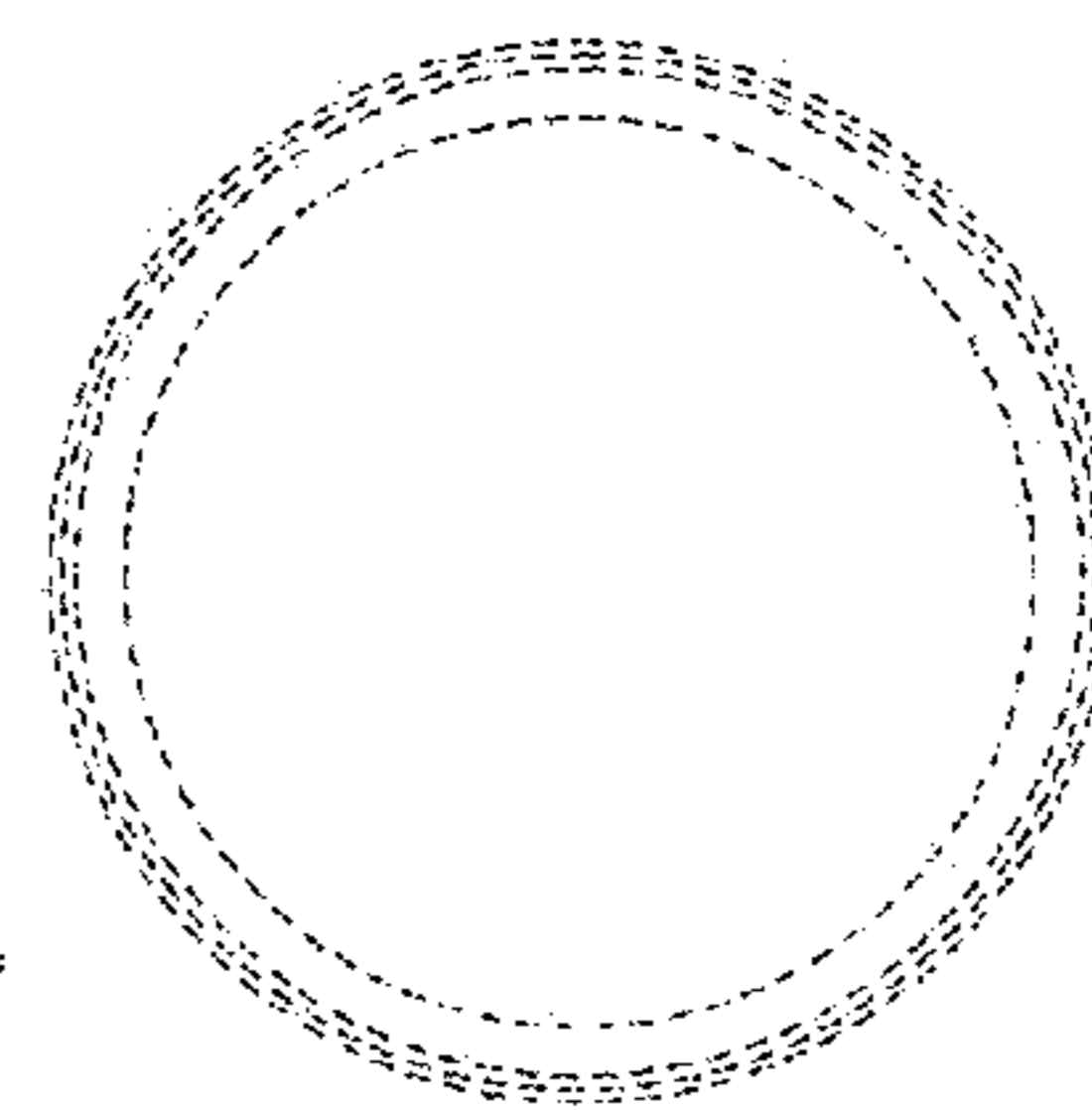


Fig. 7