



US00D760614S

(12) **United States Design Patent**  
**Jacobs et al.**

(10) **Patent No.:** **US D760,614 S**  
(45) **Date of Patent:** **\*\* Jul. 5, 2016**

(54) **WATCH**

(71) Applicant: **Olio Devices, Inc.**, San Francisco, CA (US)

(72) Inventors: **Steven Jacobs**, San Francisco, CA (US); **Trip Vest**, San Francisco, CA (US); **Kyle Dell'Aquila**, San Francisco, CA (US); **Evan Wilson**, San Francisco, CA (US); **AJ Cooper**, San Francisco, CA (US); **Michael Miller**, San Francisco, CA (US); **Michael Smith**, San Francisco, CA (US)

(73) Assignee: **Olio Devices, Inc.**, San Francisco, CA (US)

(\*\*) Term: **14 Years**

(21) Appl. No.: **29/488,587**

(22) Filed: **Apr. 21, 2014**

(51) **LOC (10) Cl.** ..... **10-07**

(52) **U.S. Cl.**  
USPC ..... **D10/128**

(58) **Field of Classification Search**  
USPC ..... D10/30-39, 1-29, 122-132; D14/344, D14/138 R  
CPC ..... G04B 19/00; G04B 19/283; G04B 19/10; G04B 37/00; G04B 37/0008; G04B 37/0058; G04B 37/005; G04B 37/11; G04B 37/113; G04B 37/116  
See application file for complete search history.

(56) **References Cited**

**U.S. PATENT DOCUMENTS**

- 235,010 A \* 11/1880 Parker et al. .... G04B 37/0008 368/276
- D26,922 S \* 4/1897 Smith ..... D10/128
- D201,452 S \* 6/1965 Shipley ..... D10/26
- 4,397,566 A \* 8/1983 Lederrey ..... G04B 37/0008 368/276
- D304,429 S \* 11/1989 Hirschhorn ..... D10/126

- D310,181 S \* 8/1990 Nobs ..... D10/128
- D338,161 S \* 8/1993 Kizaki ..... D10/126
- D394,815 S \* 6/1998 Jorss ..... D10/33
- D427,243 S \* 6/2000 Luby ..... D20/28
- D431,202 S \* 9/2000 Luscher ..... D10/128
- D453,006 S \* 1/2002 LePeu ..... D10/126
- D489,018 S \* 4/2004 Grotell ..... D10/126
- D526,232 S \* 8/2006 Calvani ..... D10/126
- 7,111,978 B2 \* 9/2006 Gerber ..... G04B 19/283 368/295
- D529,825 S \* 10/2006 Perrenoud ..... D10/38
- D588,472 S \* 3/2009 Messmer ..... D10/32
- 7,976,214 B2 \* 7/2011 Hiranuma ..... G04B 37/005 368/276

(Continued)

*Primary Examiner* — Martie K Holtje

(74) *Attorney, Agent, or Firm* — Jeffrey Schox; Diana Lin

(57) **CLAIM**

I claim the ornamental design for a watch, as shown and described.

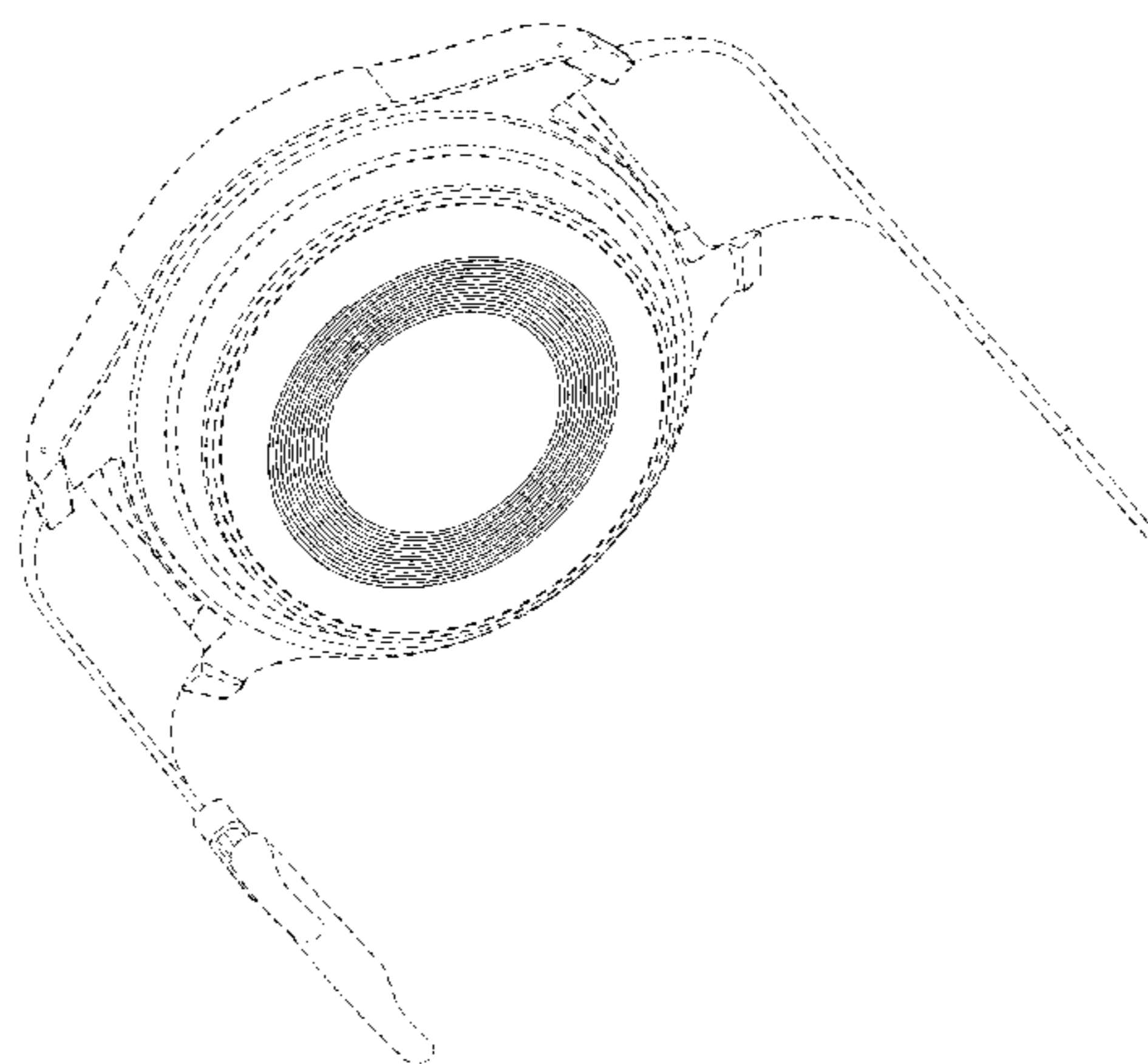
**DESCRIPTION**

FIG. 1 is a bottom right isometric view of a first embodiment of a watch showing our new design;  
FIG. 2 is a top left isometric view thereof;  
FIG. 3 is a bottom plan view thereof;  
FIG. 4 is a left side elevational view thereof;  
FIG. 5 is a right side elevational view thereof;  
FIG. 6 is a top plan view thereof;  
FIG. 7 is a rear elevational view thereof;  
FIG. 8 is a front elevational view thereof;  
FIG. 9 is a bottom right isometric view of a second embodiment of the watch; and,  
FIG. 10 is a bottom plan view of FIG. 9.

The scope of the claim is directed to the spiral pattern on the bottom surface of the watch and is limited solely to the spiral pattern without claiming the spaces within or without the spiral pattern.

The broken lines in the drawing have been provided for the purpose of illustrating portions of the watch that form no part of the claimed design.

**1 Claim, 7 Drawing Sheets**



# US D760,614 S

Page 2

---

(56)

## References Cited

2012/0140604 A1\* 6/2012 Kawakami ..... G04B 19/10  
368/276

U.S. PATENT DOCUMENTS

D645,373 S \* 9/2011 Car ..... D10/125 \* cited by examiner

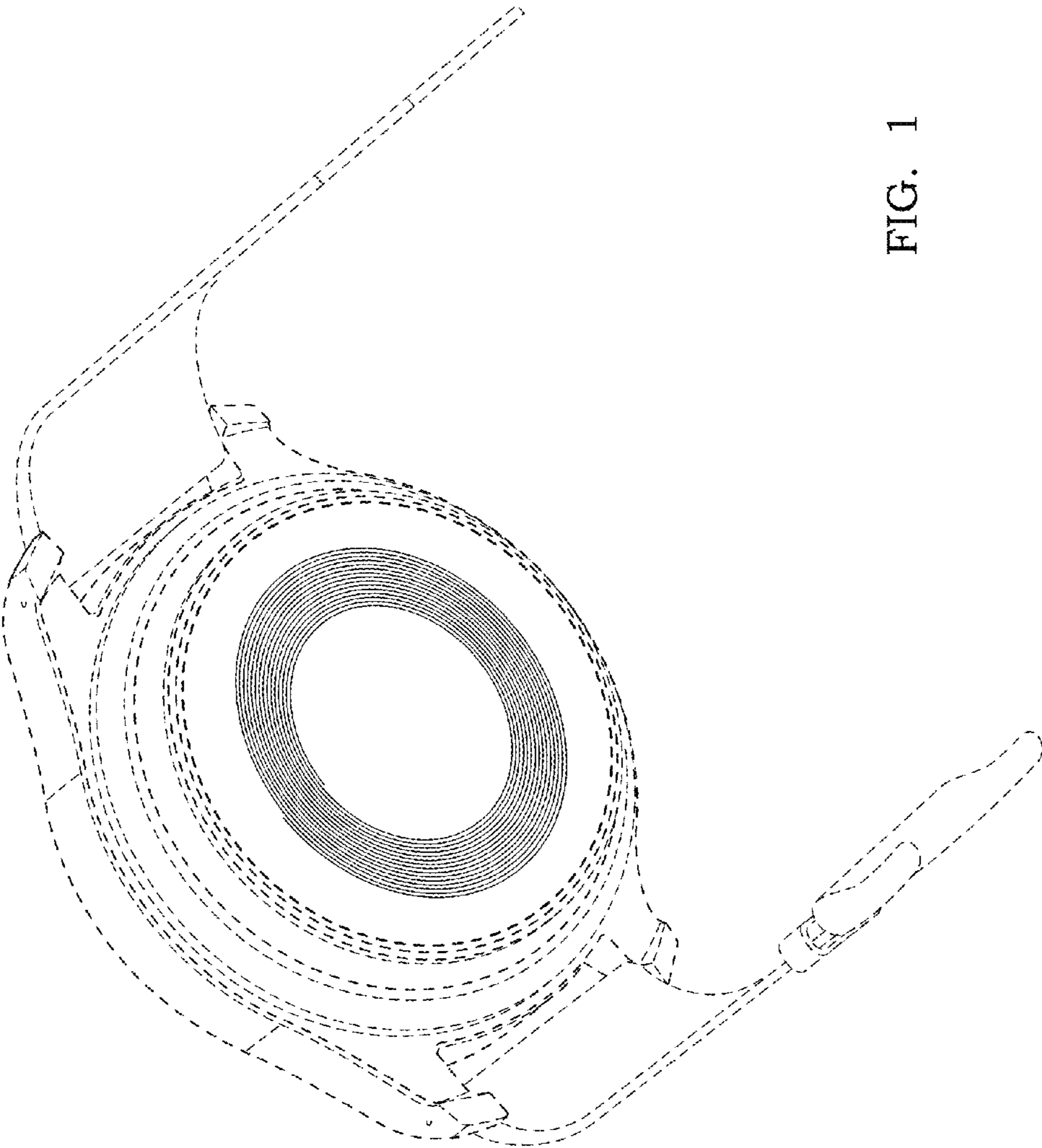


FIG. 1

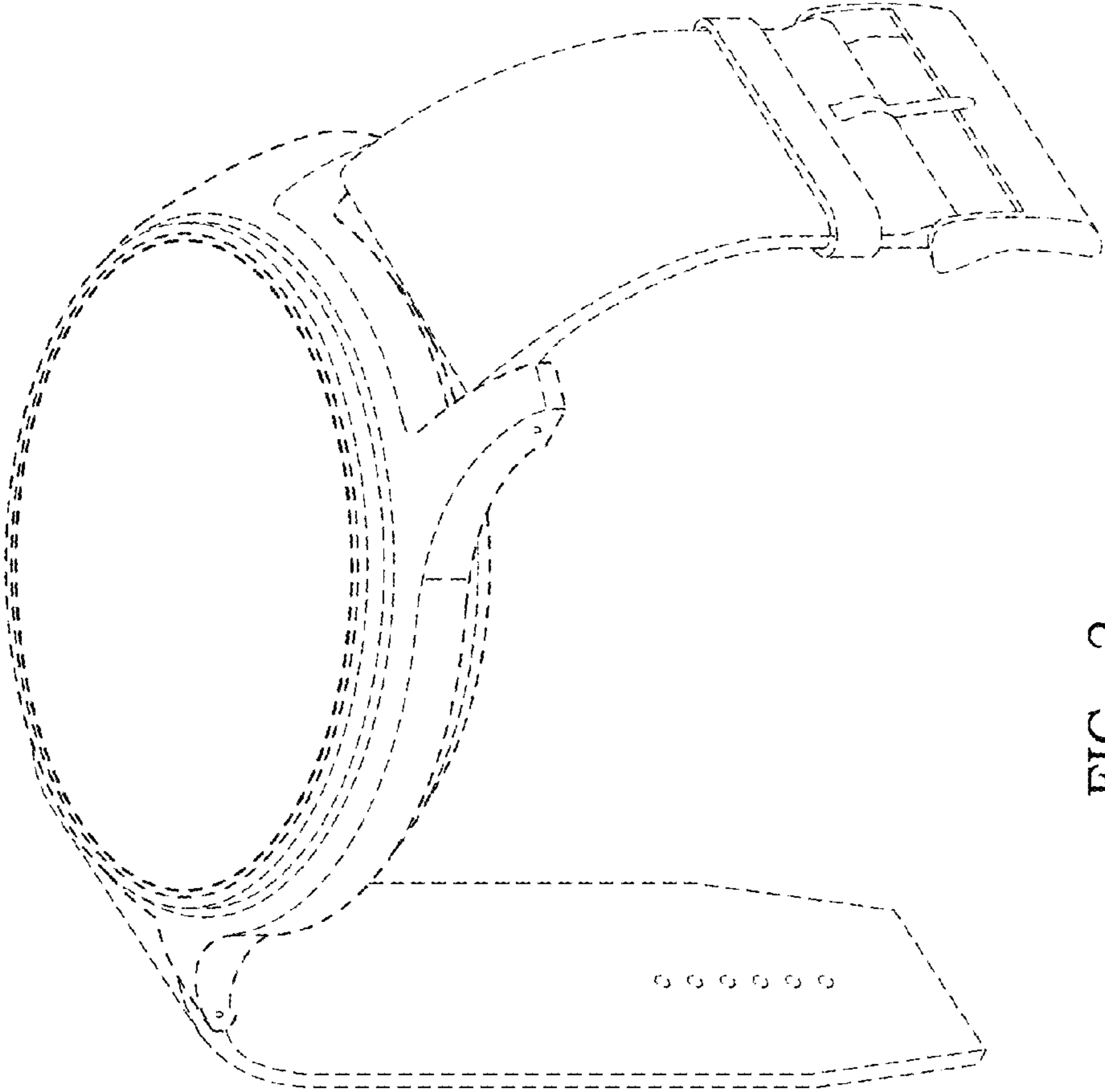


FIG. 2

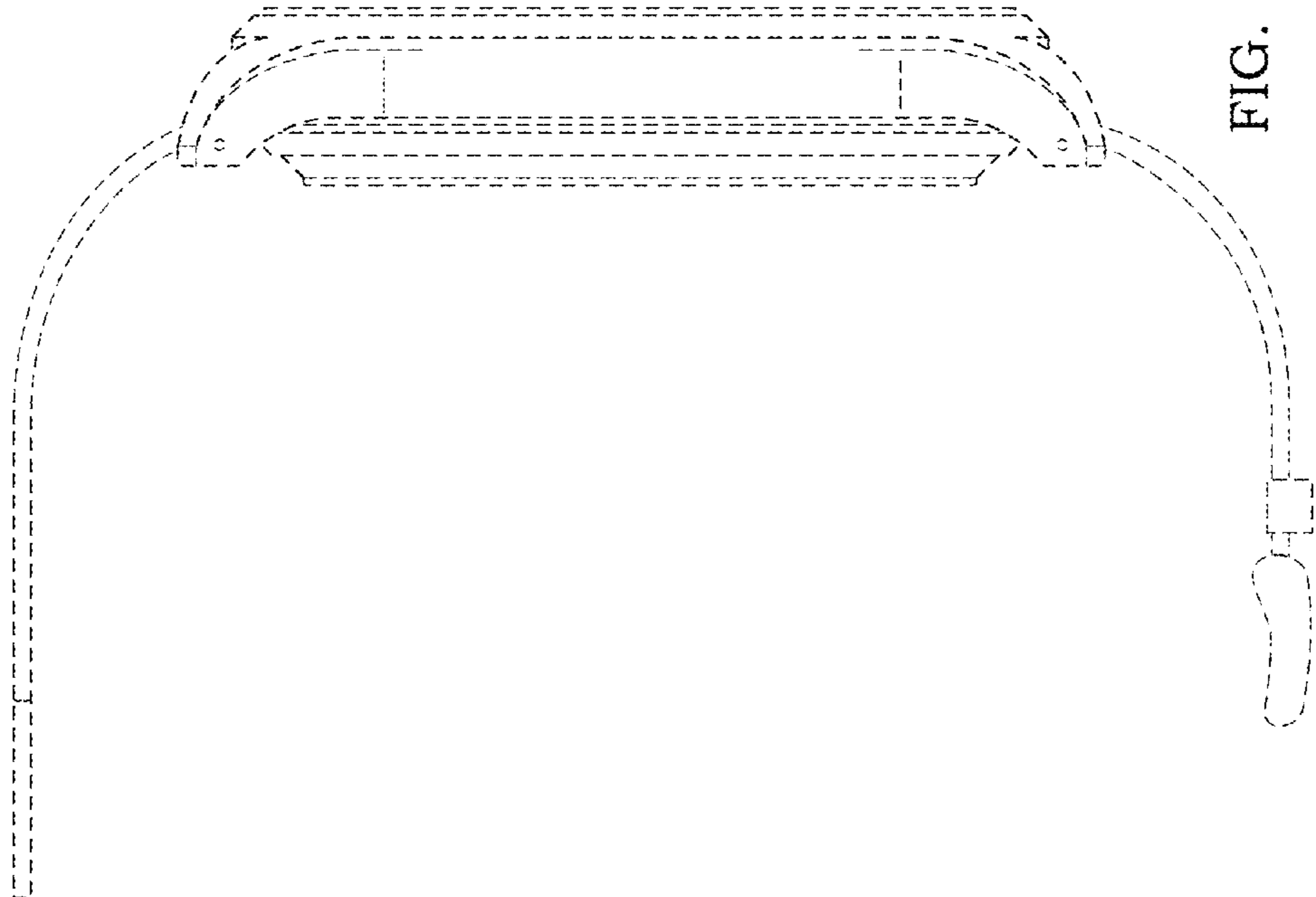


FIG. 4

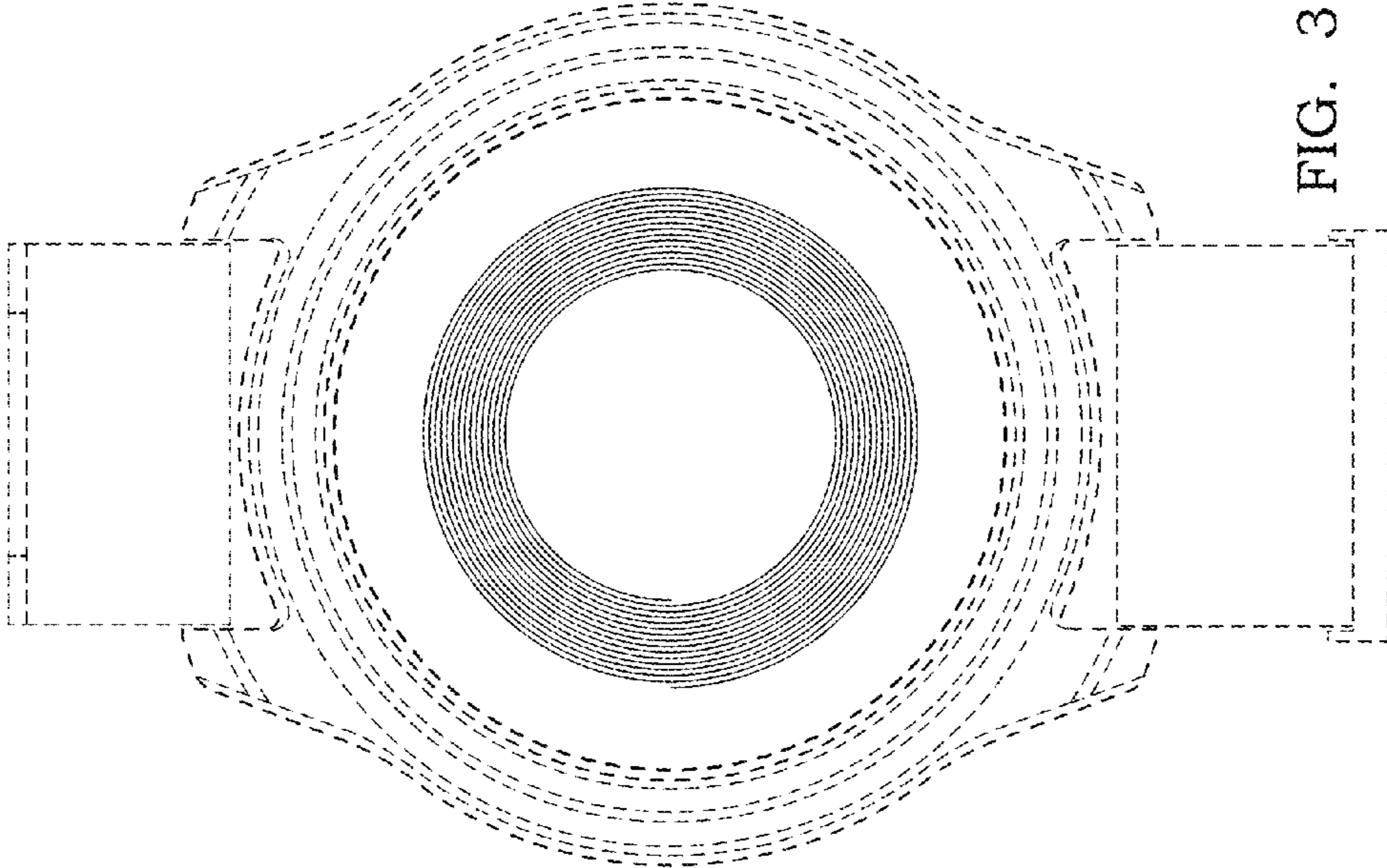


FIG. 3

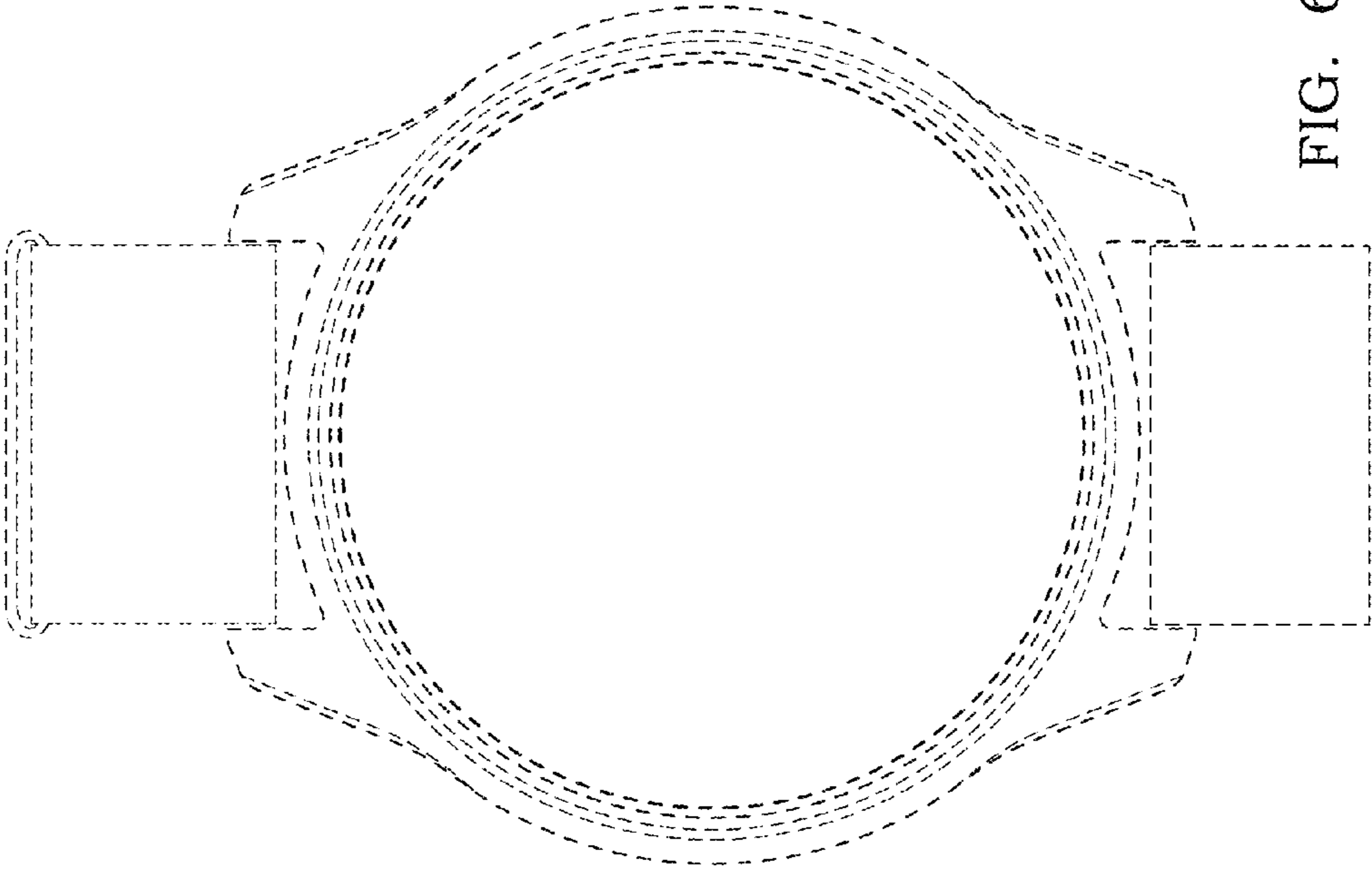


FIG. 6



FIG. 5

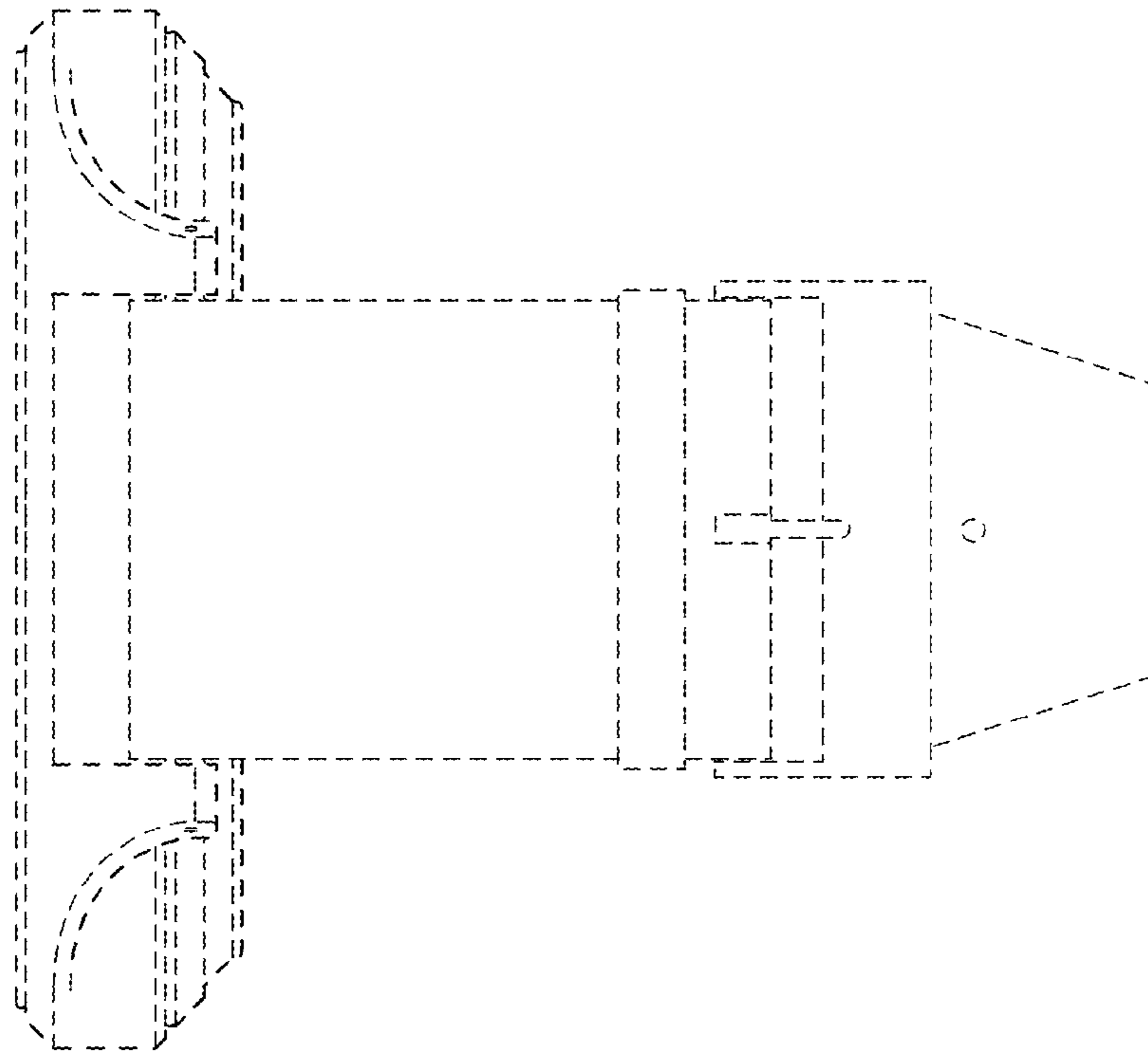


FIG. 7

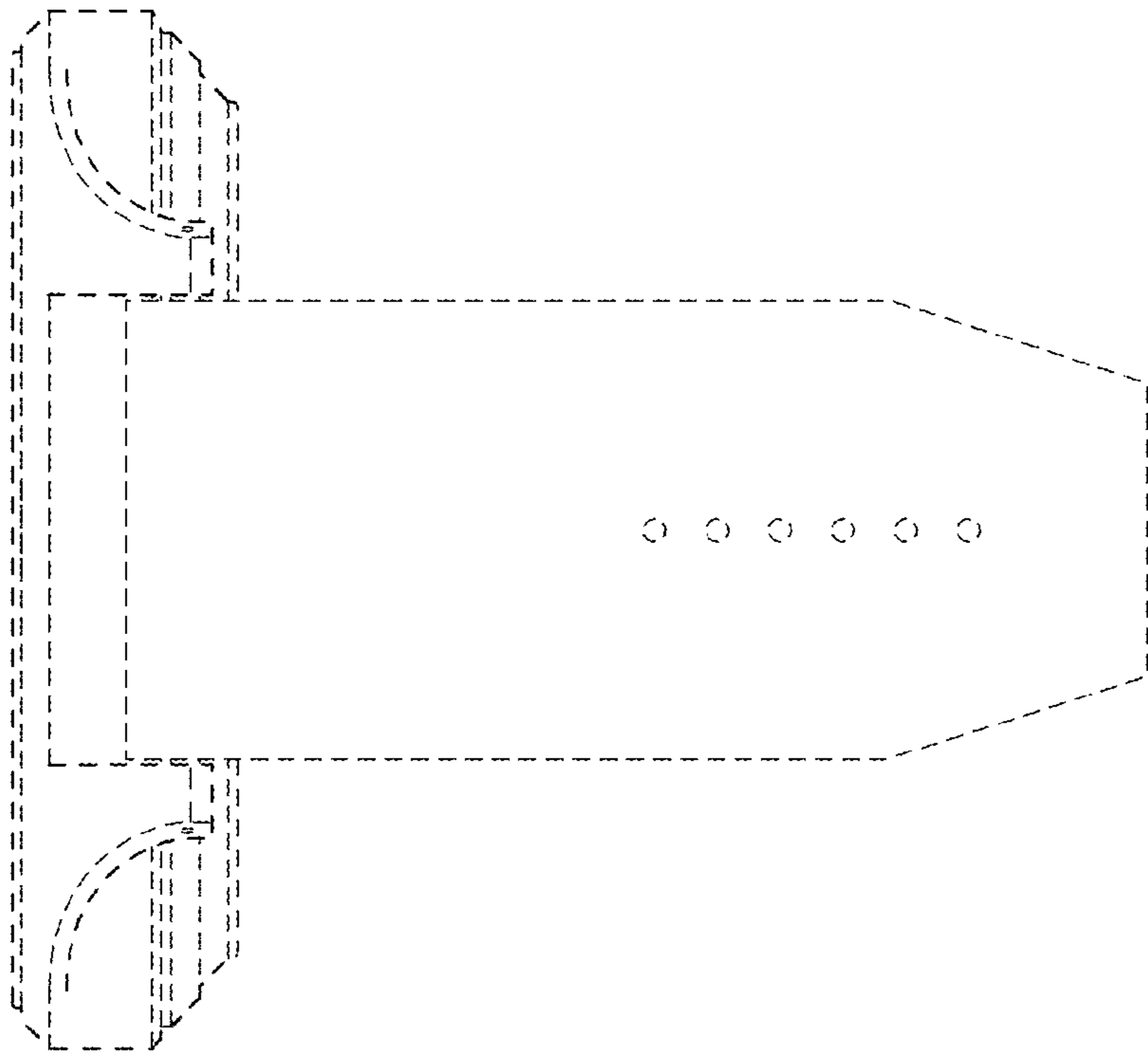


FIG. 8

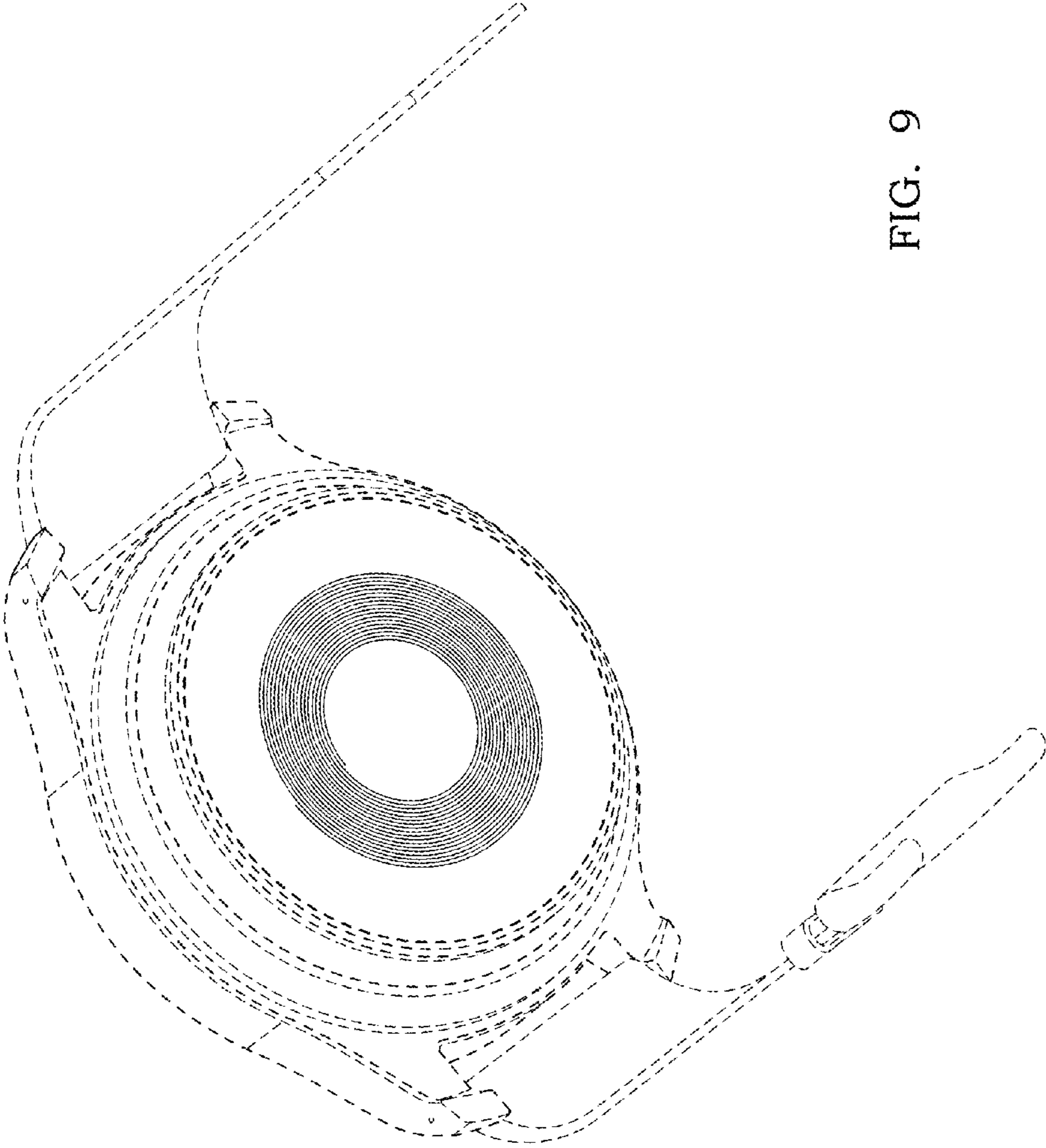


FIG. 9



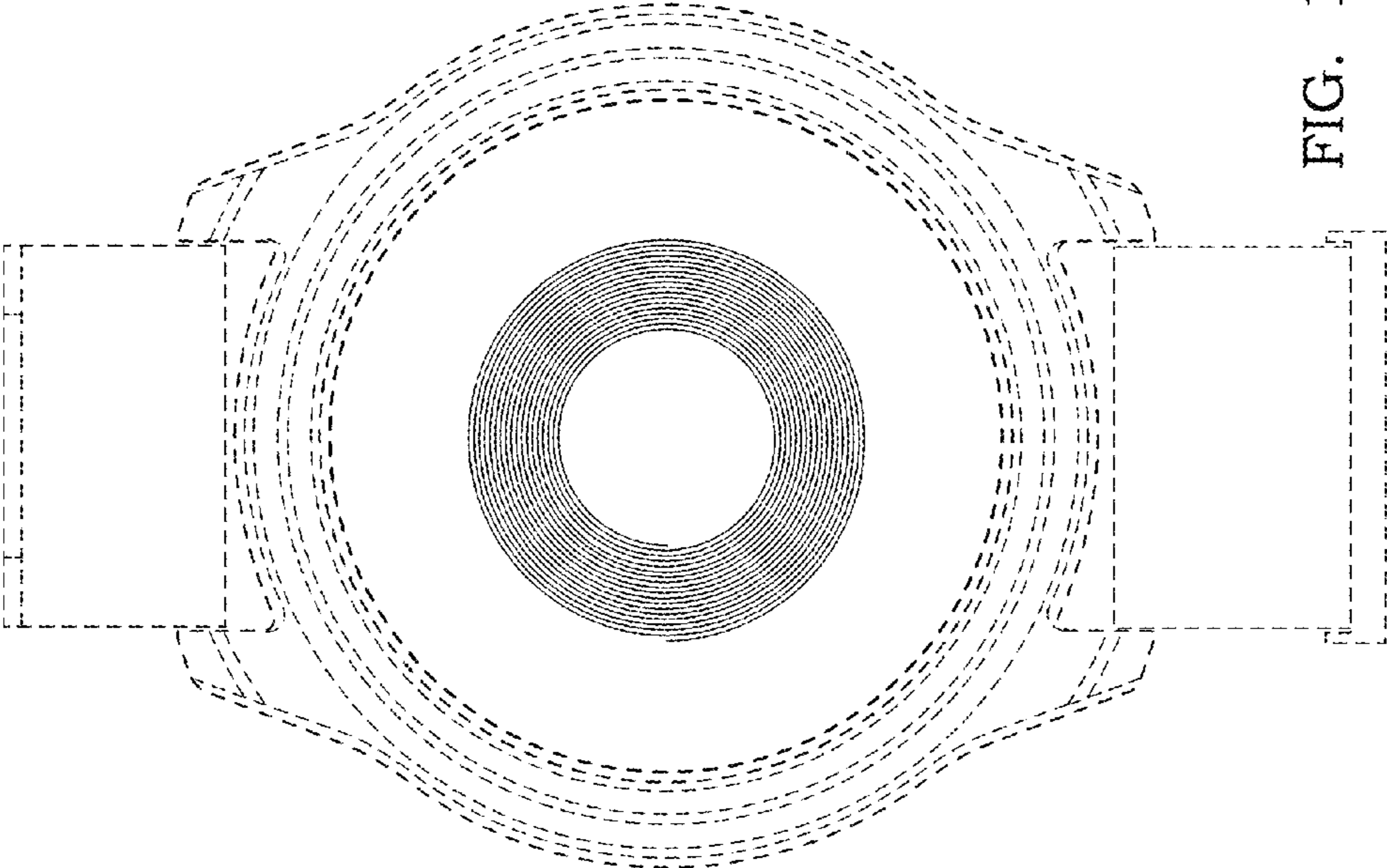


FIG. 10