



US00D760609S

(12) **United States Design Patent**  
**Nakata**

(10) **Patent No.:** **US D760,609 S**  
(45) **Date of Patent:** **\*\* Jul. 5, 2016**

(54) **MOISTURE ANALYZER**

(71) Applicant: **Terumo Kabushiki Kaisha**, Shibuya-ku,  
Tokyo (JP)

(72) Inventor: **Kazuha Nakata**, Tokyo (JP)

(73) Assignee: **Terumo Kabushiki Kaisha**, Shibuya-ku,  
Tokyo (JP)

(\*\*) Term: **14 Years**

(21) Appl. No.: **29/520,894**

(22) Filed: **Mar. 18, 2015**

(30) **Foreign Application Priority Data**

Jan. 23, 2015 (JP) ..... 2015-001160

(51) **LOC (10) Cl.** ..... **10-04**

(52) **U.S. Cl.**  
USPC ..... **D10/56**

(58) **Field of Classification Search**  
USPC ..... D10/52, 53, 56  
CPC ... G01N 19/10; G01N 27/048; G01N 33/246;  
G01N 33/24; G01N 27/223; G01N 27/225;  
G01R 27/14; G01R 27/16; G01R 27/18;  
G01R 27/20; G01R 27/205; G08B 21/00;  
G08B 21/20

See application file for complete search history.

(56) **References Cited**

U.S. PATENT DOCUMENTS

D247,162	S *	2/1978	Vanasco	.....	D10/53
D247,702	S *	4/1978	Schwartz	.....	D10/56
D248,150	S *	6/1978	Koch	.....	D10/56
D426,473	S *	6/2000	Blackburn	.....	D10/56
8,779,362	B1 *	7/2014	Amundsen	.....	G01N 21/35 250/339.01
9,159,013	B2 *	10/2015	Zhao	.....	G06K 19/0723

\* cited by examiner

*Primary Examiner* — Antoine D Davis

(74) *Attorney, Agent, or Firm* — Banner & Witcoff, Ltd.

(57) **CLAIM**

The ornamental design for a moisture analyzer, as shown and described.

**DESCRIPTION**

FIG. 1 is a perspective view of front, top and left side of moisture analyzer showing my new design;

FIG. 2 is a front view thereof;

FIG. 3 is a rear view thereof;

FIG. 4 is a top view thereof;

FIG. 5 is a bottom view thereof;

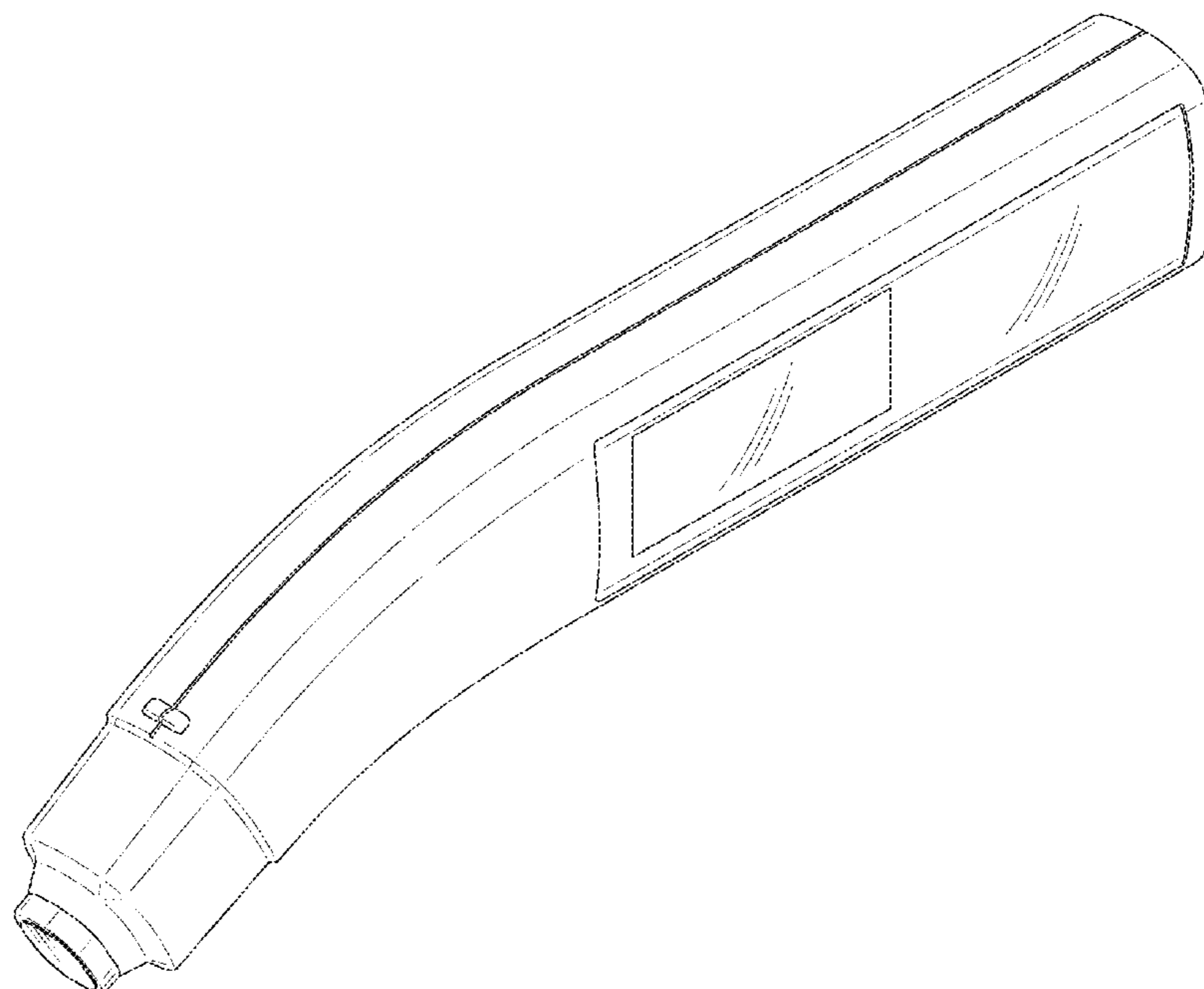
FIG. 6 is a left side view thereof;

FIG. 7 is a right side view thereof; and,

FIG. 8 is a perspective view showing an usage status with a cap thereof.

The portions of the article in broken lines are shown for illustrative purposes only and form no part of the claimed design.

**1 Claim, 5 Drawing Sheets**



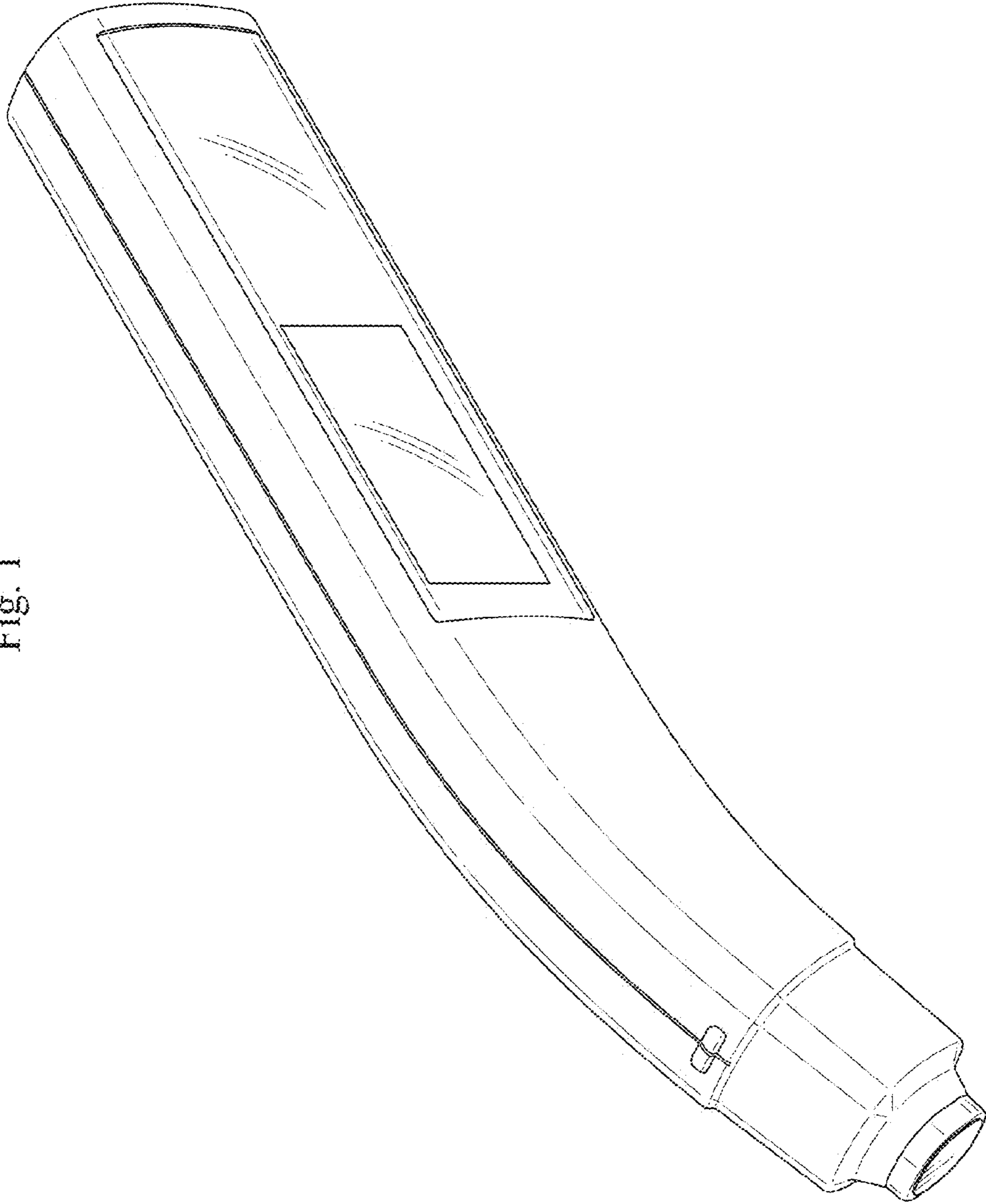


Fig. 1

Fig. 2

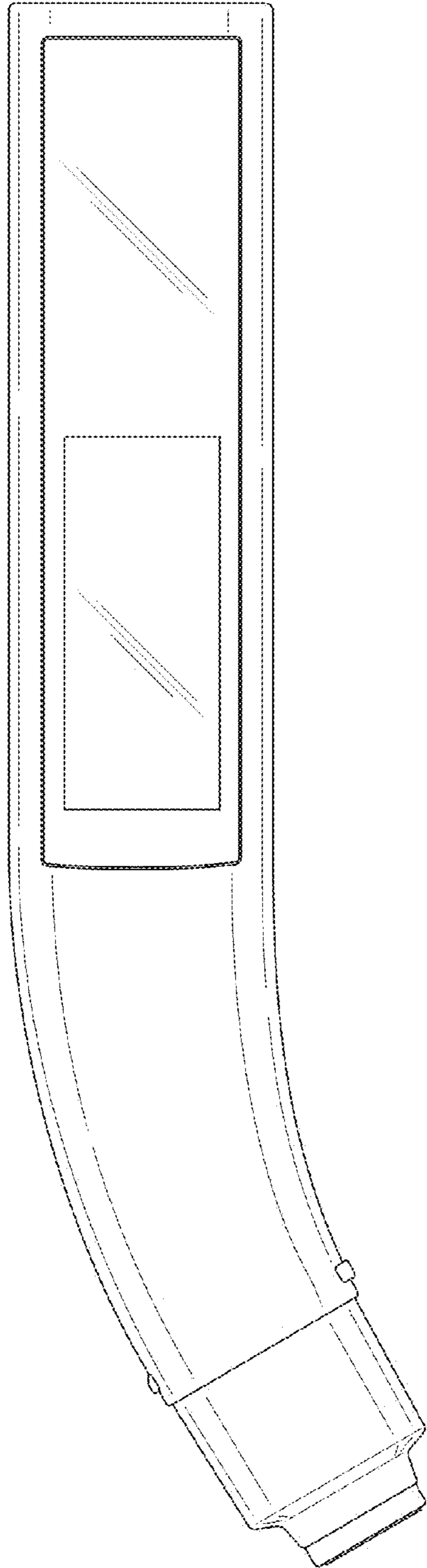


Fig. 3

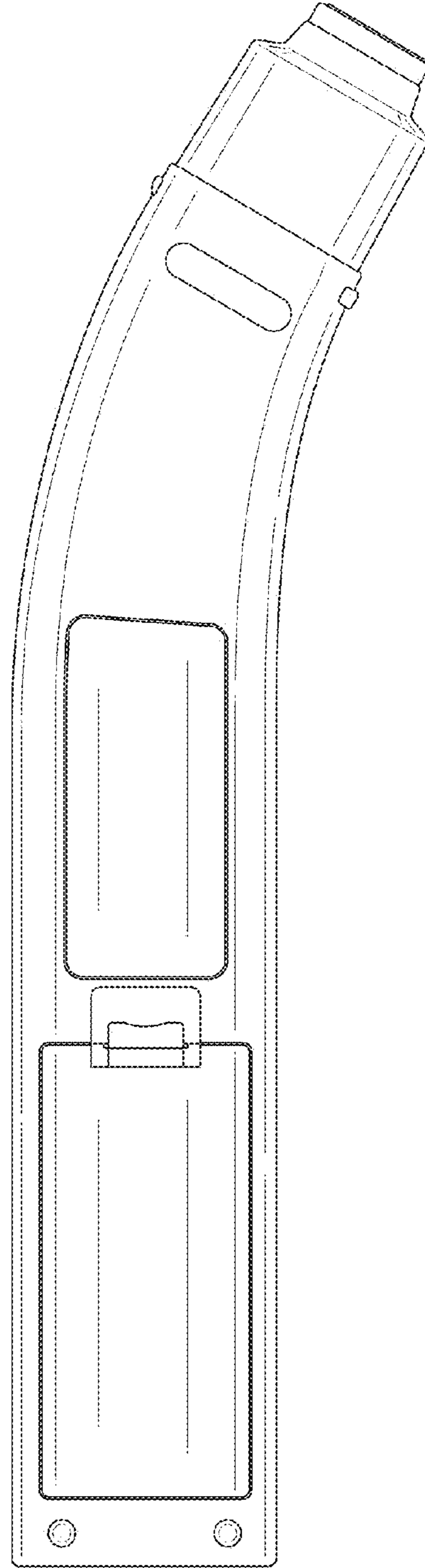


Fig. 4

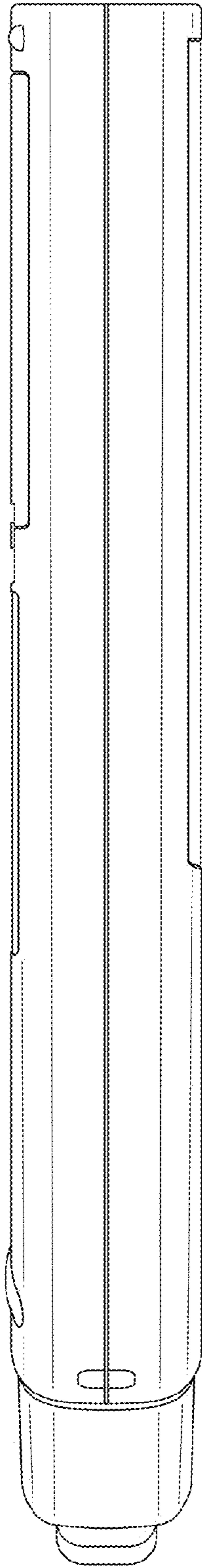


Fig. 5

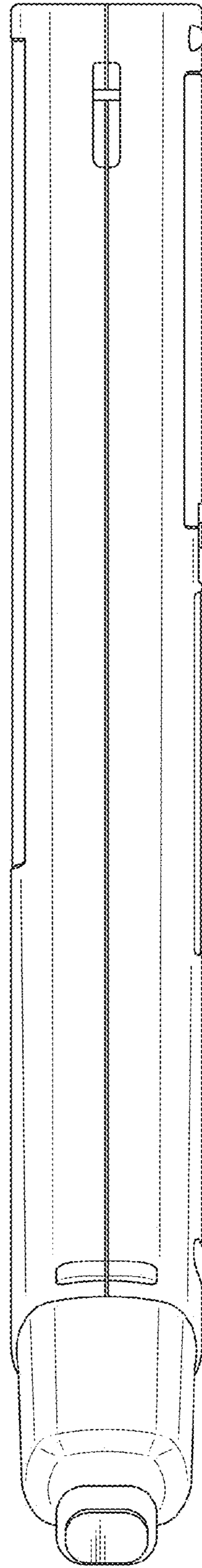


Fig. 7

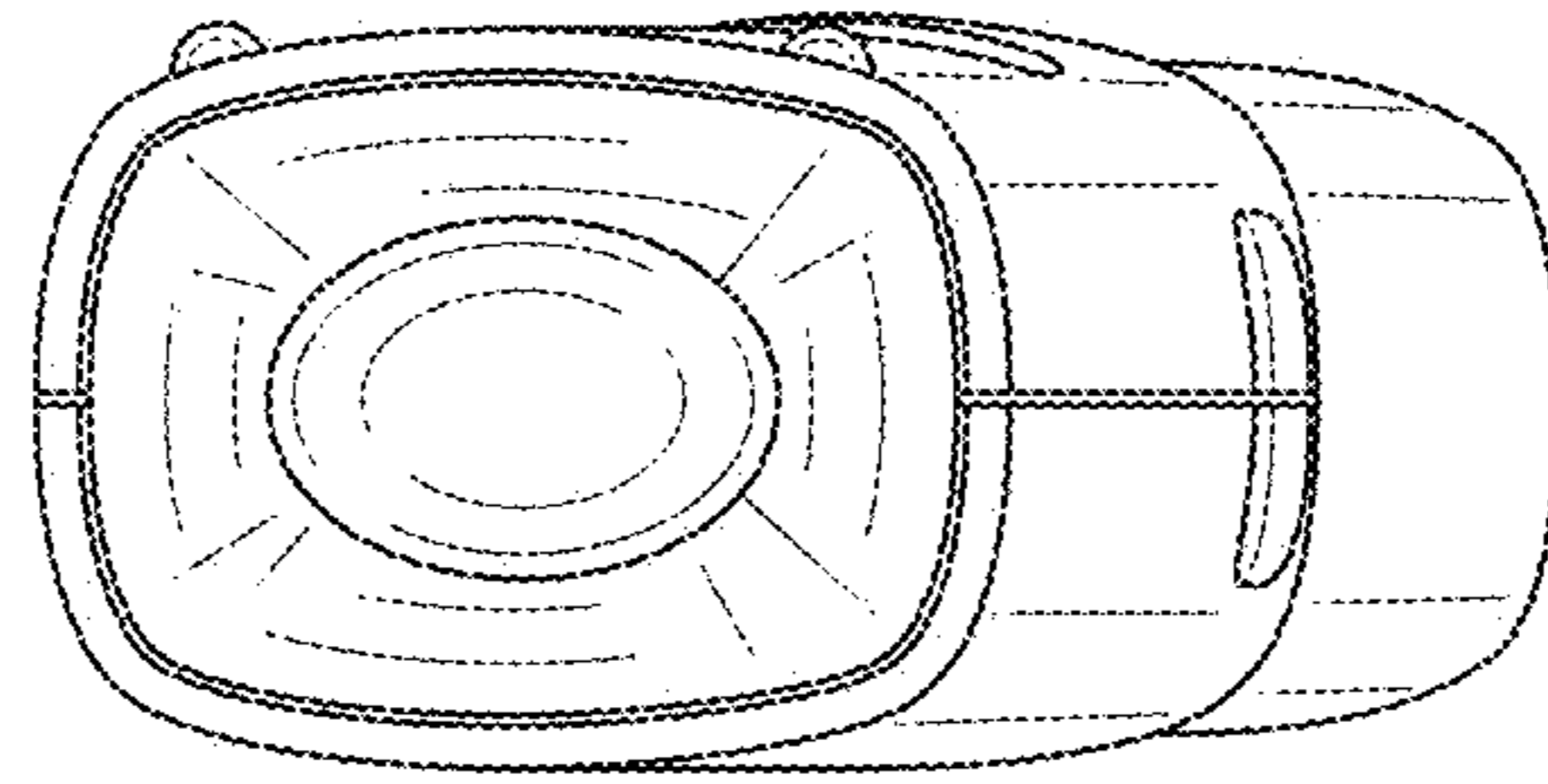
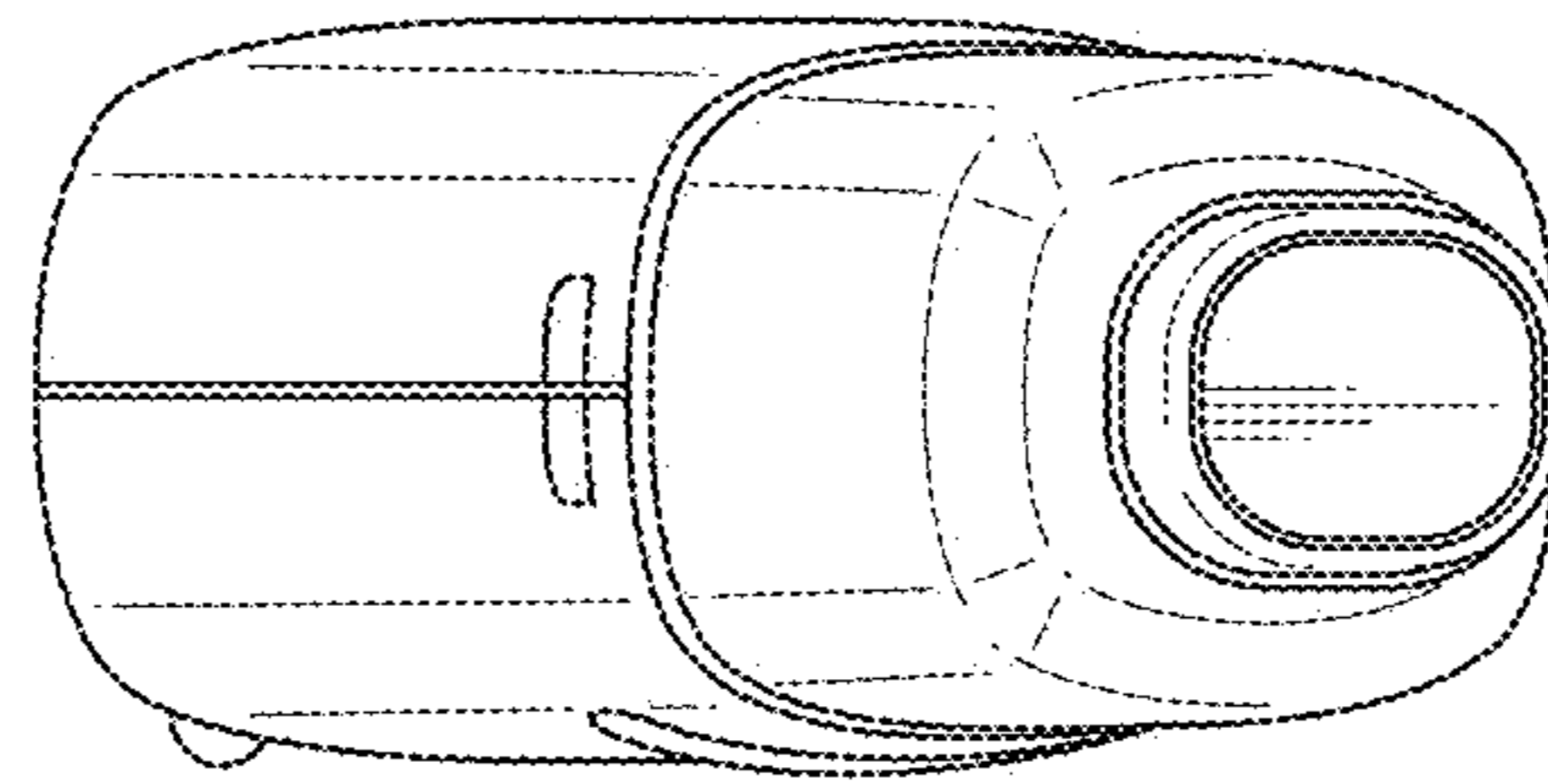


Fig. 6



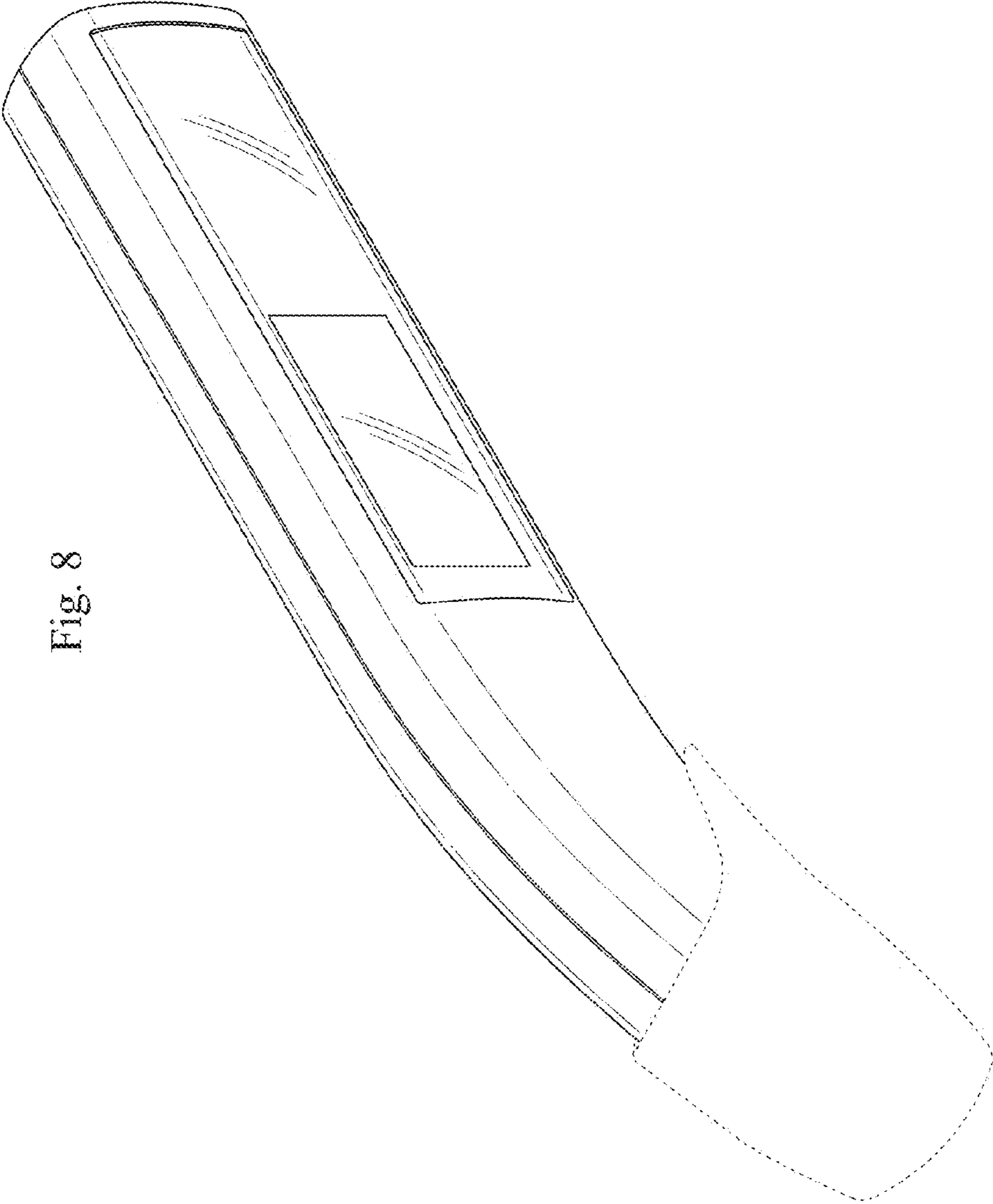


Fig. 8