



US00D760607S

(12) **United States Design Patent**
Anzalone et al.

(10) **Patent No.:** **US D760,607 S**
(45) **Date of Patent:** **** Jul. 5, 2016**

(54) **MEASURING CUP AND REMOVABLE SPOONS**

(71) Applicants: **Christopher Anzalone**, Eagle, ID (US);
Robert Kushner, Pok Fu Lam (HK)

(72) Inventors: **Christopher Anzalone**, Eagle, ID (US);
Robert Kushner, Pok Fu Lam (HK)

(73) Assignee: **URBAN Trend LLC**, Newport Beach,
CA (US)

(**) Term: **14 Years**

(21) Appl. No.: **29/474,618**

(22) Filed: **Nov. 28, 2014**

(51) **LOC (10) Cl.** **10-04**

(52) **U.S. Cl.**
USPC **D10/46.3**

(58) **Field of Classification Search**
USPC D10/46.2, 46.3, 46, 52, 60, 66, 101,
D10/103; D7/589, 300, 302, 303, 312, 316,
D7/317, 387, 397, 510, 665; D9/440, 447,
D9/452-454; D24/197, 224
CPC G01F 19/002; G01F 19/00; B65D 21/00;
A47G 19/00; A61J 7/00
See application file for complete search history.

(56) **References Cited**

U.S. PATENT DOCUMENTS

D243,500 S * 3/1977 Cooper D10/46.2
D465,386 S * 11/2002 Wang D7/665

D473,148 S * 4/2003 Kleckauskas D10/46.2
D548,114 S * 8/2007 Sawhney D10/46.2
D548,115 S * 8/2007 Sawhney D10/46.2
D553,437 S * 10/2007 Bodum D7/509
D560,816 S * 1/2008 Talmer D24/224
D580,798 S * 11/2008 Barber D10/46.2
D581,739 S * 12/2008 Bodum D7/509
D613,624 S * 4/2010 Bodum D10/46.2
D621,520 S * 8/2010 Talmer D24/224
D731,329 S * 6/2015 Joseph D10/46.2
2015/0160062 A1* 6/2015 Breit G01F 19/00
73/427
2015/0160064 A1* 6/2015 Kushner G01F 19/00
73/427

* cited by examiner

Primary Examiner — George D Kirschbaum
Assistant Examiner — Clese Moore, Jr.

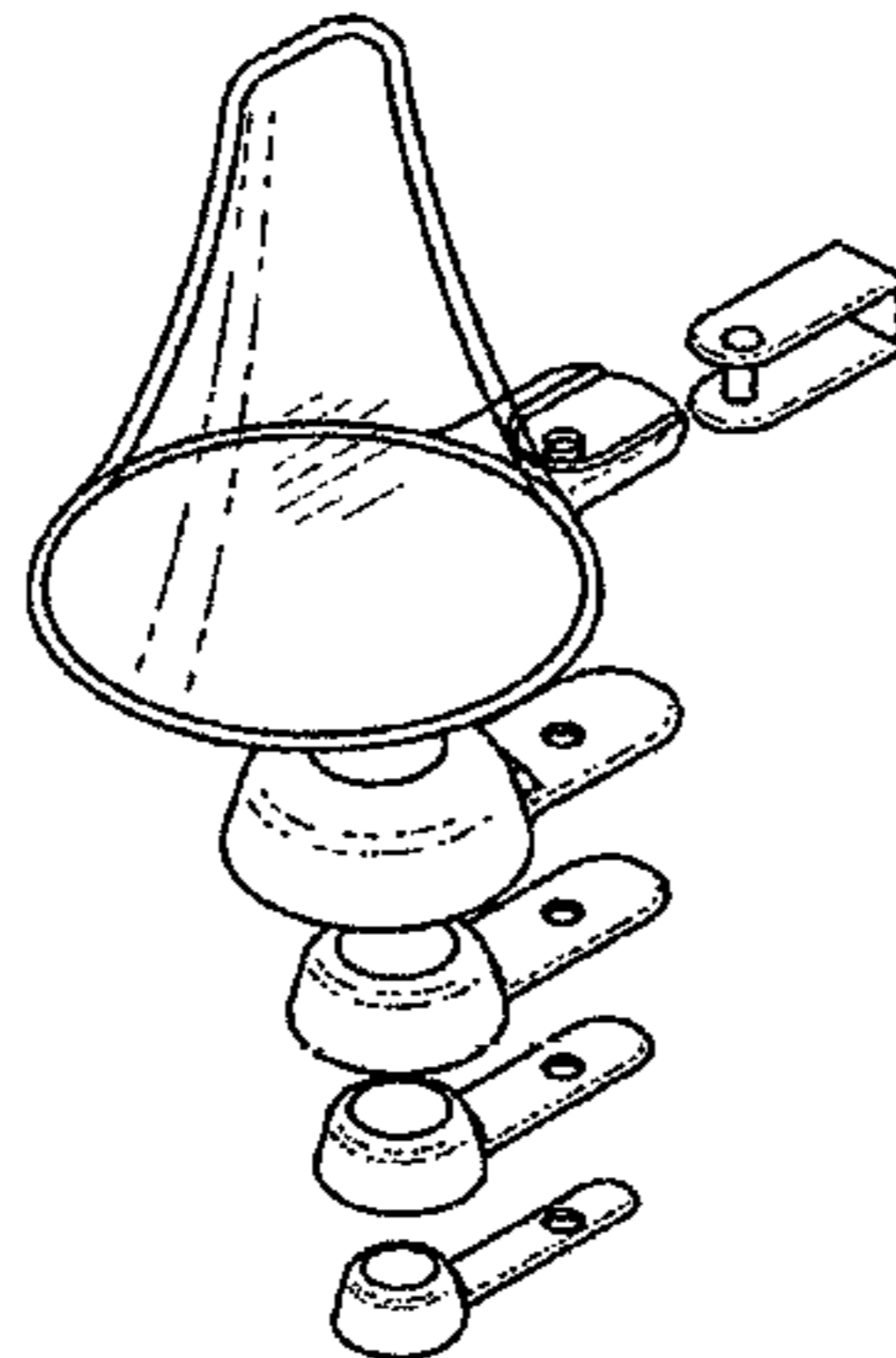
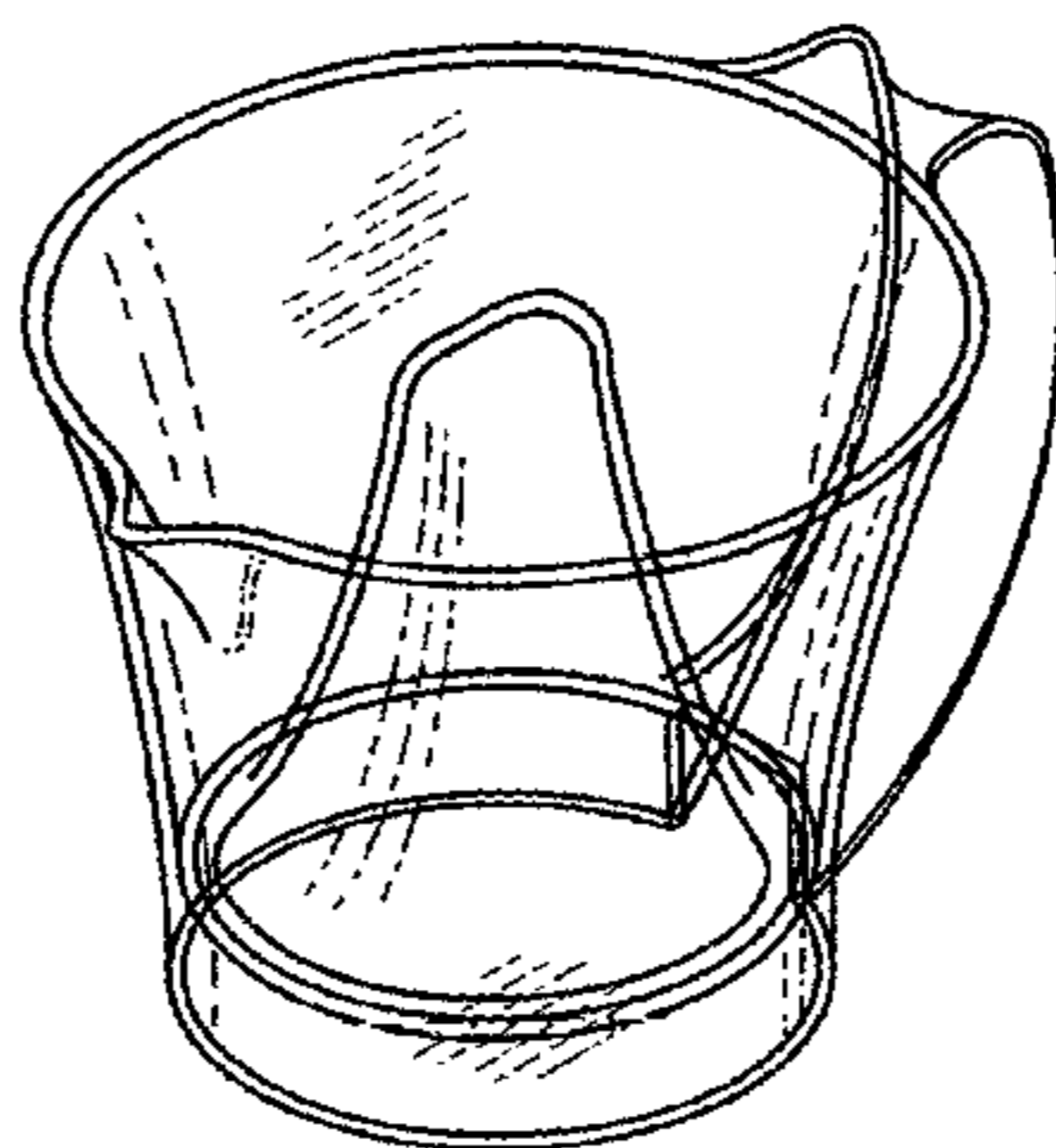
(57) **CLAIM**

The ornamental design for a measuring cup and removable spoons, as shown and described.

DESCRIPTION

FIG. 1 is an exploded view of the front, top and right side perspective view of a measuring cup and spoon of our new design;
FIG. 2 is a right side view of FIG. 1;
FIG. 3 is left side view of FIG. 1;
FIG. 4 is a front view of FIG. 1;
FIG. 5 is a top view of FIG. 1; and,
FIG. 6 is a bottom view of FIG. 1.

1 Claim, 4 Drawing Sheets



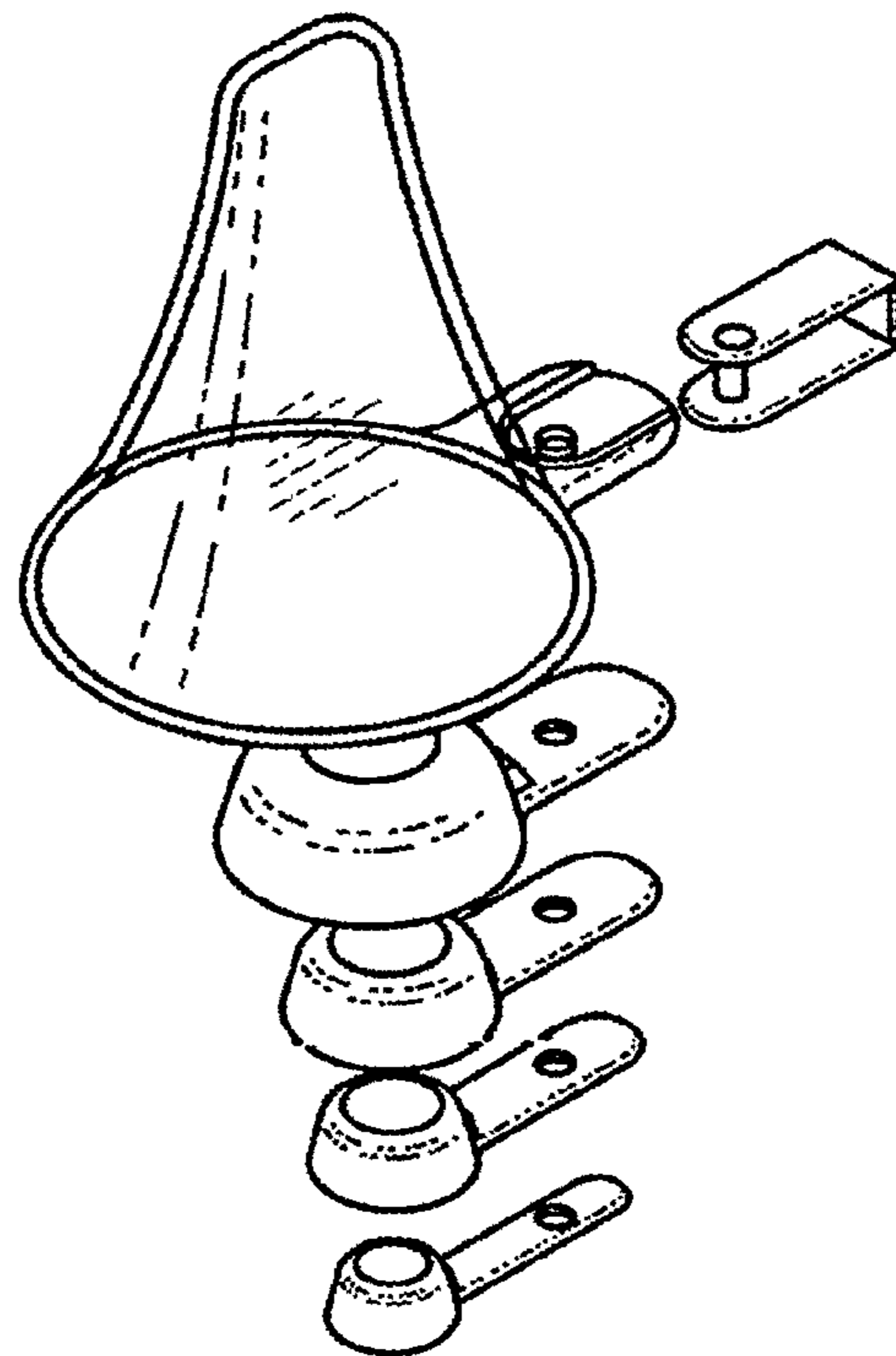
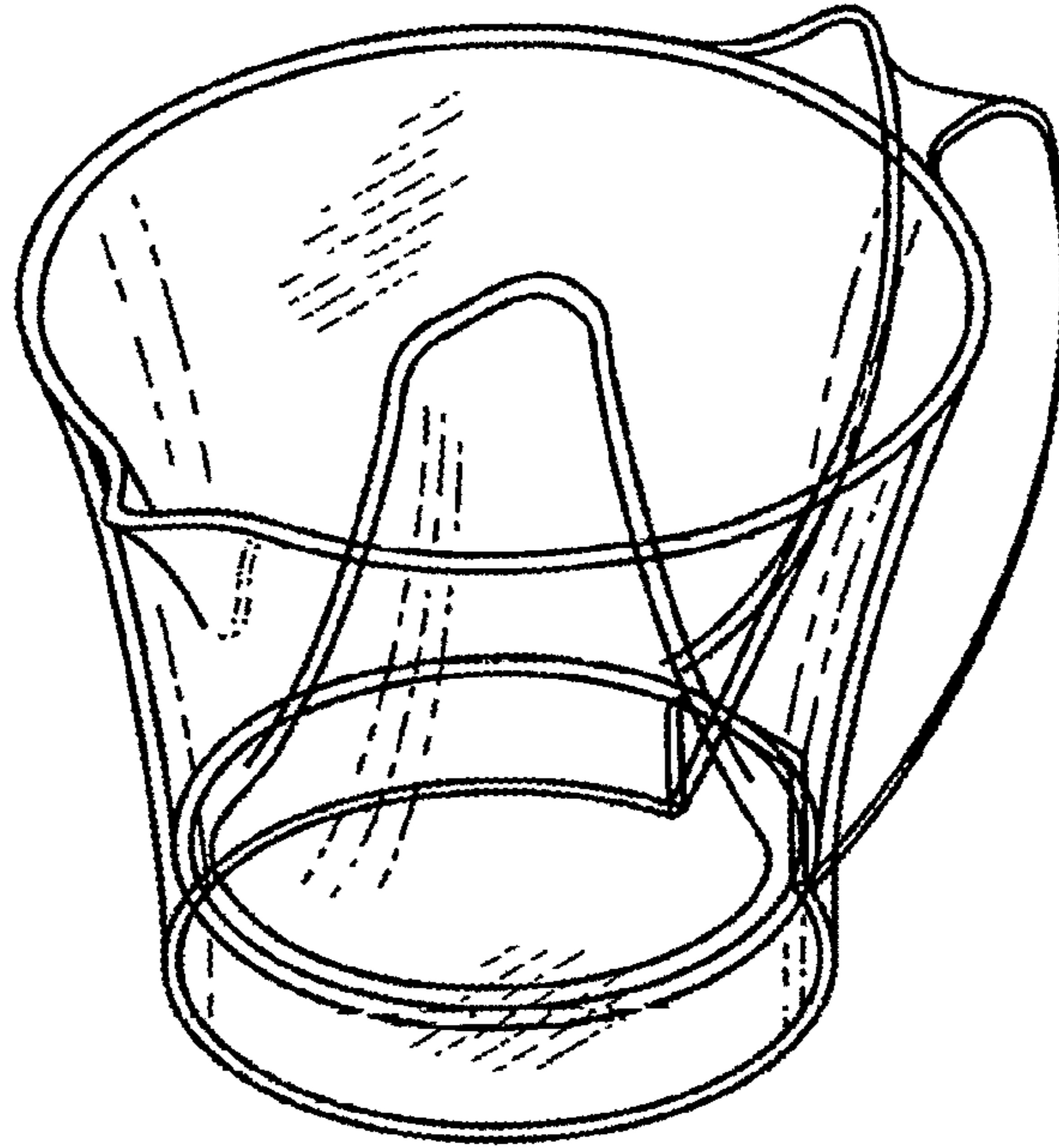


Fig. 1

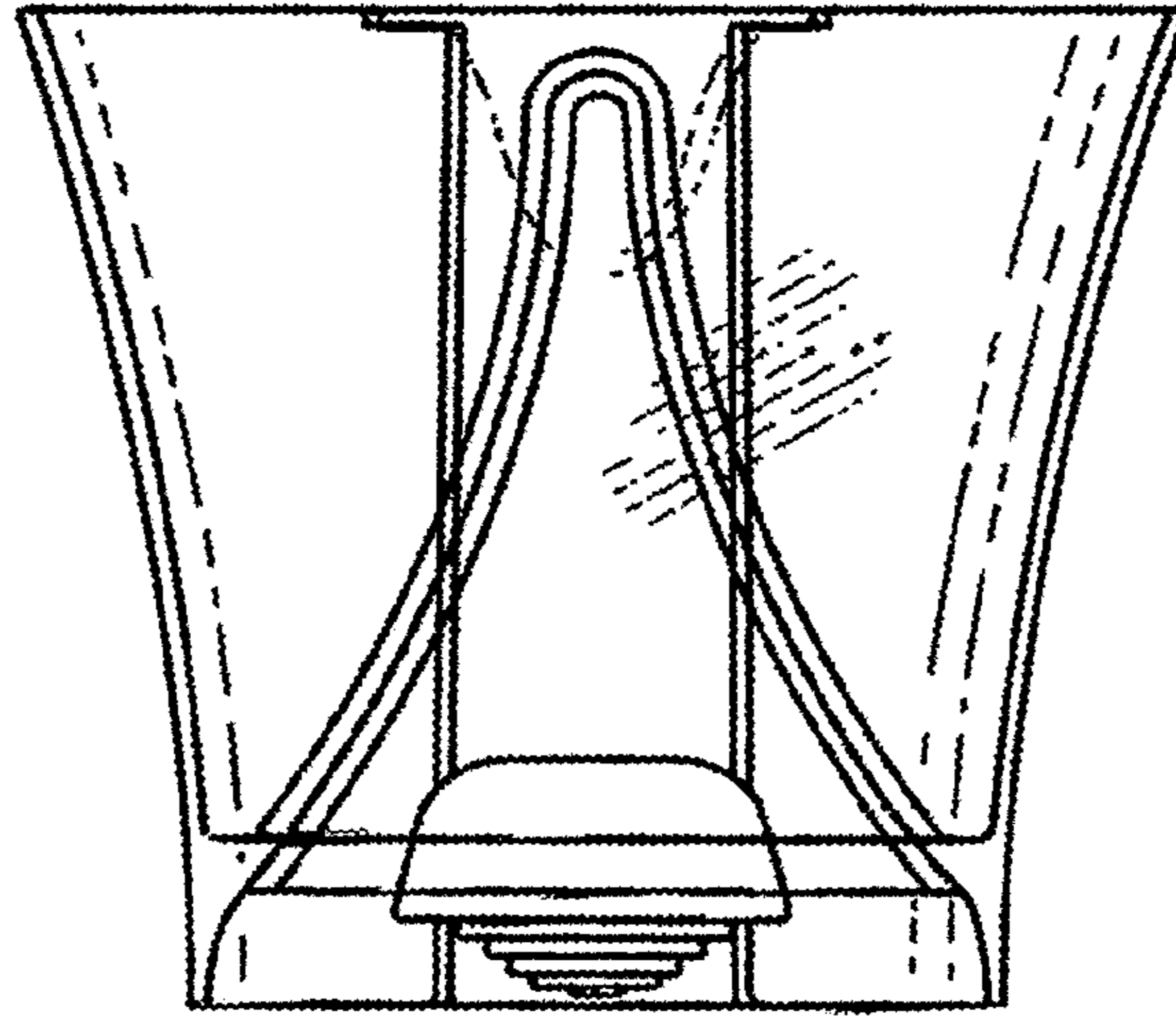


Fig. 2

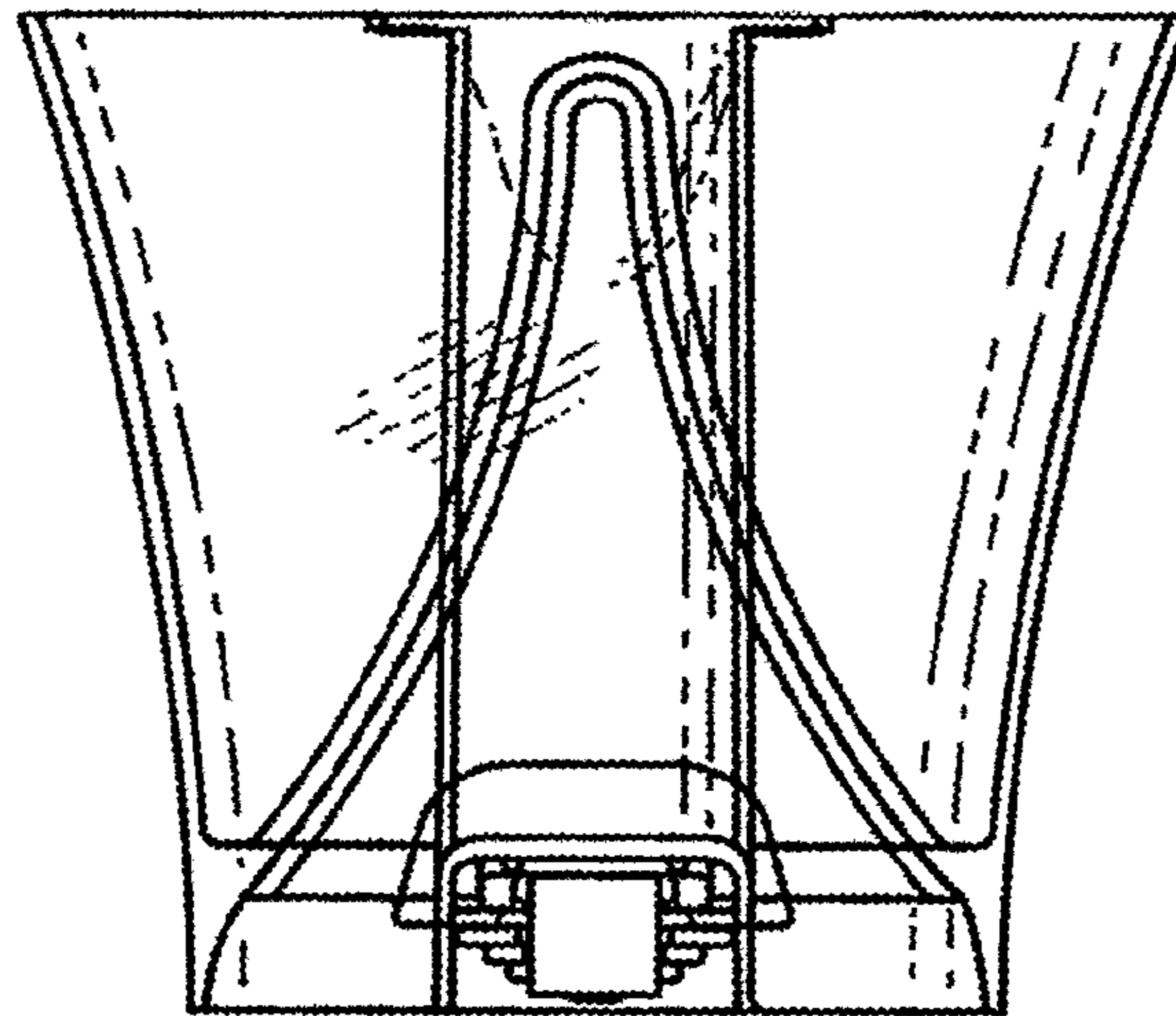


Fig. 3

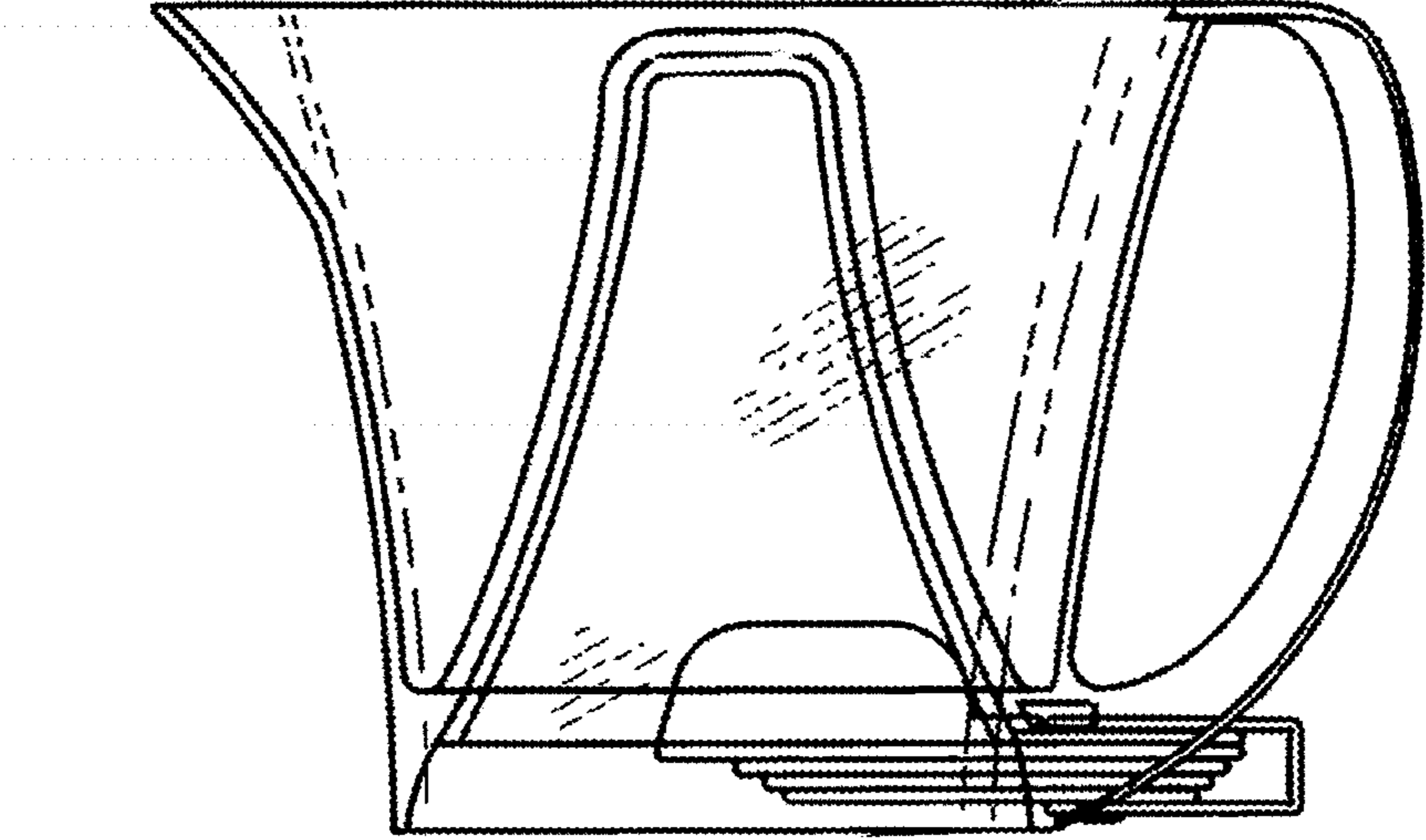


Fig. 4

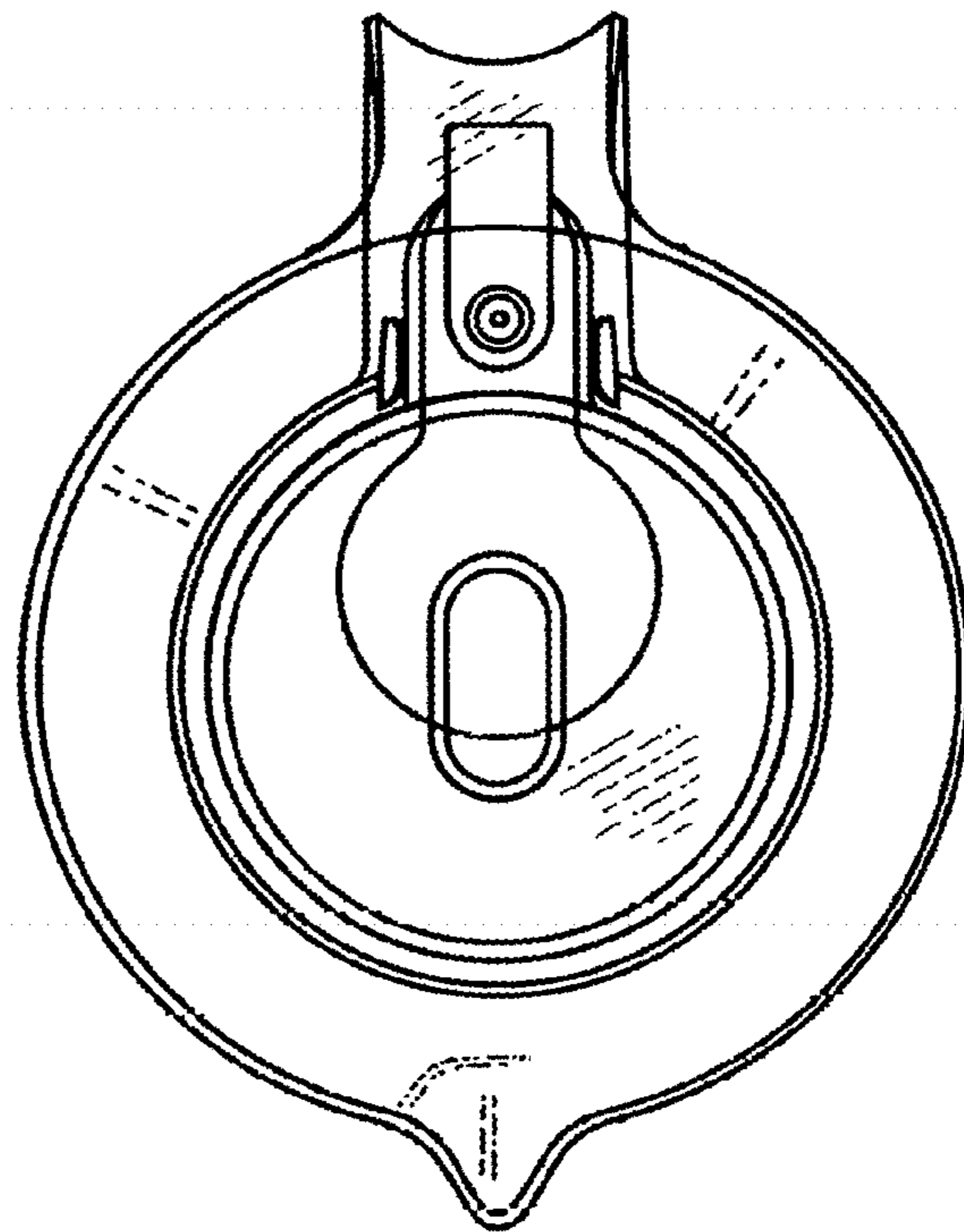


Fig. 5

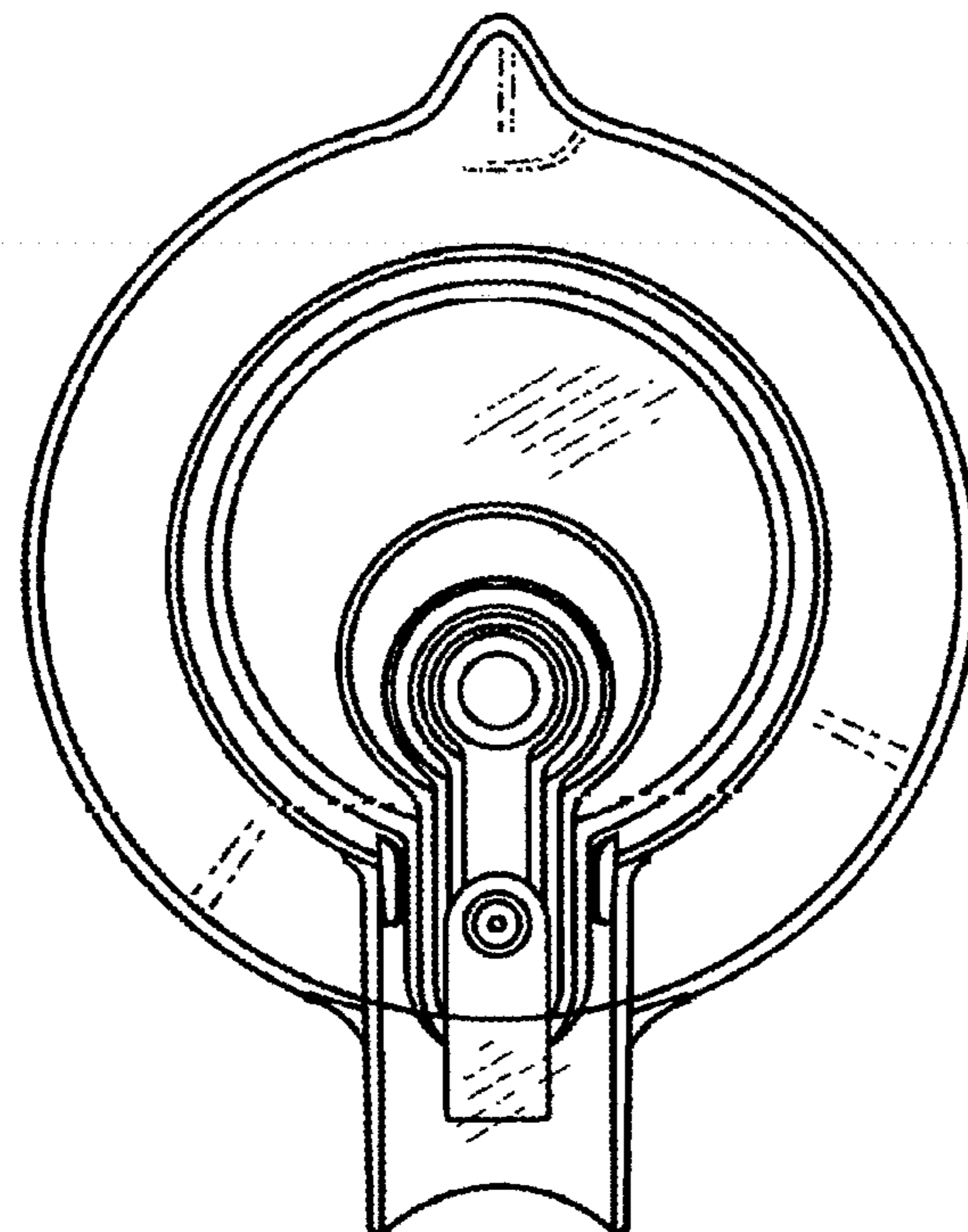


Fig. 6