



US00D760606S

(12) **United States Design Patent**
Bonadei et al.

(10) **Patent No.:** **US D760,606 S**
(45) **Date of Patent:** **** Jul. 5, 2016**

- (54) **WATCHCASE**
 - (71) Applicant: **SWATCH LTD**, Biel/Bienne (CH)
 - (72) Inventors: **Silvano Bonadei**, Delémont (CH);
Damien Goyet, Winkel (FR); **Raphaël Waecker**, Sonvilier (CH); **Christophe Barbier**, Lignières (CH)
 - (73) Assignee: **SWATCH LTD**, Biel/Bienne (CH)
 - (**) Term: **14 Years**
 - (21) Appl. No.: **29/518,175**
 - (22) Filed: **Feb. 20, 2015**
 - (51) **LOC (10) Cl.** **10-02**
 - (52) **U.S. Cl.**
USPC **D10/38**; D10/128
 - (58) **Field of Classification Search**
USPC D10/30-39, 1-29, 122-132
CPC G04B 19/00; G04B 19/18; G04B 19/283;
G04B 37/00; G04B 37/0008; G04B 37/0058;
G04B 37/1486; G04C 3/00; G04C 3/001;
G04G 9/00; G04G 9/06; G04G 17/00; G04G
17/08; G04G 17/083; G04G 99/00; G04G
99/006
- See application file for complete search history.

(56) **References Cited**

U.S. PATENT DOCUMENTS

D331,884 S *	12/1992	Wunderman	D10/32
5,455,808 A *	10/1995	Grupp	G04G 9/06 368/228
D380,392 S *	7/1997	Kennedy	D10/30
5,668,781 A *	9/1997	Jeannet	G04C 17/0066 368/28
5,696,741 A *	12/1997	Nussbaum	G04G 17/00 368/276
D405,017 S *	2/1999	Hysek	D10/32
D413,815 S *	9/1999	Hysek	D10/30
D450,599 S *	11/2001	Blauner	D10/30
D455,082 S *	4/2002	Kubo	D10/32
D457,818 S *	5/2002	Avranches	D10/39

D476,906 S *	7/2003	Nussbaum	D10/30
6,590,835 B2 *	7/2003	Farine	G04G 17/083 368/10
6,809,993 B1 *	10/2004	Muller	G04G 99/00 368/238
6,874,931 B2 *	4/2005	Noirjean	A44C 5/0007 368/204
6,982,930 B1 *	1/2006	Hung	A61B 5/02438 368/10
D537,740 S *	3/2007	Grosjean	D10/38
D551,991 S *	10/2007	Ohki	D10/32
D559,125 S *	1/2008	Figueiredo	D10/38
D559,126 S *	1/2008	Avranches	D10/38
D636,685 S *	4/2011	Avranches	D10/38
8,235,587 B2 *	8/2012	Hiranuma	G04B 3/043 368/295
D692,777 S *	11/2013	Goyet	D10/38
D700,072 S *	2/2014	Arellano	D10/38

OTHER PUBLICATIONS

U.S. Appl. No. 29/518,463, filed Feb. 24, 2015 for Watchcase first named inventor Silvano Bonadei.
U.S. Appl. No. 29/518,466, filed Feb. 24, 2015 for Watchcase first named inventor Silvano Bonadei.

* cited by examiner

Primary Examiner — Martie K Holtje
(74) *Attorney, Agent, or Firm* — Donald J. Ranft; Kristen A. Mogavero; Collen IP

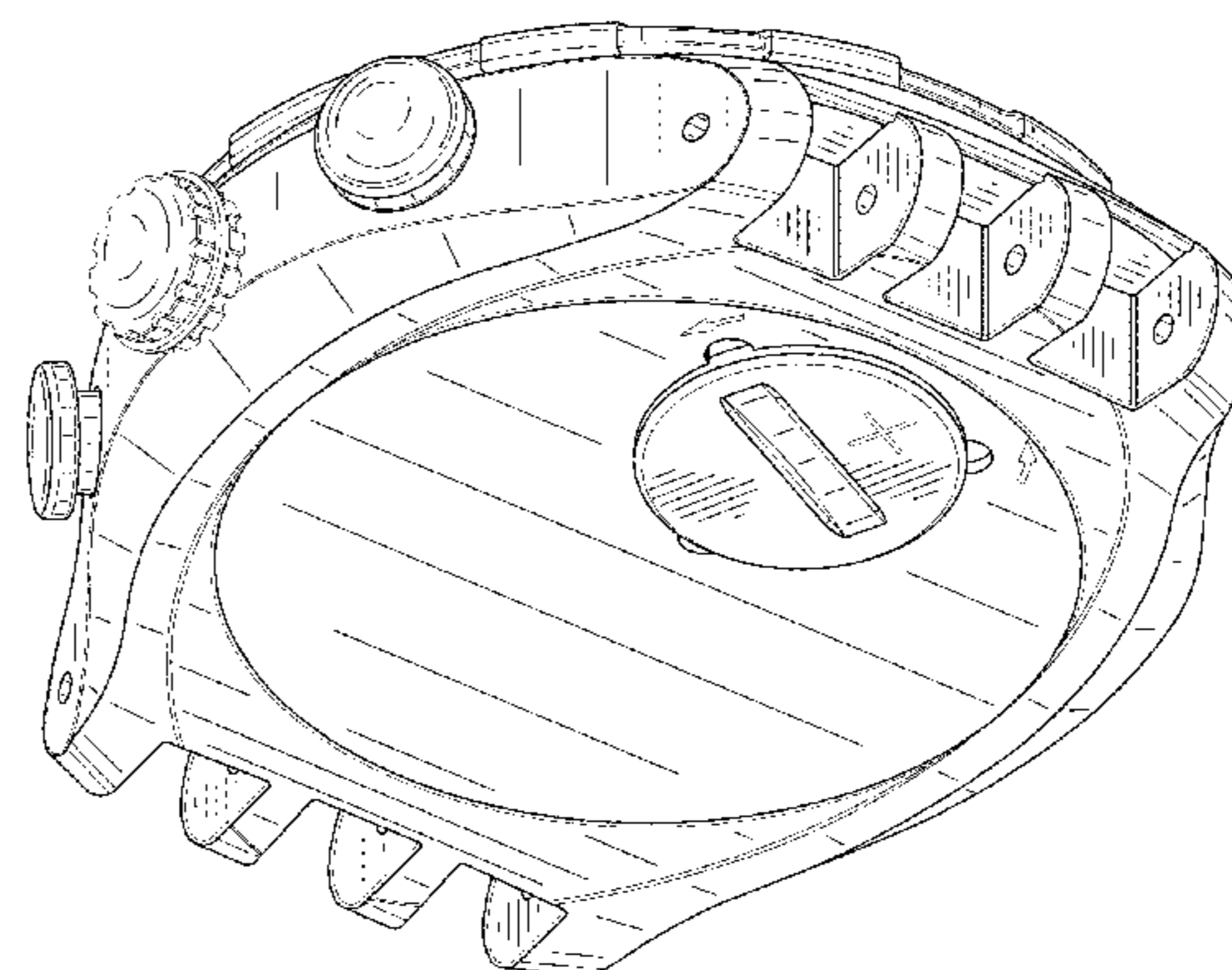
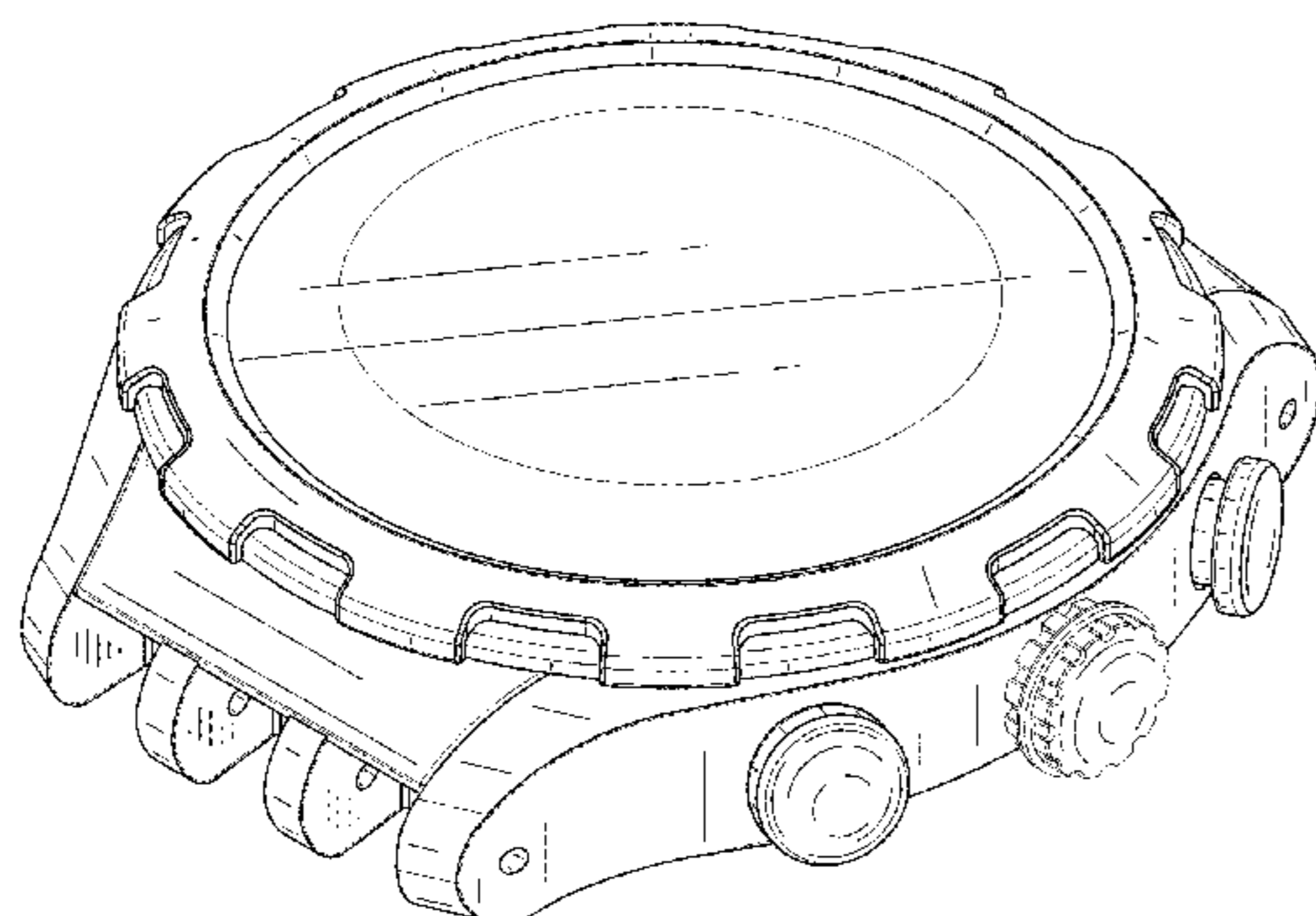
(57) **CLAIM**

The ornamental design for a watchcase, as shown.

DESCRIPTION

FIG. 1 is a front right perspective view of a watchcase showing our new design;
FIG. 2 is a rear right perspective view thereof;
FIG. 3 is a front view thereof;
FIG. 4 is a rear view thereof;
FIG. 5 is a left side view thereof;
FIG. 6 is a right side view thereof;
FIG. 7 is a bottom view thereof; and,
FIG. 8 is a top view thereof.

1 Claim, 6 Drawing Sheets



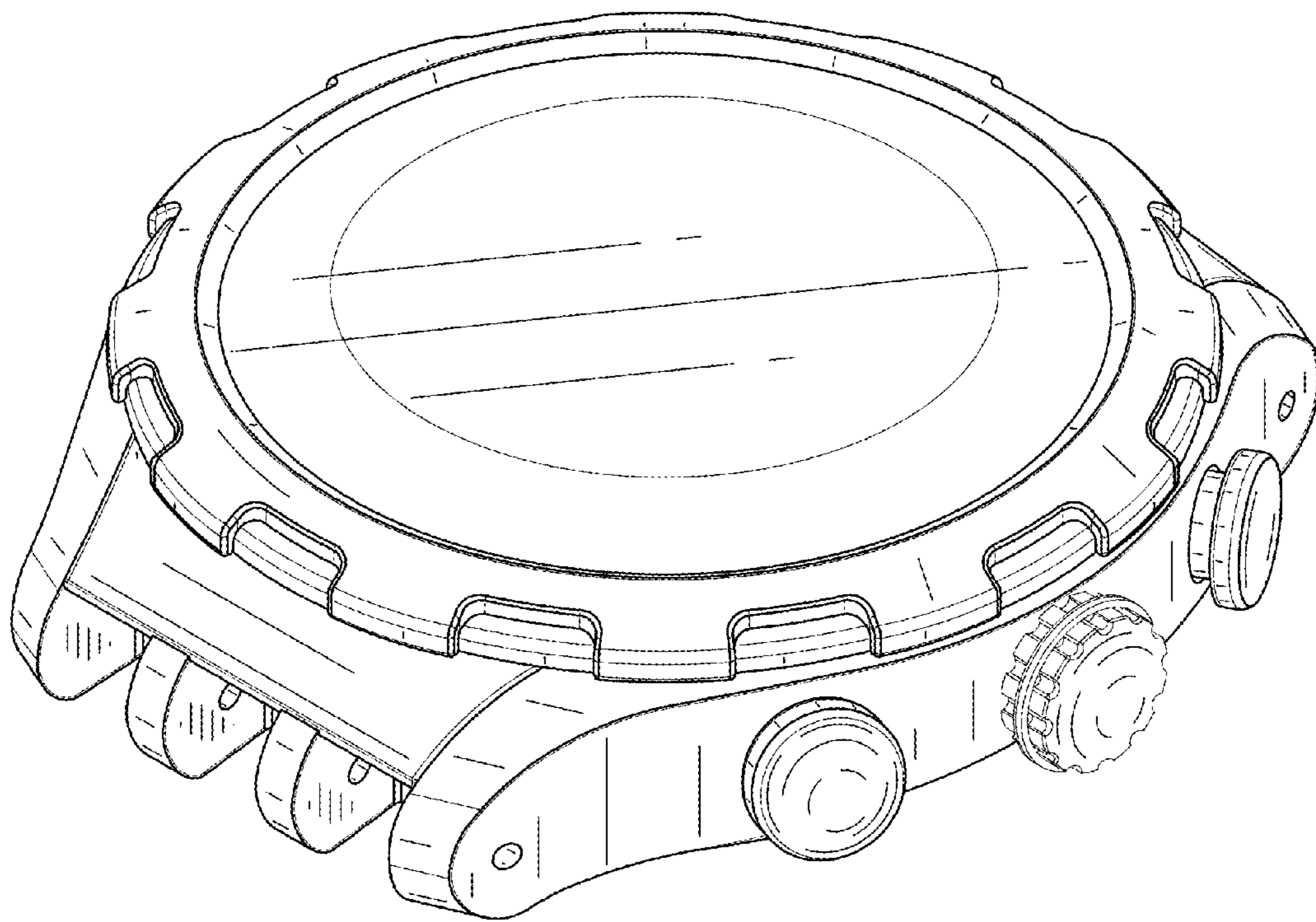


FIG. 1

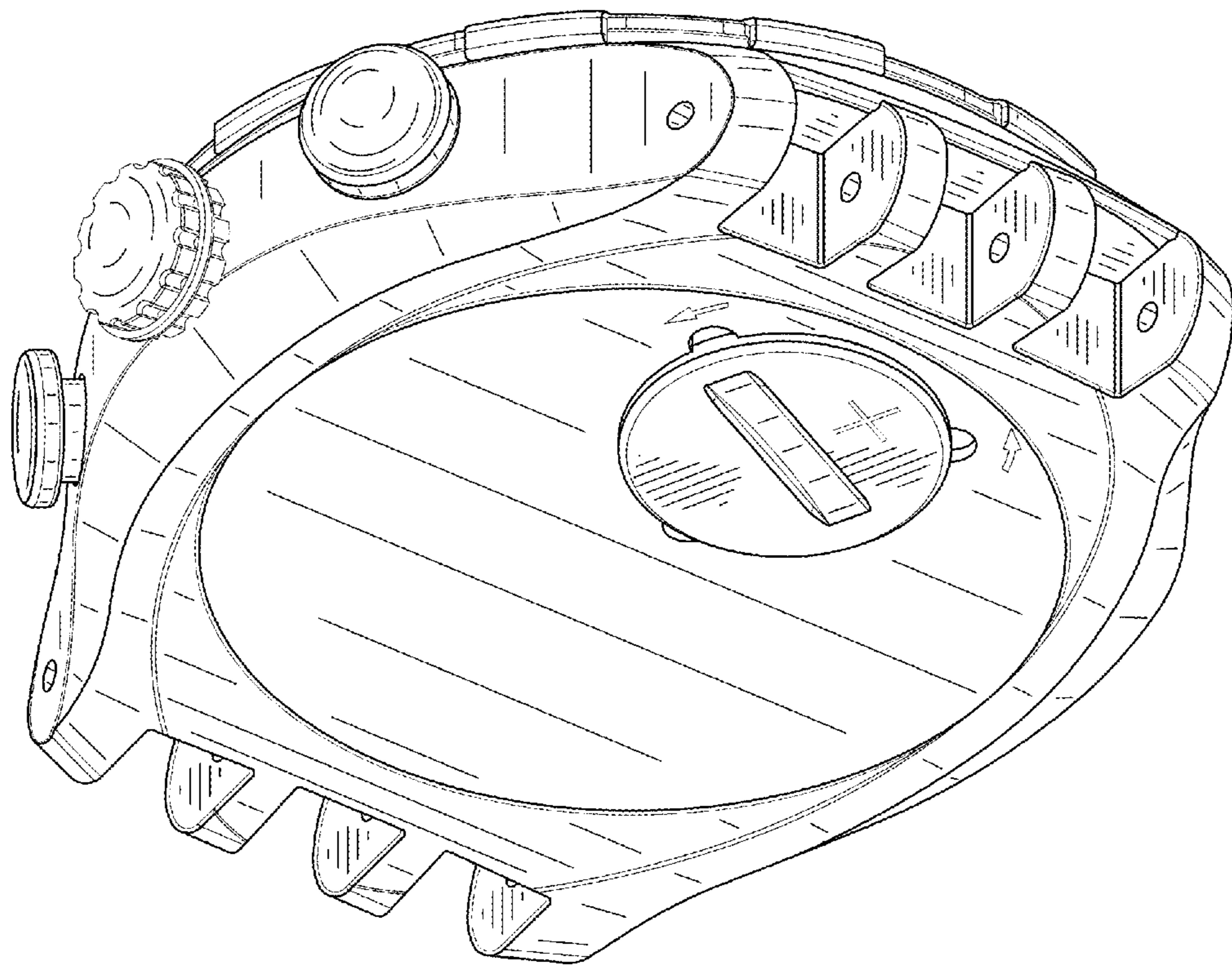


FIG. 2

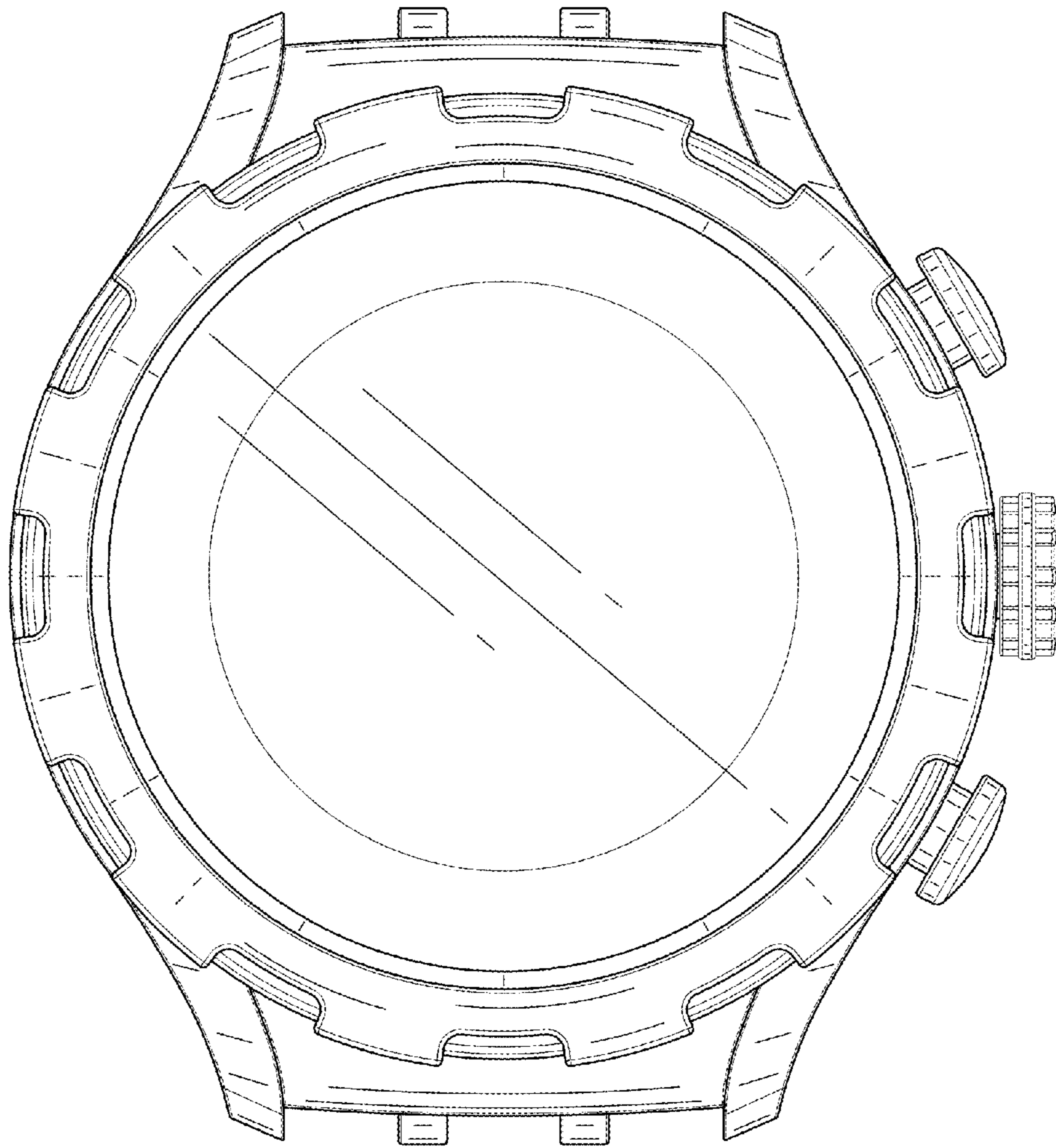


FIG. 3

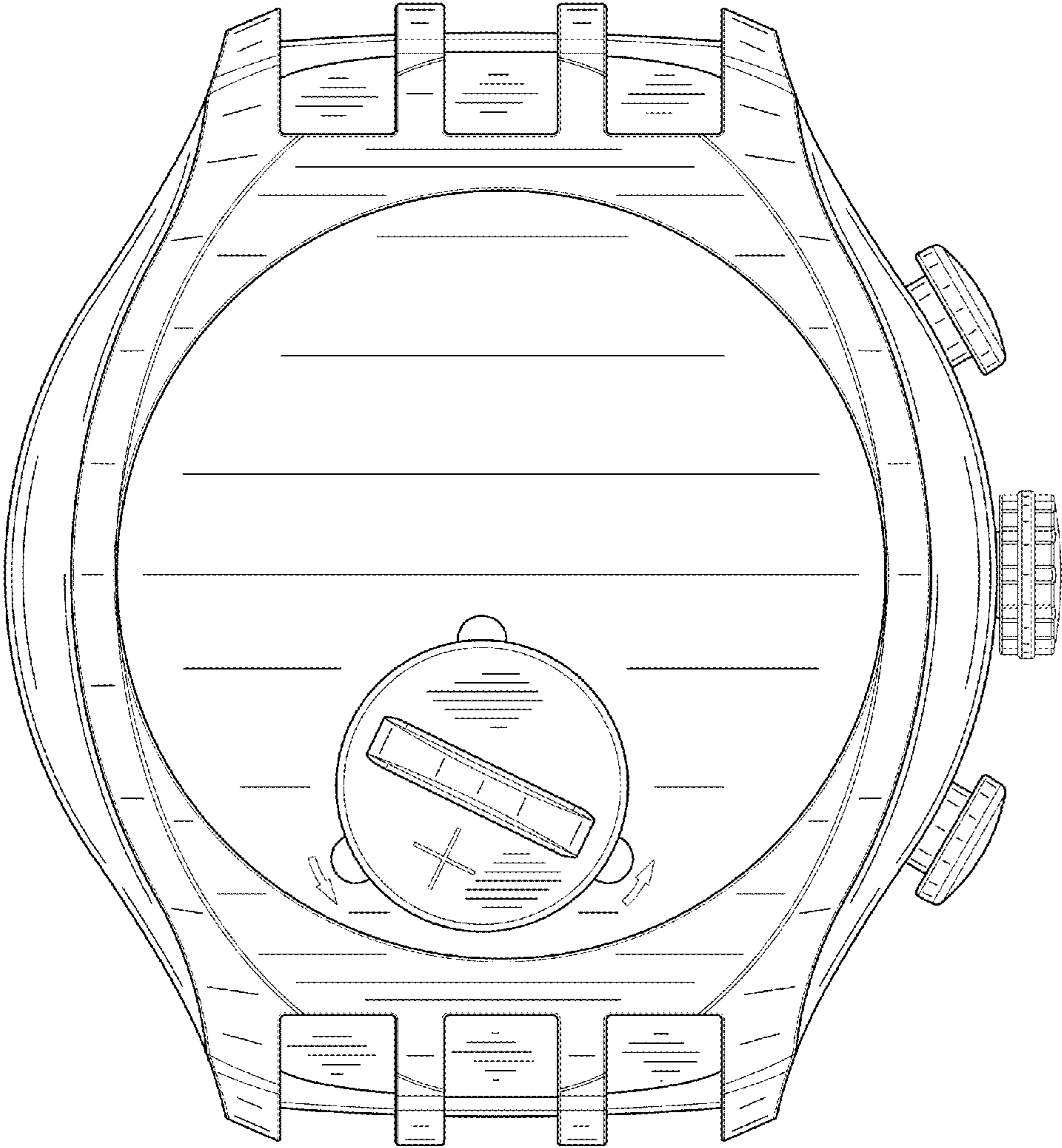


FIG. 4

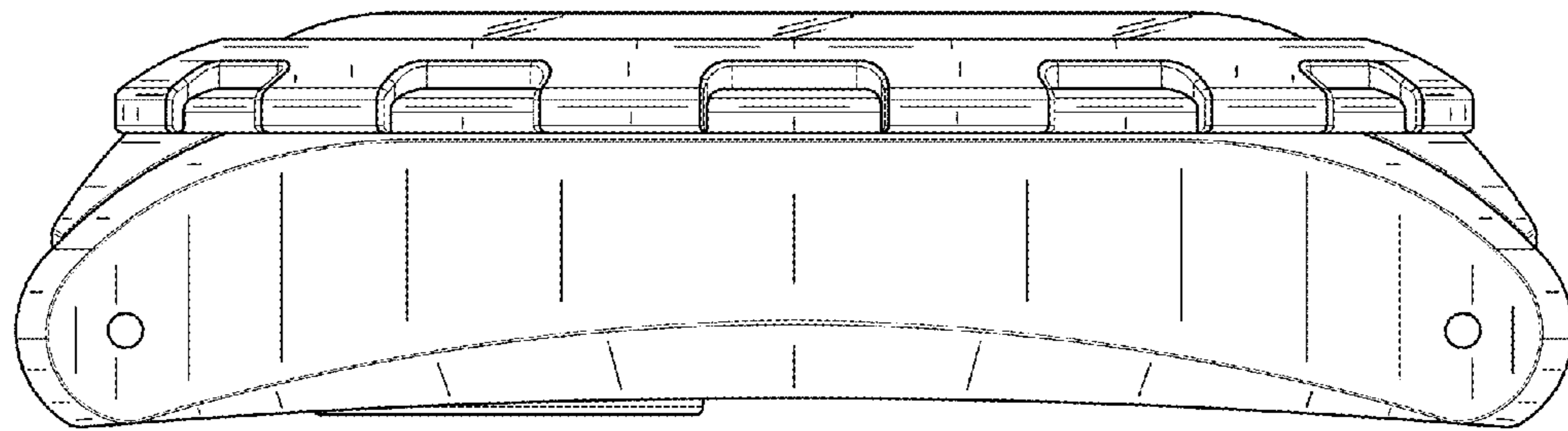


FIG. 5

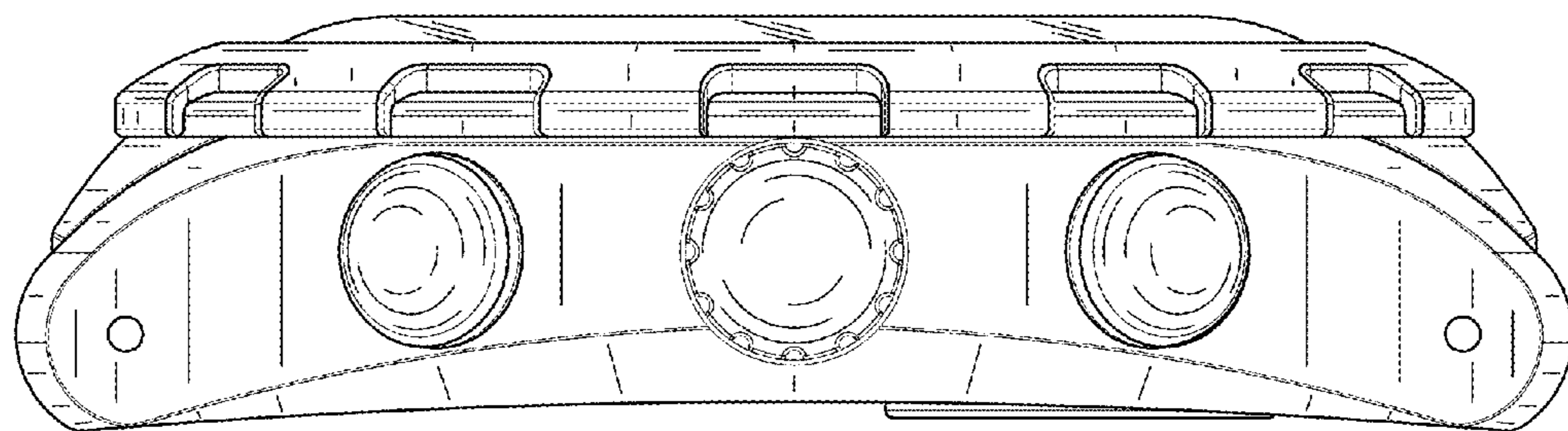


FIG. 6

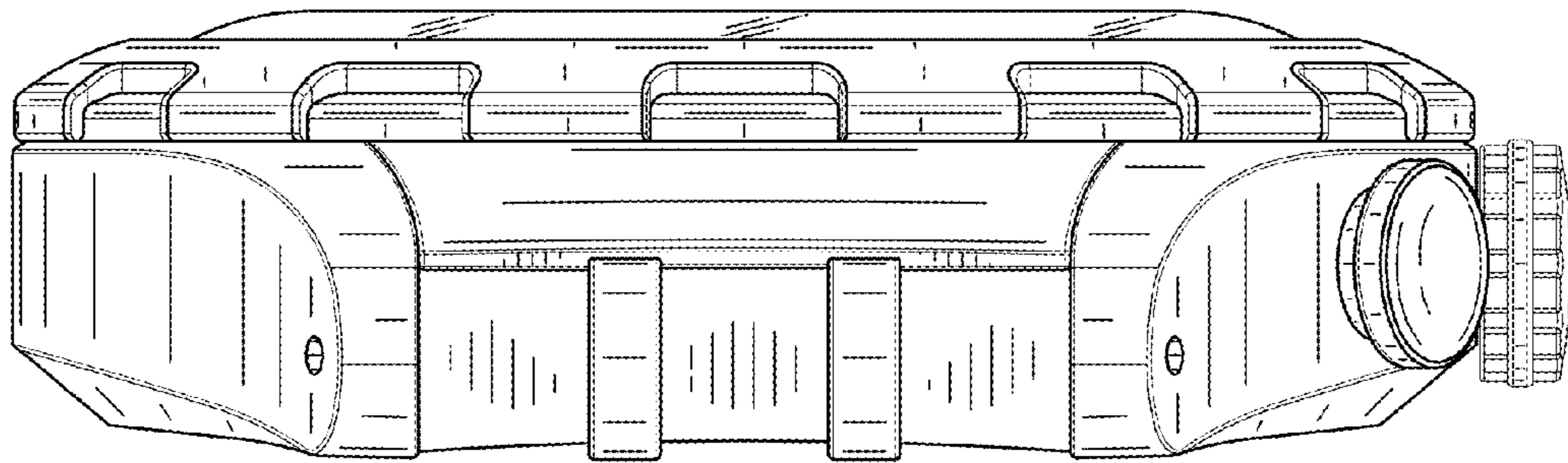


FIG. 7

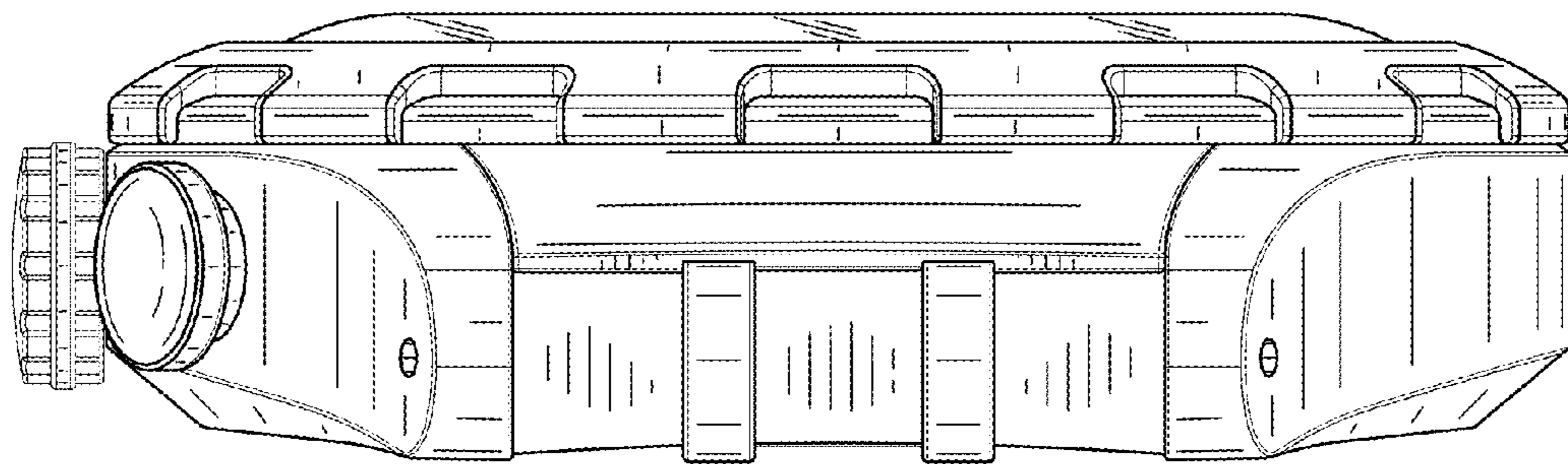


FIG. 8