



US00D760605S

(12) **United States Design Patent**  
**Koutsolioutsos**

(10) **Patent No.:** **US D760,605 S**

(45) **Date of Patent:** **\*\* Jul. 5, 2016**

(54) **WATCH**

(71) Applicant: **FOLLI-FOLLIE COMMERCIAL  
MANUFACTURING AND  
TECHNICAL SOCIETE ANONYME,**  
Athens (GR)

(72) Inventor: **Dimitrios Koutsolioutsos,** Athens (GR)

(73) Assignee: **FOLLI-FOLLIE COMMERCIAL  
MANUFACTURING AND  
TECHNICAL SOCIETE ANONYME,**  
Athens (GR)

(\*\*) Term: **14 Years**

(21) Appl. No.: **29/482,522**

(22) Filed: **Feb. 19, 2014**

(51) **LOC (10) Cl.** ..... **10-02**

(52) **U.S. Cl.**  
USPC ..... **D10/38; D10/126**

(58) **Field of Classification Search**  
USPC ..... D10/30-39, 1-29, 122-132  
CPC ..... G04B 19/00; G04B 19/04; G04B 19/044;  
G04B 19/10; G04B 37/00; G04B 37/0008;  
G04B 37/0058; G04B 45/00; G04B 45/0069;  
G04B 45/0076; G04B 45/0084  
See application file for complete search history.

(56) **References Cited**

**U.S. PATENT DOCUMENTS**

D220,050 S \* 3/1971 Yannich ..... D10/124  
D237,063 S \* 10/1975 Kelman ..... D10/123

D302,664 S \* 8/1989 Dawson, Jr. .... D10/38  
D312,580 S \* 12/1990 Fong ..... D10/32  
D323,792 S \* 2/1992 Scotti ..... D11/84  
D324,825 S \* 3/1992 Besson ..... D10/30  
D326,419 S \* 5/1992 Bulgari ..... D10/39  
5,319,615 A \* 6/1994 Ng ..... 368/276  
D373,957 S \* 9/1996 Mareschal ..... D10/30  
D377,613 S \* 1/1997 Consolo ..... D10/32  
D470,069 S \* 2/2003 Weiss ..... D10/126  
6,826,120 B1 \* 11/2004 Decker et al. .... 368/10  
D509,447 S \* 9/2005 Scheufele ..... D10/39  
D560,513 S \* 1/2008 Glassman ..... D10/39  
D627,249 S \* 11/2010 Dias ..... D10/129  
D657,707 S \* 4/2012 Koutsolioutsos ..... D11/56  
D658,083 S \* 4/2012 Ghirardi et al. .... D11/1  
D690,615 S \* 10/2013 Koutsolioutsos ..... D10/128

\* cited by examiner

*Primary Examiner* — Martie K Holtje

(74) *Attorney, Agent, or Firm* — Fredrikson & Byron P.A.

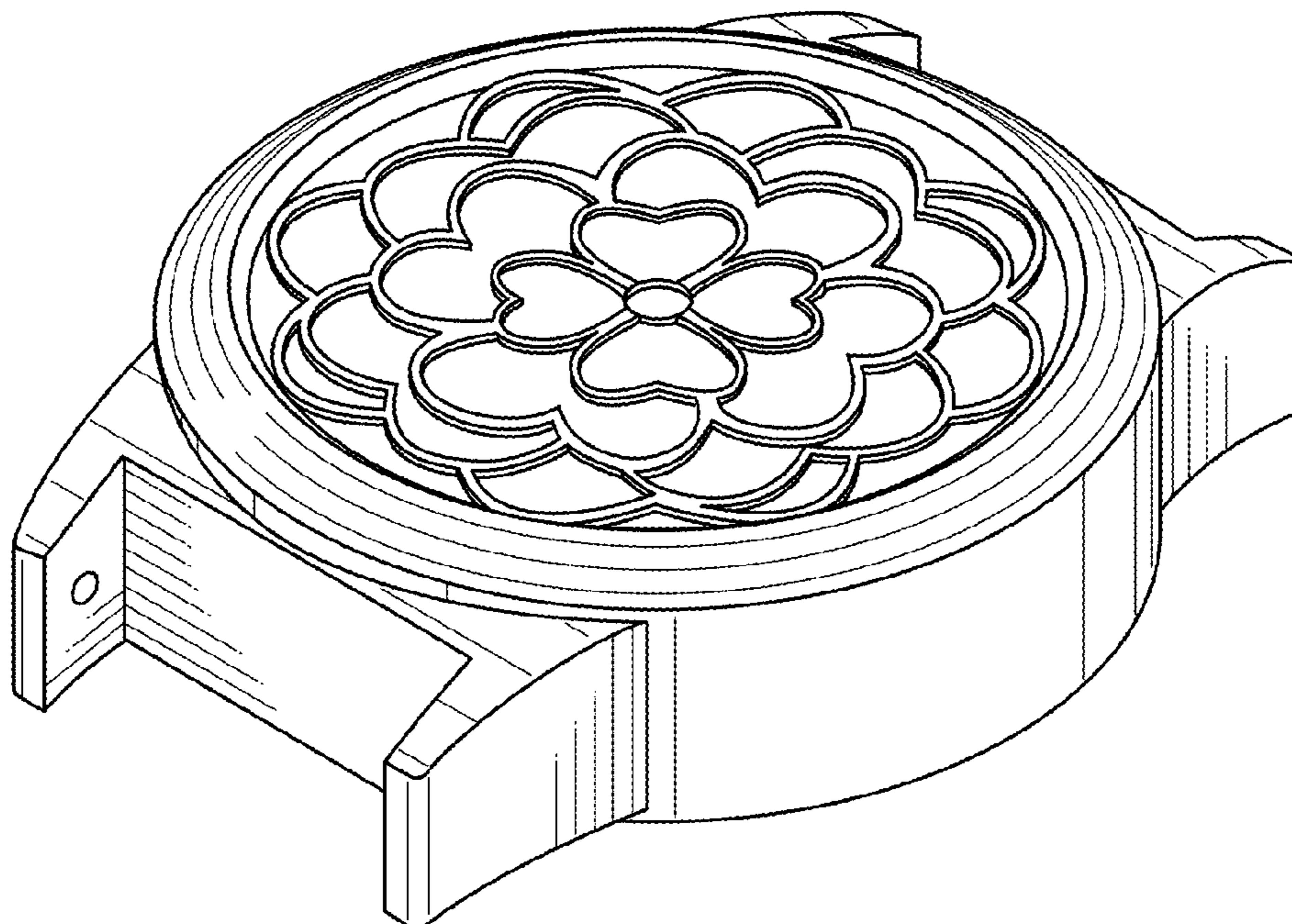
(57) **CLAIM**

I claim the ornamental design for a watch, as shown and described.

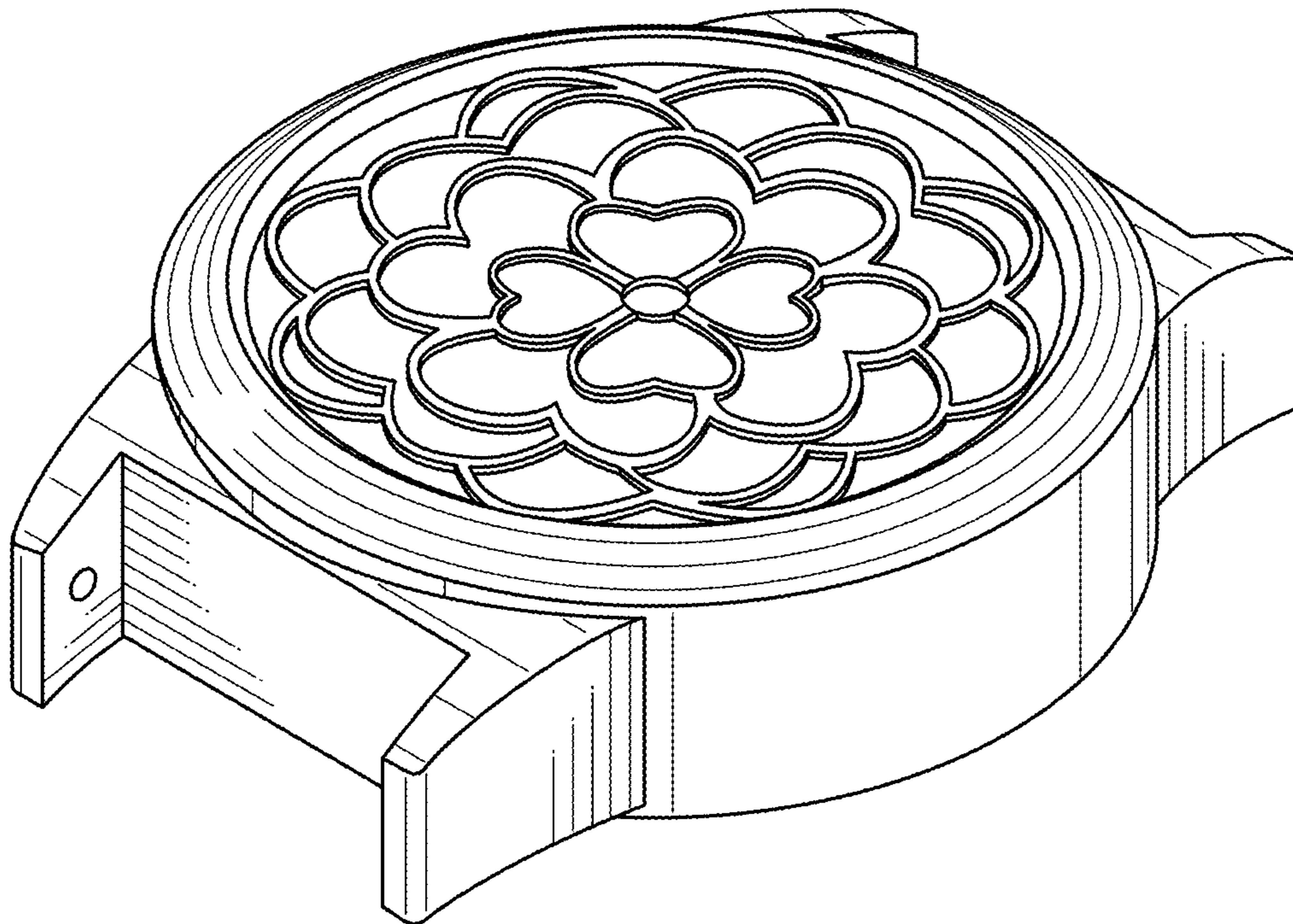
**DESCRIPTION**

FIG. 1 is a perspective view of a watch incorporating my new design;  
FIG. 2 is a front elevational view thereof,  
FIG. 3 is a rear elevational view thereof;  
FIG. 4 is a top plan view thereof, the bottom plan view is a mirror image thereof;  
FIG. 5 is a right side view thereof; and,  
FIG. 6 is a left side view thereof.

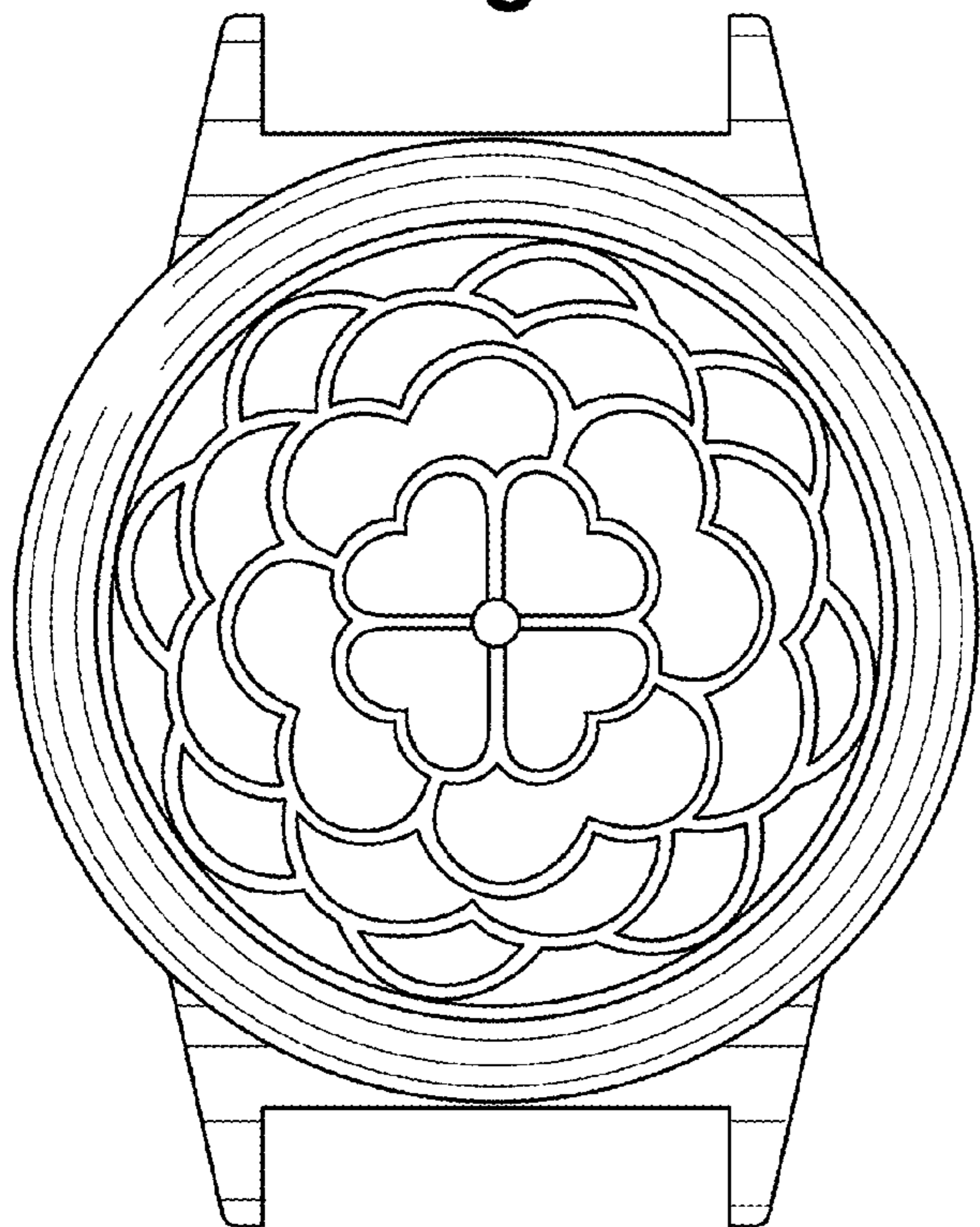
**1 Claim, 3 Drawing Sheets**



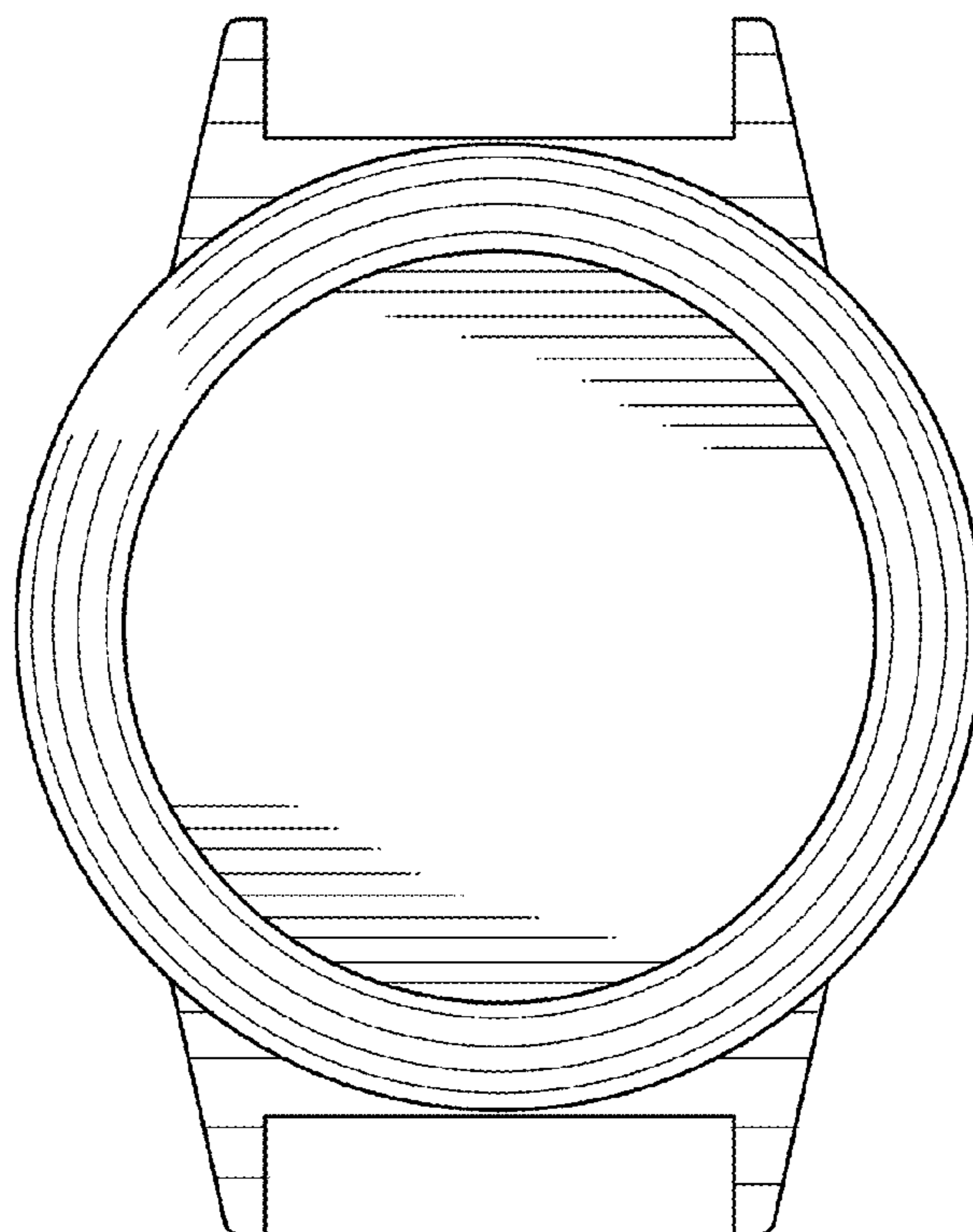
**Fig. 1**



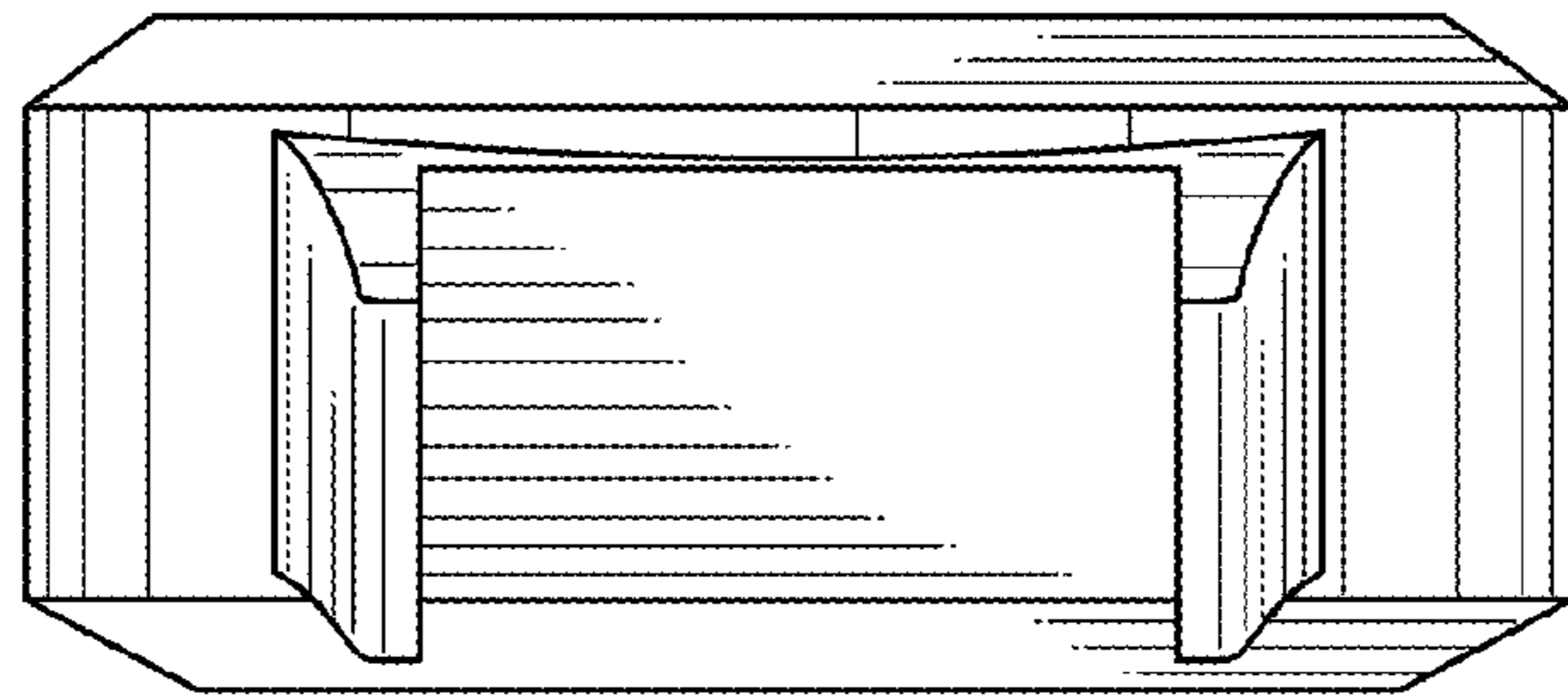
**Fig. 2**



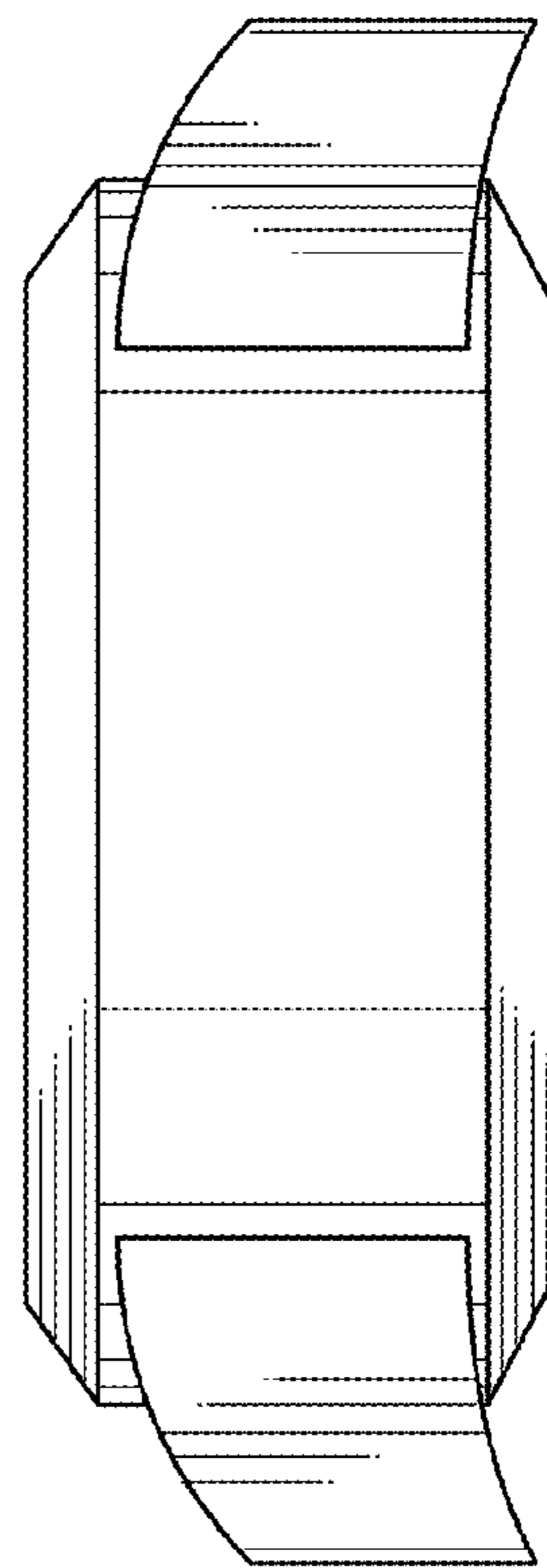
**Fig. 3**



**Fig. 4**



**Fig. 5**



**Fig. 6**

