

US00D760604S

(12) **United States Design Patent**  
**Duport**

(10) **Patent No.:** **US D760,604 S**  
(45) **Date of Patent:** **\*\* Jul. 5, 2016**

- (54) **WRISTWATCH**
- (71) Applicant: **RADO WATCH CO. LTD.**, Lengnau (CH)
- (72) Inventor: **Fabrice Duport**, Neuchâtel (CH)
- (73) Assignee: **RADO WATCH CO. LTD.**, Lengnau (CH)
- (\*\*) Term: **15 Years**
- (21) Appl. No.: **29/530,453**
- (22) Filed: **Jun. 17, 2015**

D401,866 S *	12/1998	Pandel	.....	D10/30
D405,711 S *	2/1999	Feuvrier	.....	D11/19
D460,000 S *	7/2002	Glauser	.....	D10/32
D481,642 S *	11/2003	Journe	.....	D10/126
7,134,783 B2 *	11/2006	Schmiedchen	.....	G04B 27/04 368/190
D548,625 S *	8/2007	Schoepfer	.....	D10/2
D615,883 S *	5/2010	Laucella	.....	D10/39
D633,812 S *	3/2011	Yurman	.....	D10/32
D669,372 S *	10/2012	Laucella	.....	D10/39
D672,664 S *	12/2012	Monachon	.....	D10/32
D680,886 S *	4/2013	Chiang	.....	D10/39
D717,179 S *	11/2014	Sasaki	.....	D10/32
D727,177 S *	4/2015	Abdourahim	.....	D10/39
2003/0189875 A1 *	10/2003	Wilmouth	.....	G04B 19/268 368/17

\* cited by examiner

- (30) **Foreign Application Priority Data**  
Dec. 17, 2014 (WO) ..... DM/085208
- (51) **LOC (10) Cl.** ..... **10-02**
- (52) **U.S. Cl.**  
USPC ..... **D10/32; D10/39; D10/126; D11/3**
- (58) **Field of Classification Search**  
USPC ..... D10/30-39, 1-29, 122-132; D11/3, 25  
CPC ..... G04B 19/00; G04B 19/06; G04B 19/065;  
G04B 19/08; G04B 19/10; G04B 19/24;  
G04B 19/26; G04B 19/268; G04B 27/00;  
G04B 27/04; G04B 37/00; G04B 37/0008;  
G04B 37/0058; G04B 37/1486; G04B 45/00;  
G04B 45/0069; G04B 47/00; G04B 47/06;  
A44C 5/00; A44C 5/02; A44C 5/027; A44C  
5/107; A44C 5/18; A44C 5/185  
See application file for complete search history.

*Primary Examiner* — Martie K Holtje  
(74) *Attorney, Agent, or Firm* — Donald J. Ranft; Kristen A. Mogavero; Collen IP

- (56) **References Cited**  
U.S. PATENT DOCUMENTS  
3,570,239 A \* 3/1971 Charles ..... G04B 47/06  
250/484.3  
D325,883 S \* 5/1992 St. Dizier ..... D11/19

(57) **CLAIM**  
The ornamental design for a wristwatch, as shown.

**DESCRIPTION**

FIG. 1 is a front right perspective view of a wristwatch showing my new design;  
FIG. 2 is a front left perspective view thereof;  
FIG. 3 is a rear left perspective view thereof;  
FIG. 4 is a rear right perspective view thereof;  
FIG. 5 is a front view thereof;  
FIG. 6 is a rear view thereof;  
FIG. 7 is a left side view thereof;  
FIG. 8 is a right side view thereof;  
FIG. 9 is a bottom view thereof; and,  
FIG. 10 is a top view thereof.

**1 Claim, 10 Drawing Sheets**



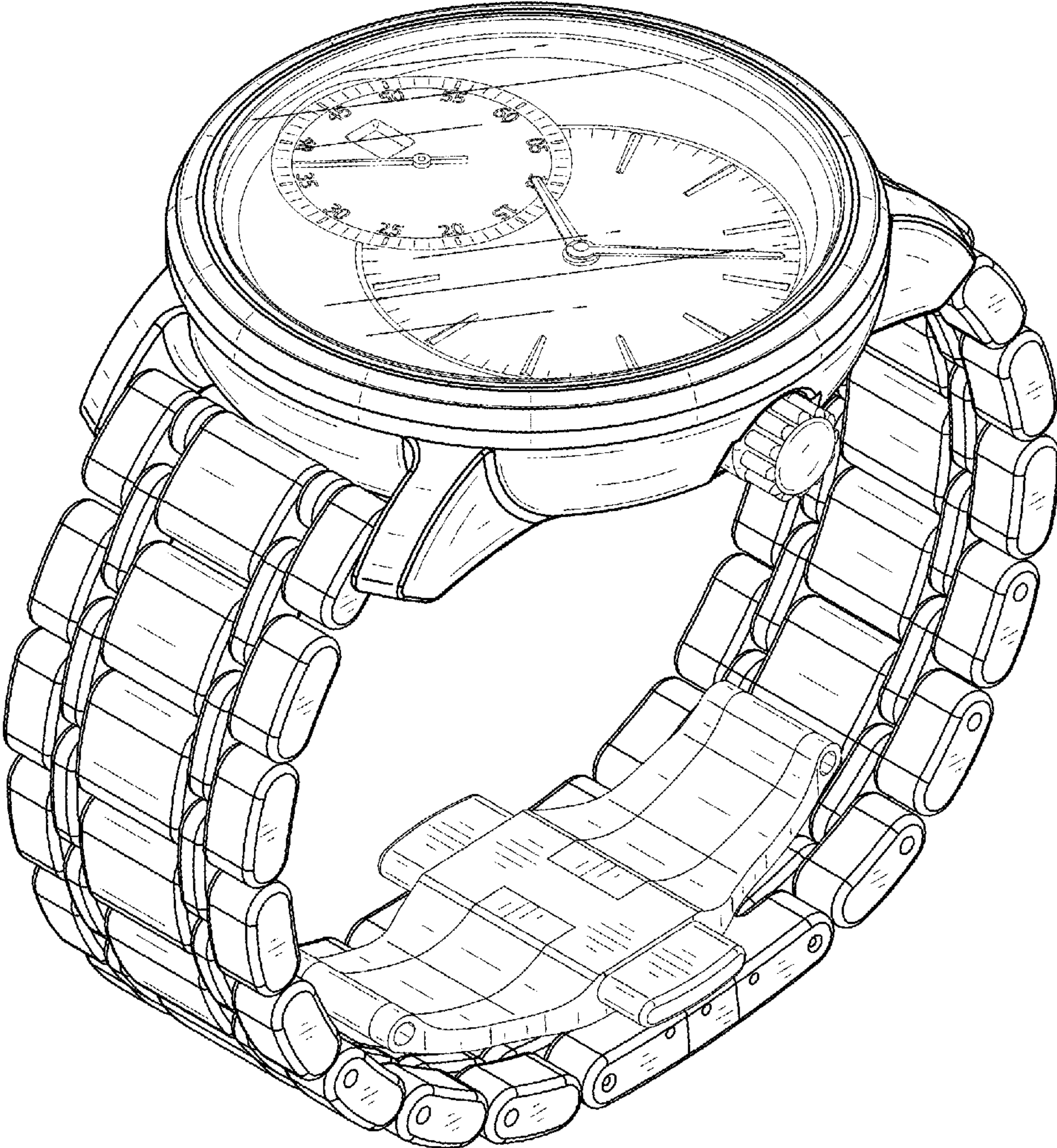


FIG. 1



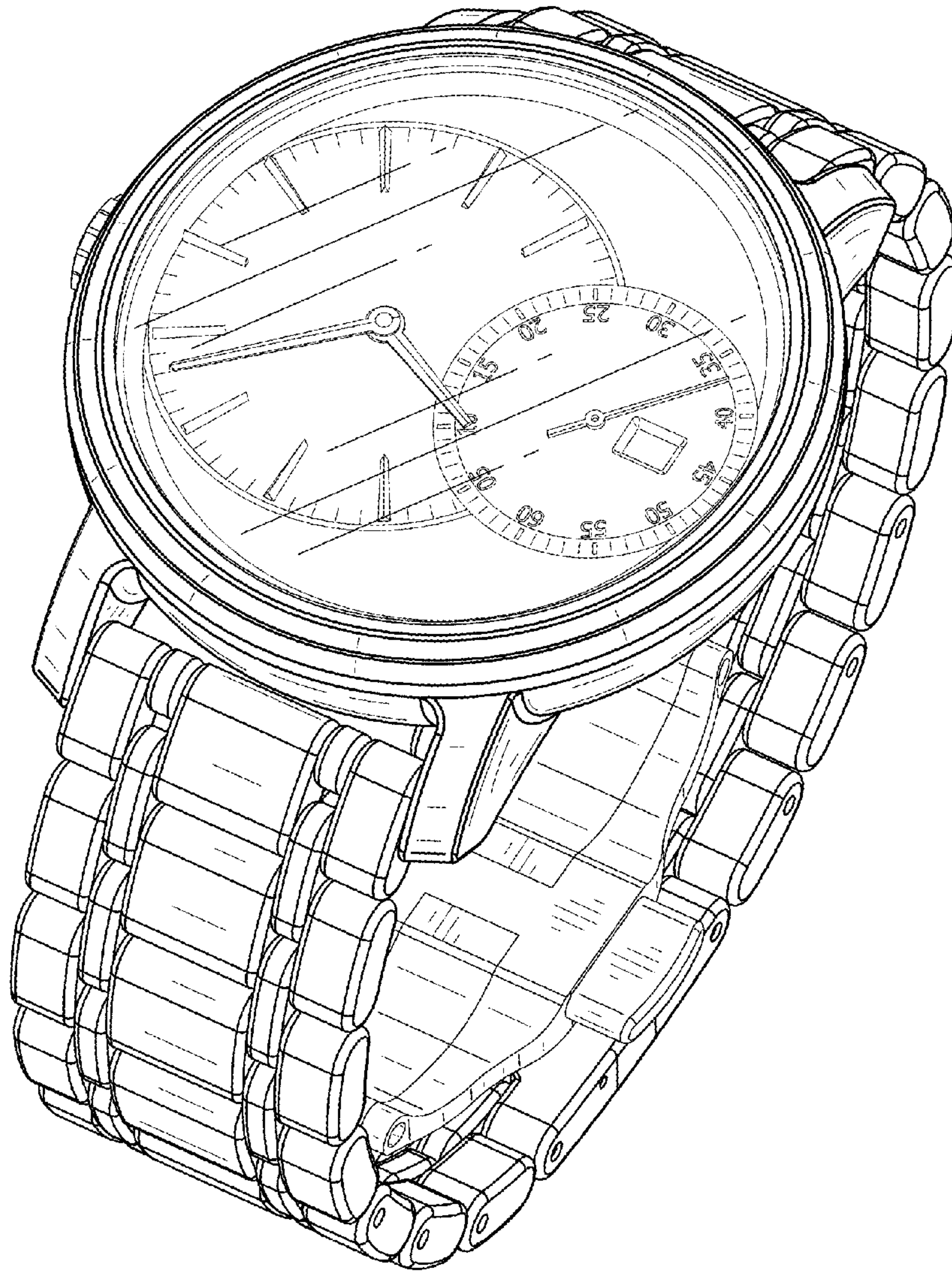


FIG. 2

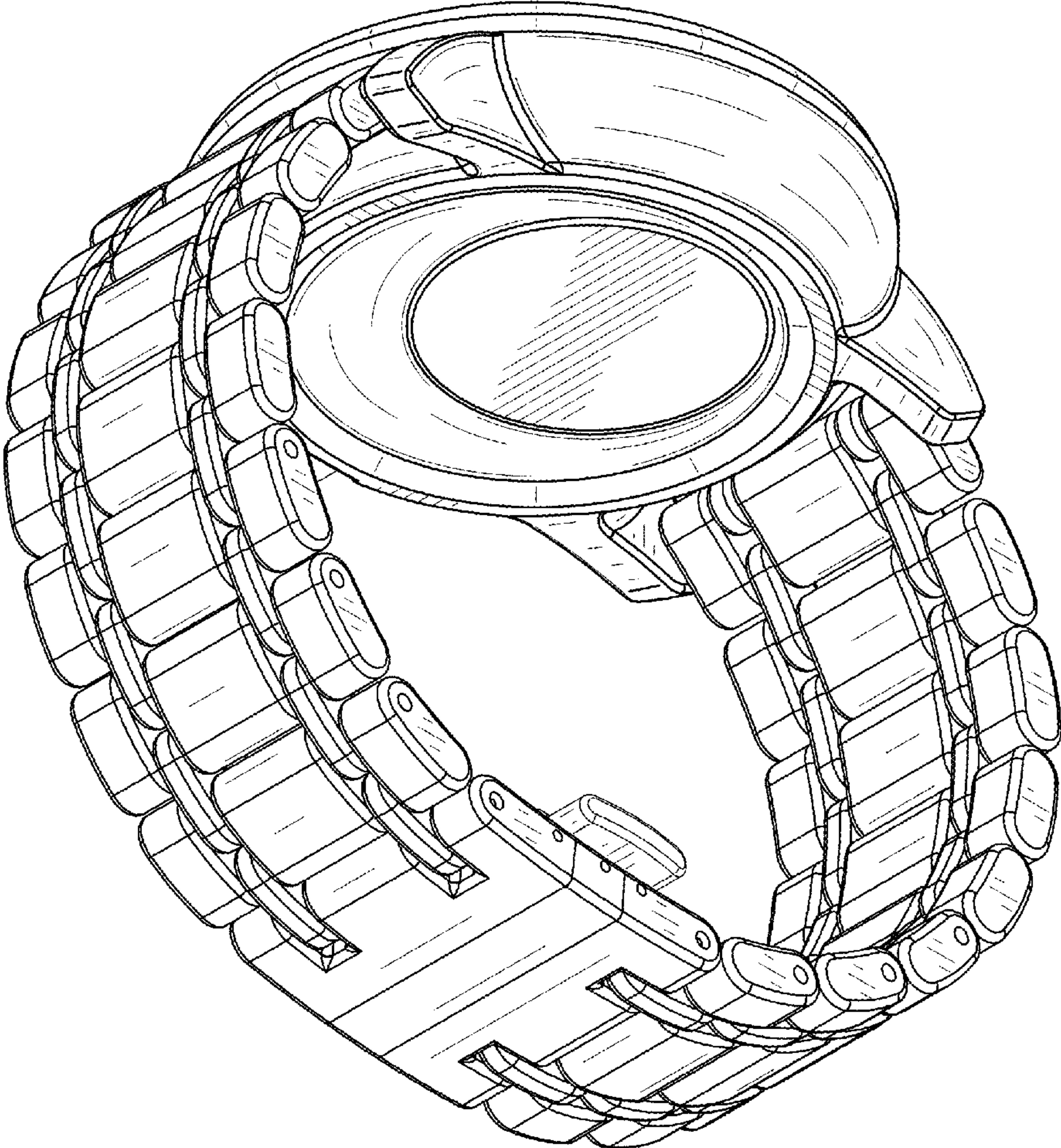


FIG. 3



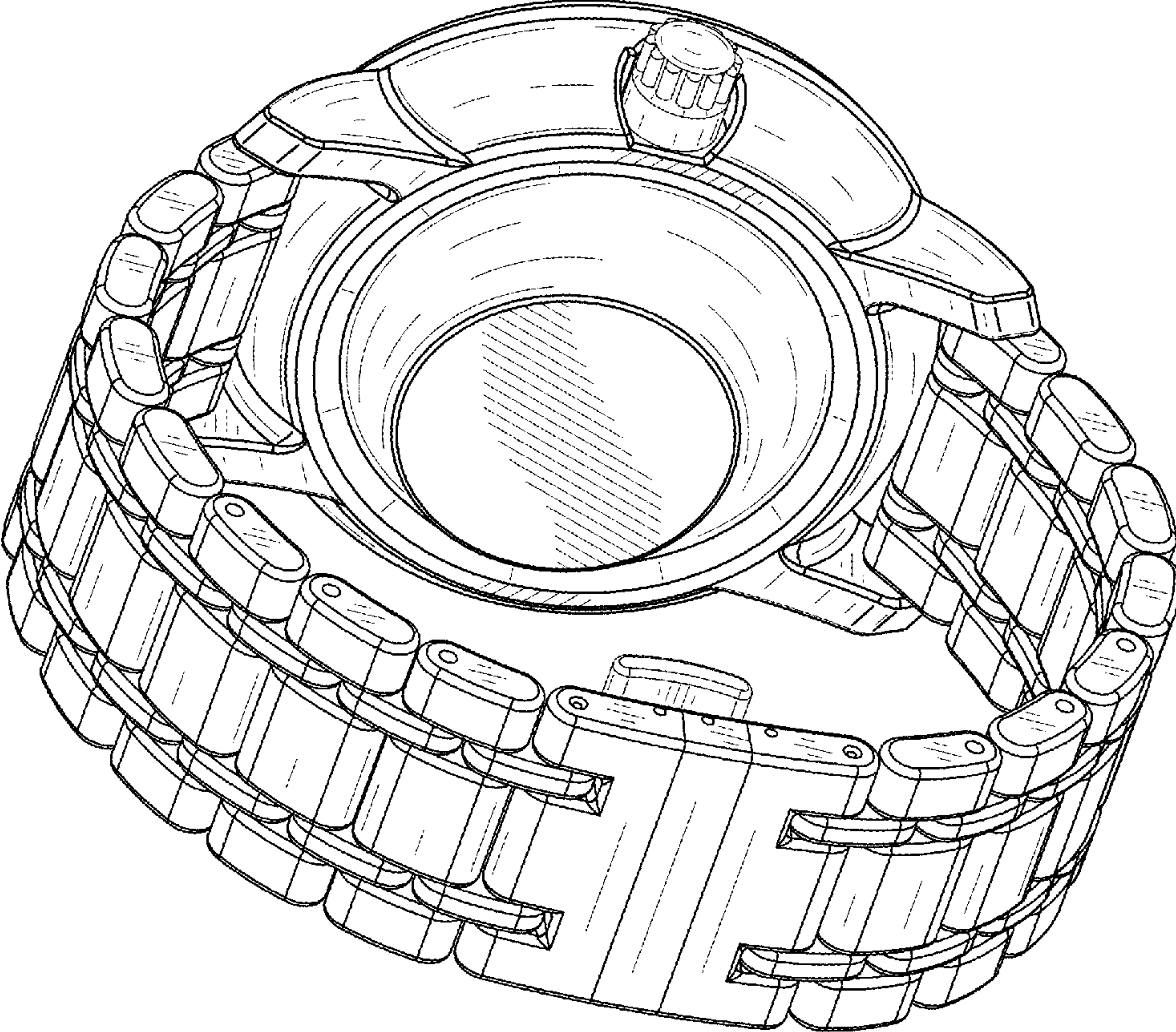


FIG. 4

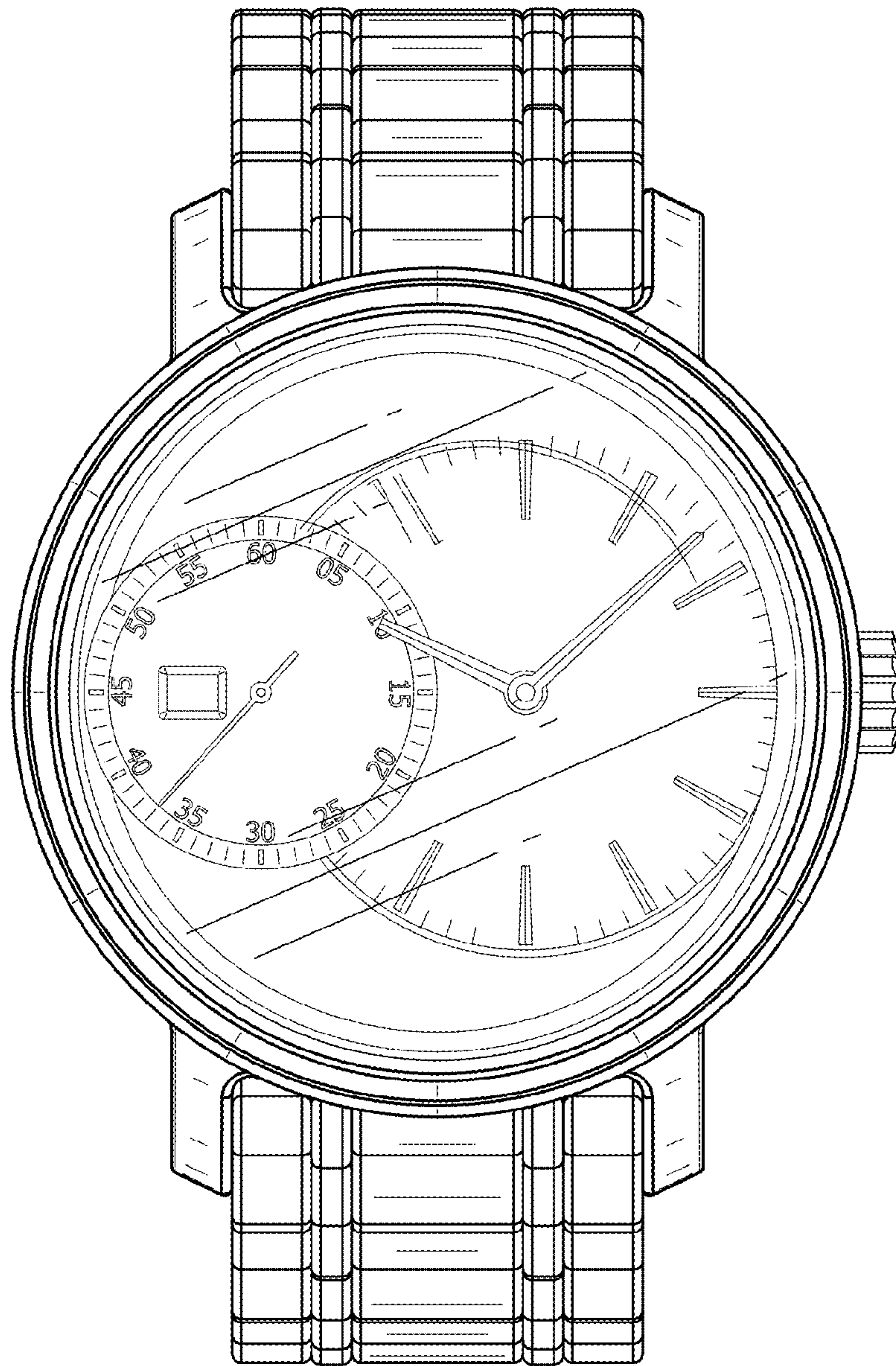


FIG. 5

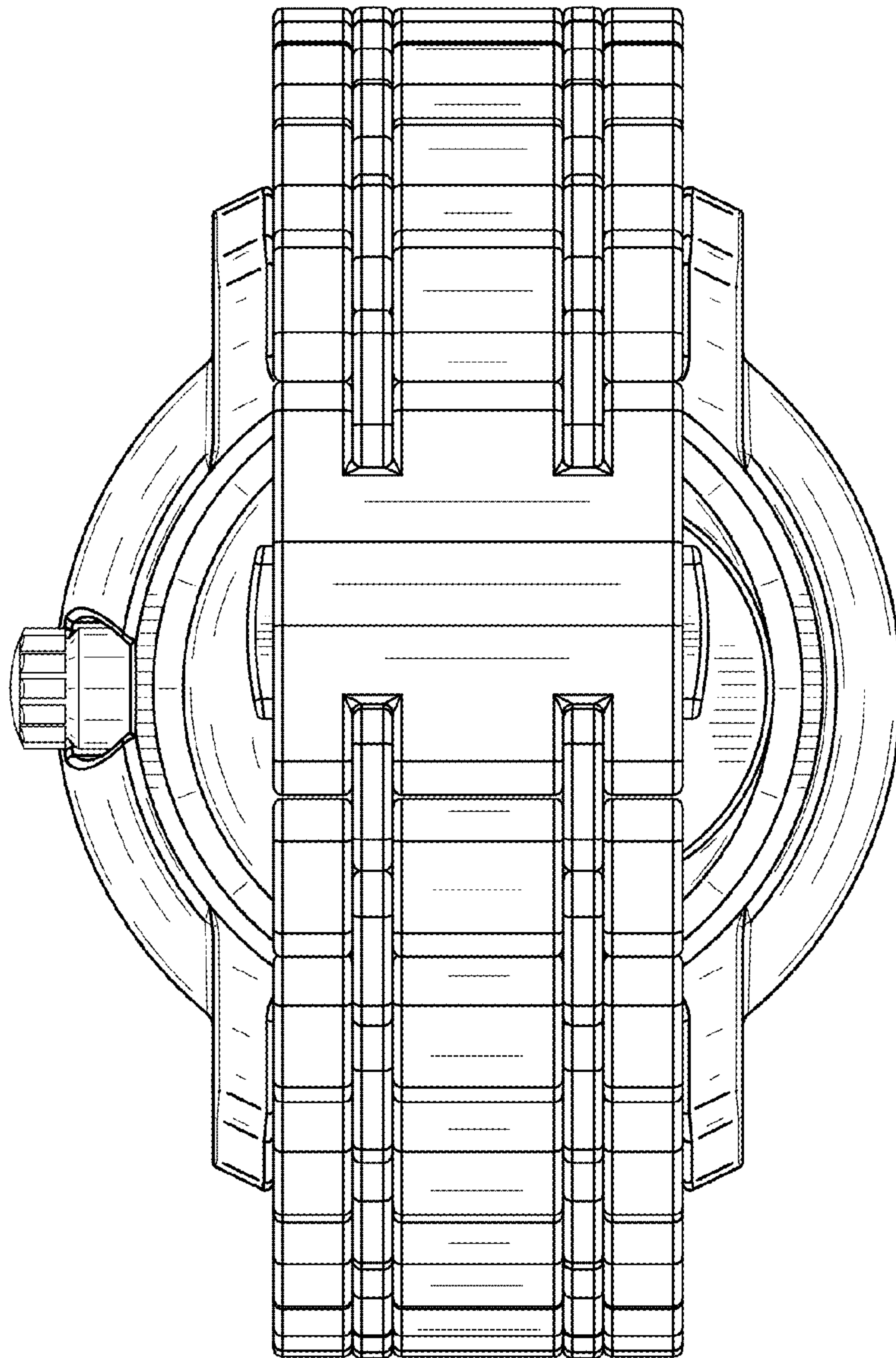


FIG. 6

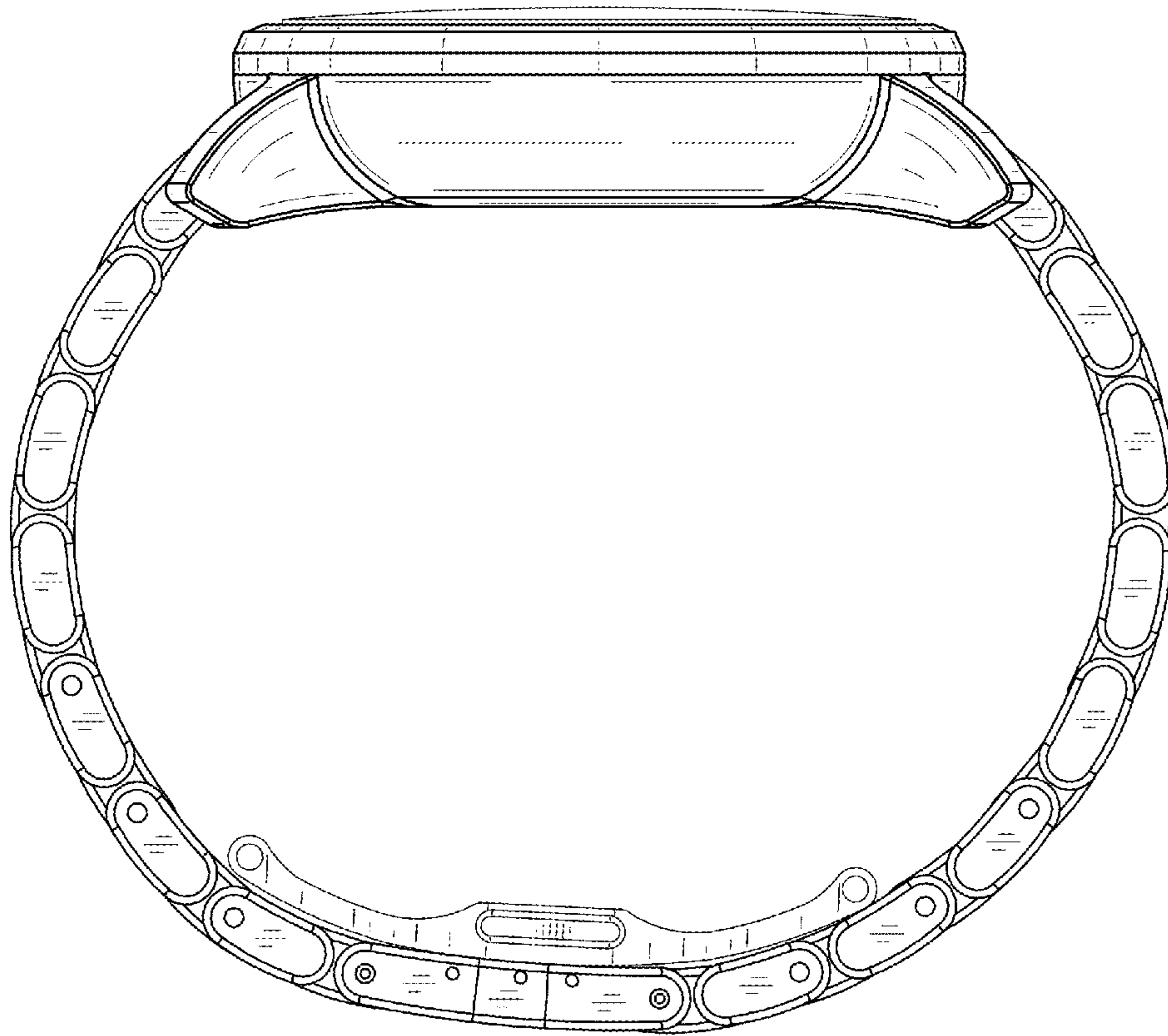


FIG. 7



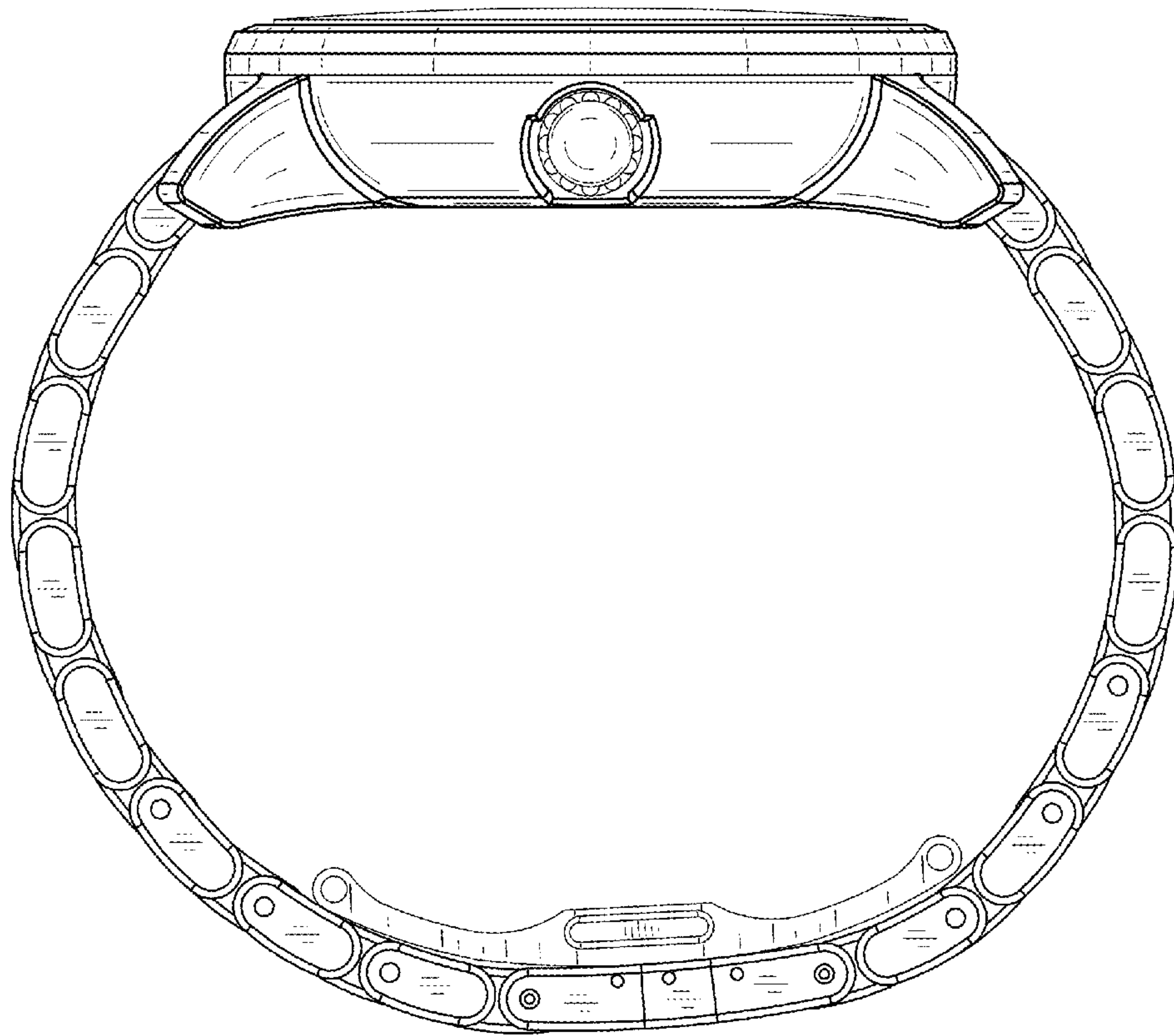


FIG. 8

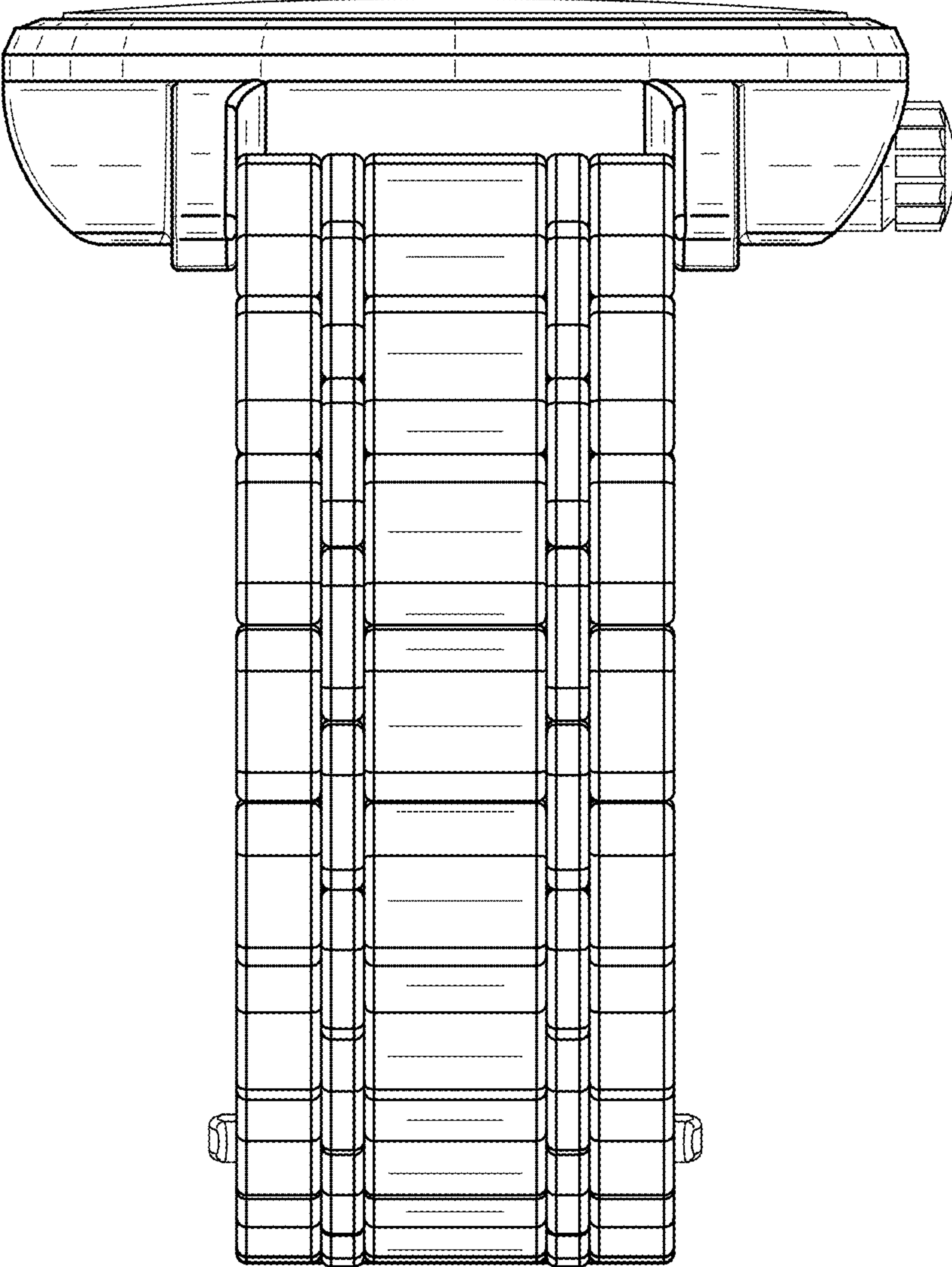


FIG. 9

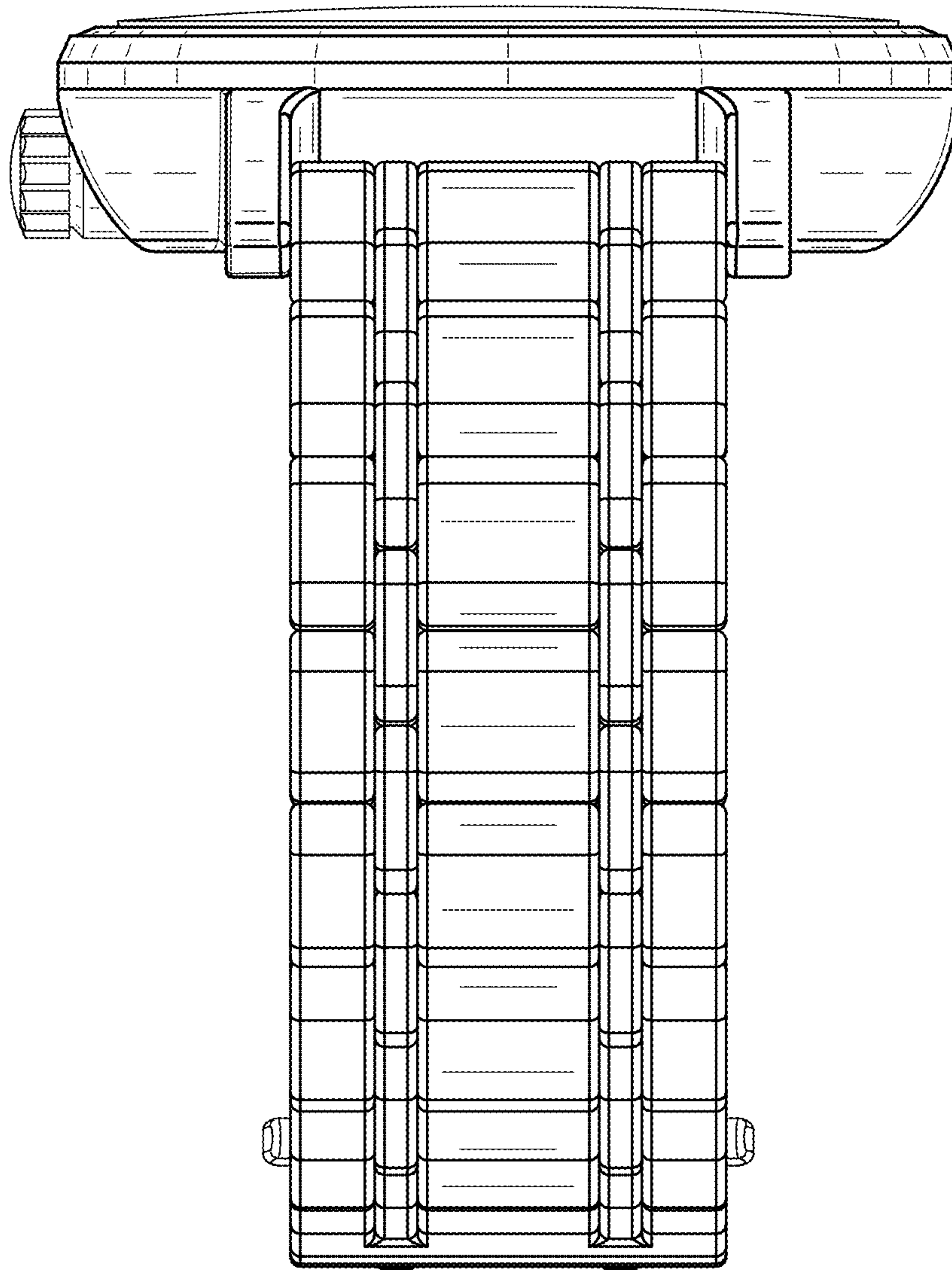


FIG. 10