

US00D760603S

(12) **United States Design Patent**  
**Soares**

(10) **Patent No.:** **US D760,603 S**  
(45) **Date of Patent:** **\*\* Jul. 5, 2016**

(54) **WRISTWATCH**

(56) **References Cited**

(71) Applicant: **RADO UHREN AG (RADO WATCH CO. LTD.) (MONTRES RADO SA)**, Lengnau (CH)

(72) Inventor: **Fernando Soares**, Neuchatel (CH)

(73) Assignee: **RADO UHREN AG (RADO WATCH CO. LTD.) (MONTRES RADO SA)**, Lengnau (CH)

(\*\*) Term: **15 Years**

(21) Appl. No.: **29/530,365**

(22) Filed: **Jun. 16, 2015**

(30) **Foreign Application Priority Data**

Dec. 16, 2014 (EM) ..... DM/085164

(51) **LOC (10) Cl.** ..... **10-02**

(52) **U.S. Cl.**  
USPC ..... **D10/32; D10/39; D11/3**

(58) **Field of Classification Search**  
USPC ..... D10/30-39, 1-29, 122-132; D11/3, 25  
CPC ..... G04B 19/00; G04B 19/06; G04B 19/24;  
G04B 27/00; G04B 27/04; G04B 37/00;  
G04B 37/0008; G04B 37/0058; G04B 37/081;  
G04B 37/1486; G04B 45/00; G04B 45/0069;  
G04B 5/027; A44C 5/00; A44C 5/02; A44C  
5/107; A44C 5/18; A44C 5/185

See application file for complete search history.

U.S. PATENT DOCUMENTS

4,548,514	A	*	10/1985	Ganter	.....	G04B 37/081
						368/289
D460,000	S	*	7/2002	Glauser	.....	D10/32
D471,482	S	*	3/2003	Calvani	.....	D11/3
D578,023	S	*	10/2008	Rochat	.....	D10/32
D622,167	S	*	8/2010	Jorst	.....	D10/39
D631,764	S	*	2/2011	Furetta	.....	D10/32
D650,704	S	*	12/2011	Actis-Datta	.....	D10/32
D659,025	S	*	5/2012	Yurman	.....	D10/32
D659,026	S	*	5/2012	Yurman	.....	D10/32
D673,463	S	*	1/2013	Duport	.....	D10/32
D673,866	S	*	1/2013	Duport	.....	D10/32
D691,495	S	*	10/2013	Duport	.....	D10/32
D697,822	S	*	1/2014	Duport	.....	D10/32

\* cited by examiner

*Primary Examiner* — Martie K Holtje

(74) *Attorney, Agent, or Firm* — Donald J. Ranft; Kristen A. Mogavero; Collen IP

(57) **CLAIM**

The ornamental design for a wristwatch, as shown.

**DESCRIPTION**

FIG. 1 is a front right perspective view of a wristwatch showing my new design;  
FIG. 2 is a front left perspective view thereof;  
FIG. 3 is a rear left perspective view thereof;  
FIG. 4 is a rear right view thereof;  
FIG. 5 is a front view thereof;  
FIG. 6 is a rear view thereof;  
FIG. 7 is a left side view thereof;  
FIG. 8 is a right side view thereof; and,  
FIG. 9 is a bottom view thereof.

**1 Claim, 9 Drawing Sheets**



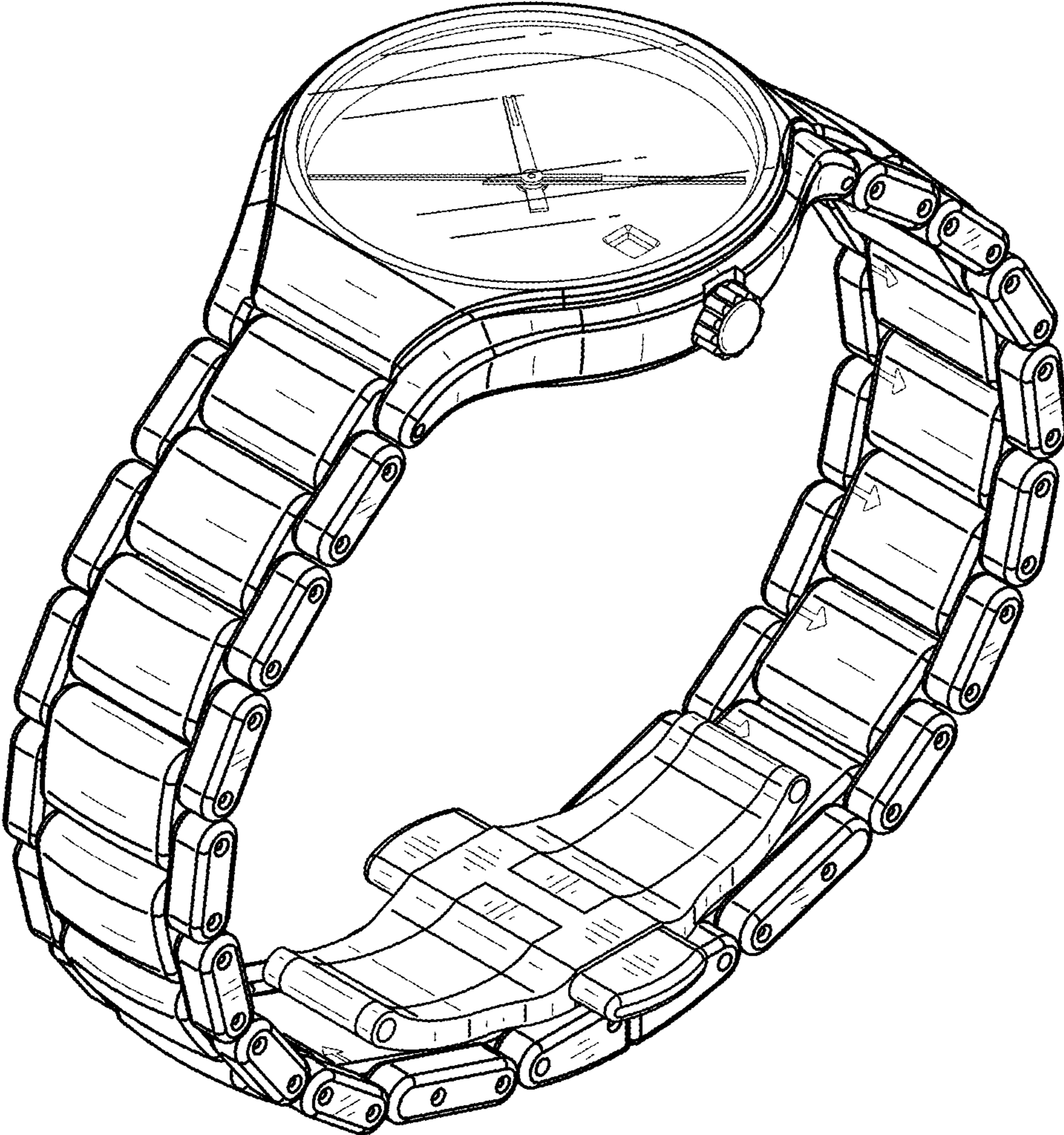


FIG. 1



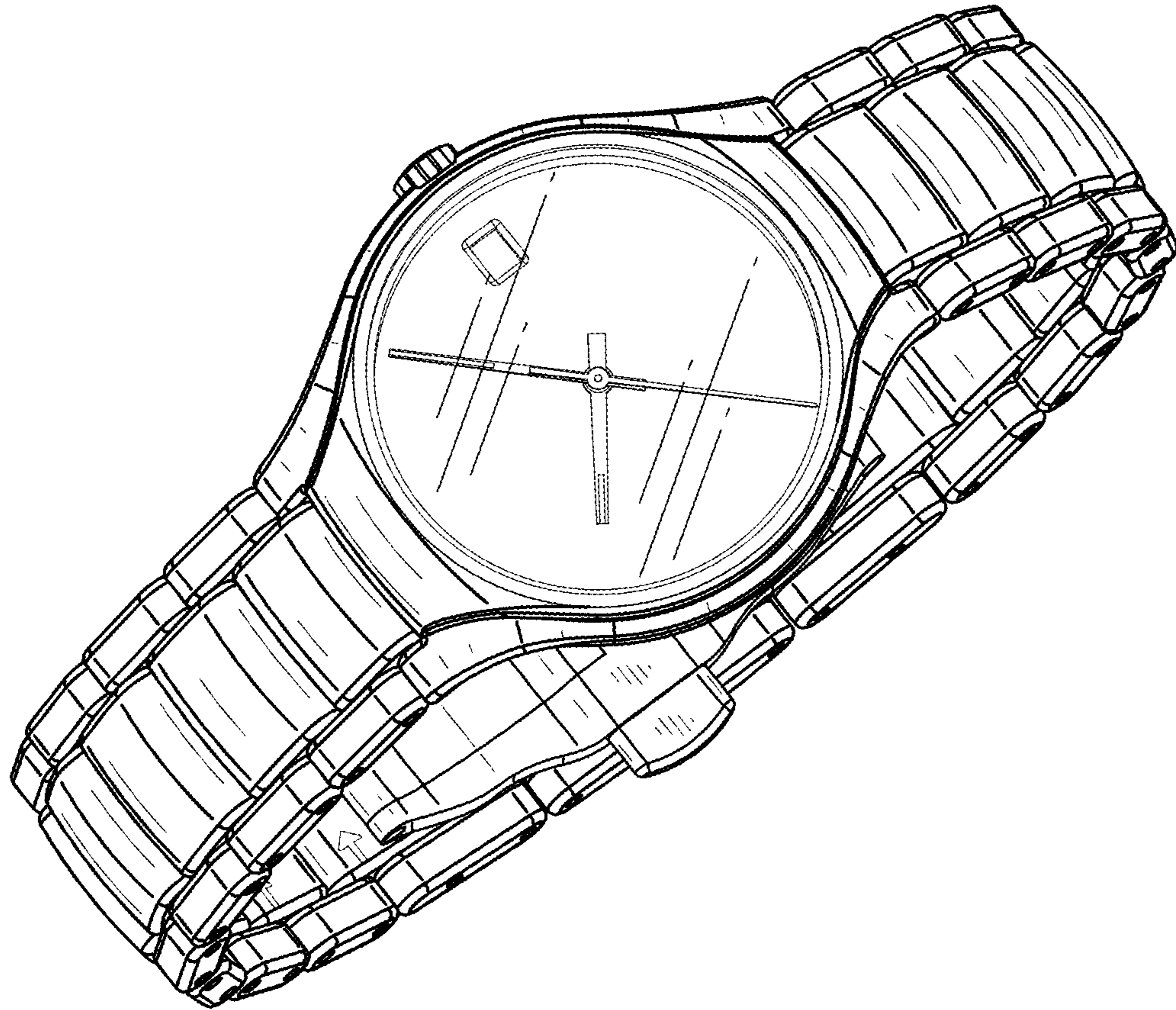


FIG. 2

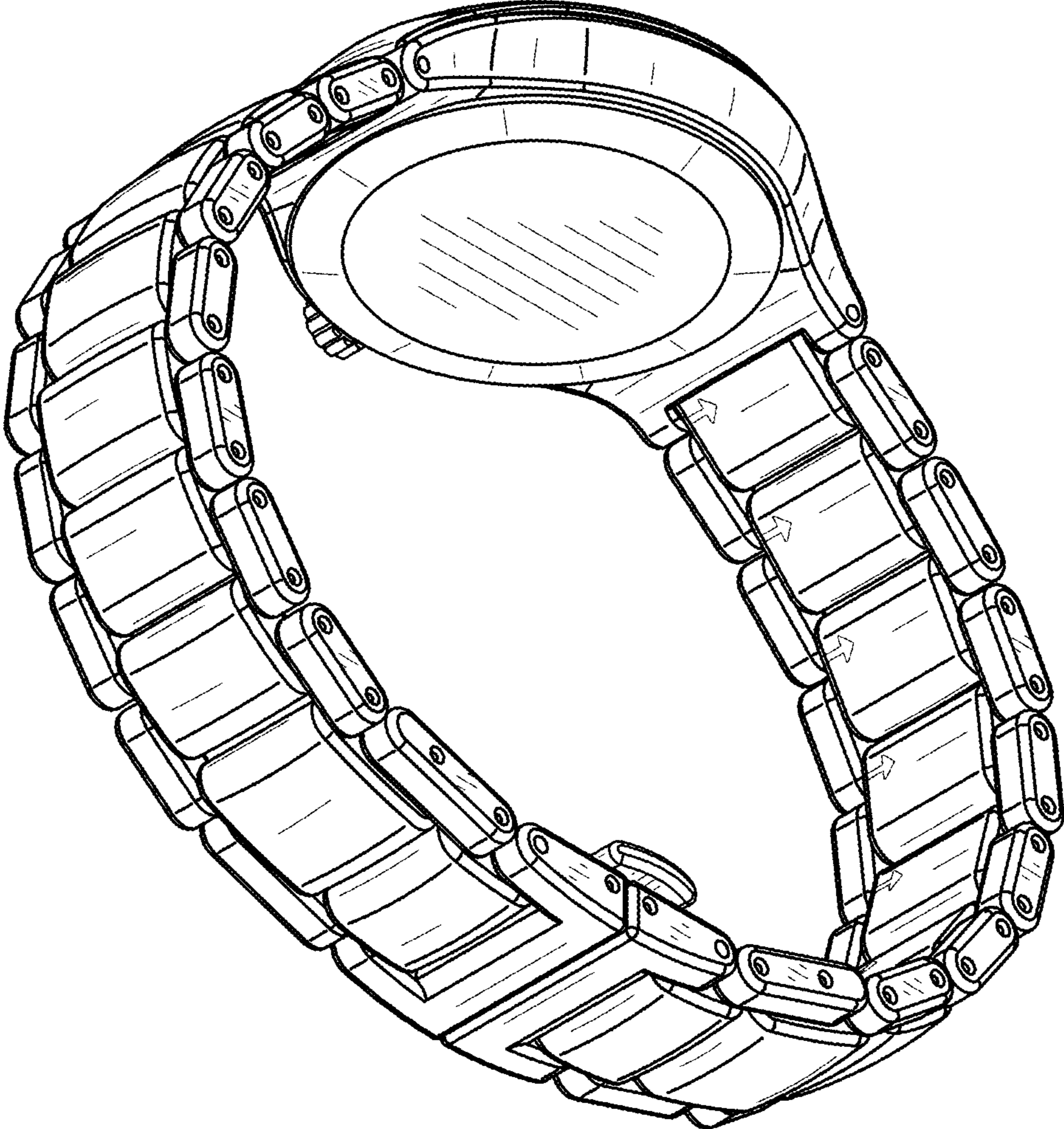


FIG. 3

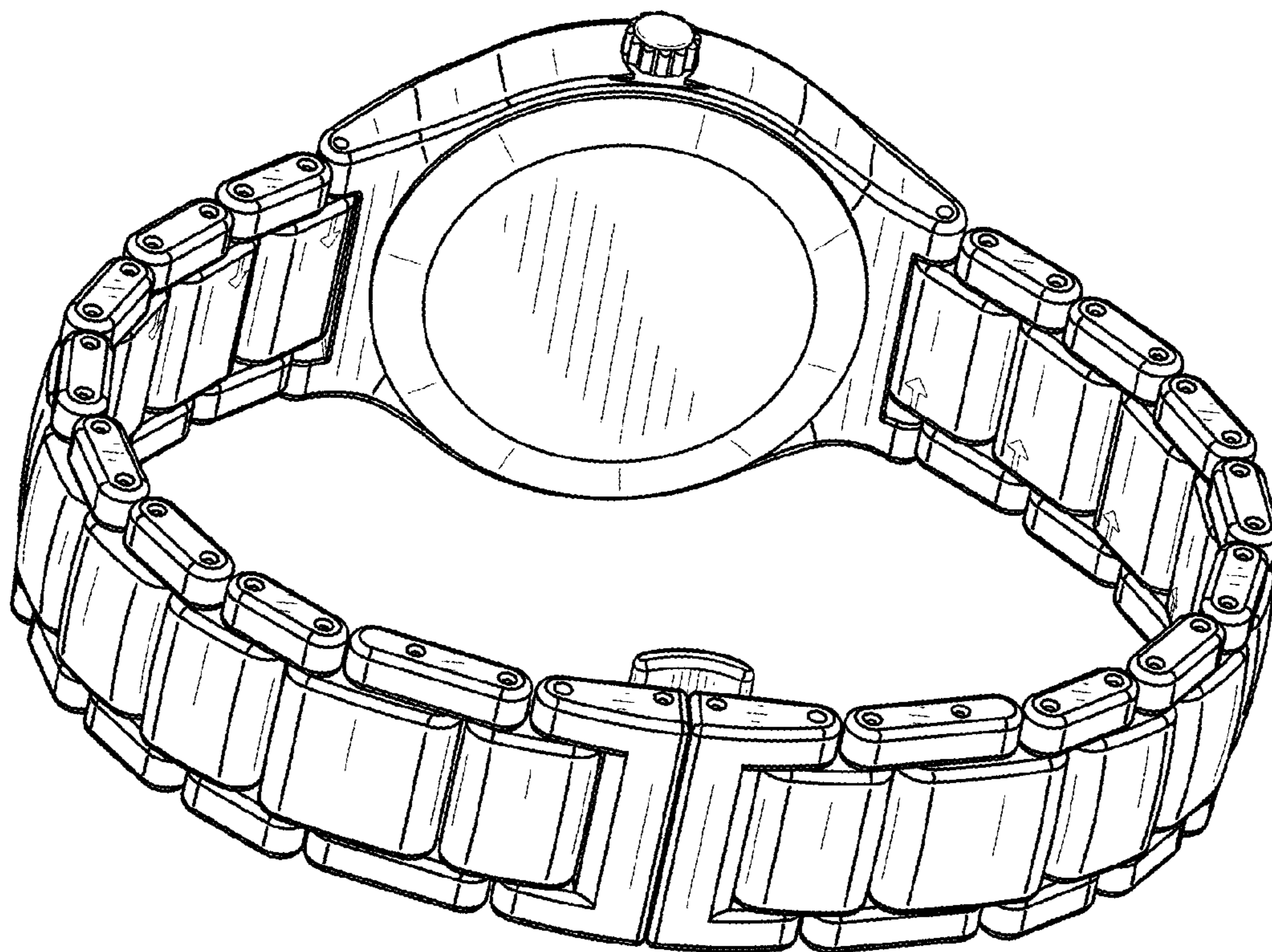


FIG. 4

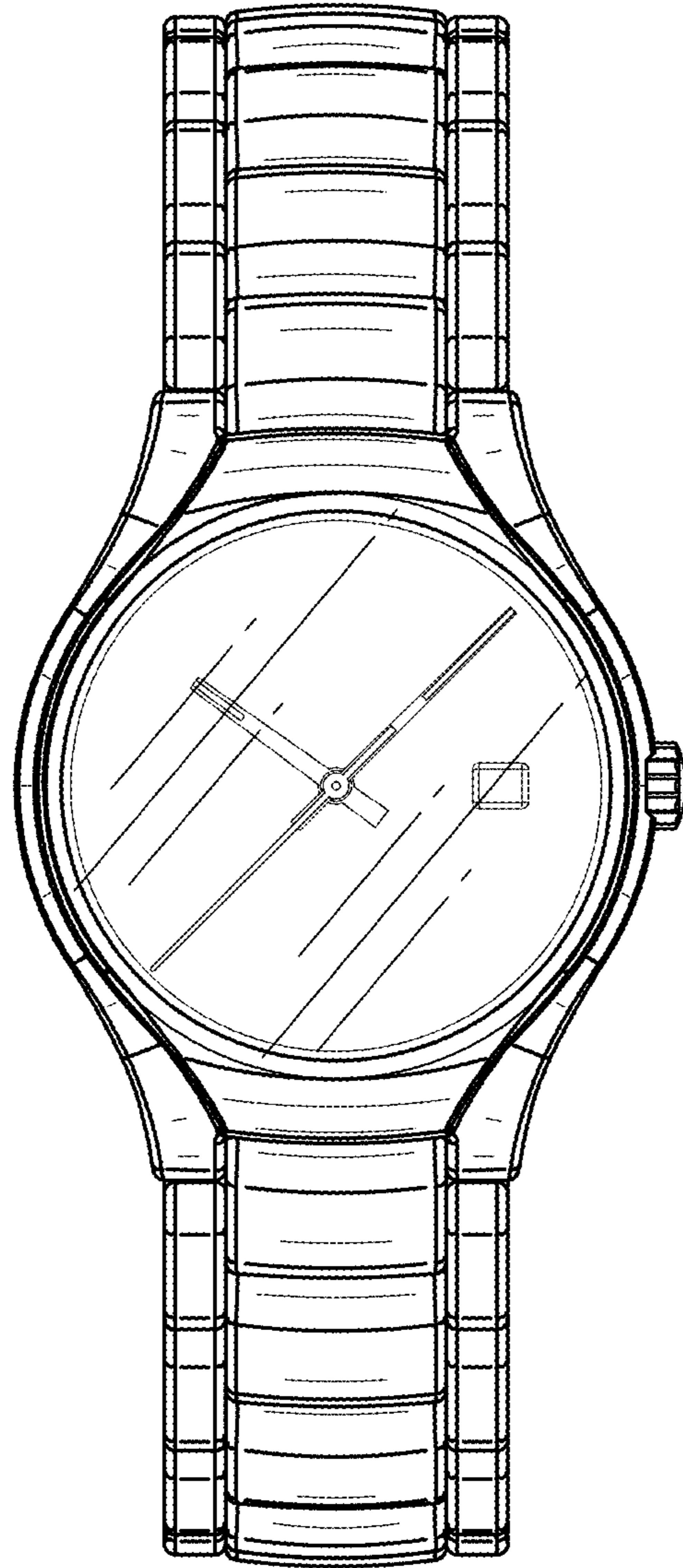


FIG. 5



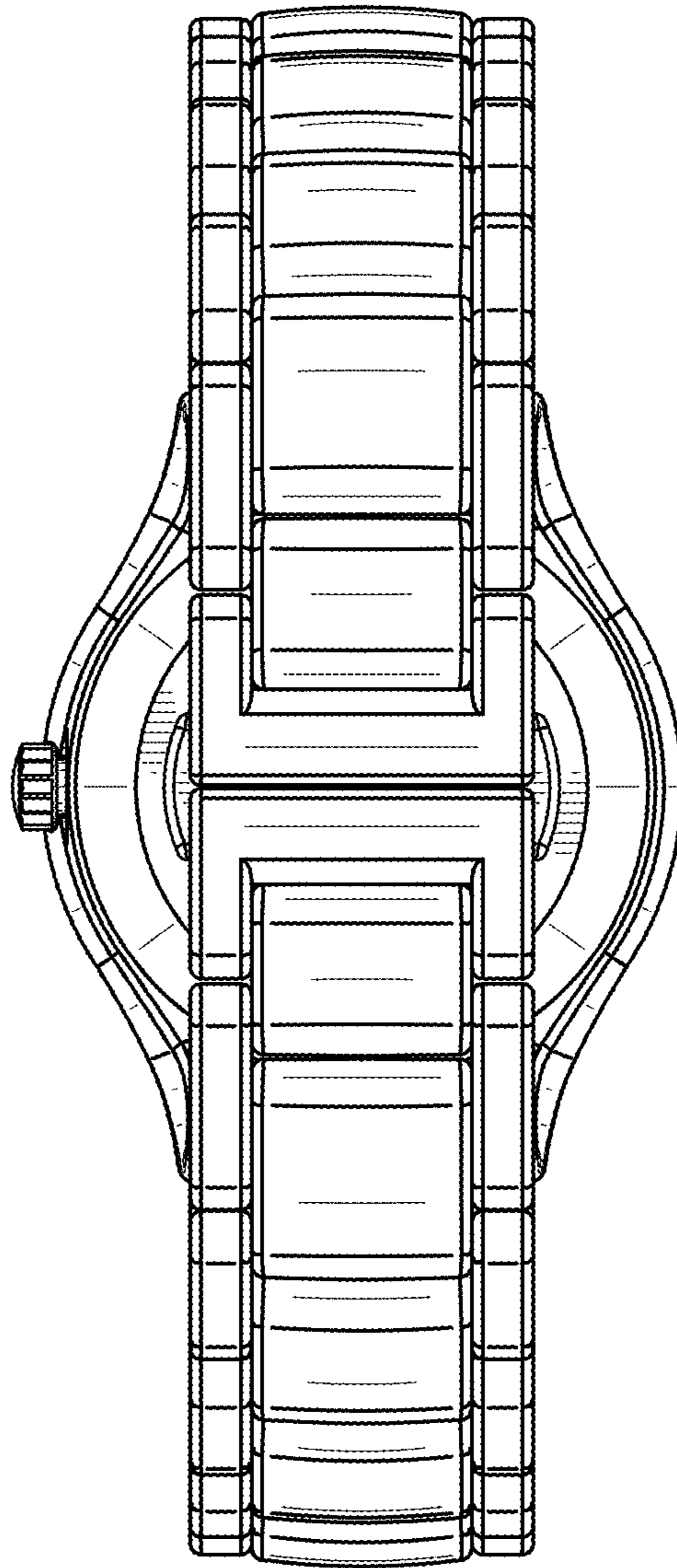


FIG. 6

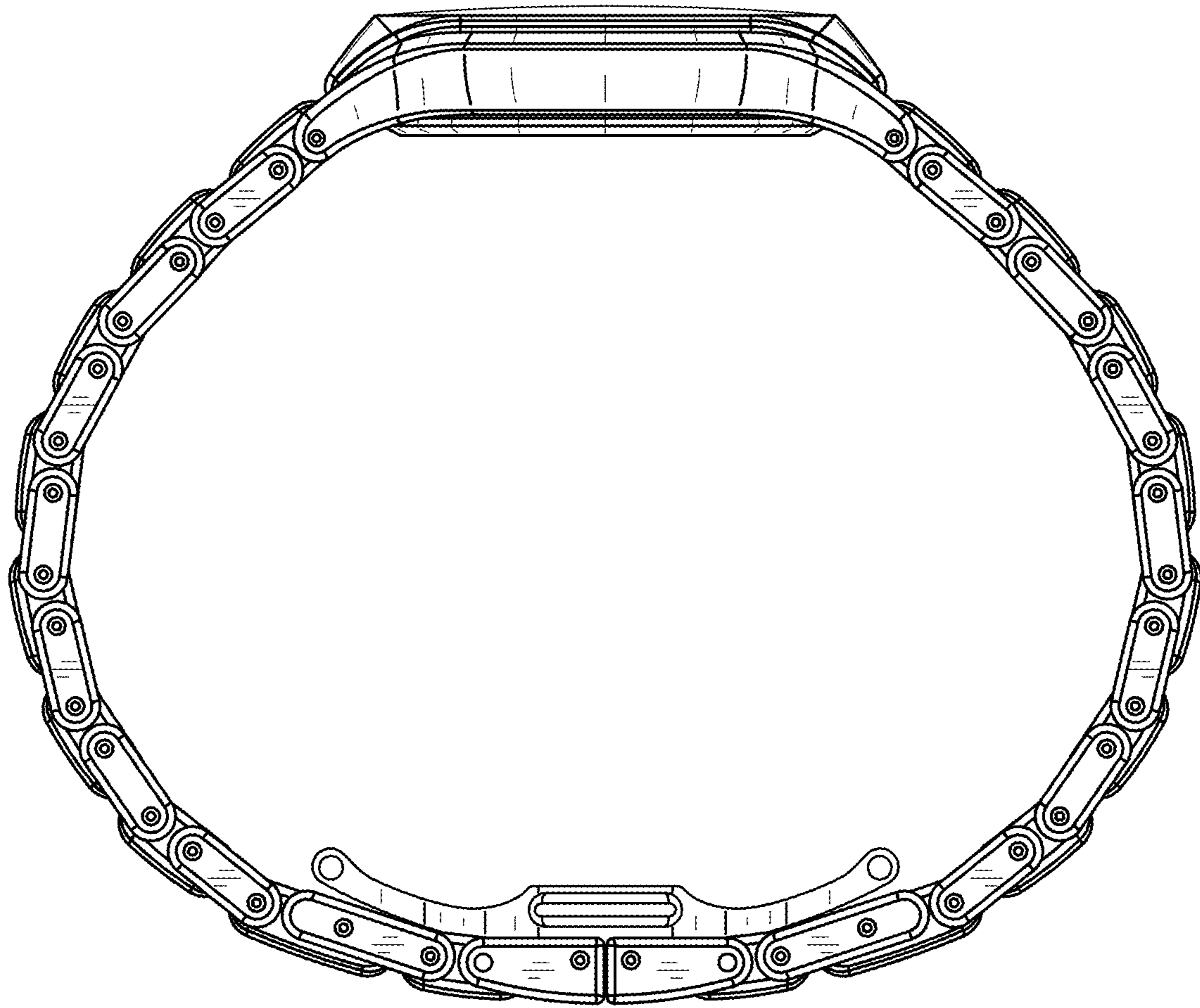


FIG. 7



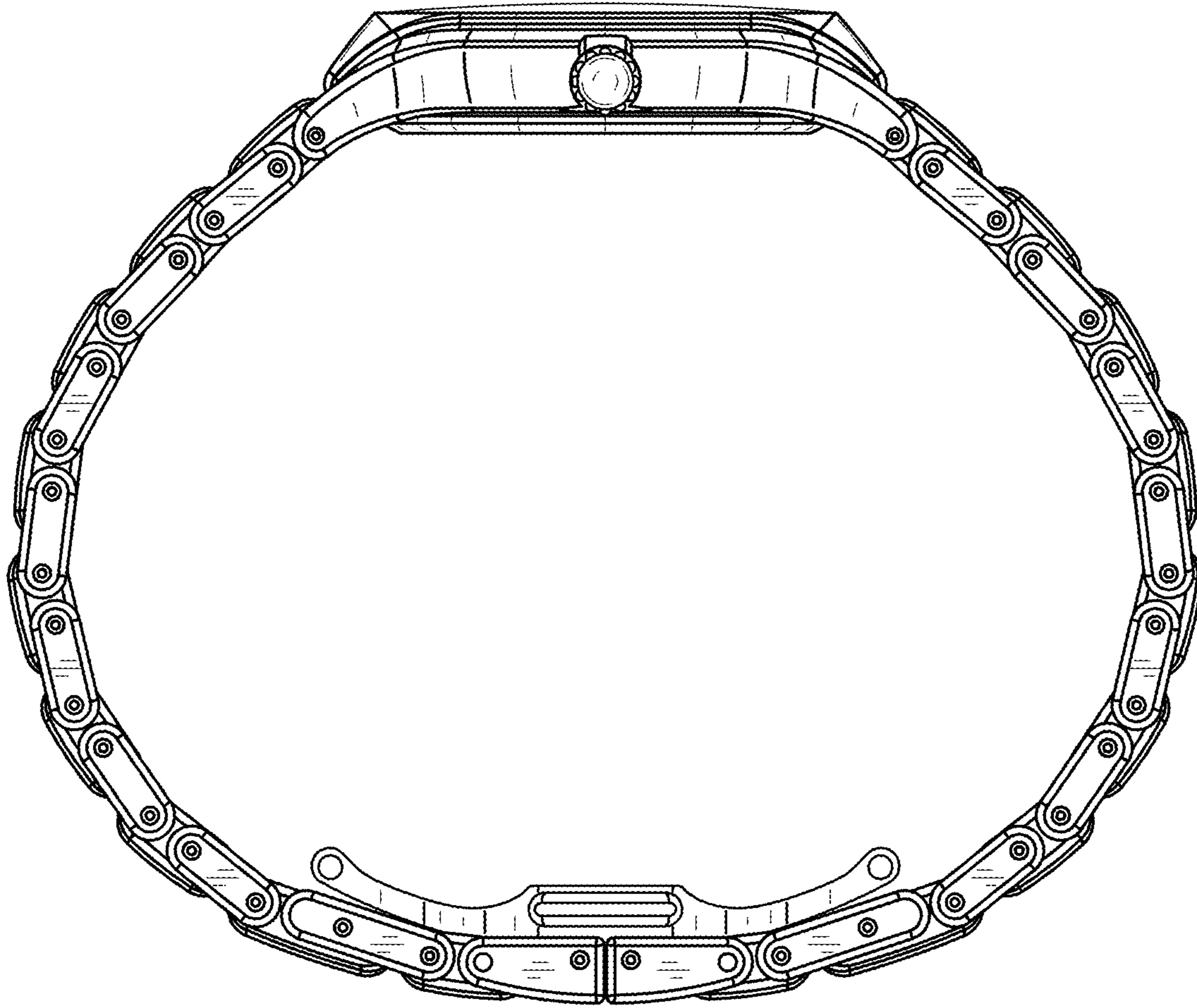


FIG. 8

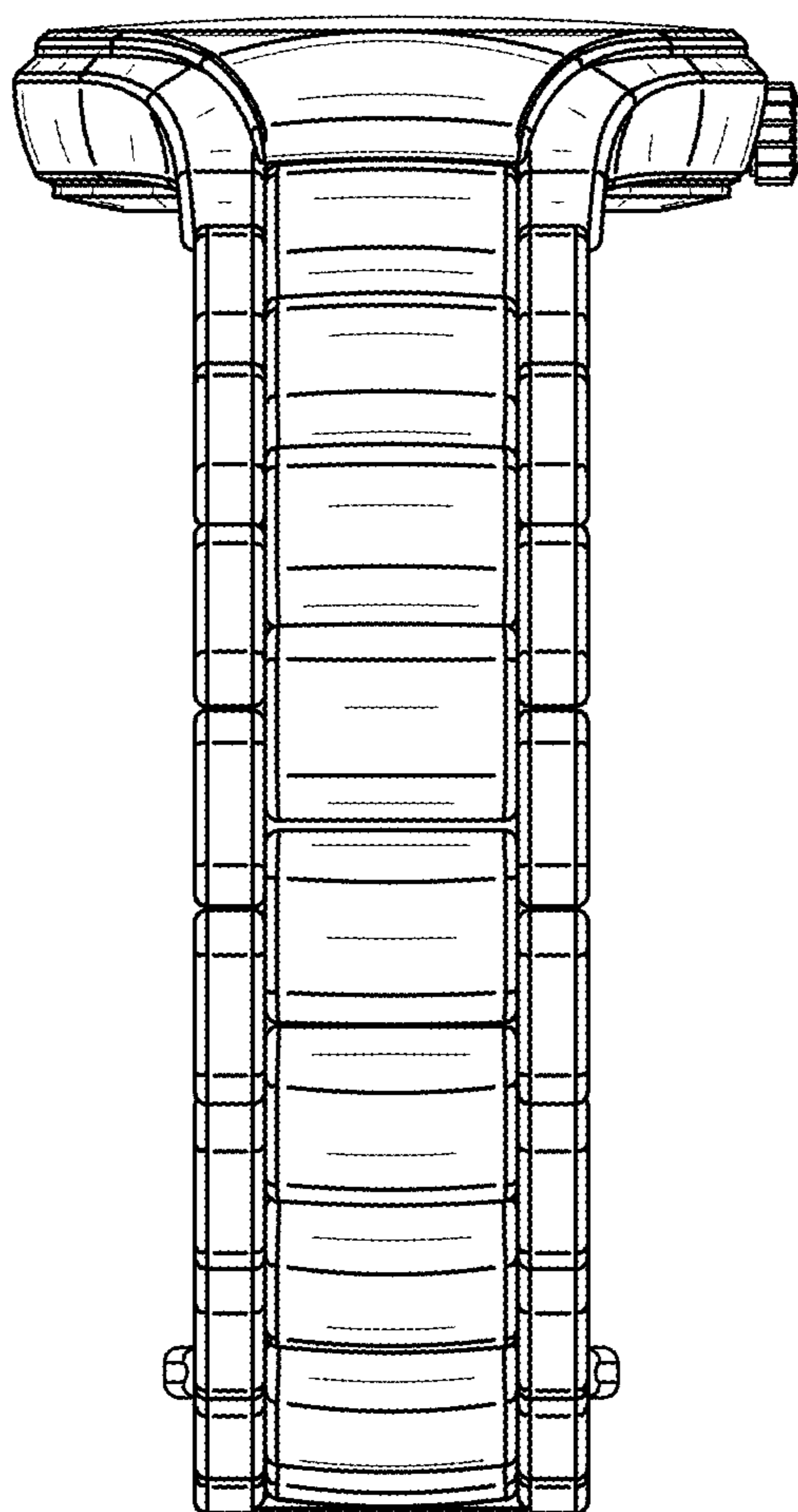


FIG. 9