



US00D760602S

(12) **United States Design Patent**
Sharpe

(10) **Patent No.:** **US D760,602 S**

(45) **Date of Patent:** **** Jul. 5, 2016**

(54) **HEART-SHAPED TIMEPIECE**

(71) Applicant: **Ronald W. Sharpe**, San Ysidro, CA
(US)

(72) Inventor: **Ronald W. Sharpe**, San Ysidro, CA
(US)

(*) Notice: This patent is subject to a terminal disclaimer.

(**) Term: **14 Years**

(21) Appl. No.: **29/486,727**

(22) Filed: **Apr. 2, 2014**

Related U.S. Application Data

(63) Continuation-in-part of application No. 14/207,747,
filed on Mar. 13, 2014.

(51) **LOC (10) Cl.** **10-01**

(52) **U.S. Cl.**
USPC **D10/6; D10/15**

(58) **Field of Classification Search**
USPC D10/1-29, 30-39, 122-132; D3/208;
D11/133, 157; D19/64; 368/10, 76-79,
368/82, 85, 223-226, 239, 240, 241,
368/276-282, 285, 309; 434/304
CPC G04C 21/00; G04C 21/14; G04C 21/16;
G04B 19/00; G04B 19/04; G04B 45/0069;
G04B 45/0076; G04B 47/00; G04B 47/04;
G04G 13/00; G04G 13/026
See application file for complete search history.

(56) **References Cited**

U.S. PATENT DOCUMENTS

D62,839 S * 8/1923 McDaniel D10/2
D91,101 S * 11/1933 Covone D10/6

D107,943 S * 1/1938 Bloom D10/33
D110,166 S * 6/1938 Arzt D10/33
D211,897 S * 8/1968 Tokar D10/31
D319,193 S * 8/1991 Kwun D10/33
5,199,009 A * 3/1993 Svast 368/240
D356,738 S * 3/1995 Williams D10/6
D360,366 S * 7/1995 McGill D10/6
D375,687 S * 11/1996 Carman D10/6
D383,395 S * 9/1997 Giesbrecht D10/6
D386,426 S * 11/1997 Gemmell D10/31
D412,668 S * 8/1999 Swash et al. D10/6
D505,339 S * 5/2005 Lui D10/6
D614,509 S * 4/2010 Evans, Jr. D10/6
D619,353 S * 7/2010 Ash D3/208
8,260,405 B2 9/2012 Aarts
2008/0051667 A1 2/2008 Goldreich
2008/0234600 A1 9/2008 Marsh
2008/0262364 A1* 10/2008 Aarts 600/509
2010/0311544 A1 12/2010 Robinette et al.
2012/0277014 A1 11/2012 Caldwell

* cited by examiner

Primary Examiner — Martie K Holtje

(74) *Attorney, Agent, or Firm* — Daniel Boudwin; Global
Intellectual Property Agency LLC

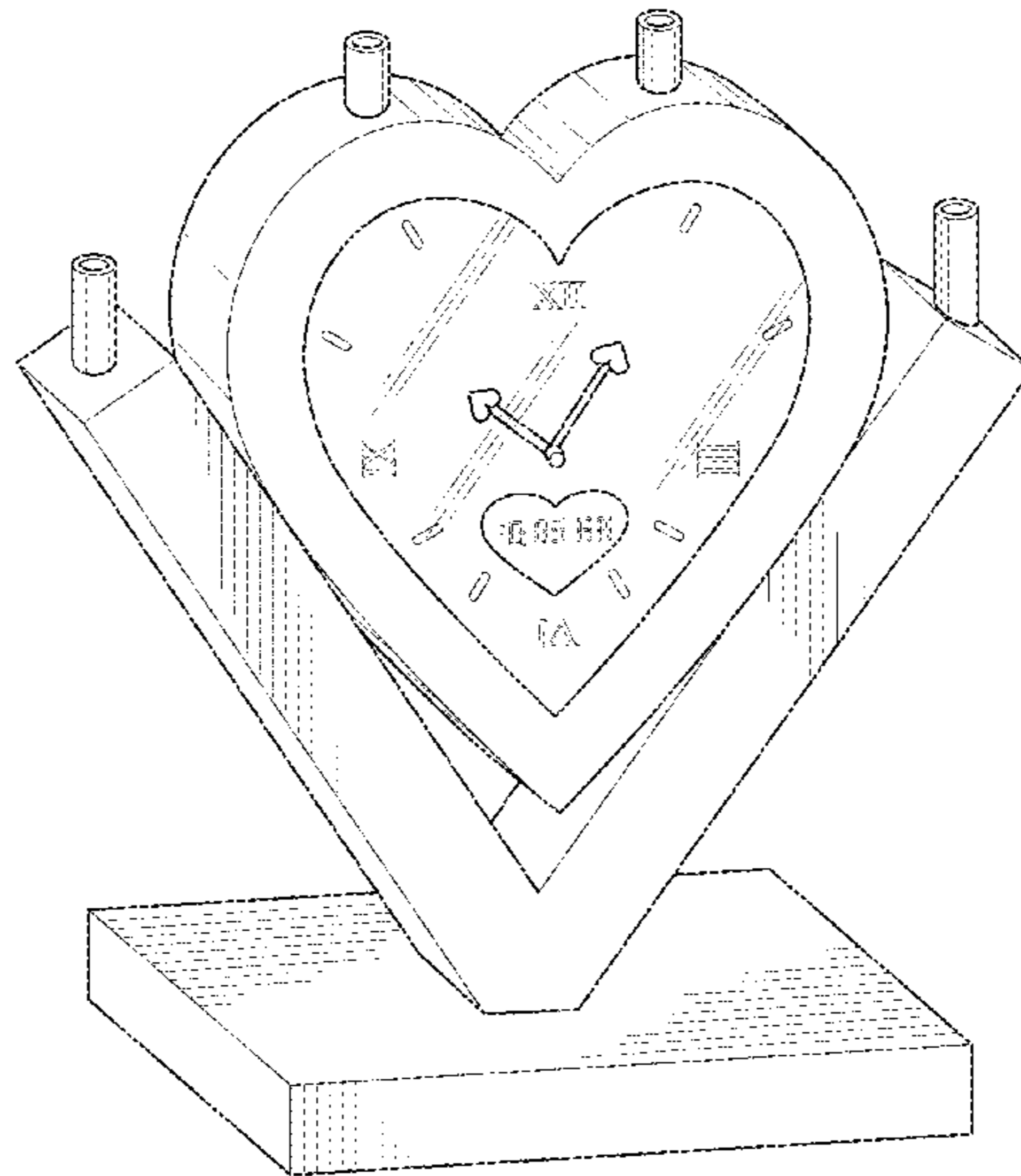
(57) **CLAIM**

The ornamental design for a heart-shaped timepiece, as
shown and described.

DESCRIPTION

FIG. 1 is a left front perspective view of a heart-shaped
timepiece showing my new design;
FIG. 2 is a front elevational view thereof;
FIG. 3 is a rear elevational view thereof;
FIG. 4 is a first side elevational view thereof;
FIG. 5 is a second side elevational view thereof;
FIG. 6 is a bottom plan view thereof; and,
FIG. 7 is a top plan view thereof.

1 Claim, 5 Drawing Sheets



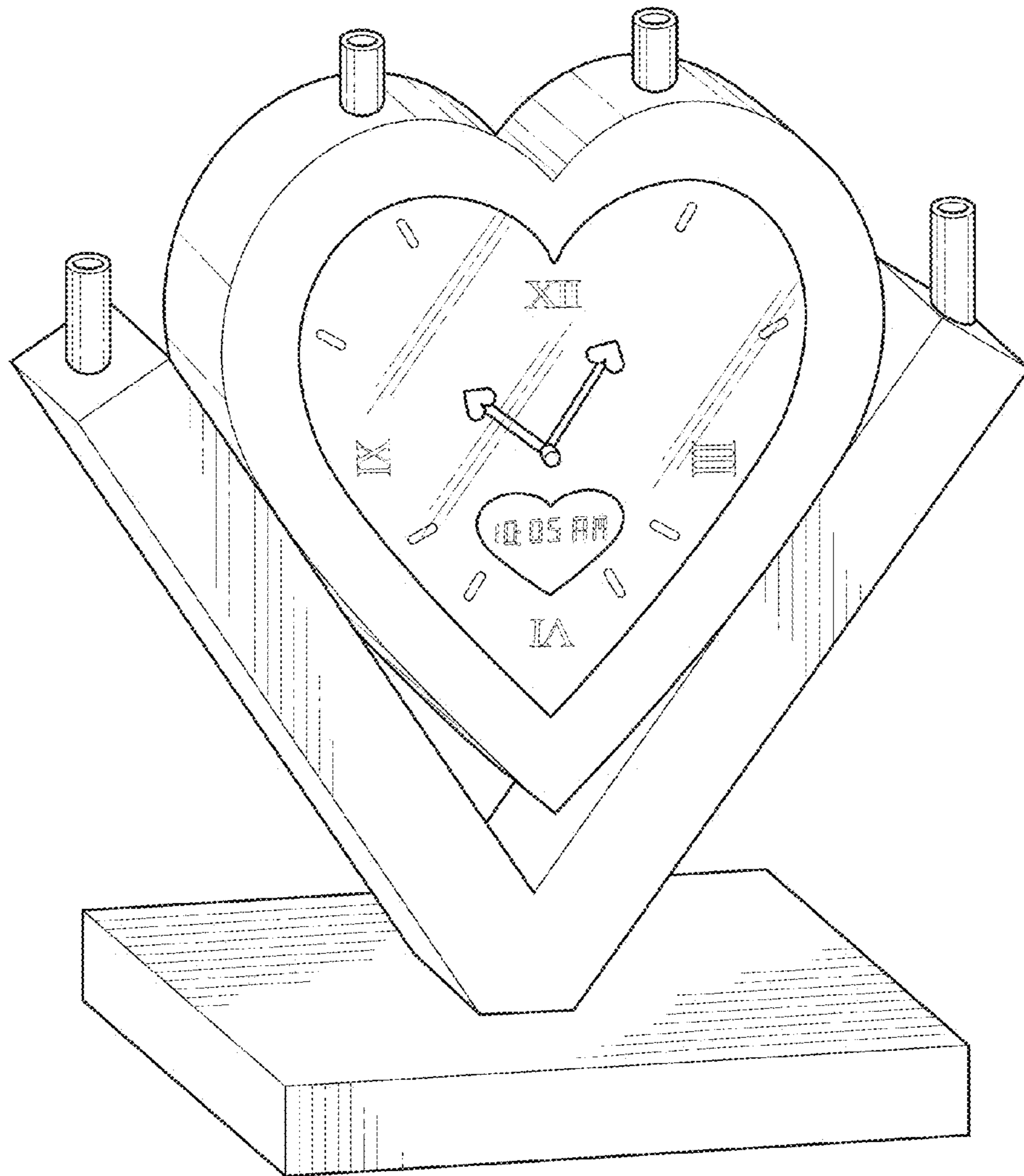


FIG. 1

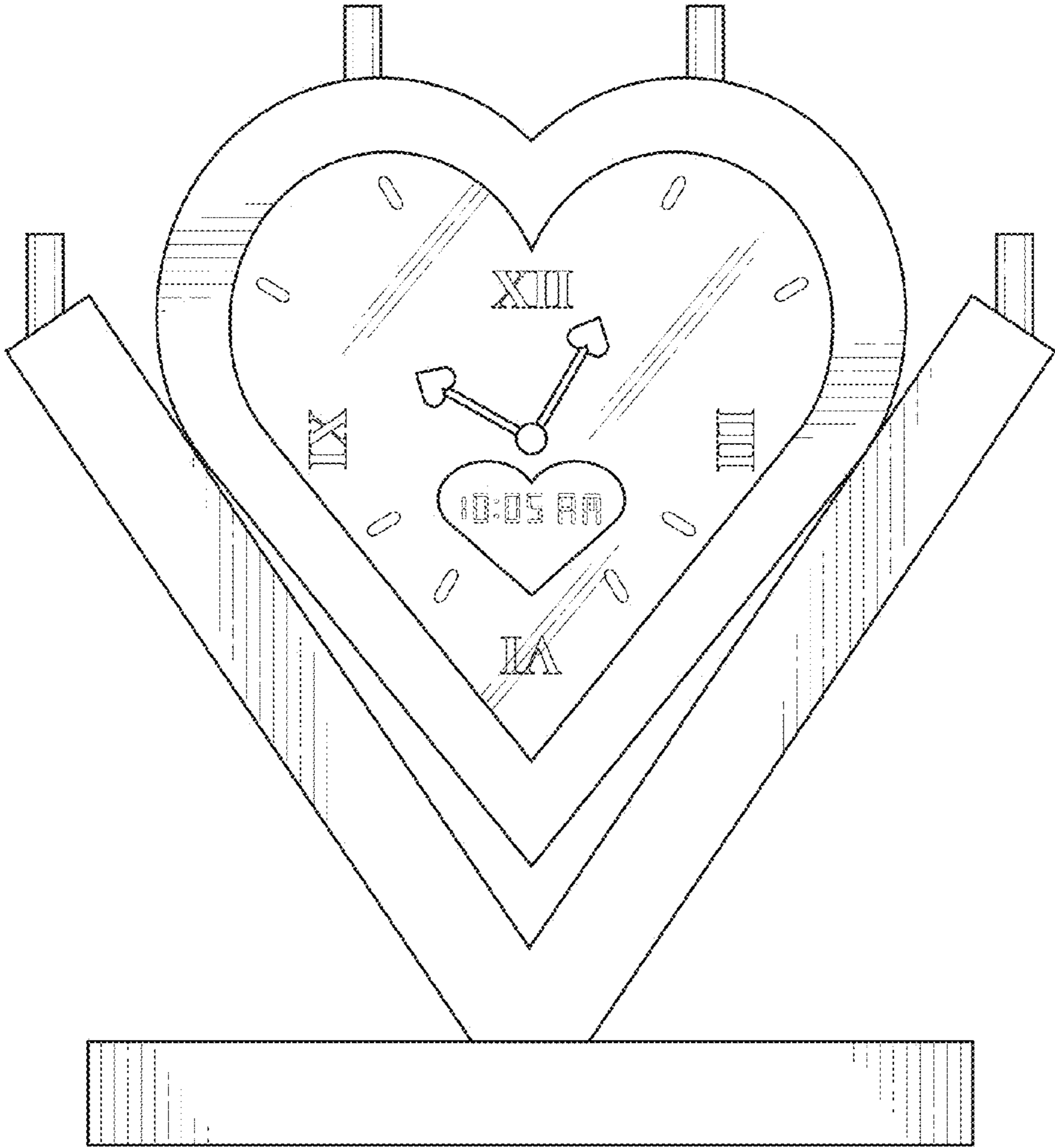


FIG. 2

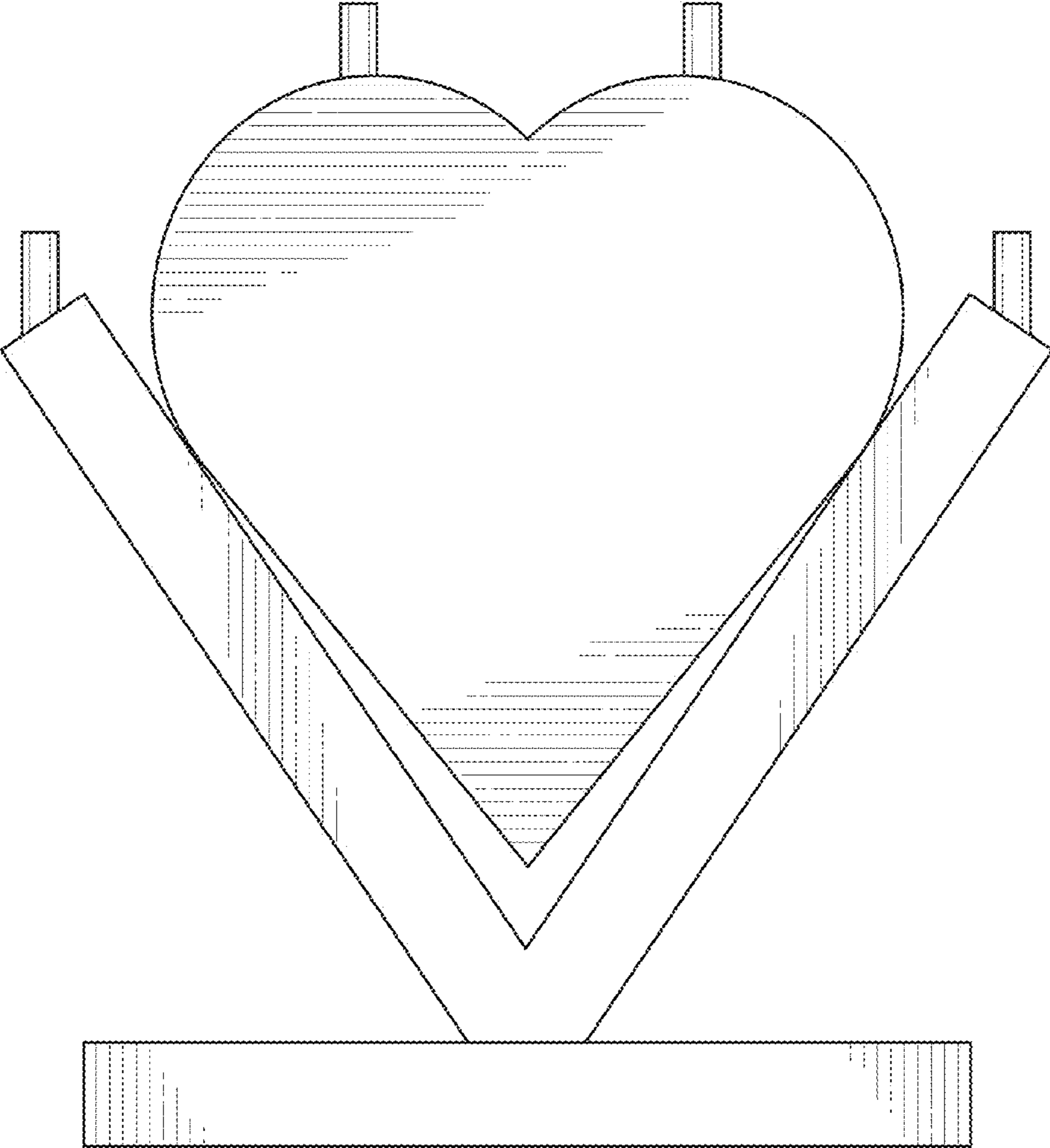


FIG. 3

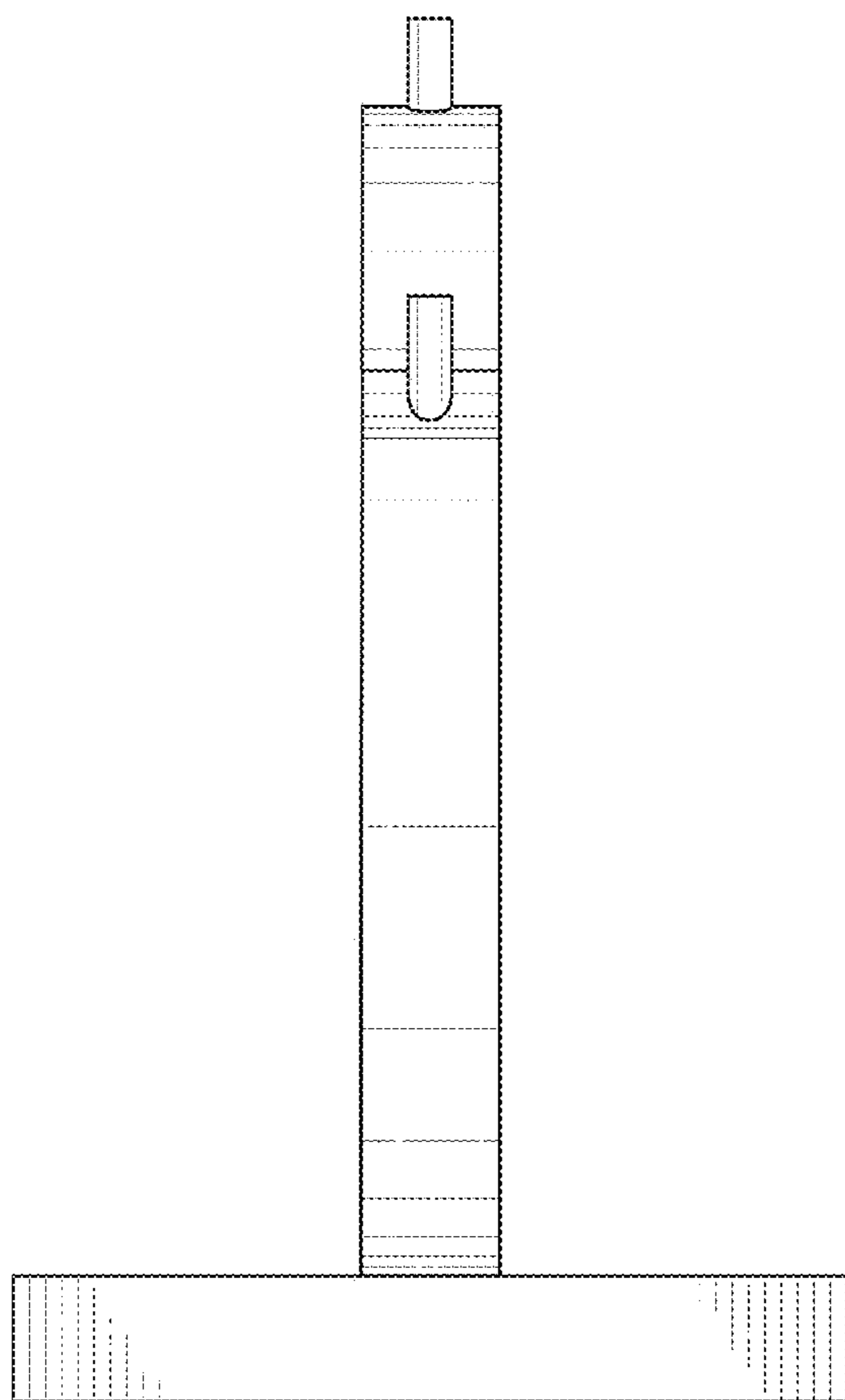


FIG. 4

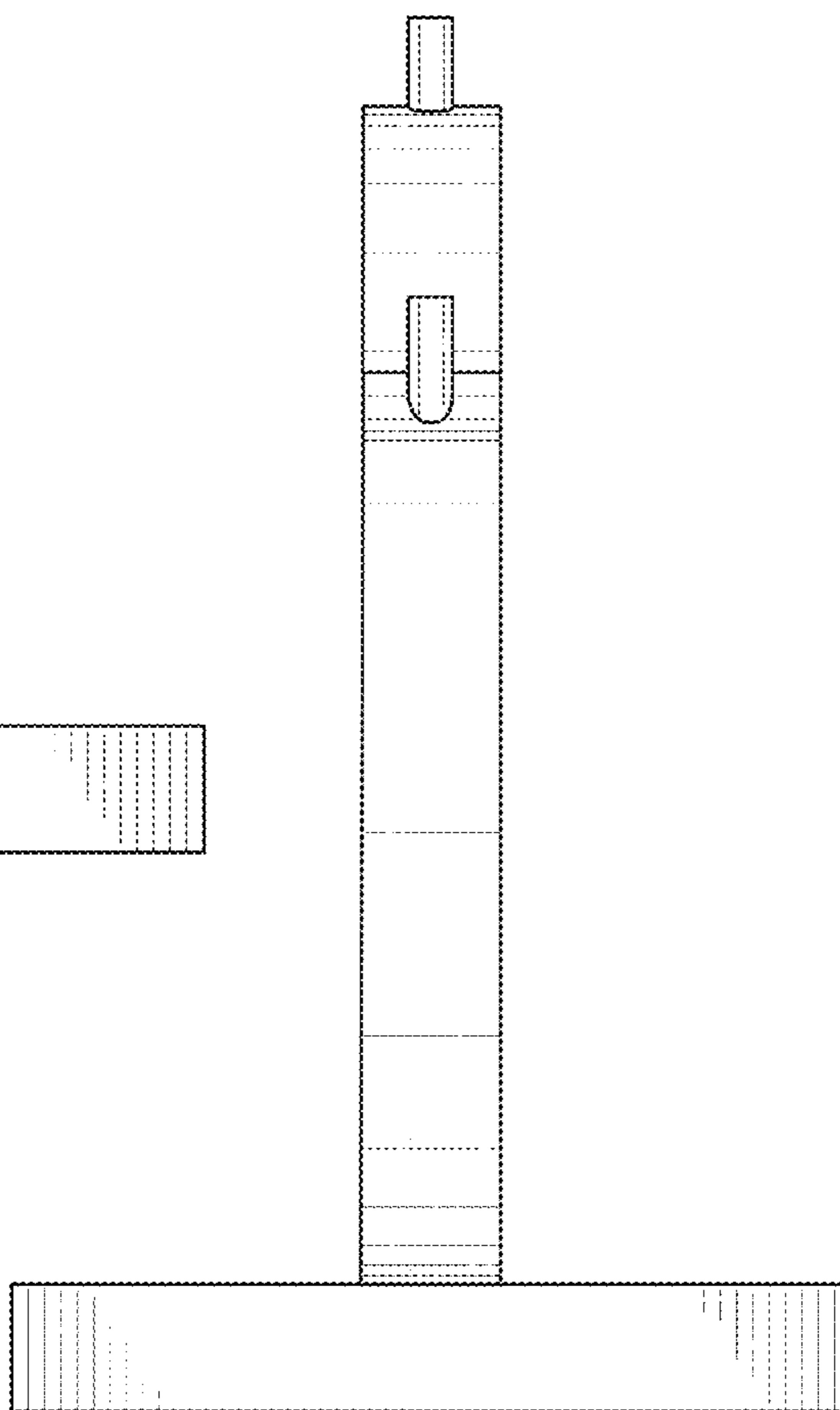


FIG. 5

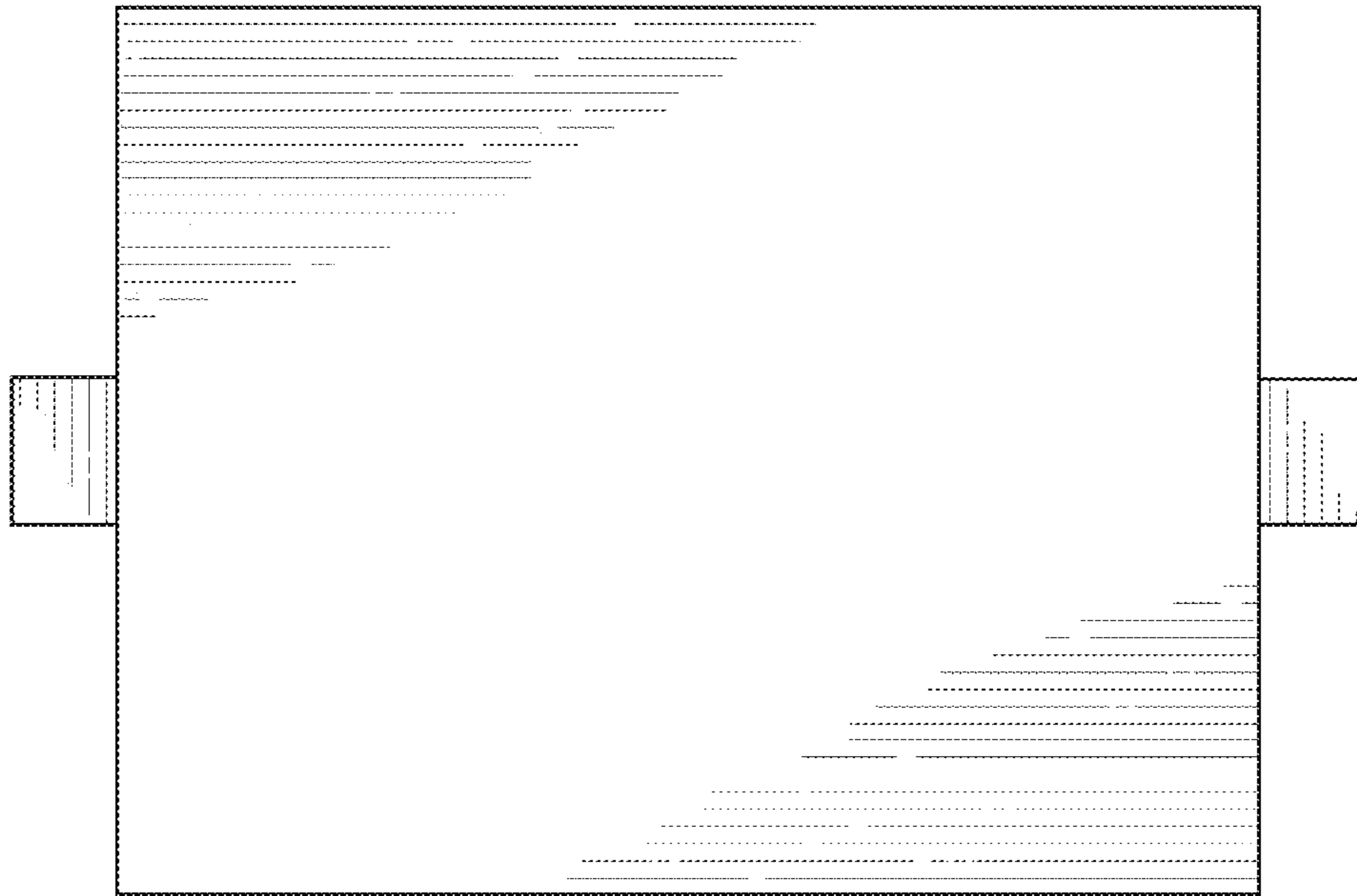


FIG. 6

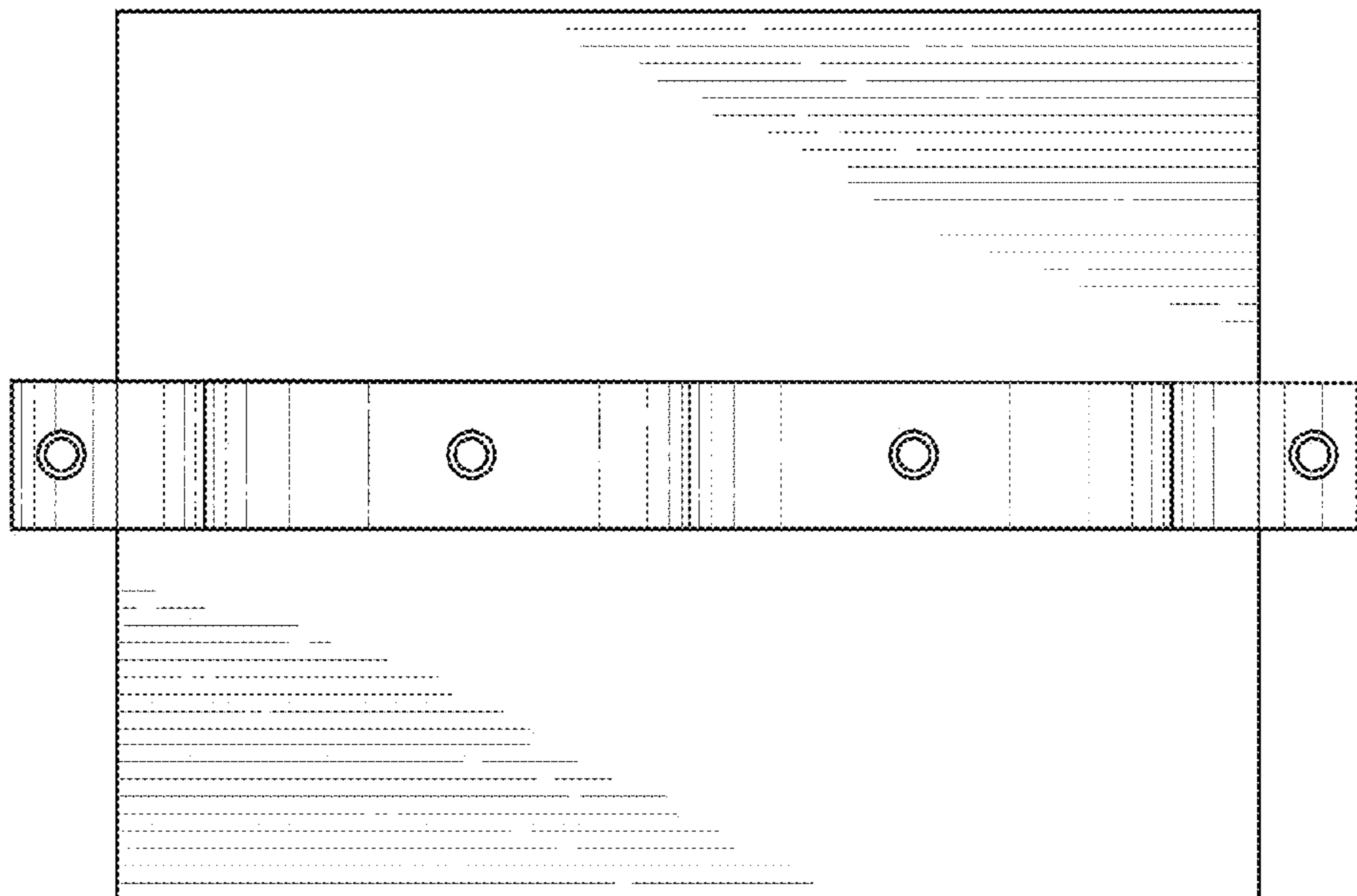


FIG. 7