

US00D760601S

(12) **United States Design Patent**
Bochner et al.

(10) **Patent No.:** **US D760,601 S**

(45) **Date of Patent:** **** Jul. 5, 2016**

(54) **DOUBLE-ENDED BOTTLE**

(71) Applicant: **Duet Bottle Company LLC**, Lawrence, NY (US)

(72) Inventors: **Glenn Perry Bochner**, Cincinnati, OH (US); **Russell Jon Greenberg**, Long Island City, NY (US); **Minchul Hong**, Long Island City, NY (US); **Adam Seth Mirzoeff**, Lawrence, NY (US)

(73) Assignee: **Duet Bottle Company, LLC**, Lawrence, NY (US)

(**) Term: **14 Years**

(21) Appl. No.: **29/498,433**

(22) Filed: **Aug. 4, 2014**

(51) **LOC (10) Cl.** **09-01**

(52) **U.S. Cl.**
USPC **D9/741; D9/542; D9/551; D9/558**

(58) **Field of Classification Search**
USPC D7/396.2, 300.1, 510, 511, 532, 523, D7/531, 513, 608, 596; D9/741, 516, 524, D9/529, 434, 435, 436, 440, 449, 454, 530, D9/537, 539, 542, 549, 551, 558, 564, 574, D9/715, 719, 723, 737, 738, 740, 742, 743, D9/745, 746; 215/209; D24/224
CPC A61J 9/00; A61J 1/2089; A61J 1/00; A61J 1/03; A61L 2202/23; B65D 81/32; B65D 1/04; B65D 1/06
See application file for complete search history.

(56) **References Cited**

U.S. PATENT DOCUMENTS

748,329 A 12/1903 Williamson
1,039,058 A 9/1912 Hoeffel
1,157,206 A 10/1915 Butterfield
1,398,298 A 11/1921 Irvin
D63,816 S * 1/1924 Breeden D9/520

1,634,569 A 7/1926 Bray
1,802,716 A 4/1931 Howcott
2,110,237 A 3/1936 Parsons
2,204,784 A 3/1938 Abrams
D160,876 S 4/1950 Mesi
2,822,436 A 11/1956 Ruderian

(Continued)

OTHER PUBLICATIONS

Newclue, "Double sided 241 bottle", <https://www.newclue.com/deal>, published Jan. 9, 2014, p. 1, accessed Oct. 3, 2014.

(Continued)

Primary Examiner — Dana L Meyrow

Assistant Examiner — Keith Frank

(74) *Attorney, Agent, or Firm* — Wood, Herron & Evans, LLP

(57) **CLAIM**

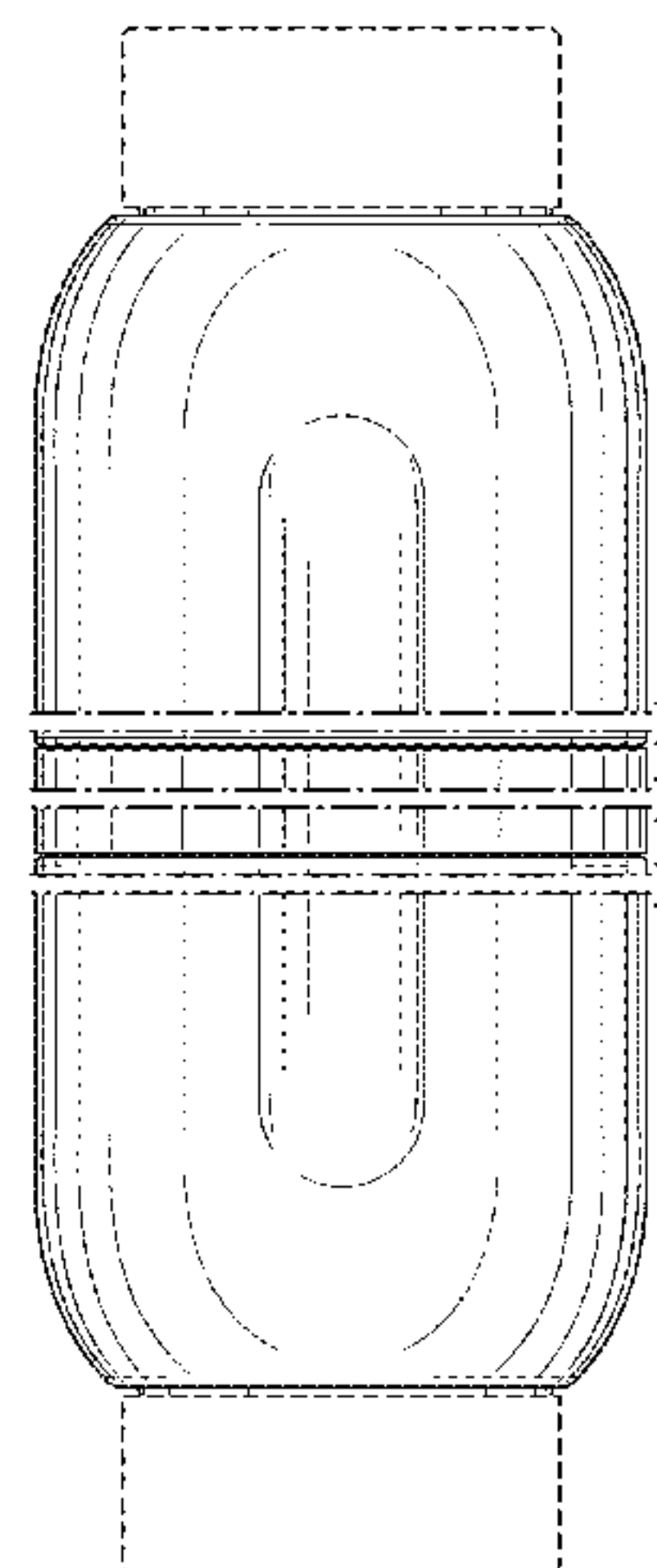
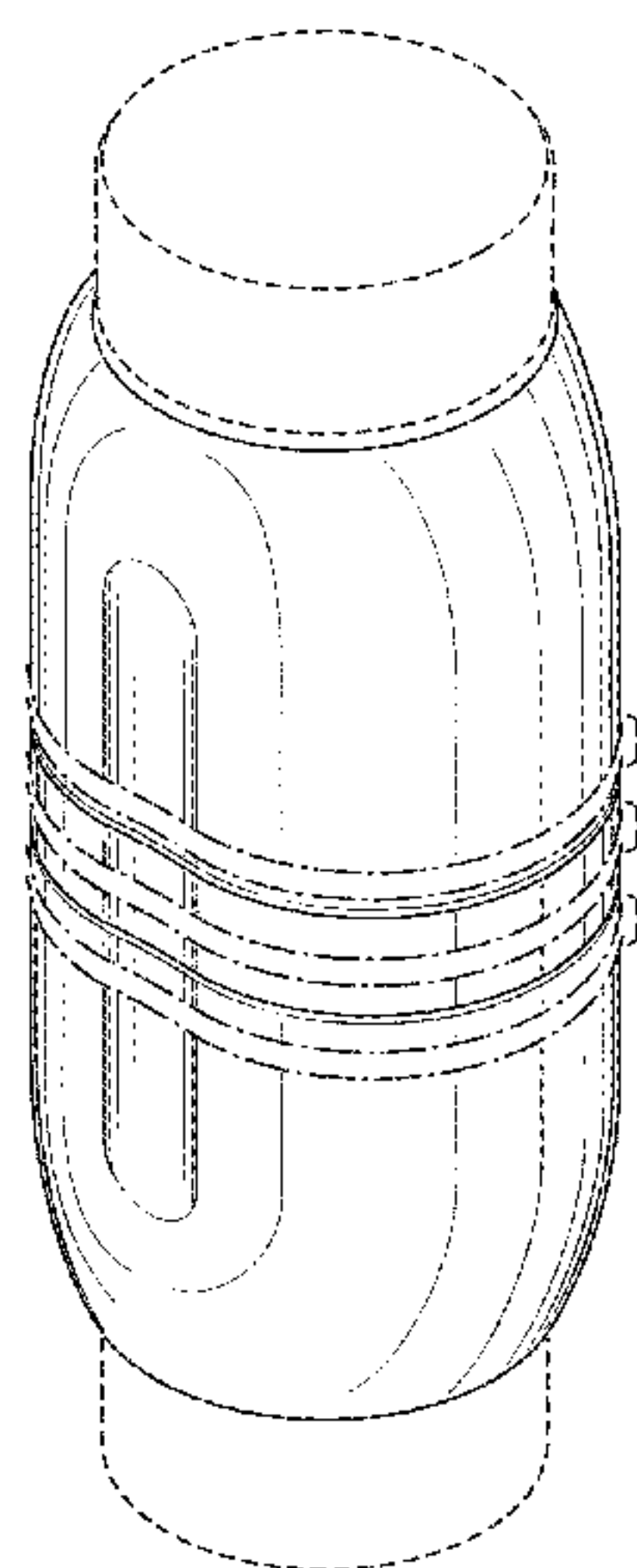
The ornamental design for a double-ended bottle, as shown and described.

DESCRIPTION

FIG. 1 is a front perspective of a double-ended bottle showing our new design;
FIG. 2 is a front elevation view thereof, the rear view being identical thereto.
FIG. 3 is a side elevation view thereof, the other side view being identical thereto; and,
FIG. 4 is a top elevation view thereof, the bottom view being identical thereto.

The dash-dash broken lines in FIGS. 1-4 depict portions of the double-ended bottle in which the design is embodied that form no part of the claimed design. The dash-dot-dash broken lines enclosed in brackets in FIGS. 1-3 depict a symbolic break in the double-ended bottle length and any portion of the article between the break lines forms no part of the claimed design.

1 Claim, 2 Drawing Sheets



(56)

References Cited

U.S. PATENT DOCUMENTS

D189,373 S * 11/1960 Holtze 215/383
 D189,374 S 11/1960 Harris
 D189,507 S * 12/1960 Snyder D9/542
 3,052,246 A 4/1961 Beard
 3,072,132 A 1/1963 Middleton
 D195,698 S * 7/1963 Heintze D9/542
 3,143,205 A 8/1964 Ruderian
 D199,202 S * 9/1964 Platte D9/542
 D203,229 S * 12/1965 Snajna D9/542
 3,327,881 A 6/1967 Maier
 3,394,209 A 7/1968 Cheney
 3,465,905 A 9/1969 Schottanes
 3,485,416 A 12/1969 Fohrman
 3,684,123 A 8/1972 Bridges
 3,744,622 A 7/1973 Weaver
 3,862,698 A 1/1975 Hafele
 3,934,747 A 1/1976 Needt
 3,981,409 A 9/1976 Flanders
 4,078,686 A 3/1978 Karesh
 D248,812 S 8/1978 Eiserman
 D249,866 S * 10/1978 Felix D9/571
 4,308,952 A 1/1982 Paulucci
 4,444,324 A 4/1984 Grenell
 D277,361 S * 1/1985 Tada D9/741
 4,512,471 A 4/1985 Kaster et al.
 4,598,832 A 7/1986 Alonso
 4,603,784 A 8/1986 Chang
 4,616,750 A 10/1986 Nouwen
 D288,527 S 3/1987 Maguire
 D293,768 S 1/1988 Mantani
 4,892,206 A * 1/1990 Perrin A45D 34/00
 215/12.1
 4,928,839 A 5/1990 Kruelskie
 D310,632 S * 9/1990 Hutton D9/556
 5,197,658 A 3/1993 Sprunger
 5,279,841 A 1/1994 Yu
 D350,460 S 9/1994 Picozza et al.
 D351,321 S 10/1994 Steppe, Sr.
 5,417,327 A 5/1995 Saumure
 5,417,329 A 5/1995 Whitman
 D360,338 S 7/1995 Westgerdes
 D363,858 S 11/1995 Sweeney
 5,499,738 A 3/1996 Burleigh
 5,630,523 A 5/1997 Wright
 D387,664 S * 12/1997 Bright D9/520
 5,740,914 A 4/1998 Herzog
 D397,911 S 9/1998 Waldmann
 5,803,259 A 9/1998 Riedel
 5,803,294 A 9/1998 Bello et al.
 5,829,607 A * 11/1998 Ibrahim B65D 1/0223
 215/228
 5,884,796 A 3/1999 Hallmark
 5,887,740 A 3/1999 Hong
 D415,319 S 10/1999 Bakic
 D415,963 S * 11/1999 Kapper D9/503
 6,092,717 A 7/2000 Lowry
 6,138,687 A 10/2000 Sheffler et al.
 6,196,412 B1 3/2001 Cattell
 D449,224 S 10/2001 Kaufman
 D458,846 S 6/2002 Witt, Sr.
 6,405,675 B1 6/2002 Mills
 6,415,940 B1 7/2002 Brabson, II
 6,439,416 B1 8/2002 Hawkins
 6,530,301 B1 3/2003 Seitz et al.
 D500,247 S * 12/2004 Harrison D9/746
 6,971,521 B2 12/2005 Pinyot
 6,986,433 B2 1/2006 Colford et al.
 D524,159 S * 7/2006 Mooney D9/516
 7,287,656 B2 10/2007 Guilford, III et al.
 D578,394 S * 10/2008 Shurtleff D9/516
 7,571,829 B2 8/2009 Gersovitz

D602,781 S 10/2009 Balkum
 D605,522 S 12/2009 Jaeger
 D620,316 S * 7/2010 McKinney D7/509
 D640,935 S 7/2011 Davies et al.
 7,980,405 B2 7/2011 An
 D647,369 S 10/2011 Bryman et al.
 D652,735 S * 1/2012 Chen D9/542
 8,141,741 B2 3/2012 Metzger et al.
 D657,247 S 4/2012 Nemeth et al.
 D658,007 S 4/2012 George
 D663,202 S * 7/2012 Biesecker D9/449
 8,225,955 B2 7/2012 Moskow et al.
 D673,048 S 12/2012 Waite
 D674,243 S 1/2013 Zimmer
 8,342,346 B2 1/2013 Rances
 D675,481 S 2/2013 Enghard
 D688,569 S * 8/2013 Weeston D9/727
 D689,375 S 9/2013 Garner
 8,573,425 B1 11/2013 Park
 8,596,480 B2 12/2013 Arjomand
 8,684,184 B2 4/2014 Moskow et al.
 D705,288 S * 5/2014 Zimmerman D15/150
 8,727,157 B2 5/2014 Rances
 D708,961 S * 7/2014 Jung D9/723
 8,844,758 B1 9/2014 Kummer
 D715,650 S * 10/2014 Hussain D9/516
 D715,651 S * 10/2014 Allen D9/516
 8,915,395 B2 12/2014 Gersovitz
 8,929,310 B2 1/2015 Faurie et al.
 D724,896 S * 3/2015 Williams D7/511
 D736,634 S * 8/2015 Bisbikis D9/449
 2001/0040164 A1 11/2001 Cleator
 2005/0139500 A1 6/2005 Smithers
 2005/0173021 A1 * 8/2005 Muto B65D 1/06
 141/330
 2005/0218102 A1 10/2005 Guilford, III et al.
 2005/0224442 A1 * 10/2005 White B65D 1/04
 215/6
 2008/0164253 A1 7/2008 Truong
 2009/0223999 A1 9/2009 Hill et al.
 2009/0261098 A1 * 10/2009 Coffey B65D 1/06
 220/200
 2010/0065557 A1 3/2010 Gersovitz
 2010/0078436 A1 4/2010 Winchell et al.
 2010/0200438 A1 8/2010 Davies
 2010/0200582 A1 8/2010 Hammerle et al.
 2011/0180508 A1 * 7/2011 Fong A61J 9/04
 215/11.5
 2011/0284550 A1 11/2011 Gersovitz
 2012/0053555 A1 * 3/2012 Ariagno A61J 1/2089
 604/413
 2012/0085674 A1 4/2012 Kemper et al.
 2012/0153222 A1 6/2012 Kroeowski
 2012/0282007 A1 11/2012 Moskow et al.
 2013/0082060 A1 4/2013 Dufner
 2013/0111726 A1 5/2013 Krieger
 2013/0119056 A1 5/2013 Jacobson
 2013/0134161 A1 5/2013 Fogel
 2013/0295238 A1 * 11/2013 Cooksey B65D 21/0224
 426/115
 2014/0001064 A1 * 1/2014 Aloia B65D 81/3211
 206/221
 2014/0003866 A1 1/2014 Leibel

OTHER PUBLICATIONS

Cadcrowd, "Dual Sided Shampoo/Conditioner bottle", <https://www.cadcrowd.com/contest>, published 2013, pp. 1-11, accessed Oct. 3, 2014.
 International Search Report and Written Opinion issued Nov. 26, 2015 in connection with corresponding application No. PCT/US 2015/039188.

* cited by examiner

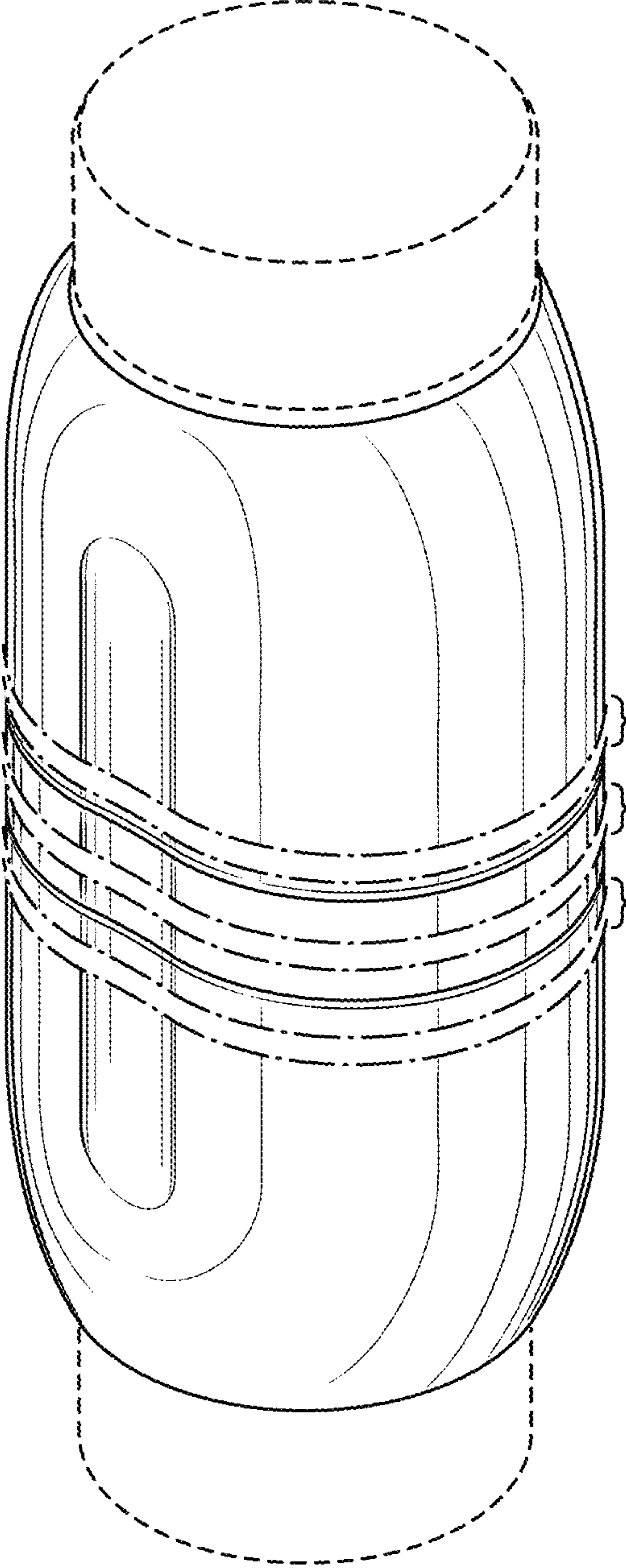


FIG. 1

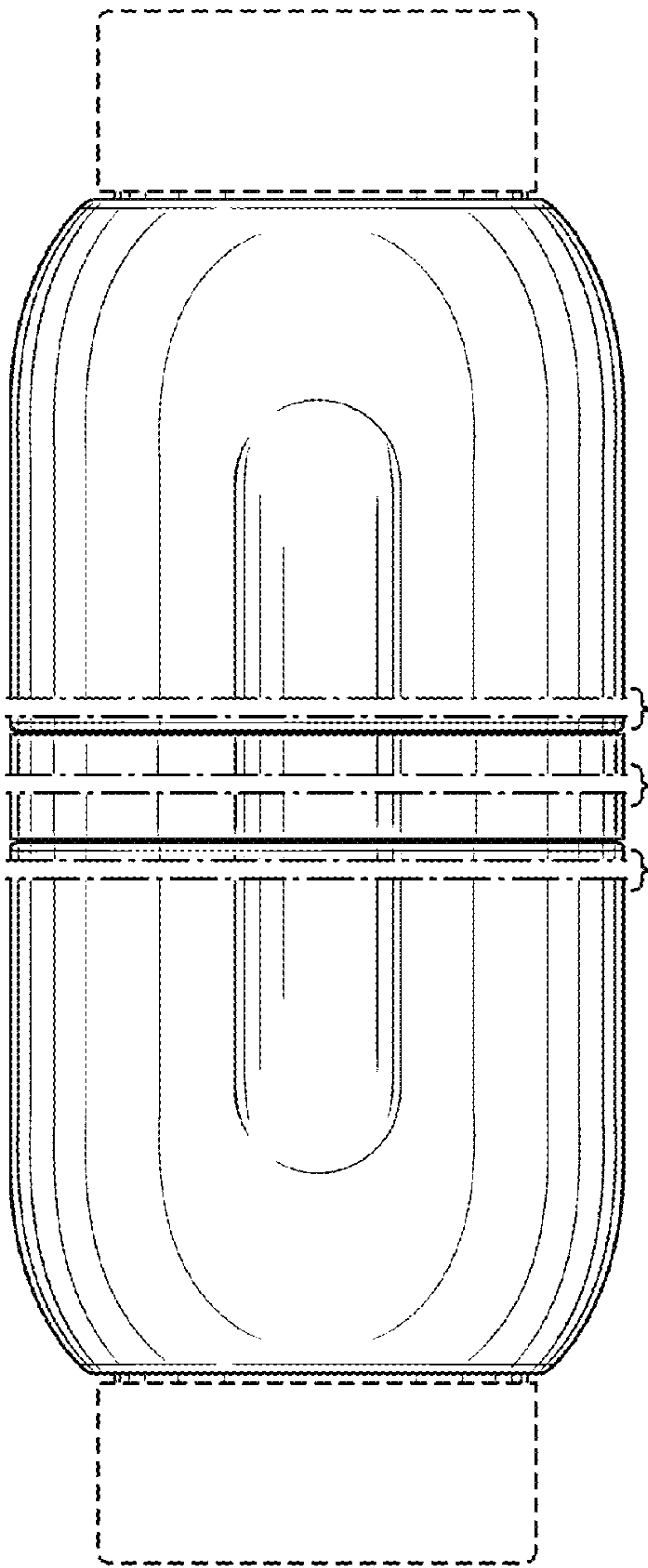


FIG. 2

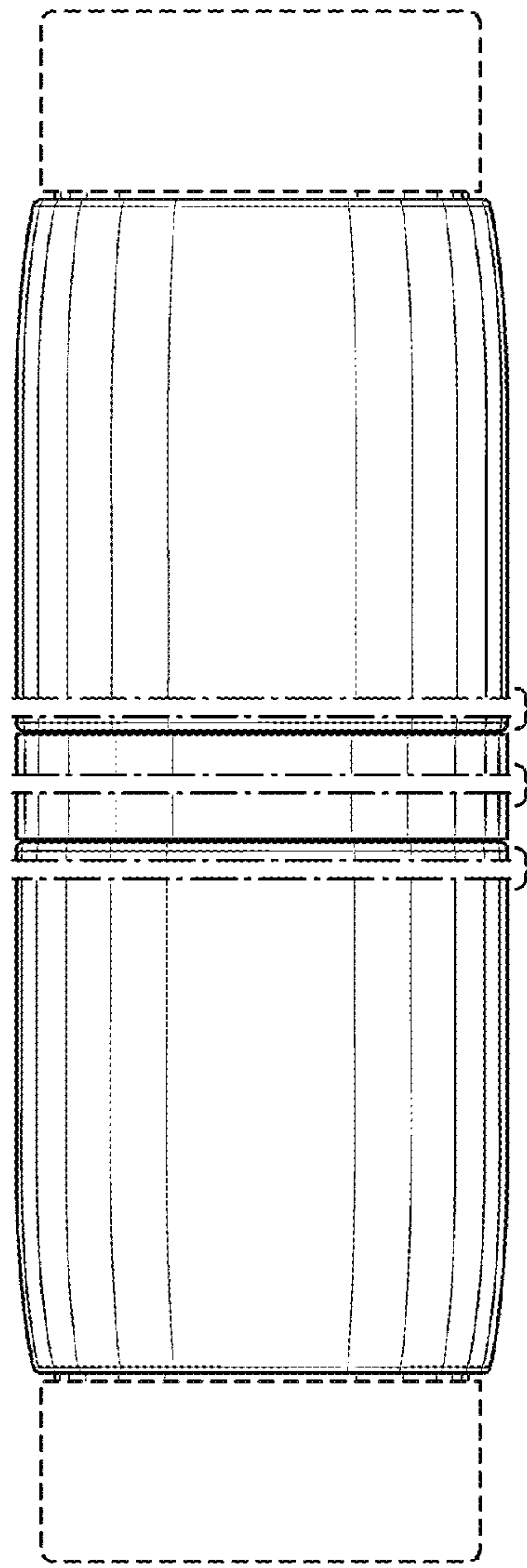


FIG. 3

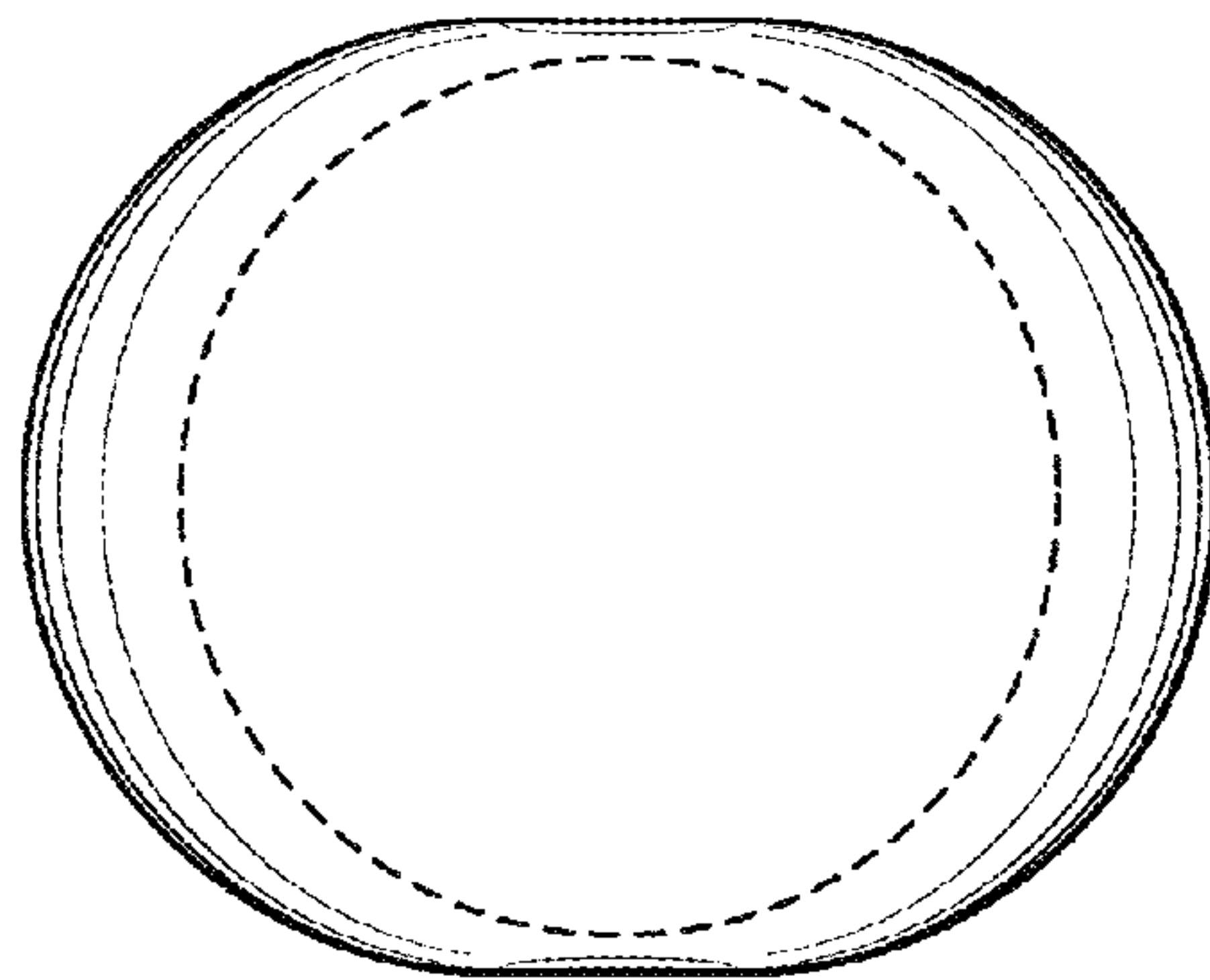


FIG. 4