



US00D760589S

(12) **United States Design Patent**
Smith

(10) **Patent No.:** **US D760,589 S**
(45) **Date of Patent:** **** Jul. 5, 2016**

(54) **BOTTLE**

(71) Applicant: **Robert Smith**, Ventura, CA (US)

(72) Inventor: **Robert Smith**, Ventura, CA (US)

(73) Assignee: **TSI Manufacturing, LLC**, Bend, OR (US)

(**) Term: **14 Years**

(21) Appl. No.: **29/522,888**

(22) Filed: **Apr. 3, 2015**

(51) **LOC (10) Cl.** **09-99**

(52) **U.S. Cl.**
USPC **D9/499**; D9/452

(58) **Field of Classification Search**

USPC D7/300.1, 510, 511; D9/434-436, 440, D9/443-445, 447-450, 452-454, 499, 516, D9/519, 520, 781; 215/382; 222/401, 480, 222/484

CPC B65D 83/38; B65D 1/0223; B65D 1/0207
See application file for complete search history.

(56) **References Cited**

U.S. PATENT DOCUMENTS

D102,462 S *	12/1936	Wilmet	D9/453
D143,757 S	2/1946	Reinecke		
2,541,065 A	2/1951	Jabour		
D209,951 S	1/1968	Smith		
D225,975 S	1/1973	Danjczek		
D230,470 S	2/1974	Frohn		
D292,380 S *	10/1987	Smith	D9/435
D306,406 S	3/1990	Pierce et al.		
D307,112 S	4/1990	Huck		
D311,240 S	10/1990	Born		
D327,528 S	6/1992	Sears et al.		
D347,047 S	5/1994	Wood		

D361,265 S *	8/1995	Doxey	D9/435
D408,284 S *	4/1999	Ekkert	D9/453
D422,217 S *	4/2000	Gundlach	D9/452
D431,279 S	9/2000	Spriegel		
D443,513 S *	6/2001	Goettner	D9/452
D533,783 S	12/2006	Kliger et al.		
D541,046 S	4/2007	Roesler		
D560,120 S *	1/2008	Maravich	D9/453
D611,822 S	3/2010	Rajani et al.		
D616,745 S *	6/2010	Stull	D9/452
D631,349 S *	1/2011	Arnell	D9/452
D651,854 S *	1/2012	Cabados	D7/510
D670,166 S *	11/2012	Lavender	D9/452
D679,591 S *	4/2013	Stull, Sr.	D9/452
D693,222 S *	11/2013	Ramsey	D9/453
D699,113 S *	2/2014	Haner	D9/516
D722,503 S	2/2015	Smith		
D726,006 S *	4/2015	Rapparini	D9/434
D739,245 S *	9/2015	Dachs	D9/516

* cited by examiner

Primary Examiner — Robert M Spear

Assistant Examiner — Darcey E Heflin

(74) *Attorney, Agent, or Firm* — Klarquist Sparkman, LLP

(57) **CLAIM**

I claim the ornamental design for a bottle, as shown and described.

DESCRIPTION

FIG. 1 is a bottom, side perspective view of a bottle;
FIG. 2 is a side elevation view thereof;
FIG. 3 is a top plan view thereof;
FIG. 4 is a bottom plan view thereof;
FIG. 5 is an exploded top, side perspective view thereof; and,
FIG. 6 is an exploded bottom, side perspective view thereof.
In the drawings, the broken lines depict environmental subject matter only that forms no part of the claim.

1 Claim, 2 Drawing Sheets

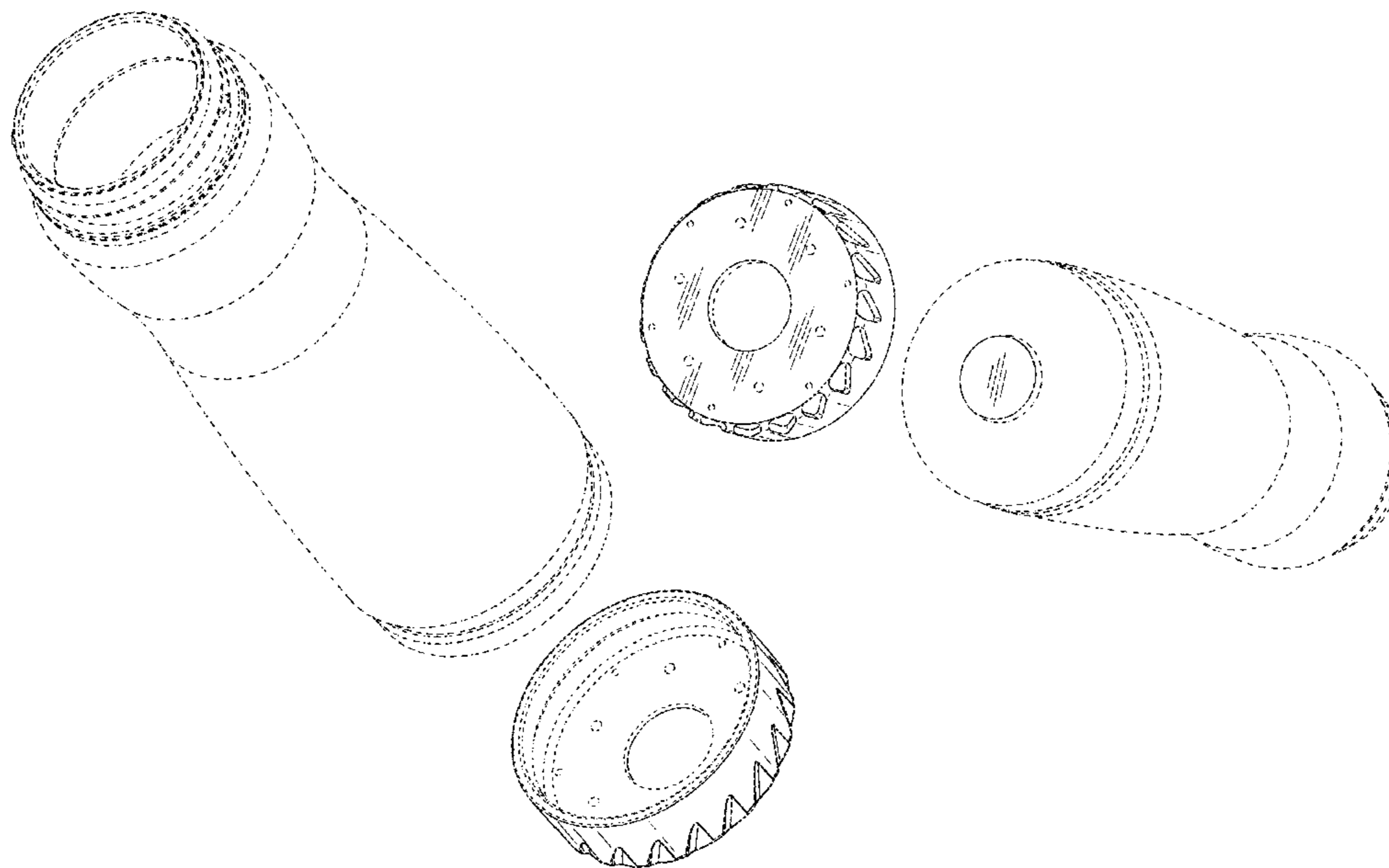


FIG. 1

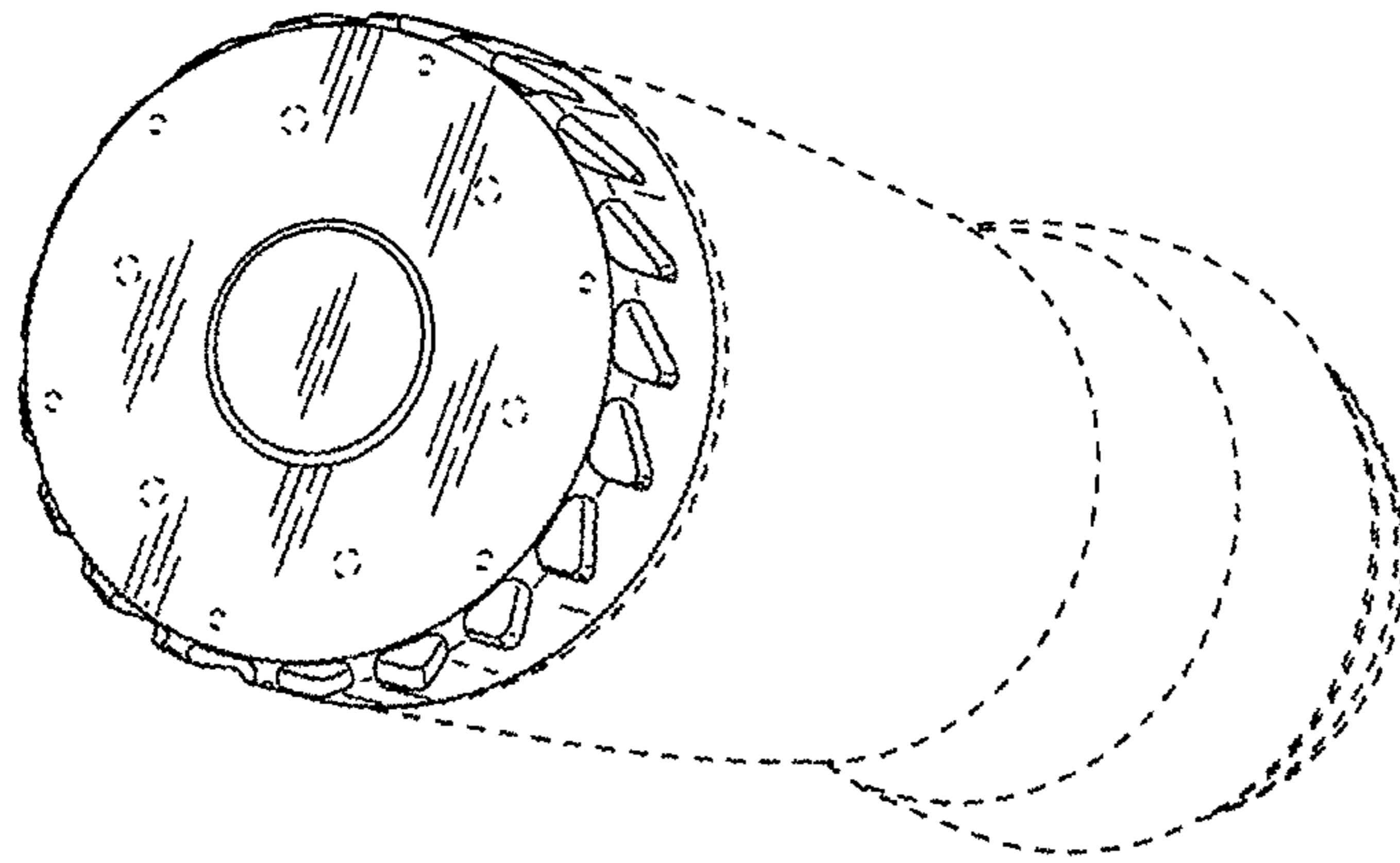


FIG. 2

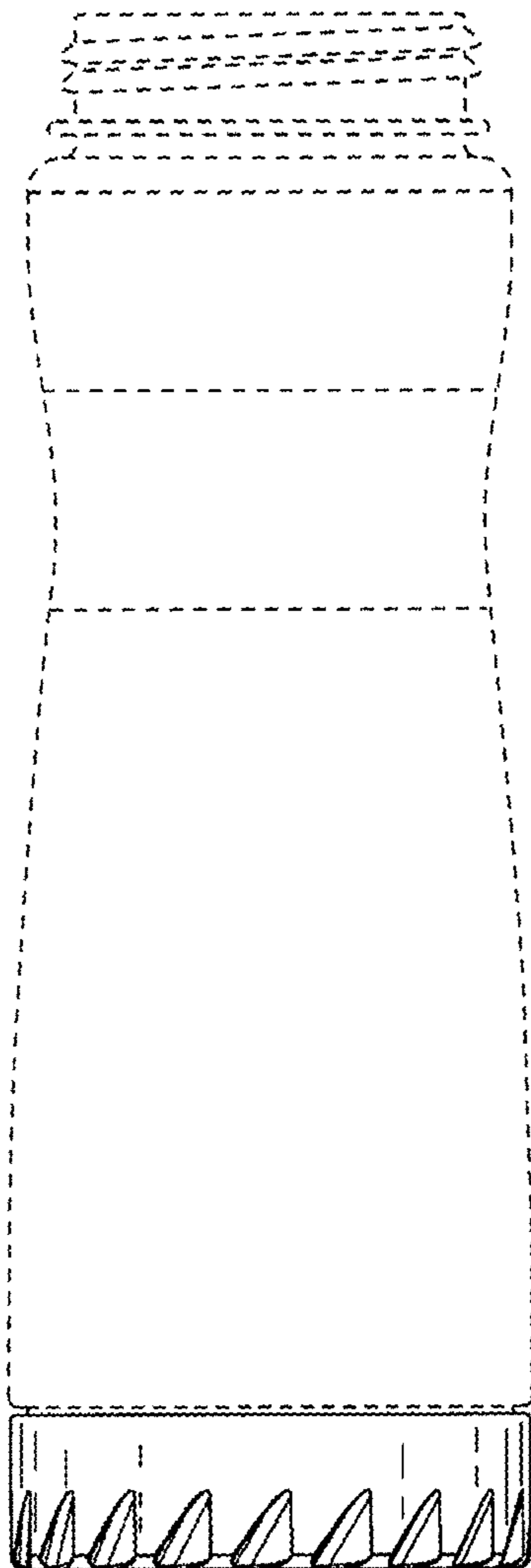


FIG. 3

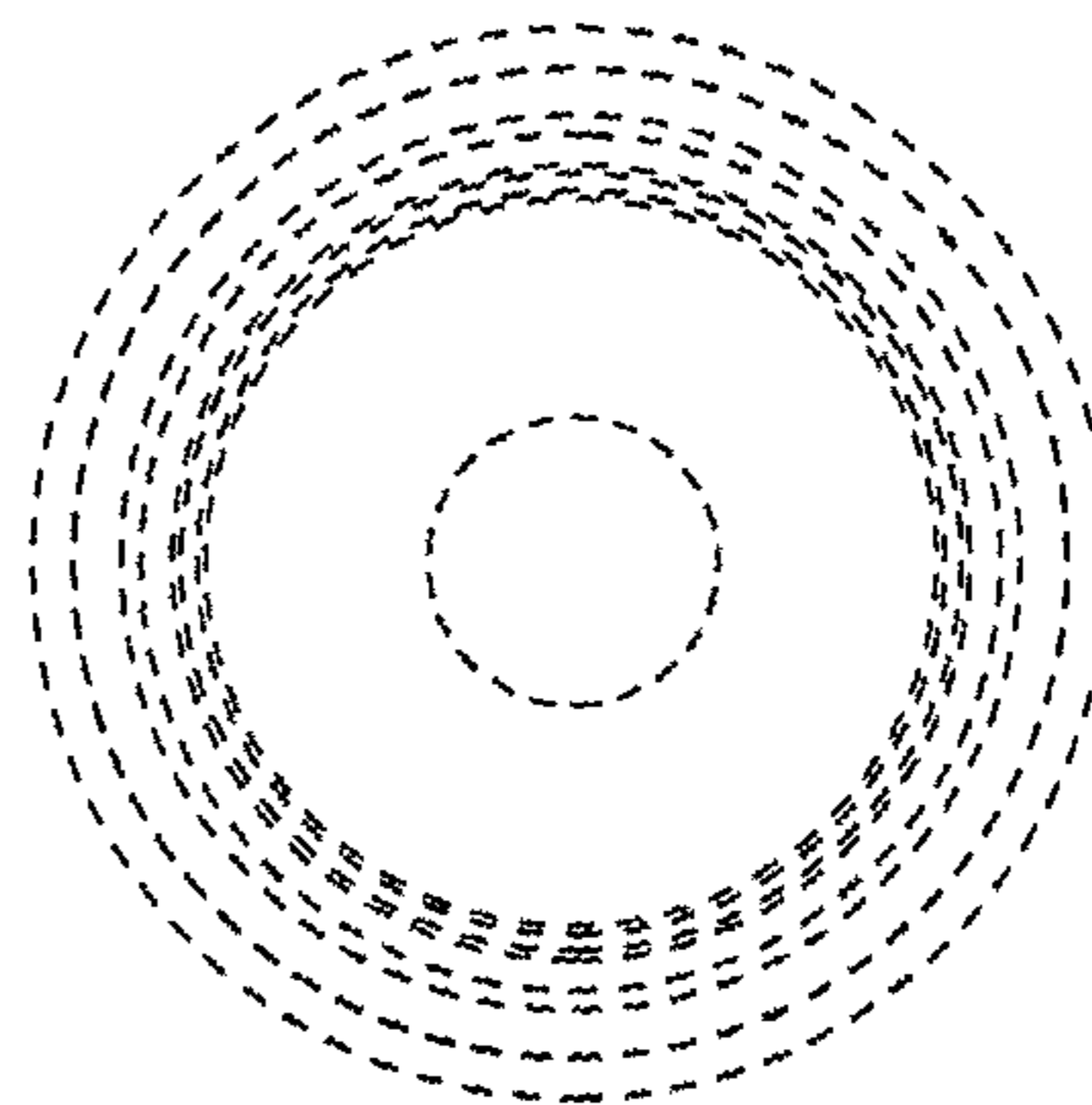


FIG. 4

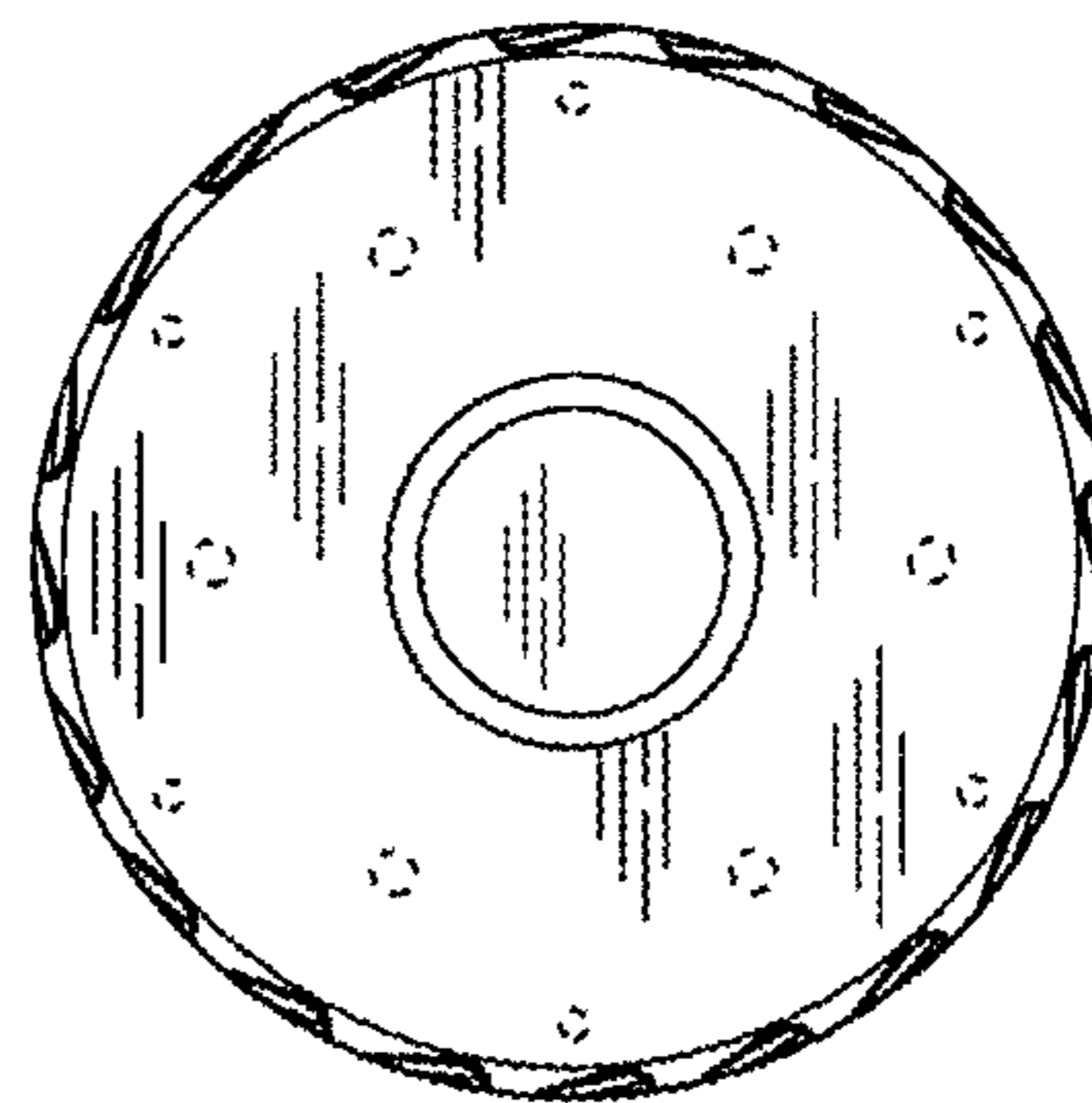


FIG. 5

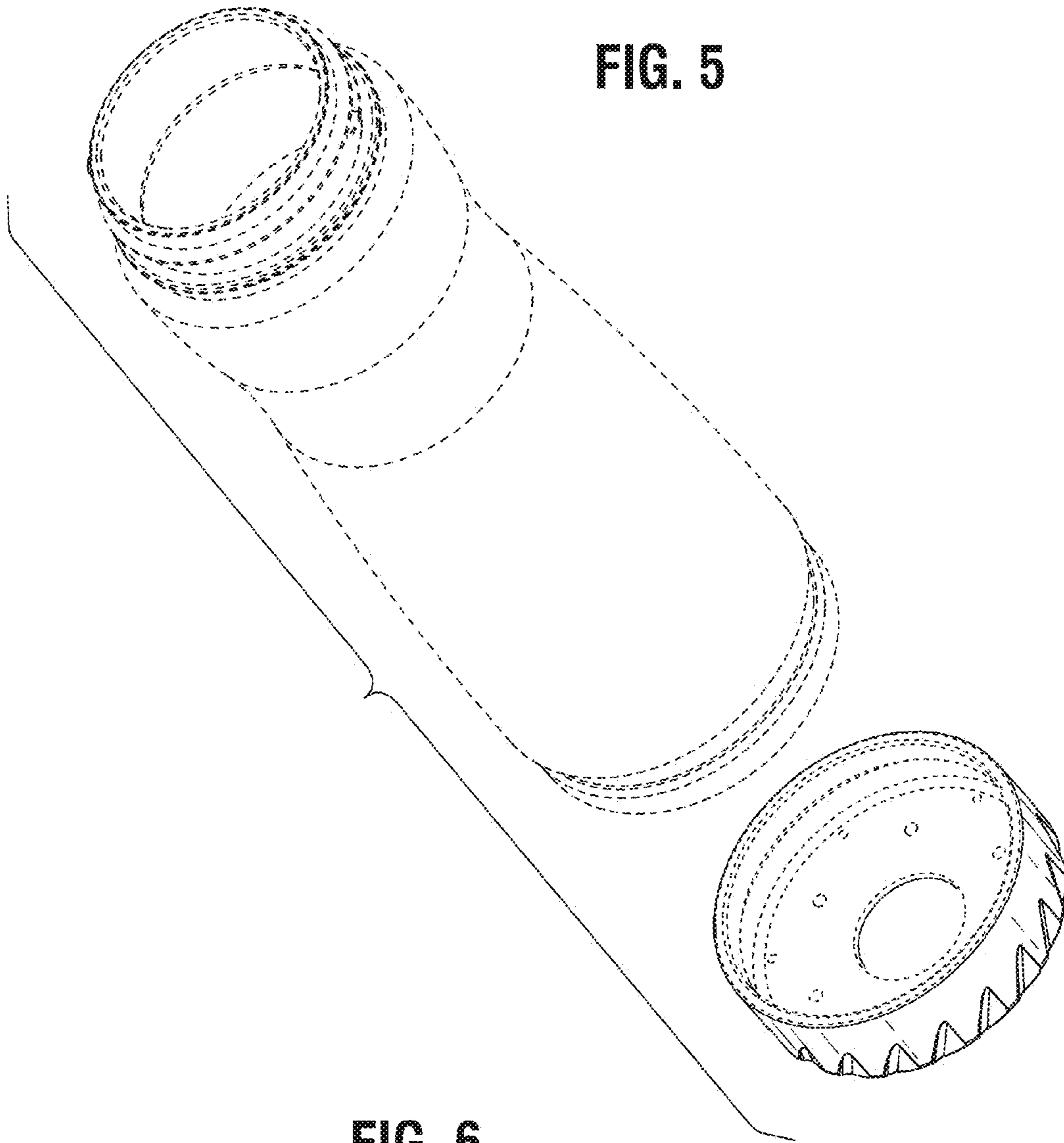


FIG. 6

