

US00D760588S

(12) **United States Design Patent**
Cheng

(10) **Patent No.:** **US D760,588 S**
(45) **Date of Patent:** **** Jul. 5, 2016**

(54) **PACKAGING BOX FOR MOBILE PHONE**

(71) Applicant: **Tun-Chou Cheng**, Yuanli Township,
Miaoli County (TW)

(72) Inventor: **Tun-Chou Cheng**, Yuanli Township,
Miaoli County (TW)

(**) Term: **14 Years**

(21) Appl. No.: **29/509,307**

(22) Filed: **Nov. 17, 2014**

(51) **LOC (10) Cl.** **09-03**

(52) **U.S. Cl.**
USPC **D9/456**; D9/414; D9/418; D9/430;
D9/432; D9/433

(58) **Field of Classification Search**

USPC D3/202, 273, 275, 294; D7/300, 300.1,
D7/316, 317, 387, 391, 392, 392.1, 393,
D7/396.2, 397, 398, 509, 510, 511, 531,
D7/538, 629, 703, 900; D9/414-418, 423,
D9/435, 443, 448, 449, 450, 439, 457, 652,
D9/685, 686, 701, 722, 732, 739, 756,
D9/759; D19/1-12, 20-34, 96, 97, 106,
D19/190, 191; D20/27, 40, 42, 43;
D23/226, 368; D24/27, 34, 99, 107;
D27/173, 174; D14/248, 251, 253;
224/191; 206/31, 38, 45, 223, 581
CPC B60R 11/0252; B60R 11/0241; A45F
2200/0516

See application file for complete search history.

(56) **References Cited**

U.S. PATENT DOCUMENTS

D221,071 S * 7/1971 Jolin D9/456
D283,282 S * 4/1986 Haske D6/527
D308,784 S * 6/1990 Liptak D6/553
D360,358 S * 7/1995 Steinfels, III D9/415
D418,878 S * 1/2000 Donahue D20/10

(Continued)

OTHER PUBLICATIONS

Acrylic Cell Phone Display Stand: Announced Jun. 13, 2015
[online], site visited Dec. 15, 2015. Available from Internet URL:
<http://www.displays2go.com/P-5285/Smart-Phone-Holder-Acrylic-Desk-Accessory?st=Category&sid=2240>.*

(Continued)

Primary Examiner — Sheryl Lane

Assistant Examiner — Catherine Posthauer

(74) *Attorney, Agent, or Firm* — Alan D. Kamrath; Kamrath
IP Lawfirm, P.A.

(57) **CLAIM**

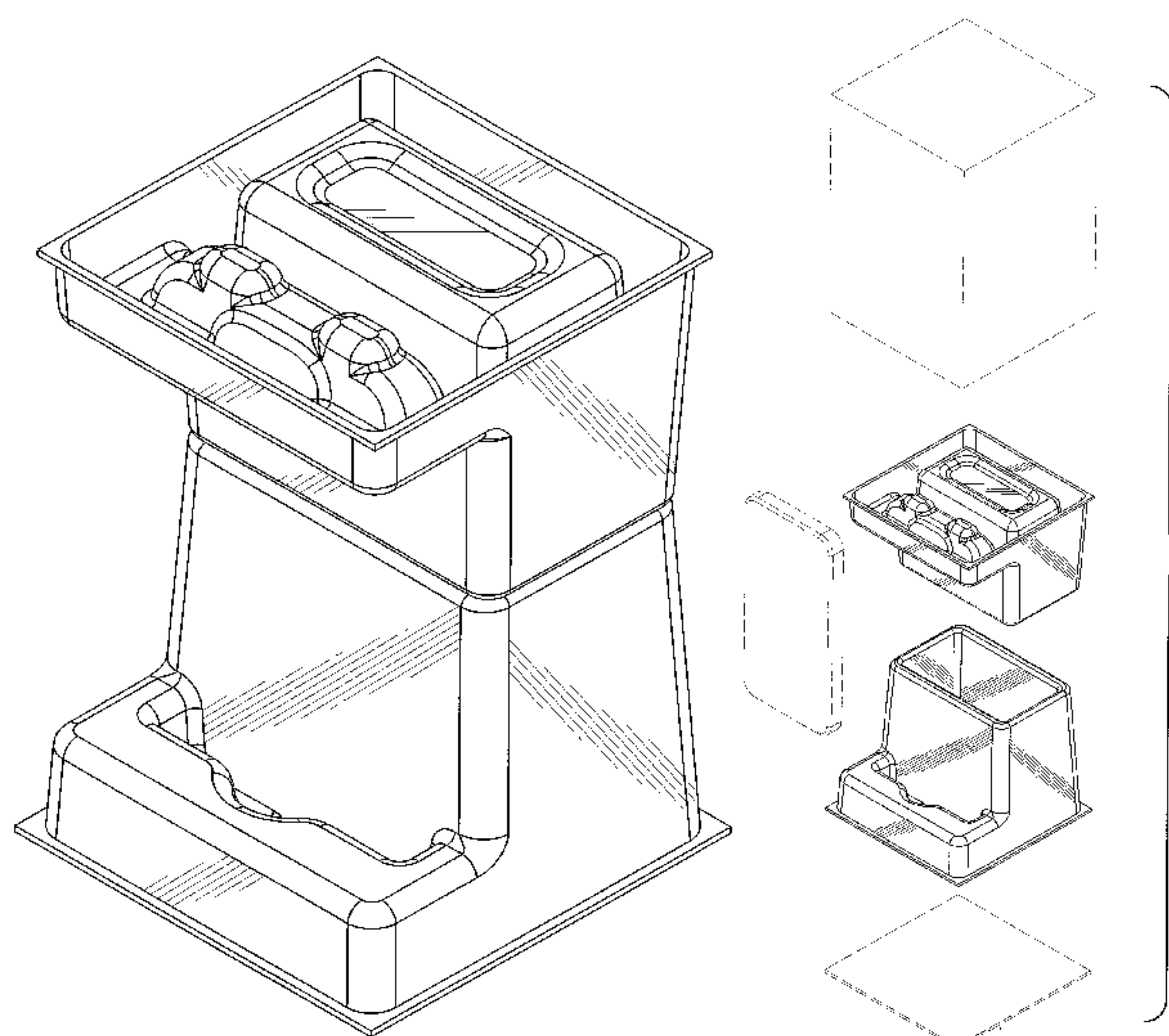
The ornamental design for packaging box for mobile phone,
as shown and described.

DESCRIPTION

FIG. 1 is a perspective view of the packaging box for mobile
phone showing my new design;
FIG. 2 is a front elevation view thereof;
FIG. 3 is a rear elevation view thereof;
FIG. 4 is a left side elevation view thereof;
FIG. 5 is a right side elevation view thereof;
FIG. 6 is a top plan view thereof;
FIG. 7 is a bottom plan view thereof;
FIG. 8 is a perspective view of the upper portion thereof,
shown independent of the bottom portion and turned down-
side up for clarity of details;
FIG. 9 is a perspective view of the lower portion, shown
independent of the top portion for clarity of details;
FIG. 10 is an exploded perspective view of the claimed design
shown with a usage condition forming no part of the claimed
design;
FIG. 11 is a perspective reference view thereof, in another
usage condition forming no part of the claimed design; and,
FIG. 12 is a right side view thereof.

The broken lines are shown for the purpose of illustrating
environmental subject matter and parts of the article that form
no part of the claimed design.

1 Claim, 9 Drawing Sheets



(56)

References Cited

U.S. PATENT DOCUMENTS

6,311,881 B1 * 11/2001 Kamiya A45F 5/02
224/195
D580,993 S * 11/2008 Mailing D21/396
D605,645 S * 12/2009 Kettula D14/253
D613,945 S * 4/2010 Molina D3/294
D661,188 S * 6/2012 Fahy D9/456
D666,090 S * 8/2012 DeBusk D9/433
D684,457 S * 6/2013 Salow D9/415
8,979,060 B1 * 3/2015 Olsson F16M 11/041
248/309.1
D729,544 S * 5/2015 Wengreen D6/567
D737,138 S * 8/2015 Ferman D9/435
D742,215 S * 11/2015 Deshpande D9/415
D743,955 S * 11/2015 Wu D14/253
2008/0234013 A1 * 9/2008 Bury B60R 11/0241
455/575.1

2009/0117946 A1 * 5/2009 Tomasini H04M 1/04
455/569.2
2011/0304963 A1 * 12/2011 Luksik B60R 11/0241
361/679.01
2014/0170977 A1 * 6/2014 Ryan B60R 11/0241
455/41.1

OTHER PUBLICATIONS

Cell Phone Charging Station_Socket Pocket: Announced Aug. 14, 2015 [online], site visited Dec. 15, 2015. Available from Internet URL: <http://www.organizeit.com/cell-phone-charging-station-socket-pocket.asp>.
Packaging for Mobile Phone Google Image Search: Site visited Dec. 15, 2015. Available from Internet URL: https://www.google.com/search?q=Packaging+box+for+mobile+phone&biw=2021&bih=1163&source=lnms&tbm=isch&sa=X&ved=0ahUKEwj_646N197JAhUS6GMKHafIB10Q_AUIBigB&dpr=0.95#tbm=isch&q=Cell+Phone+packaging.
* cited by examiner

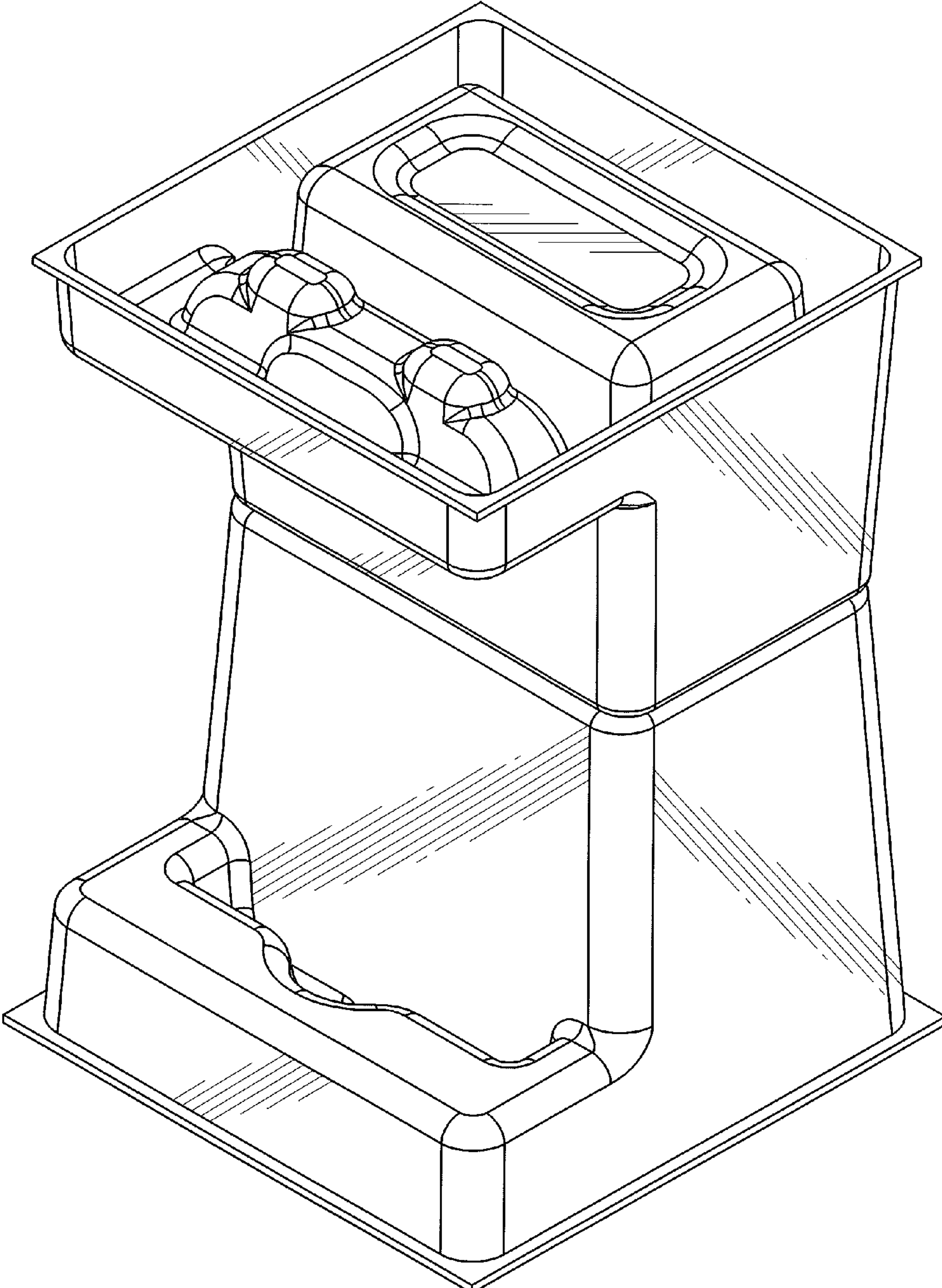


FIG. 1

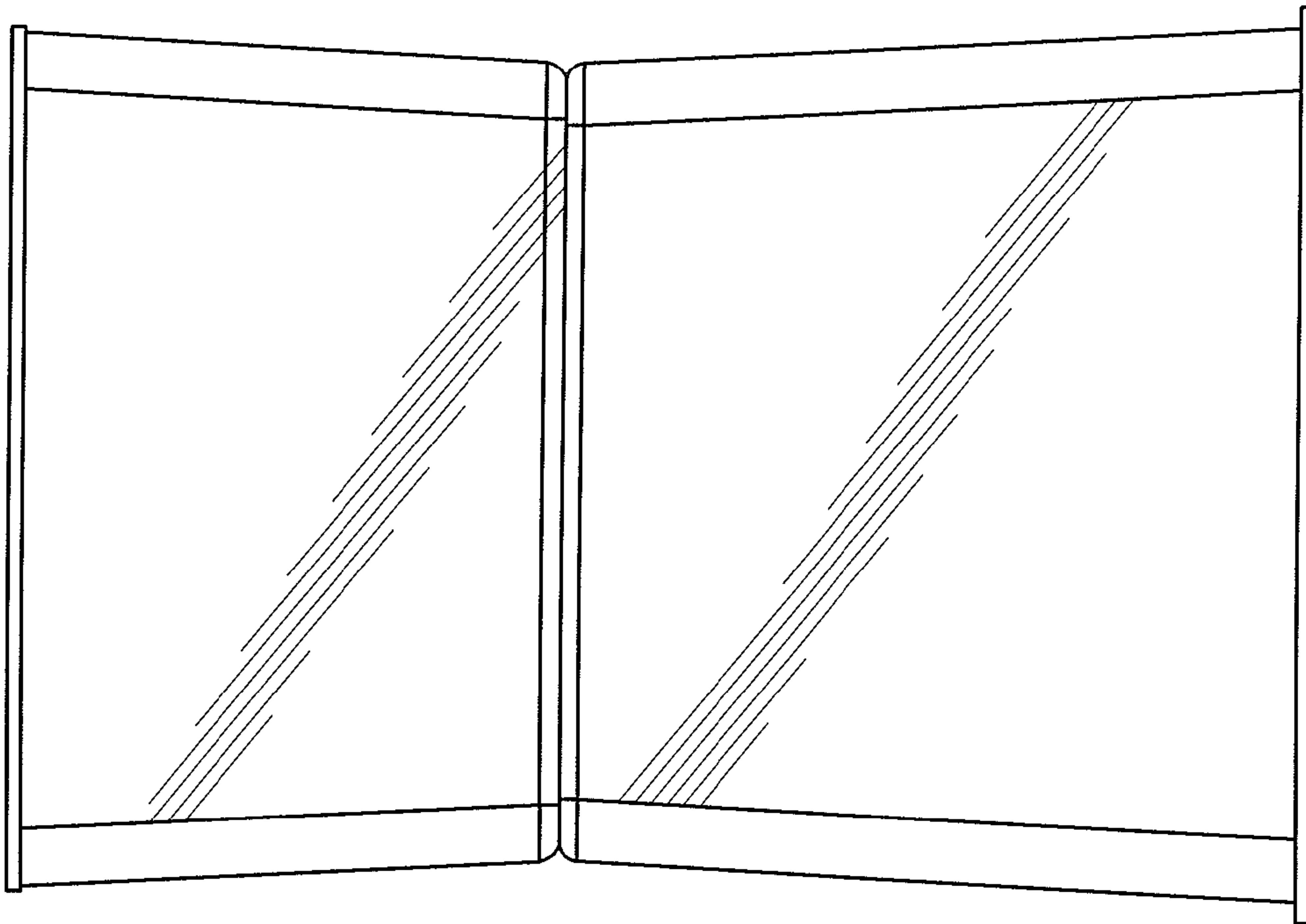


FIG. 3

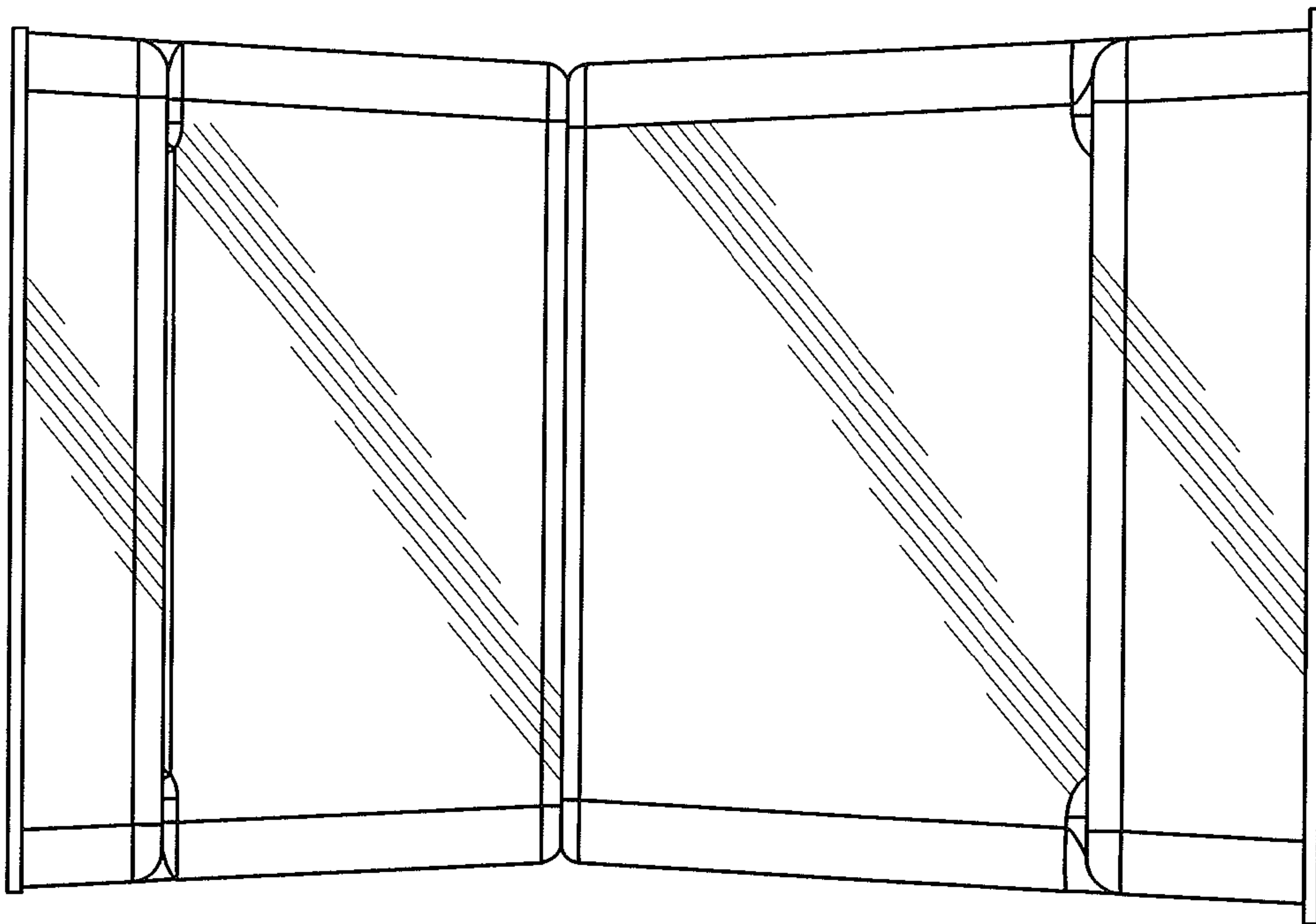


FIG. 2

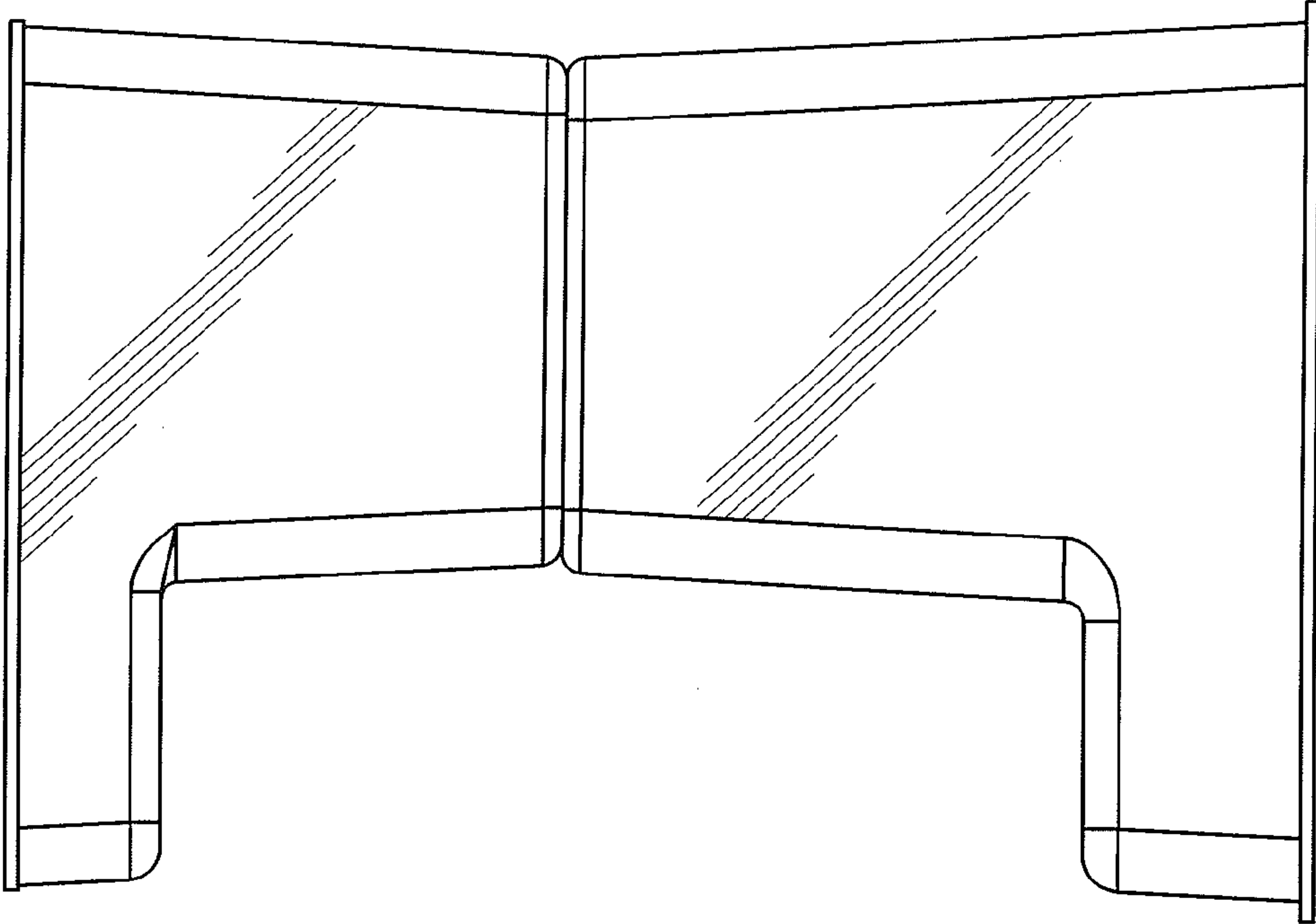


FIG. 5

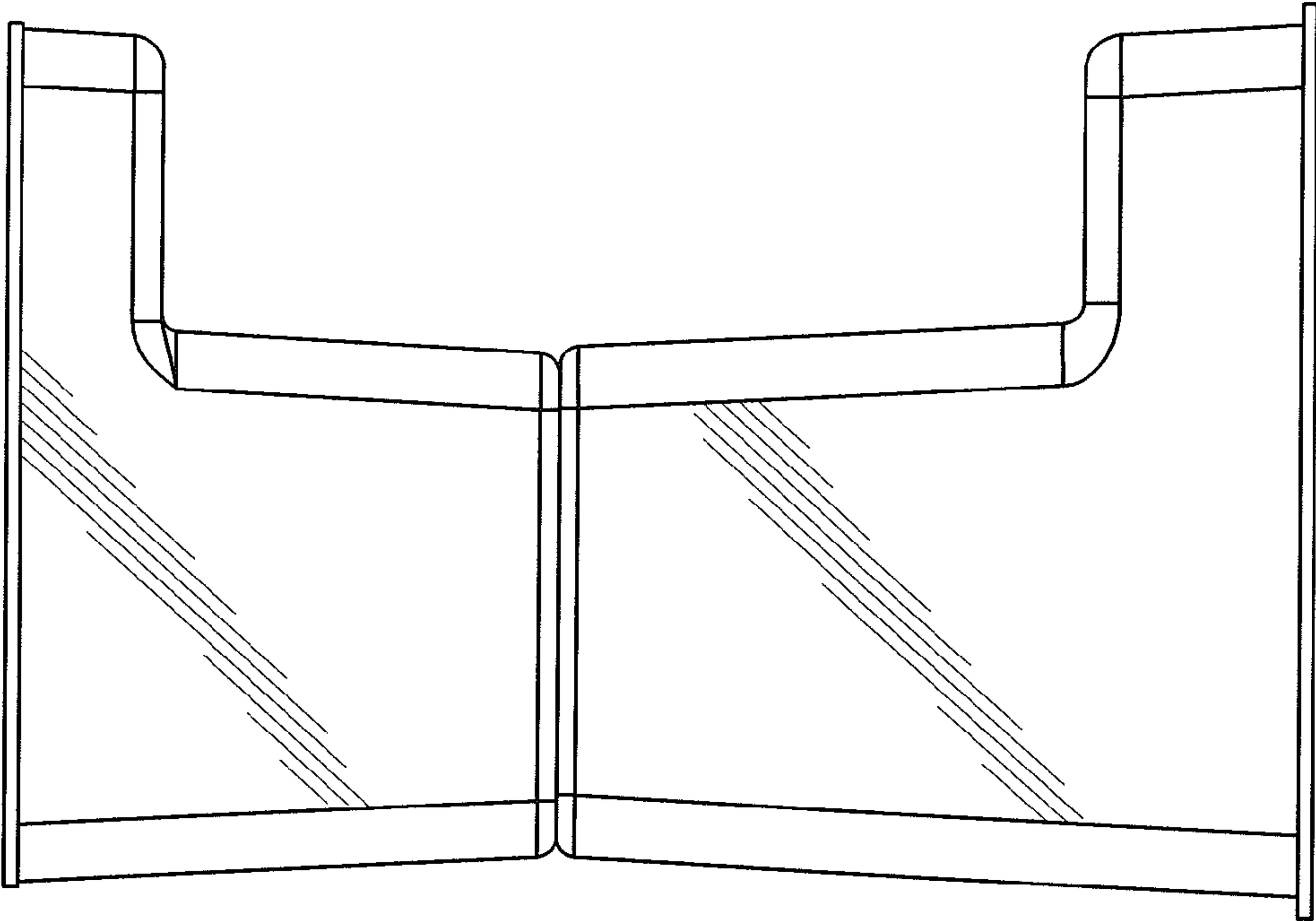


FIG. 4

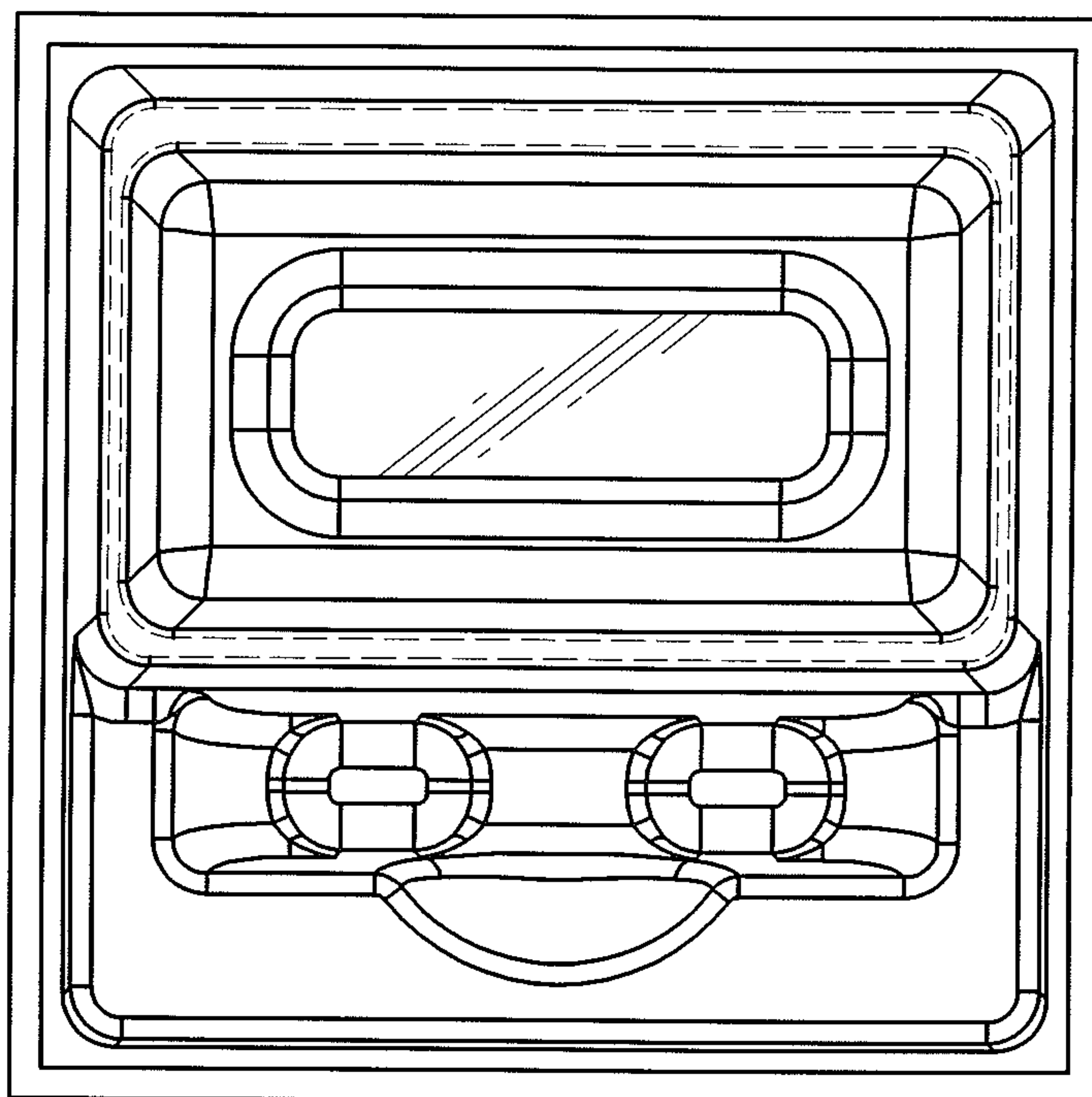


FIG. 6

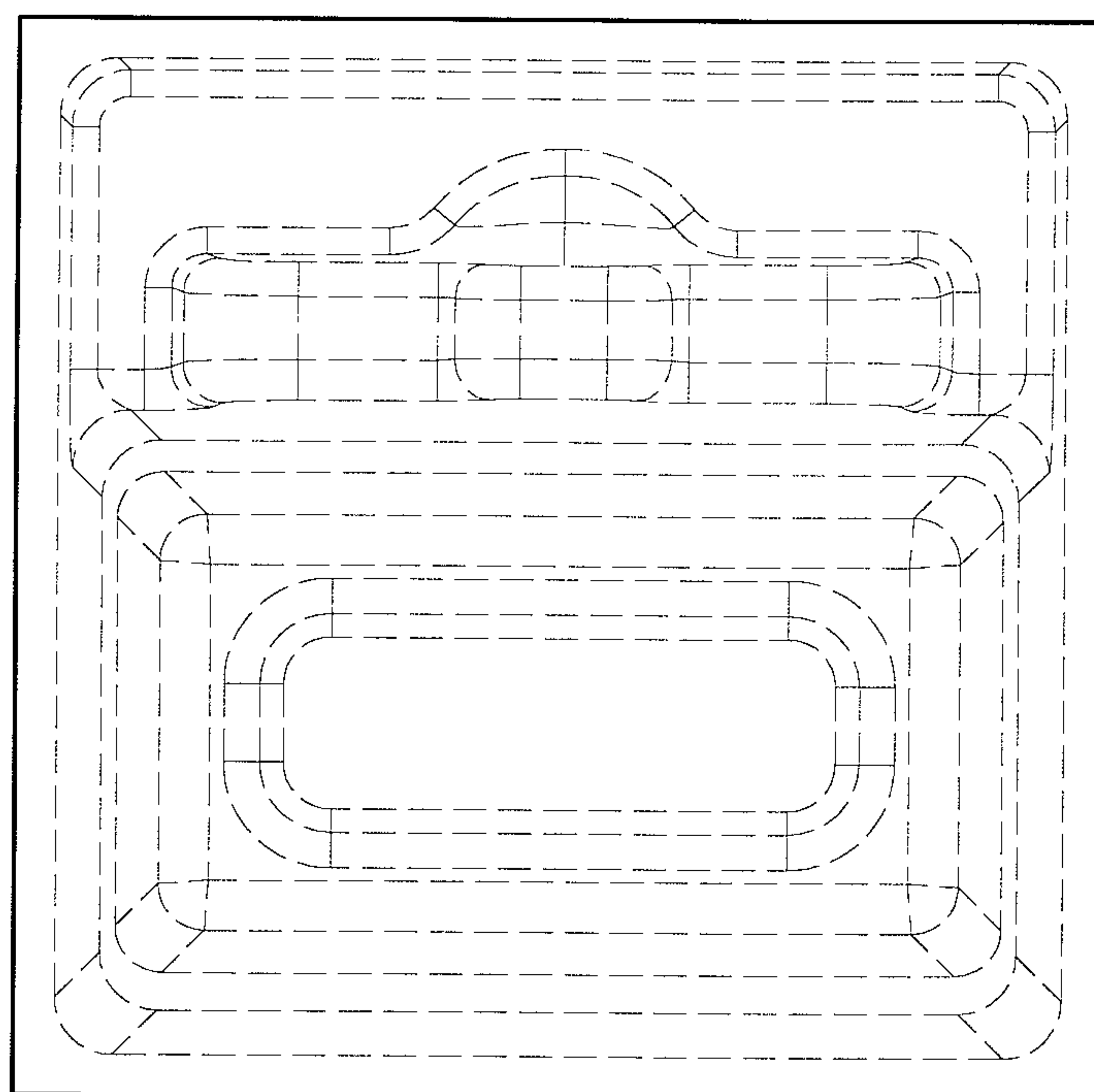


FIG. 7

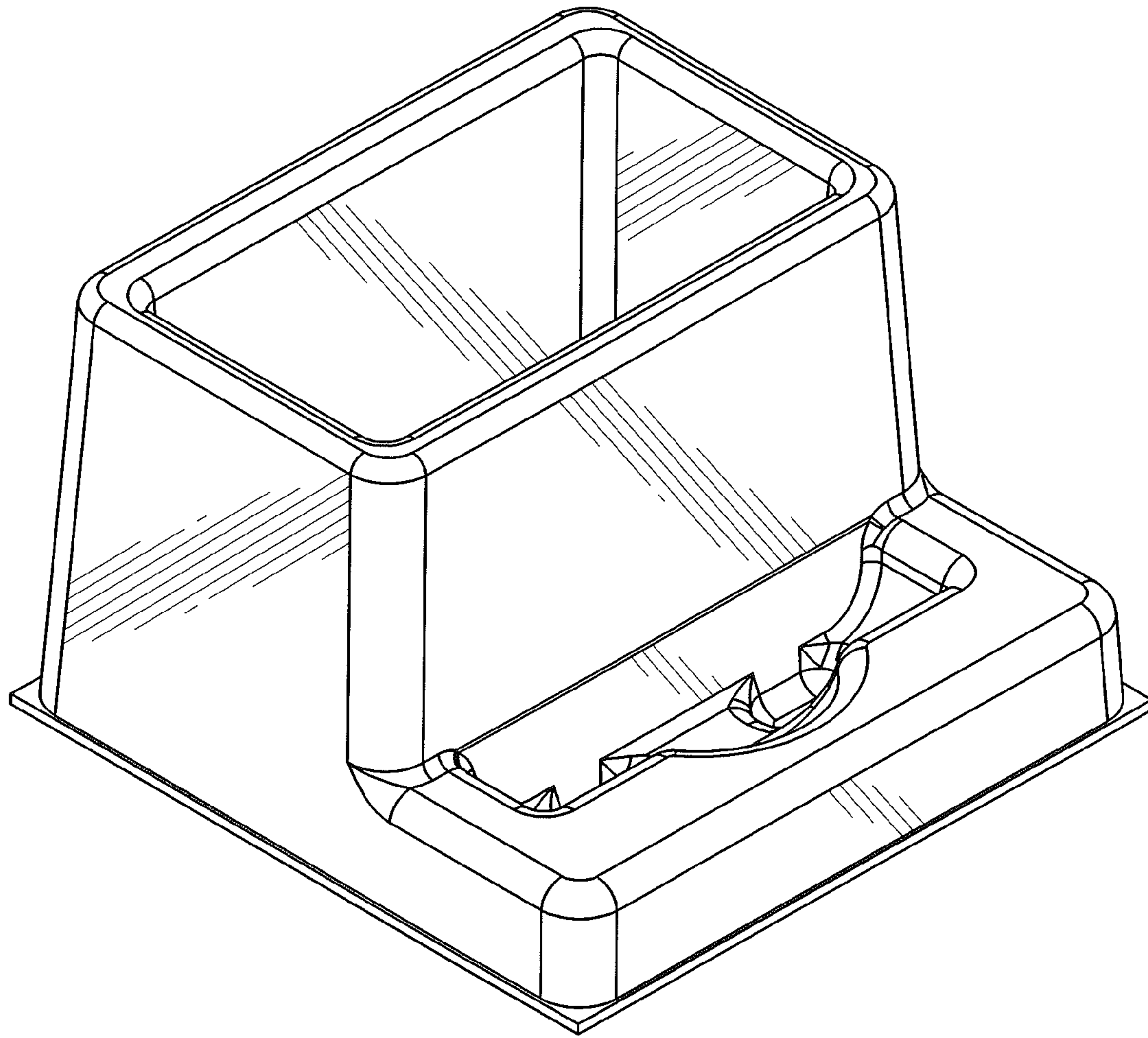


FIG. 8

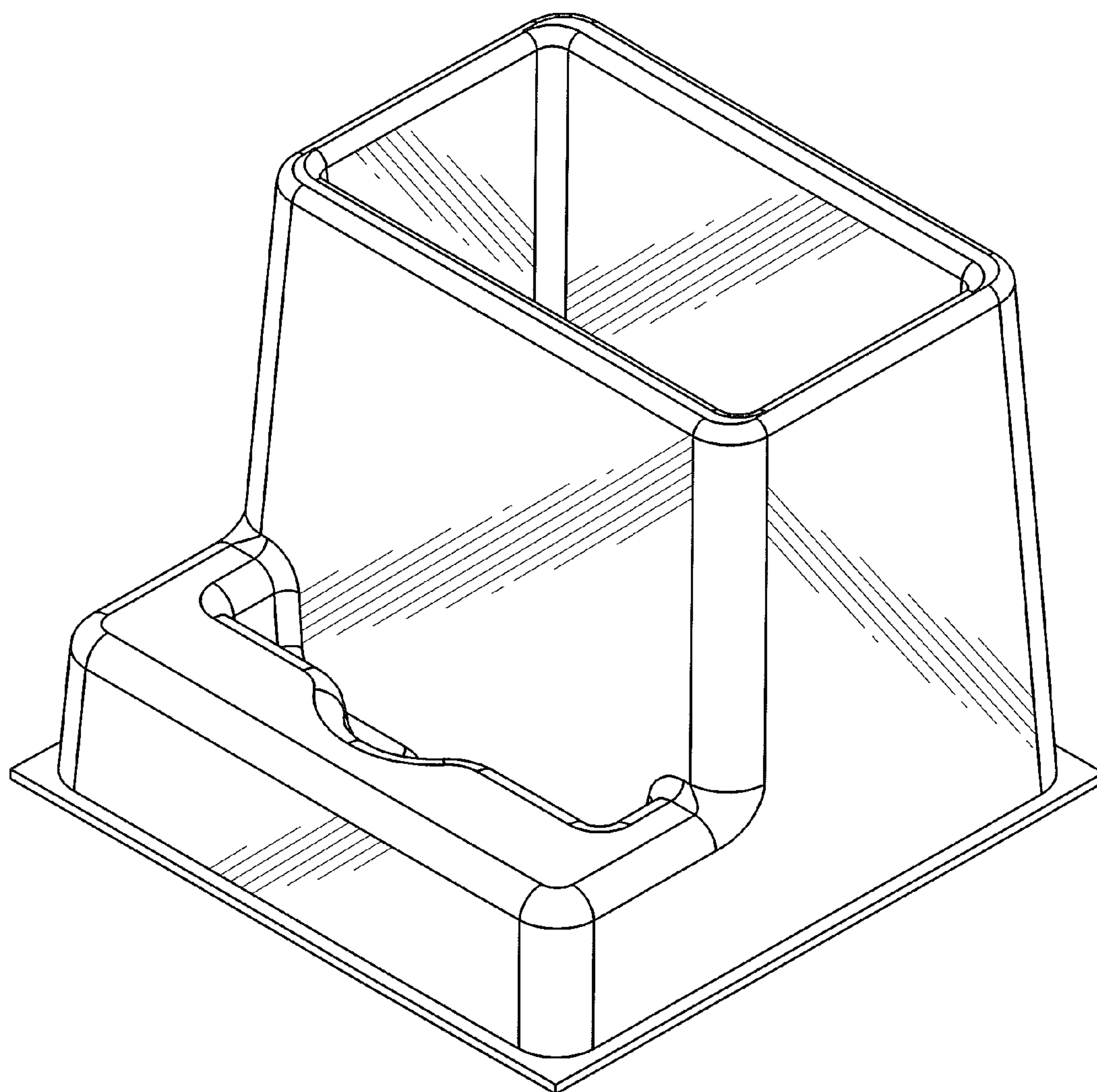


FIG. 9

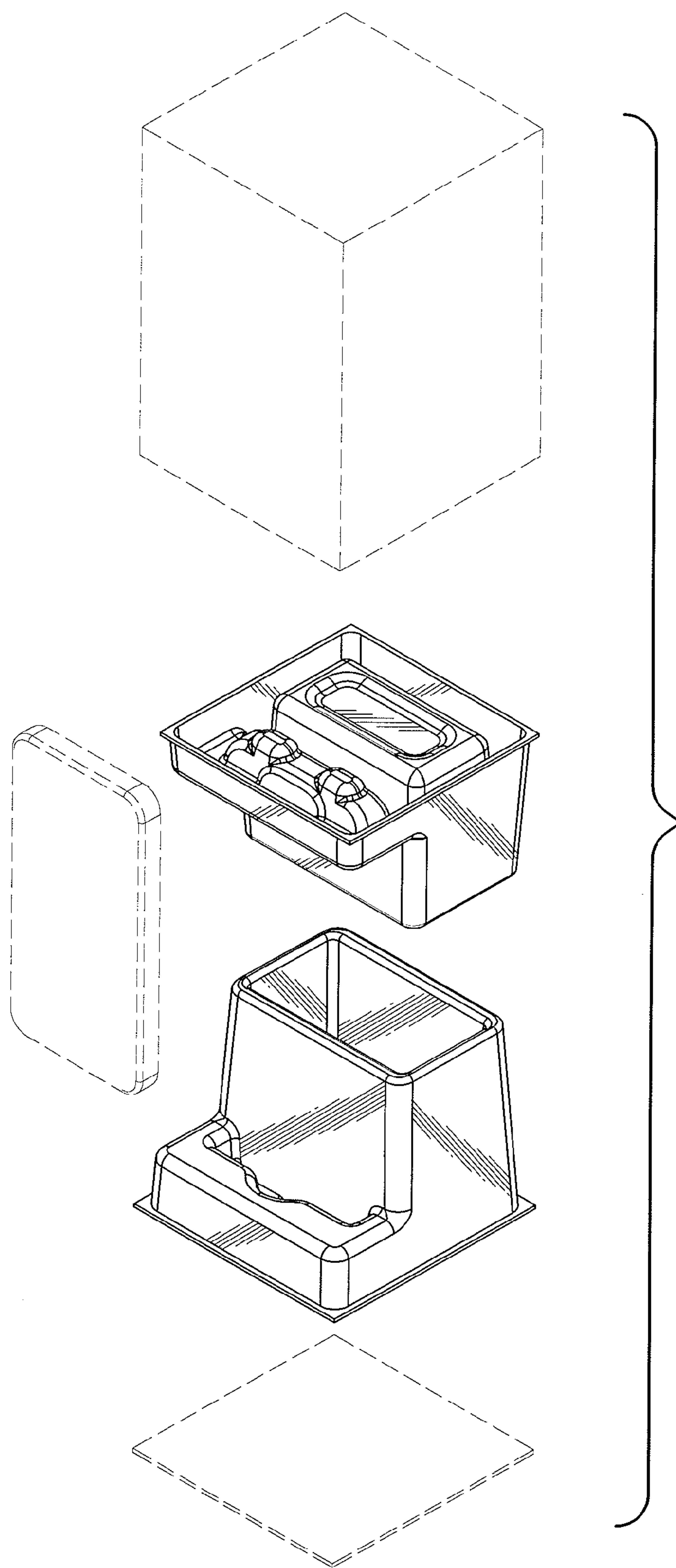


FIG. 10

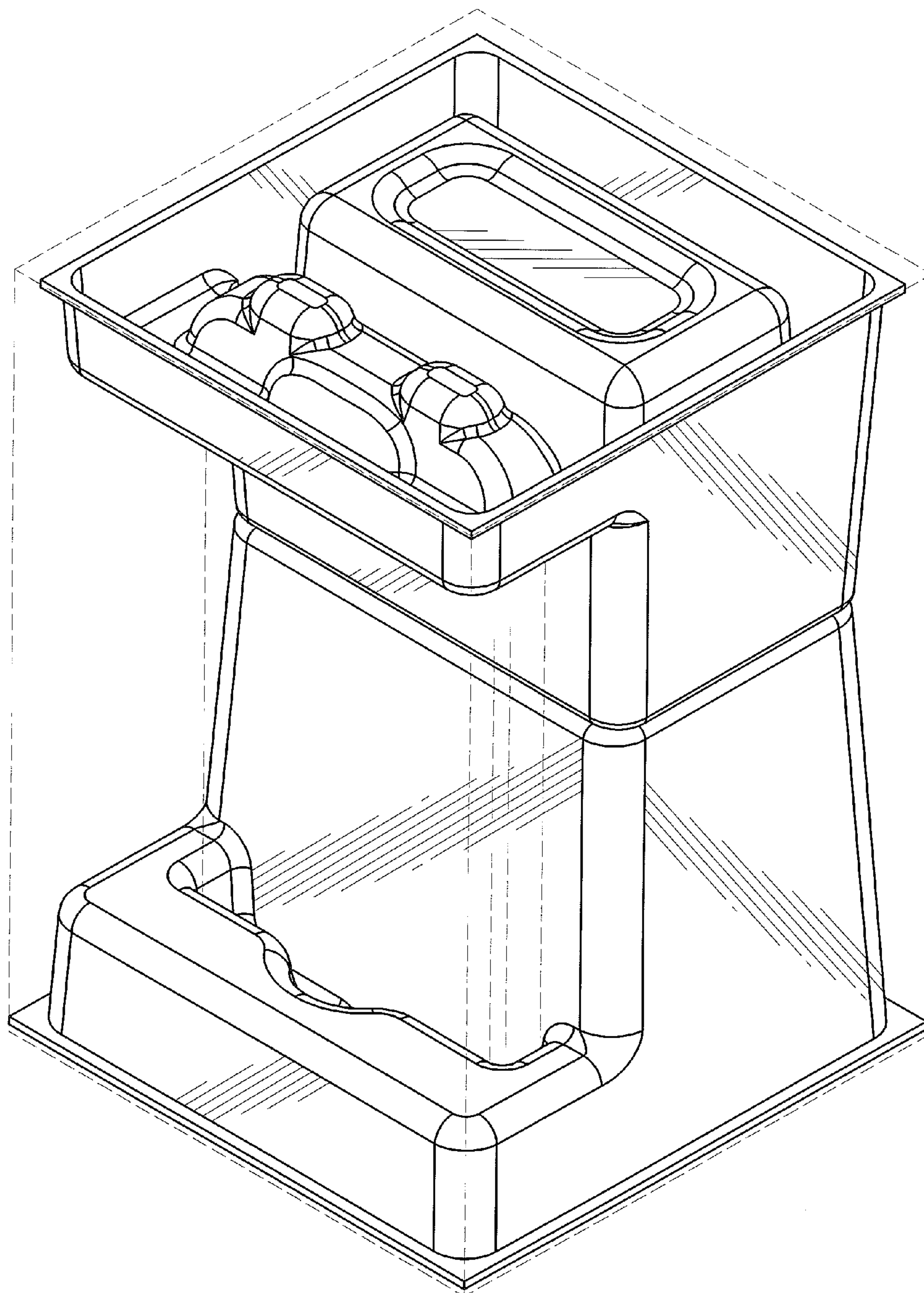


FIG. 11

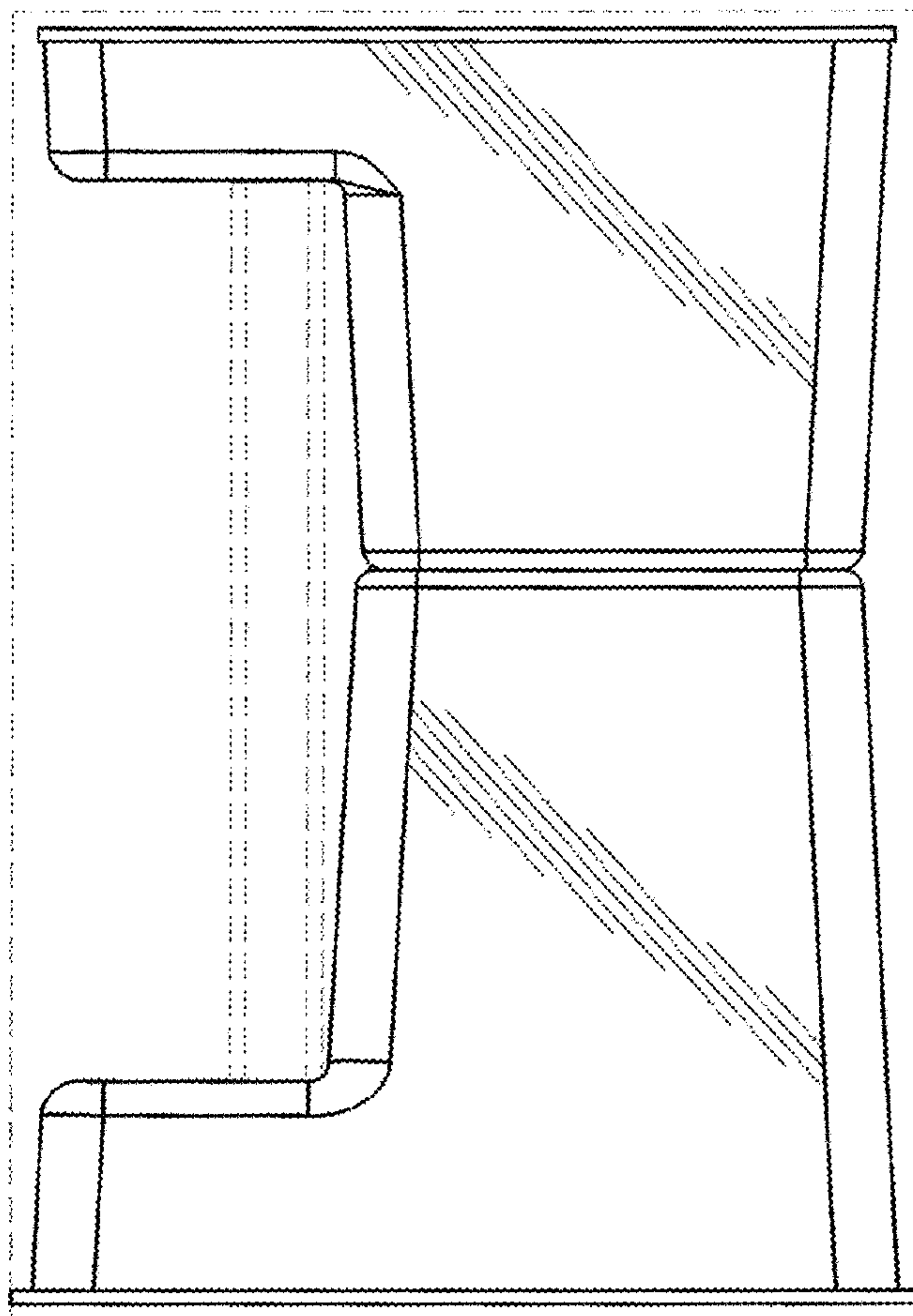


FIG. 12