

US00D760586S

(12) **United States Design Patent**
Seiders et al.

(10) **Patent No.:** **US D760,586 S**
(45) **Date of Patent:** **** Jul. 5, 2016**

- (54) **LID**
- (71) Applicant: **YETI Coolers, LLC**, Austin, TX (US)
- (72) Inventors: **Roy Joseph Seiders**, Austin, TX (US);
Steve Nichols, Austin, TX (US);
Matthew Joseph Petrillo, Austin, TX (US)
- (73) Assignee: **YETI Coolers, LLC**, Austin, TX (US)
- (**) Term: **15 Years**
- (21) Appl. No.: **29/544,220**
- (22) Filed: **Oct. 30, 2015**
- (51) **LOC (10) Cl.** **09-07**
- (52) **U.S. Cl.**
USPC **D9/443**; D7/392.1; D7/396.2; D9/434;
D9/435; D9/436; D9/454
- (58) **Field of Classification Search**
USPC D3/10, 202, 203.1, 203.2, 273, 275,
D3/291, 294, 318; D4/127, 129; D7/300,
D7/300.1, 313, 316, 317, 318, 387, 391,
D7/392.1, 393, 394, 396.2, 398, 402, 503,
D7/505, 507, 509, 510, 511, 513, 523-531,
D7/533, 538, 541, 542, 549, 590, 605, 608,
D7/629, 672, 703, 900; D8/300, 302, 303,
D8/306, 307, 308, 310, 315, 333, 349, 350,
D8/352, 354, 356, 382, 383, 394, 395;
D9/418, 434-440, 443-450, 452-454,
D9/502, 503, 504, 516, 517, 529, 530, 531,
D9/534, 538, 682, 686, 688, 715, 718;
D10/46.2; D11/26, 35; D12/218;
D13/103, 106, 118, 133, 154, 158, 183,
D13/703; D19/70, 71, 115, 162, 163, 165,
D19/192, 194; D24/121, 127, 197, 224, 36,
D24/123, 124; D29/129, 130; D30/158,
D30/159; D32/23, 24, 25, 34, 72; D34/7,
D34/10, 11, 28; 215/200, 201, 205, 206,
215/209, 211, 212, 217, 218, 222, 224, 228,
215/230, 232, 270, 295, 329, 341, 344,
215/350.3; 220/212, 212.5, 220, 236, 253,
220/254.3, 288, 293, 294, 300, 324, 529.16,
220/592.17, 574, 575, 700, 703, 705;
222/148, 153.1, 182, 567

CPC B65D 47/122; B65D 47/305; B65D 23/00;
B65D 1/00; B65D 1/02; B65D 1/0223;
B65D 50/041; B65D 25/18; B65D 51/242;
B65D 39/08; A47G 19/00; A47G 19/2272;
A47F 3/14; A45F 3/16; A47J 41/00
See application file for complete search history.

(56) **References Cited**

U.S. PATENT DOCUMENTS

D154,378 S 7/1949 Fuller
(Continued)

FOREIGN PATENT DOCUMENTS

CN 301110494 * 1/2010
(Continued)

OTHER PUBLICATIONS

Yeti 36 oz. Rambler: Announced Jan. 11, 2016 [online], site visited [May 10, 2016]. Available from Internet URL: <http://yeticoolers.com/rambler-bottle-36-oz/>.*

(Continued)

Primary Examiner — Sheryl Lane

Assistant Examiner — Catherine Posthauer

(74) *Attorney, Agent, or Firm* — Banner & Witcoff, Ltd.

(57) **CLAIM**

The ornamental design for a lid, as shown and described.

DESCRIPTION

FIG. 1 is a top, front, right perspective view of a lid showing our new design;

FIG. 2 is a front view thereof;

FIG. 3 is a rear view thereof;

FIG. 4 is a right side view thereof;

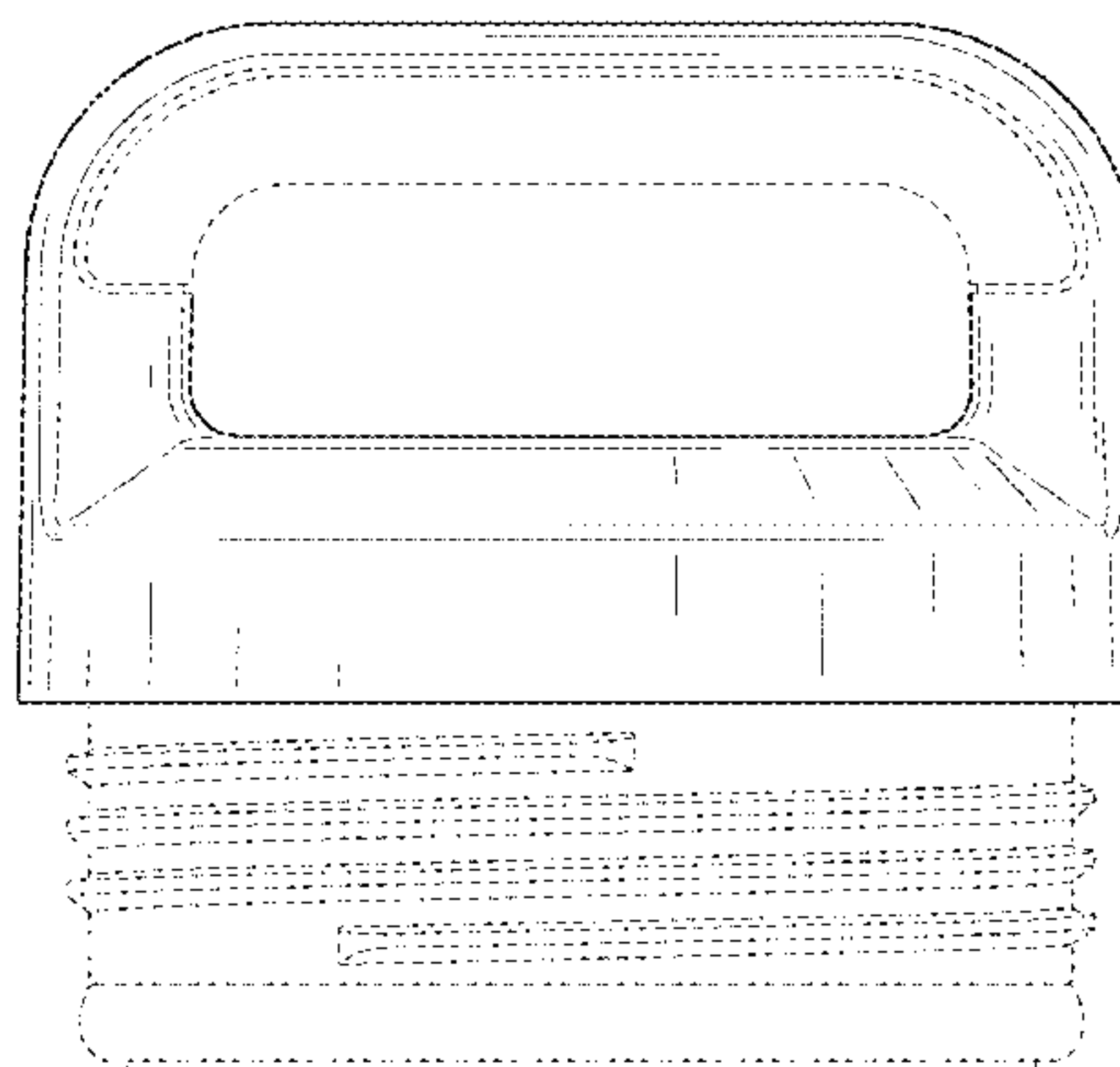
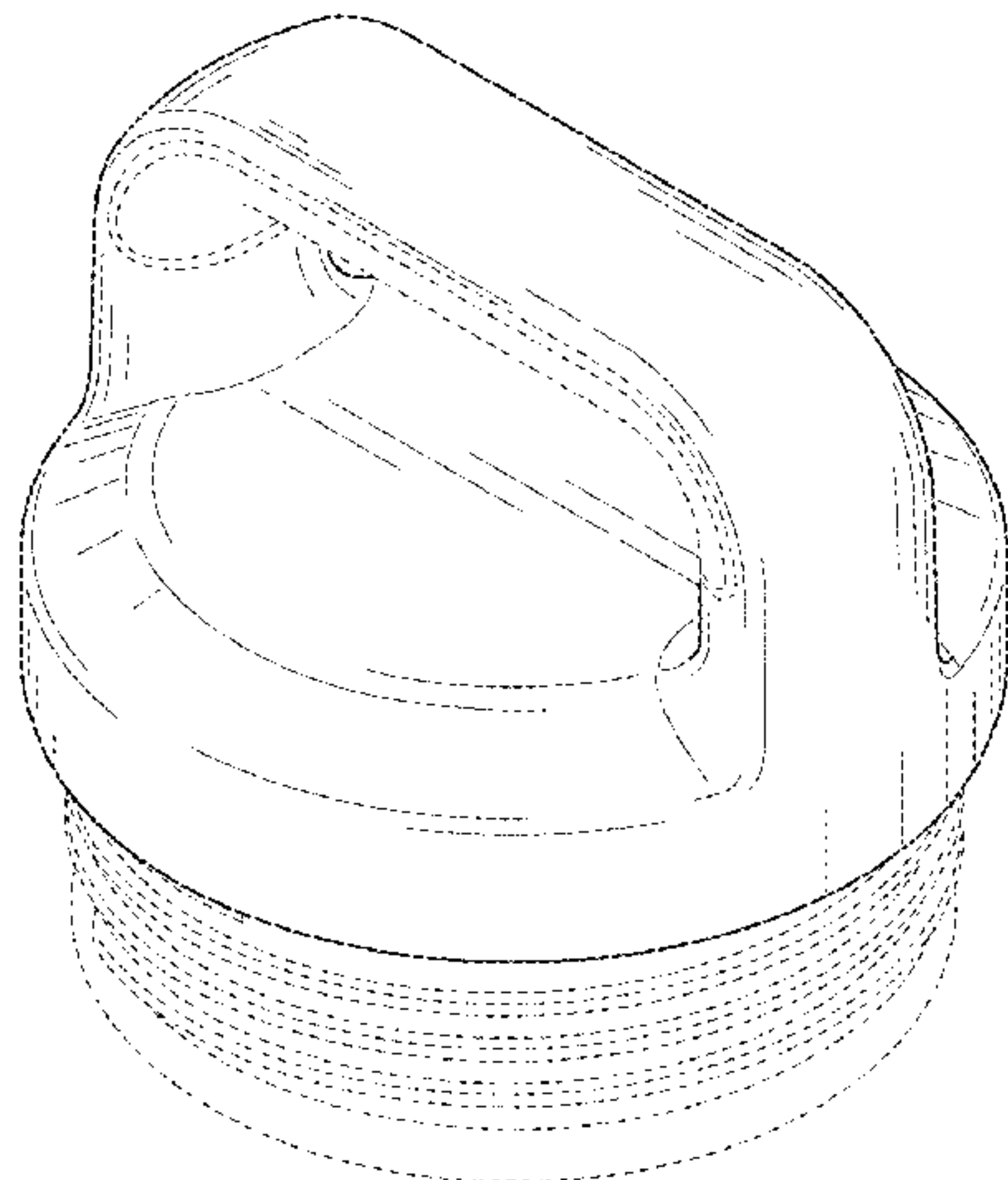
FIG. 5 is a left side view thereof;

FIG. 6 is a top view thereof; and,

FIG. 7 is a bottom view thereof.

The broken lines represent environmental subject matter and parts of the lid that form no part of the claimed design.

1 Claim, 4 Drawing Sheets



(56)

References Cited

U.S. PATENT DOCUMENTS

D235,303 S 6/1975 Boucher
 D256,651 S 9/1980 Leung et al.
 D279,346 S 6/1985 Ruxton
 D281,567 S 12/1985 Zimmermann
 D286,847 S 11/1986 Zimmermann
 D287,211 S 12/1986 Weiss
 D332,379 S * 1/1993 Murphy D7/391
 D368,224 S 3/1996 Arndt
 D398,193 S * 9/1998 Sanchez D7/608
 D415,395 S 10/1999 Hunt et al.
 D422,916 S 4/2000 Herrmann
 D456,669 S * 5/2002 Munari D7/392.1
 D458,133 S 6/2002 Berish et al.
 D458,134 S 6/2002 Berish et al.
 D479,800 S 9/2003 McRae
 D482,607 S 11/2003 McRae
 D494,425 S * 8/2004 Segura D7/608
 D524,909 S 7/2006 Bakke et al.
 D525,518 S * 7/2006 Baldwin D8/310
 D564,363 S 3/2008 Rhea
 D572,585 S 7/2008 Perrin et al.
 D603,331 S * 11/2009 Schupp D13/103
 D604,561 S 11/2009 Chisholm
 D612,235 S 3/2010 Cresswell et al.
 D614,918 S 5/2010 Chisholm
 D615,360 S 5/2010 Joy et al.
 D615,816 S 5/2010 Joy et al.
 D616,703 S 6/2010 Joy et al.
 D616,743 S 6/2010 Cresswell et al.
 D616,744 S 6/2010 Cresswell et al.
 D620,798 S 8/2010 Cresswell et al.
 D621,257 S 8/2010 Gullickson et al.
 D621,258 S 8/2010 Gullickson et al.
 D622,089 S 8/2010 Daniel et al.
 D626,416 S 11/2010 Cresswell et al.
 D627,601 S 11/2010 Eyal
 D627,602 S 11/2010 Eyal
 D628,486 S 12/2010 Lane
 D630,475 S * 1/2011 Lu D7/629
 D631,666 S 2/2011 Lim et al.
 D633,338 S 3/2011 Rosbach et al.
 D635,457 S 4/2011 Lane
 D638,695 S * 5/2011 Woodrow D8/382
 D651,847 S 1/2012 Gilbert

D652,255 S 1/2012 Carland
 D657,196 S * 4/2012 Beyers, III D7/513
 D658,064 S 4/2012 Barnes et al.
 D662,360 S 6/2012 George
 8,215,511 B1 * 7/2012 Lin B65D 39/08
 215/228
 D664,809 S 8/2012 Eyal
 D665,621 S 8/2012 Eyal
 D668,913 S 10/2012 Mayer
 D672,238 S 12/2012 Aziz et al.
 D672,609 S 12/2012 Aziz et al.
 D675,100 S 1/2013 Herbst
 D680,389 S * 4/2013 Zemel D7/672
 D688,093 S * 8/2013 Roth D7/392.1
 D702,506 S 4/2014 Mettler et al.
 D708,954 S 7/2014 Barnes et al.
 D712,254 S 9/2014 Geis et al.
 D712,255 S 9/2014 Geis et al.
 D713,365 S 9/2014 Green
 D717,102 S 11/2014 Taketani et al.
 D724,385 S 3/2015 Hurley et al.
 D728,315 S 5/2015 Bo
 D728,995 S * 5/2015 Barberi D7/394
 D729,579 S 5/2015 Molayem
 D735,578 S * 8/2015 Mazurkiewicz D9/443
 D754,472 S * 4/2016 Munari D7/393
 2011/0186585 A1 * 8/2011 Lu A47J 41/00
 220/575
 2014/0353275 A1 * 12/2014 Hung B65D 47/305
 215/311

FOREIGN PATENT DOCUMENTS

CN 303528321 * 12/2015
 KR 300303813.0000 * 8/2002
 KR 300751936.0000 * 7/2014
 KR 300764889.0000 * 10/2014
 WO D088688-002 * 1/2016

OTHER PUBLICATIONS

Kold Vacuum Insulated Stainless Steel Sports Bottle: Announced Dec. 8, 2015 [online], site visited [May 11, 2016]. Available from Internet URL: http://www.amazon.com/KOLD-Sports-Water-Bottles-Insulated/dp/B018YHK79E/ref=cm.*

* cited by examiner

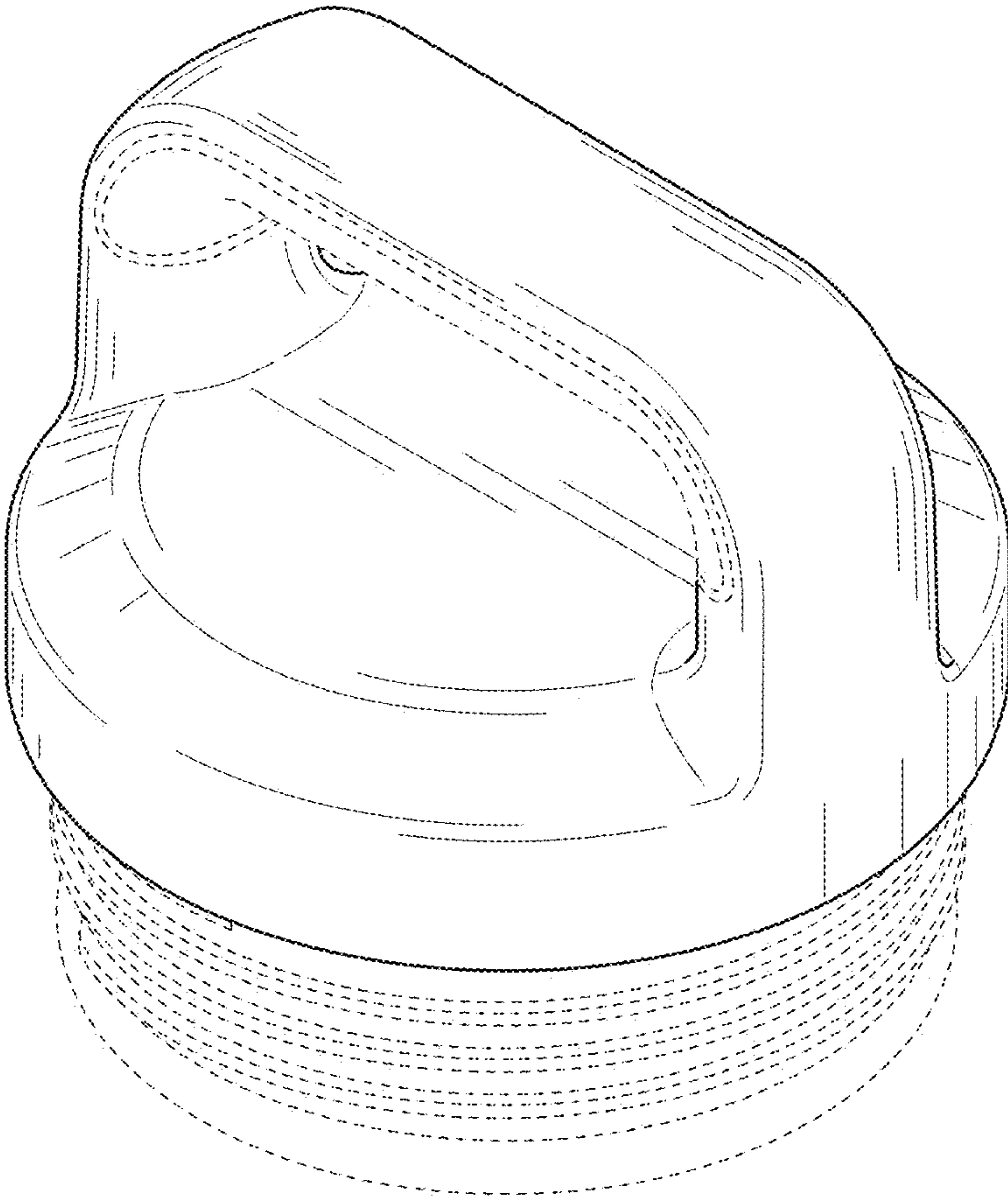


FIG. 1

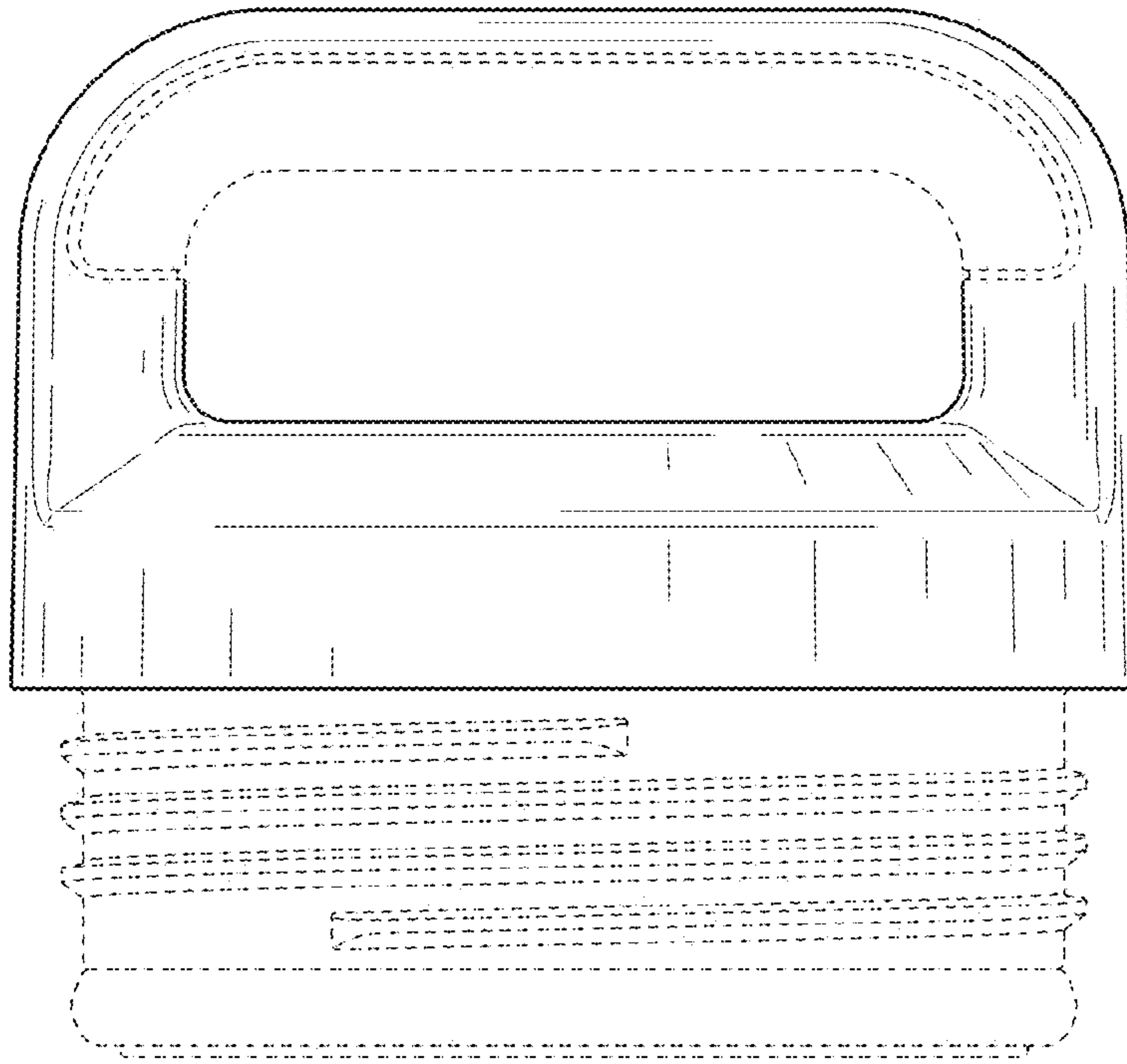


FIG. 2

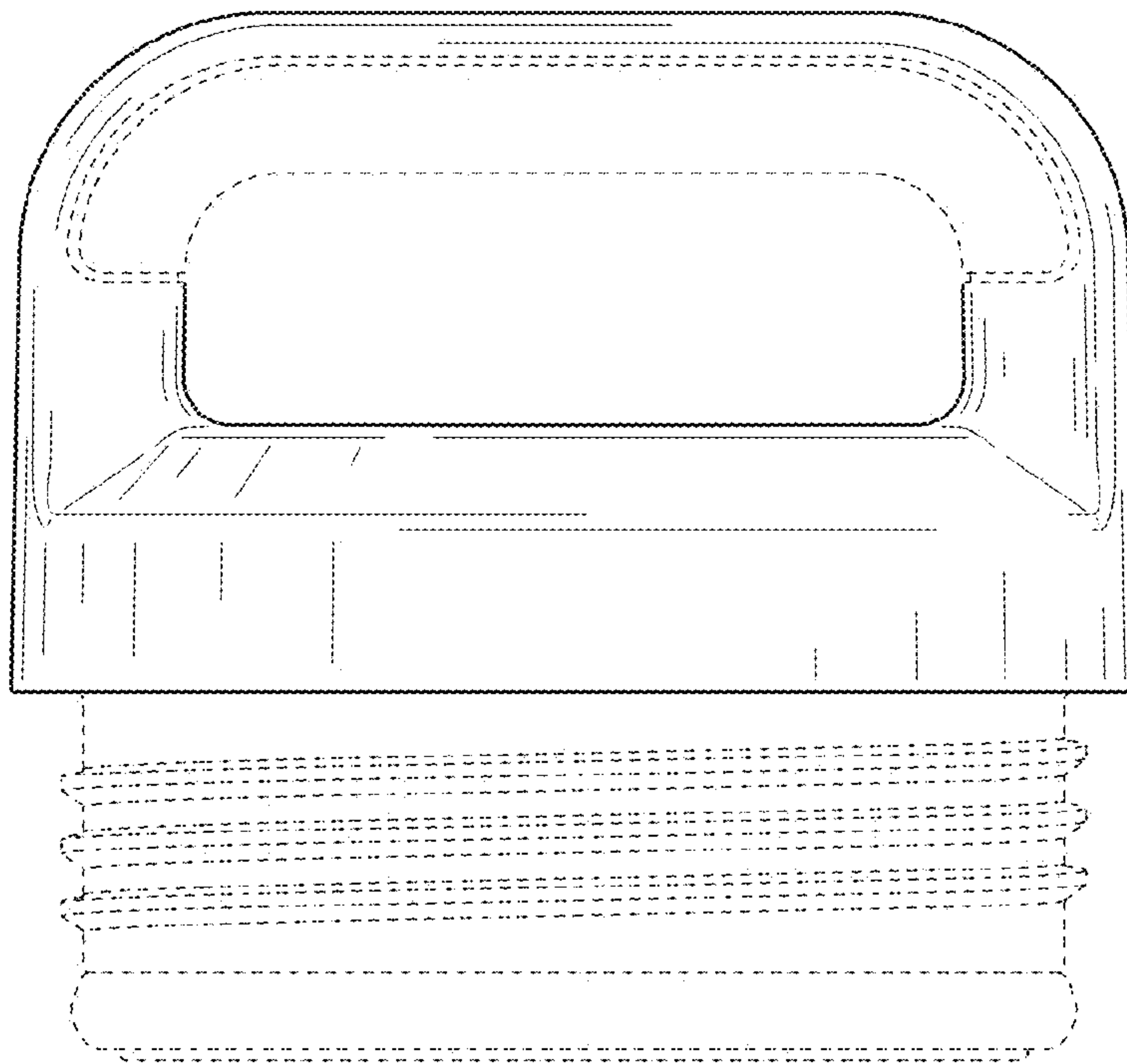


FIG. 3

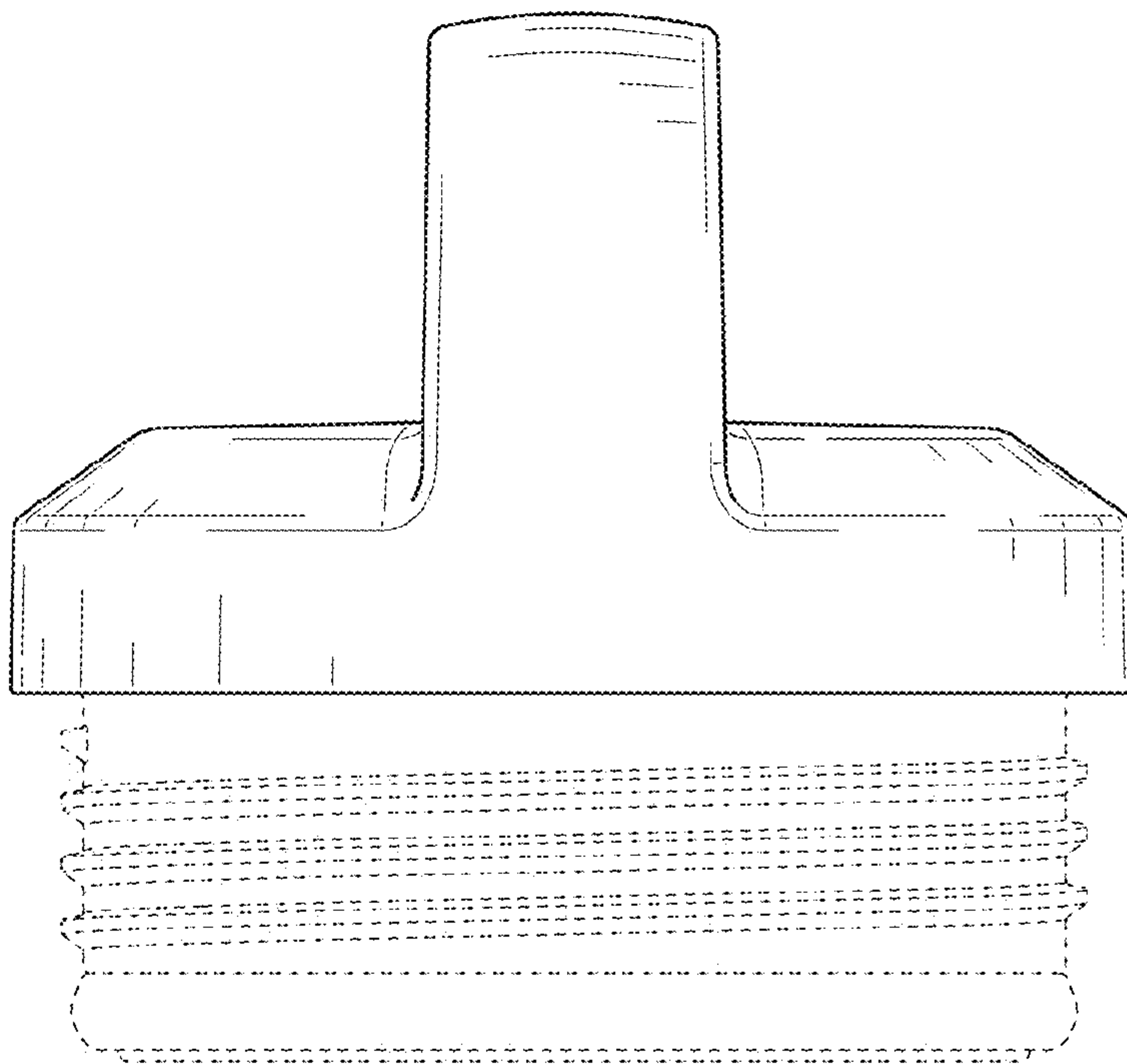


FIG. 4

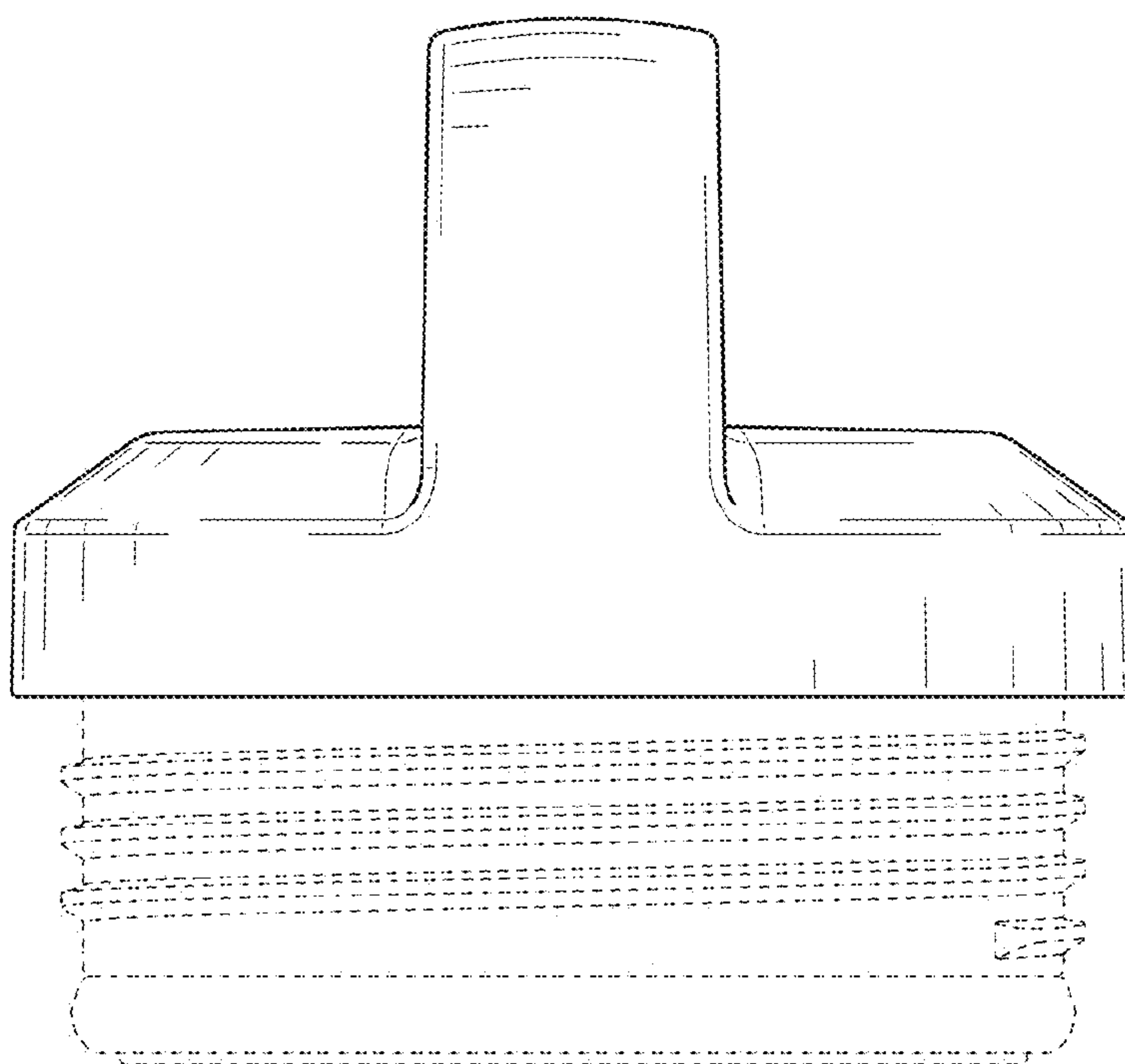


FIG. 5

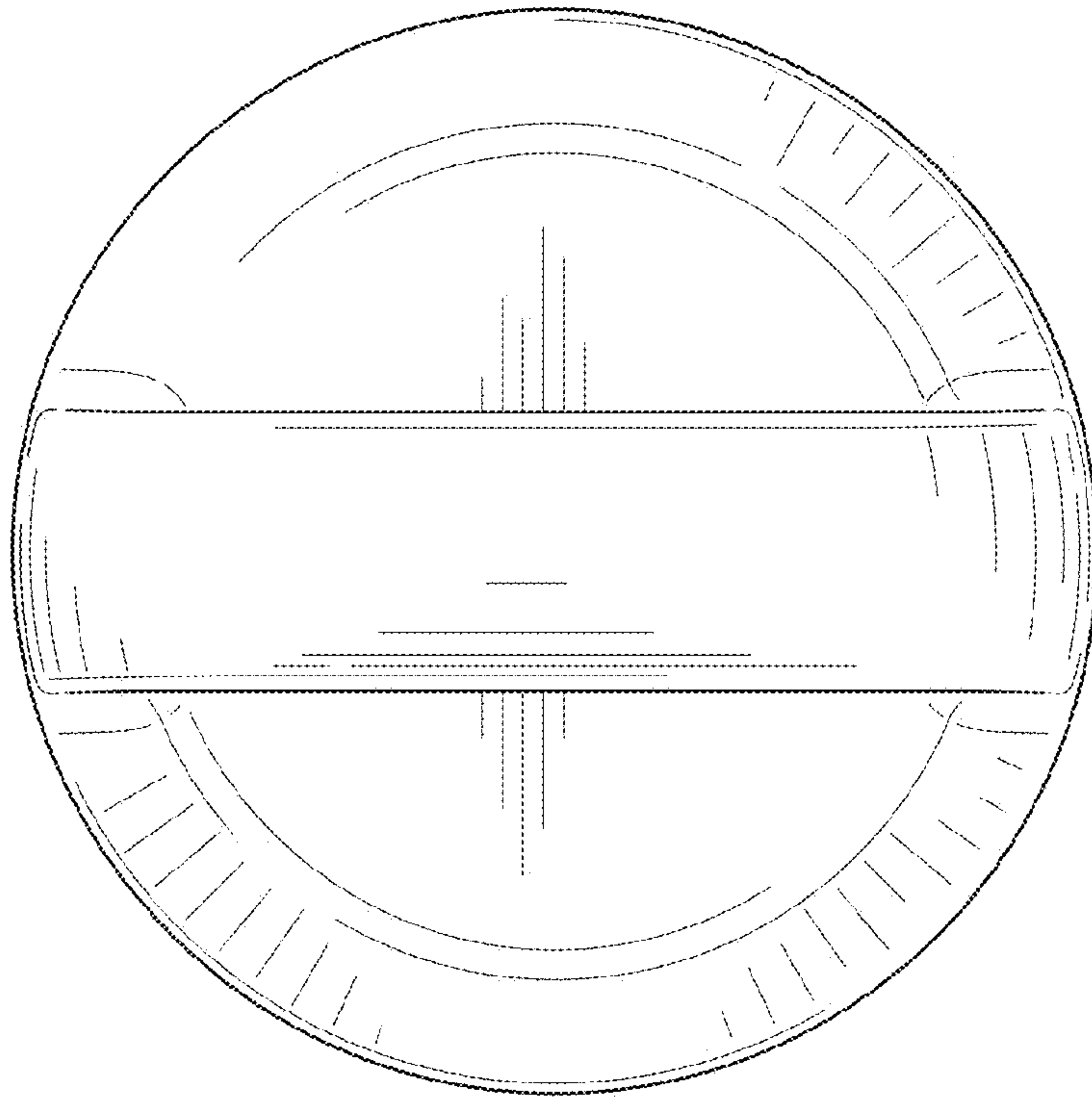


FIG. 6

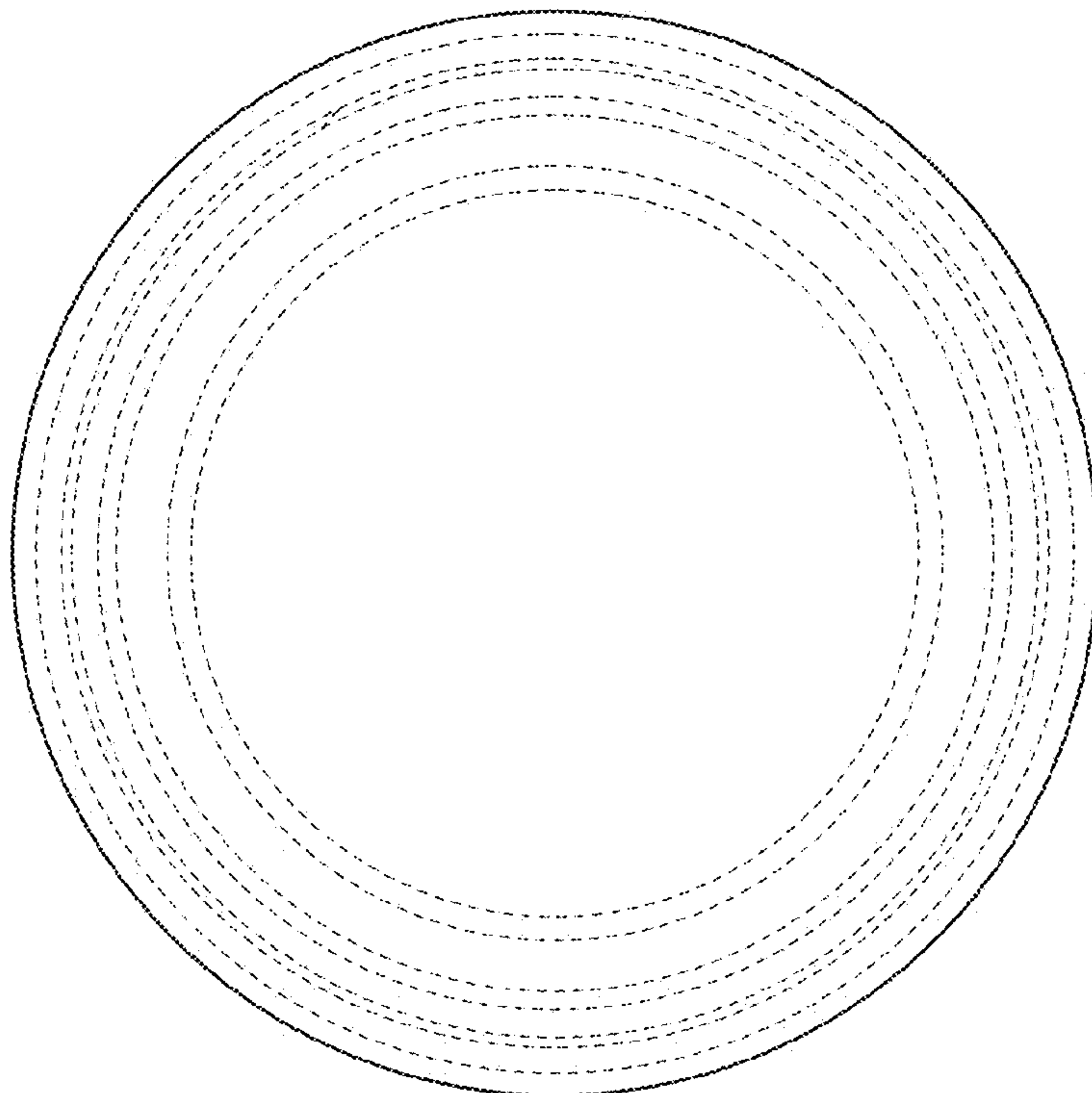


FIG. 7