



US00D760585S

(12) **United States Design Patent**
Ott

(10) **Patent No.:** **US D760,585 S**
(45) **Date of Patent:** **** Jul. 5, 2016**

- (54) **SCRAPER EXTENSION FOR A HAND PUMP SPRAY NOZZLE**
- (71) Applicant: **Dallin Ott**, Provo, UT (US)
- (72) Inventor: **Dallin Ott**, Provo, UT (US)
- (**) Term: **14 Years**
- (21) Appl. No.: **29/524,094**
- (22) Filed: **Apr. 16, 2015**
- (51) **LOC (10) Cl.** **09-07**
- (52) **U.S. Cl.**
USPC **D9/436**
- (58) **Field of Classification Search**
USPC D7/213; D8/92; D9/434-436, 440,
D9/443-445, 447-449, 499, 685, 718, 729,
D9/735; 222/48, 402, 402.1
CPC B65D 83/206
See application file for complete search history.

(56) **References Cited**

U.S. PATENT DOCUMENTS

D198,110 S *	4/1964	Klun	D9/436
D257,229 S *	10/1980	Leger	D9/443
D319,188 S *	8/1991	Cleminshaw	D9/443
D319,191 S *	8/1991	Pangia	D9/448
D421,718 S *	3/2000	Durliat	D9/434
D446,721 S *	8/2001	Kimble	D9/434
D454,306 S *	3/2002	Sweeton	D9/434
D457,430 S *	5/2002	Wright	D9/448
D518,379 S *	4/2006	Decottignies	D9/447ke

7,866,539 B2 *	1/2011	Senftner	B65D 81/3862 220/592.1
D702,549 S *	4/2014	Meyer	D9/434
D739,727 S *	9/2015	Olson	D9/436
D744,831 S *	12/2015	Geeting	D9/448
D746,136 S *	12/2015	Liu	D6/542
D755,046 S *	5/2016	Bramwell	D9/434

* cited by examiner

Primary Examiner — Robert M Spear
Assistant Examiner — Darcey E Heflin
(74) *Attorney, Agent, or Firm* — David S. Einfeldt

(57) **CLAIM**

The ornamental design for a scraper extension for a hand pump spray nozzle, as shown and described.

DESCRIPTION

FIG. 1 is a side perspective view of a scraper extension for a hand pump spray nozzle in accordance with the claimed design;

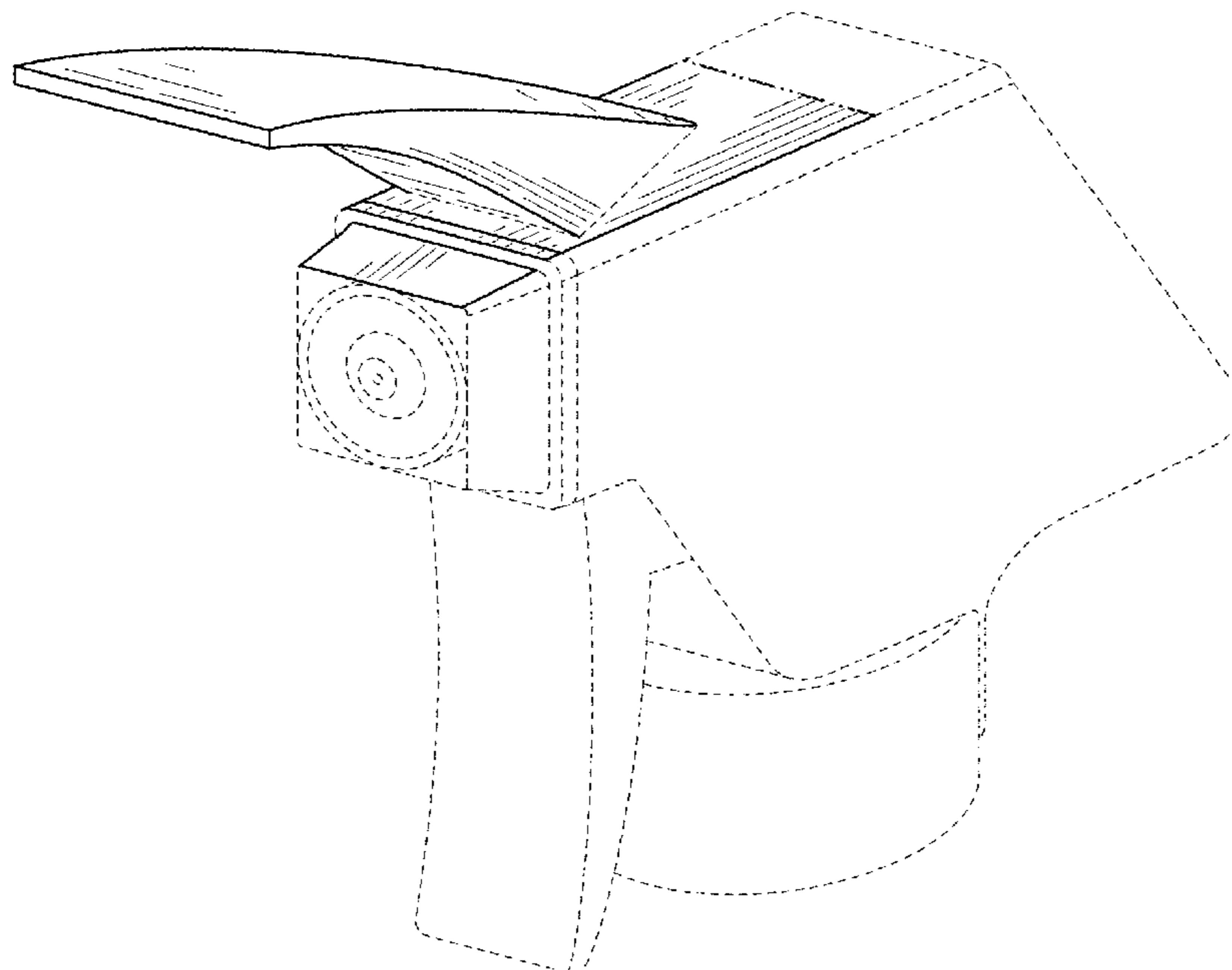
FIG. 2 is a front view of the scraper extension for a hand pump spray nozzle shown in FIG. 1;

FIG. 3 is a rear view of the scraper extension for a hand pump spray nozzle of FIG. 1; and,

FIG. 4 is a top view of the scraper extension for a hand pump spray nozzle of FIG. 1.

The ornamental design, which is claimed, is shown in solid lines in the drawings. In the drawings, the evenly-spaced broken line showing portions of the scraper extension depicts environment and forms no part of the claim; the dash-dot-dot-dash lines represent boundaries of the claimed design and form no part thereof.

1 Claim, 3 Drawing Sheets



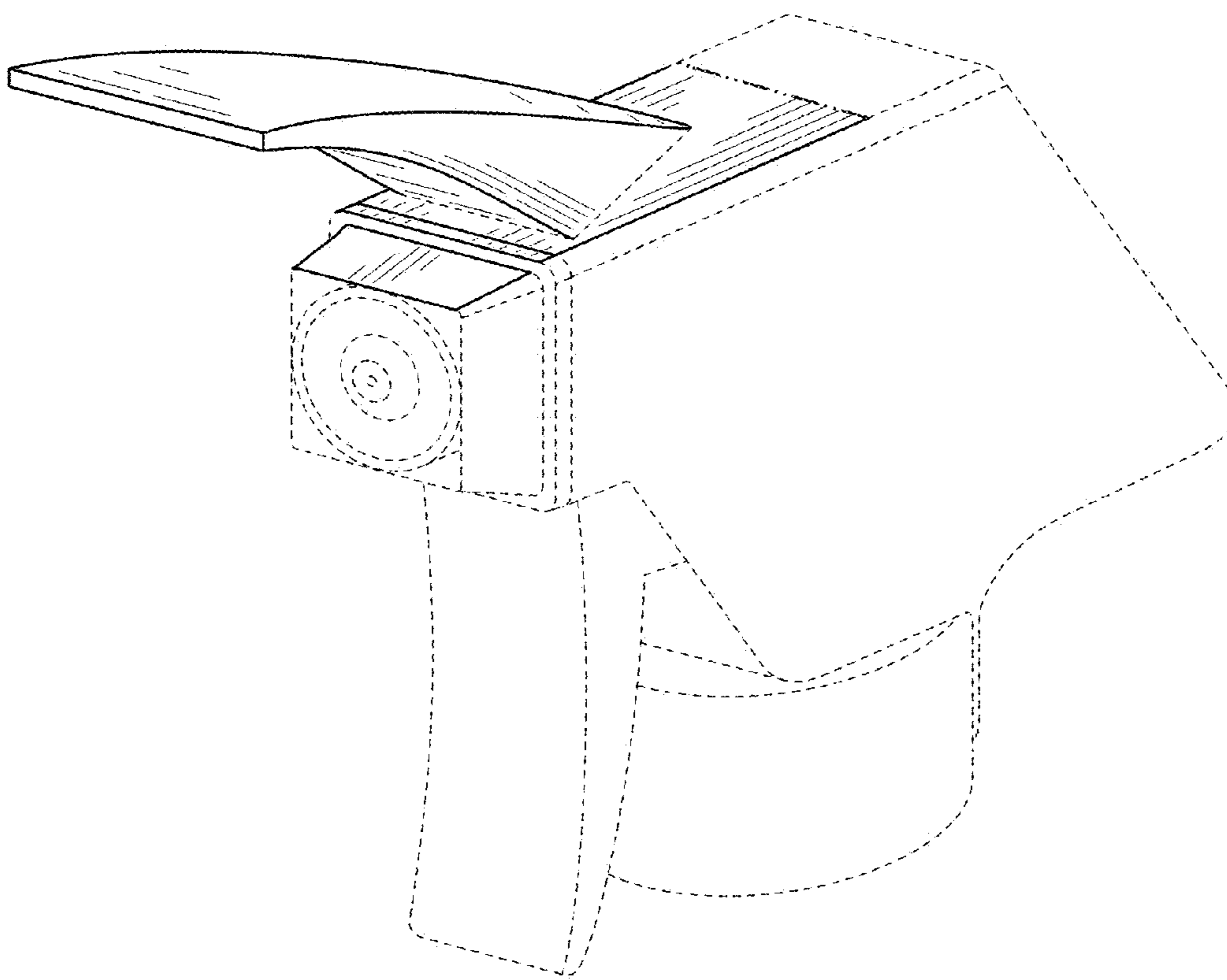


FIG. 1

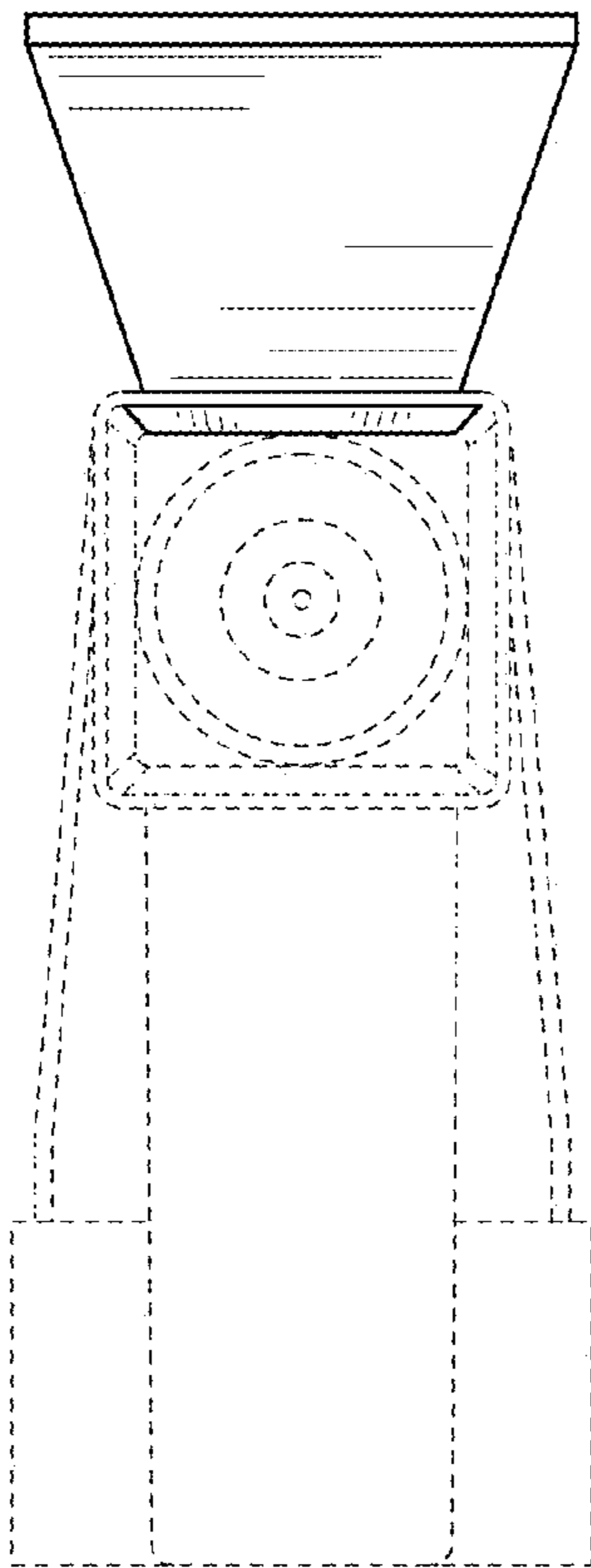


FIG. 2

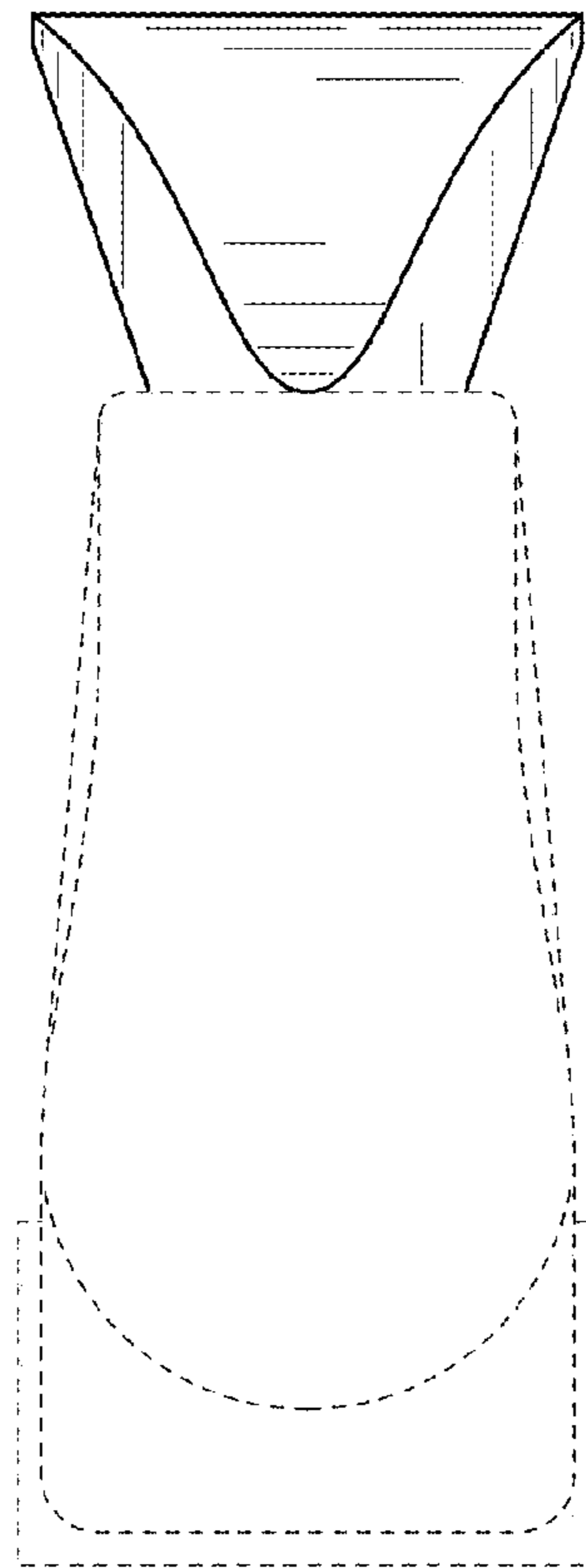


FIG. 3

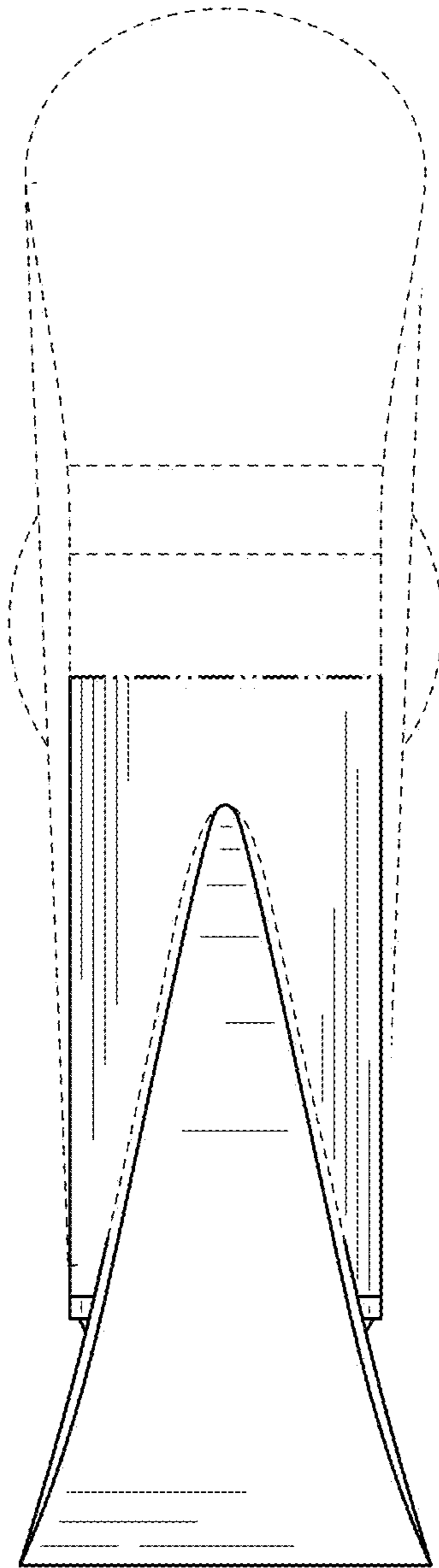


FIG. 4