



US00D760584S

(12) **United States Design Patent**
Katz

(10) **Patent No.:** **US D760,584 S**
(45) **Date of Patent:** **** Jul. 5, 2016**

(54) **CARTRIDGE FOR BEVERAGE DISPENSER**

(71) Applicant: **Telesonic Packaging Corp.**,
Wilmington, DE (US)
(72) Inventor: **Bernard Katz**, Wilmington, DE (US)
(73) Assignee: **TELESONIC PACKAGING CORP.**,
Wilmington, DE (US)
(**) Term: **14 Years**

(21) Appl. No.: **29/512,950**
(22) Filed: **Dec. 23, 2014**
(51) **LOC (10) Cl.** **09-03**
(52) **U.S. Cl.**
USPC **D9/416**
(58) **Field of Classification Search**
USPC D9/414-418, 424, 425, 429, 520, 435,
D9/434, 430, 428; D3/312, 302; D7/397,
D7/523, 602, 400; D21/472; 426/112;
206/822
CPC B31B 3/00; B65D 51/28
See application file for complete search history.

(56) **References Cited**

U.S. PATENT DOCUMENTS

D317,120 S *	5/1991	Schwartzburg	D9/435
5,064,073 A *	11/1991	Folland	B65D 51/28
				206/822
D379,122 S *	5/1997	Wolff	D3/312
D380,383 S *	7/1997	Wiemann	D9/434
D402,200 S *	12/1998	Bakx	D9/430
D422,841 S *	4/2000	Milford	D7/523
D438,794 S *	3/2001	Miles	D9/425
D452,150 S *	12/2001	Viner	D9/428
D505,835 S *	6/2005	Schultz	D7/602
D514,390 S *	2/2006	Palder	D7/602
D559,677 S *	1/2008	Laib	D3/302
D606,363 S *	12/2009	Aardenburg	D7/400
D642,454 S *	8/2011	Santoiemmo	D9/428

(Continued)

OTHER PUBLICATIONS

Reusable Coffee Filter; <http://www.mileskimball.com/mileskimball/writeareview.aspx?>; retrieved Dec. 22, 2014.
(Continued)

Primary Examiner — Holly Baynham
Assistant Examiner — Rhea Shields
(74) *Attorney, Agent, or Firm* — Polsinelli PC

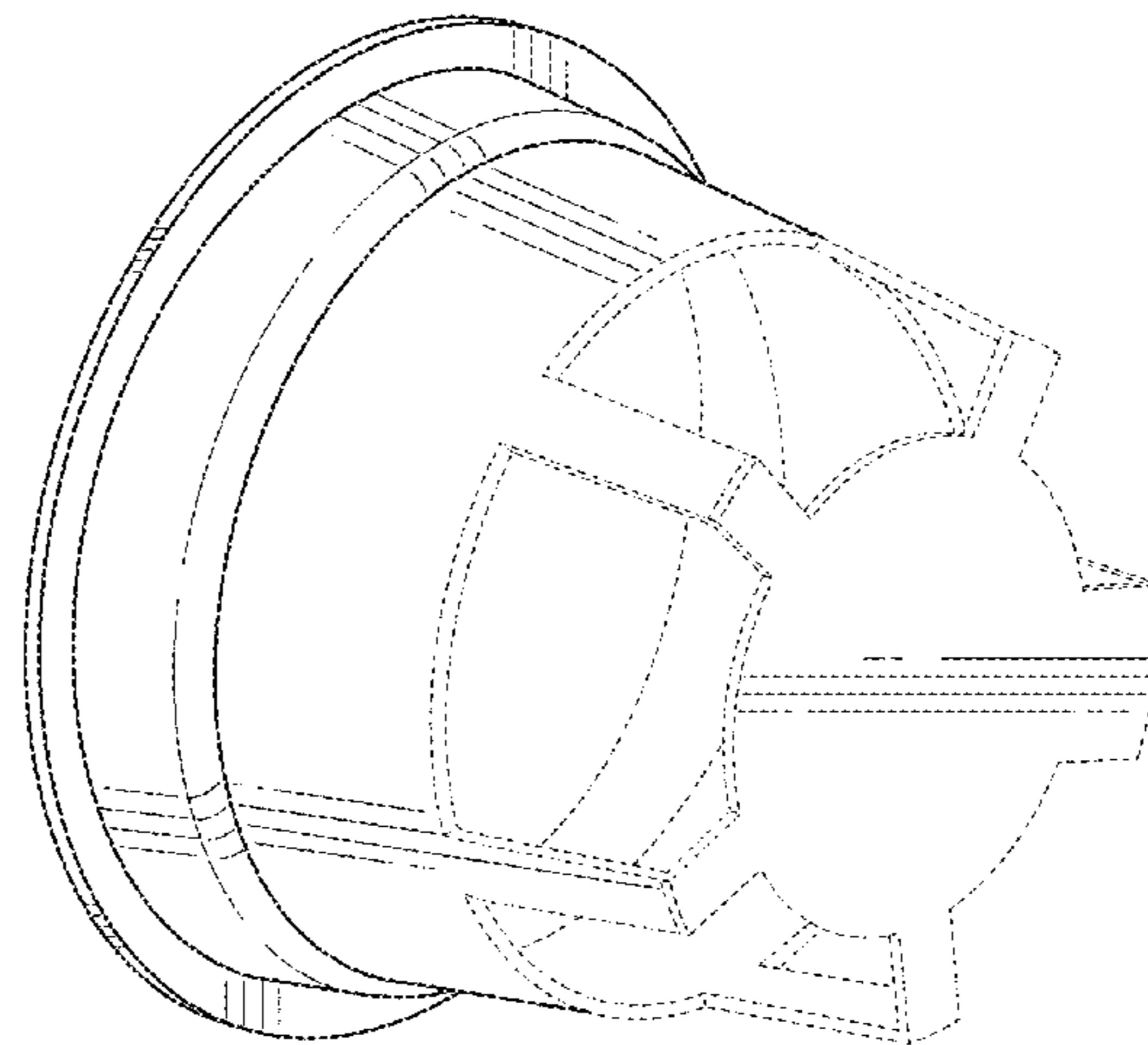
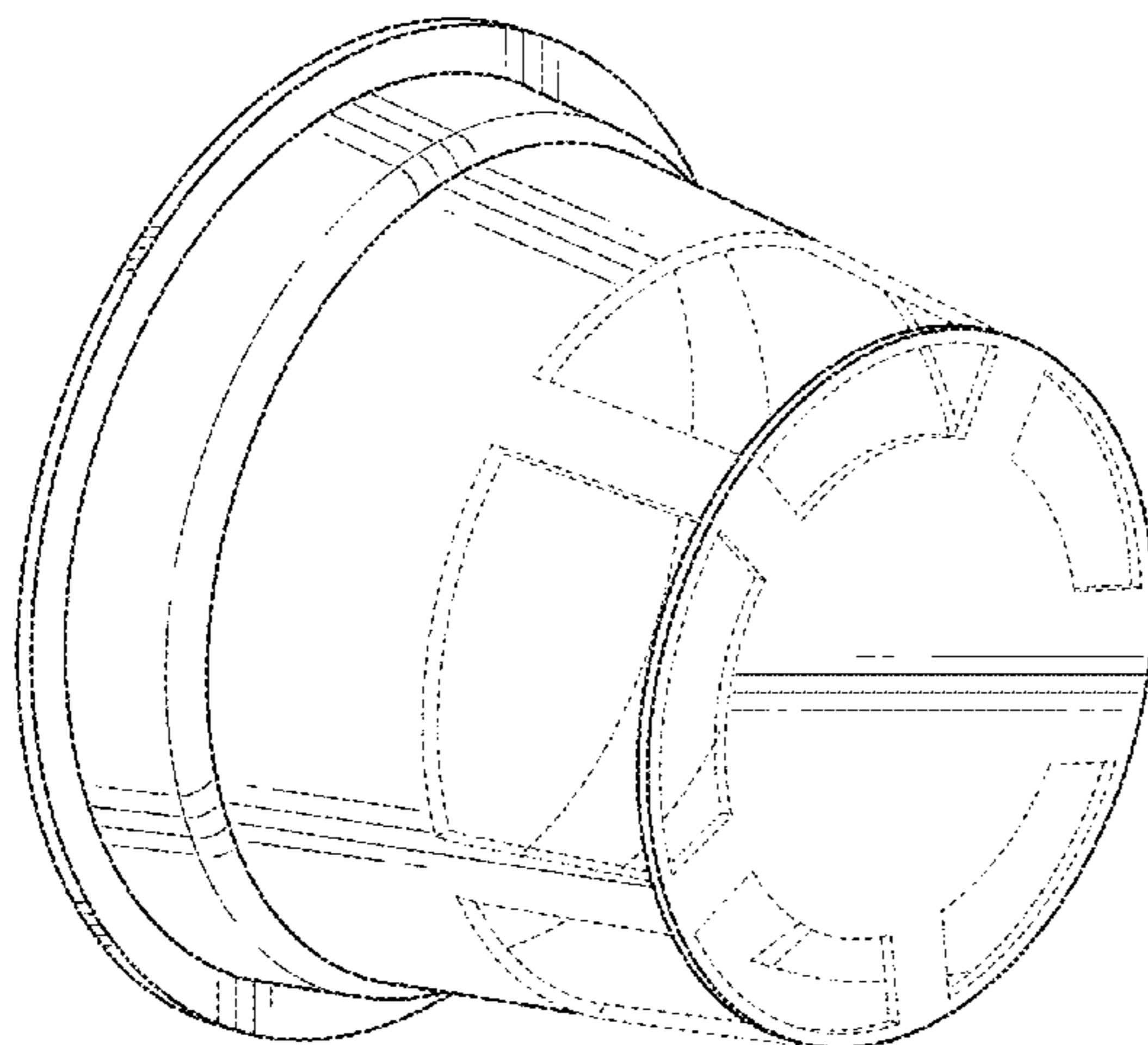
(57) **CLAIM**

The ornamental design for a cartridge for beverage dispenser, as shown and described.

DESCRIPTION

FIG. 1 is a front elevational view of a first embodiment of a cartridge for a beverage dispenser showing my new design; FIG. 2 is a top plan view thereof; FIG. 3 is an inverted perspective view thereof; FIG. 4 is perspective view thereof; FIG. 5 is a bottom plan perspective view thereof; FIG. 6 is another inverted perspective view thereof; and FIG. 7 is an alternate perspective view thereof; FIG. 8 is a front elevational view of a second embodiment of a cartridge for a beverage dispenser showing my new design; FIG. 9 is a top plan view thereof; FIG. 10 is an inverted perspective view thereof; FIG. 11 is perspective view thereof; FIG. 12 is a bottom plan perspective view thereof; FIG. 13 is another inverted perspective view thereof; and, FIG. 14 is an alternate perspective view thereof. Rear elevational views are mirror images of the front elevational views, and are therefore not shown. In the drawings, the broken lines are for the purpose of illustrating environment only and form no part of the claimed design.

1 Claim, 14 Drawing Sheets



(56)

References Cited

U.S. PATENT DOCUMENTS

D649,870 S * 12/2011 Cometto D9/424
D656,816 S * 4/2012 Glaser D9/424
D658,493 S * 5/2012 Cometto D9/503
D697,794 S * 1/2014 De Pra D9/425
D699,566 S * 2/2014 De Pra D9/425
D703,035 S * 4/2014 Zanetti D9/416
D707,490 S * 6/2014 Hertaus D7/397
D708,057 S * 7/2014 Hansen D9/429
D730,174 S * 5/2015 O'Brien D9/429
D735,581 S * 8/2015 Eble D9/520
D736,615 S * 8/2015 O'Brien D9/417
D736,617 S * 8/2015 Sy D9/429
D739,475 S * 9/2015 Reed D21/472
2010/0000415 A1 1/2010 Vanni et al.

2013/0025466 A1 1/2013 Fu et al.
2013/0136828 A1* 5/2013 Anghileri B31B 3/00
426/112
2013/0156898 A1 6/2013 Fisk et al.

OTHER PUBLICATIONS

“Trader Joe’s Single Serve Coffee Cups, reviewed” by Nicole, Nov. 7, 2013, Brewed Daily (7 pages) as found at <https://web.archive.org/web/20131113145748/http://breweddaily.com/2013/11/trader-joes-single-serve-coffee-cups-reviewed/>.
Schematic diagrams of single serve coffee cup shown in “Trader Joe’s Single Serve Coffee Cups, reviewed” by Nicole, Nov. 7, 2013, Brewed Daily as shown in citation CA.
Office Action dated Jan. 29, 2016 from U.S. Appl. No. 14/581,706.

* cited by examiner

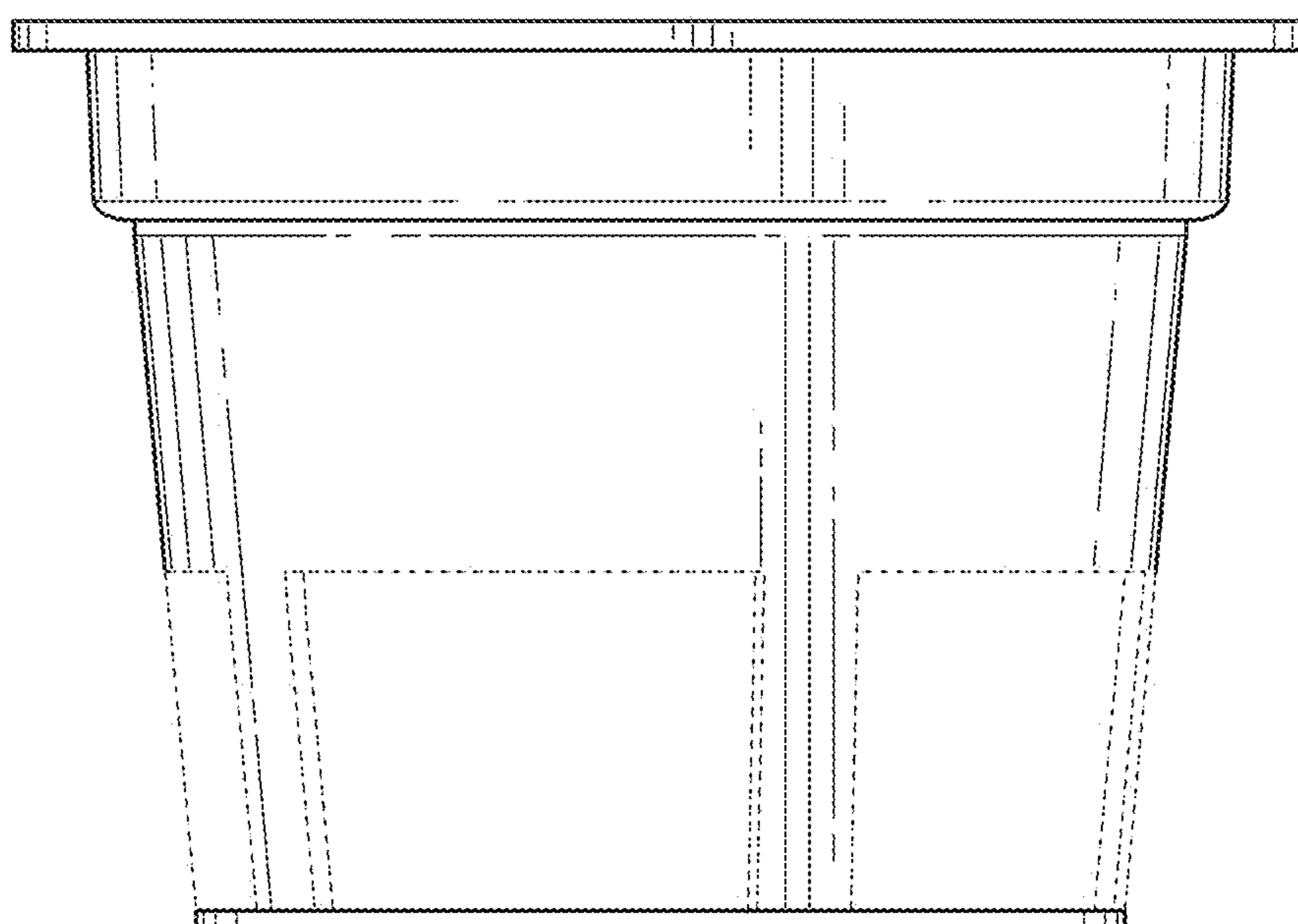


FIG. 1

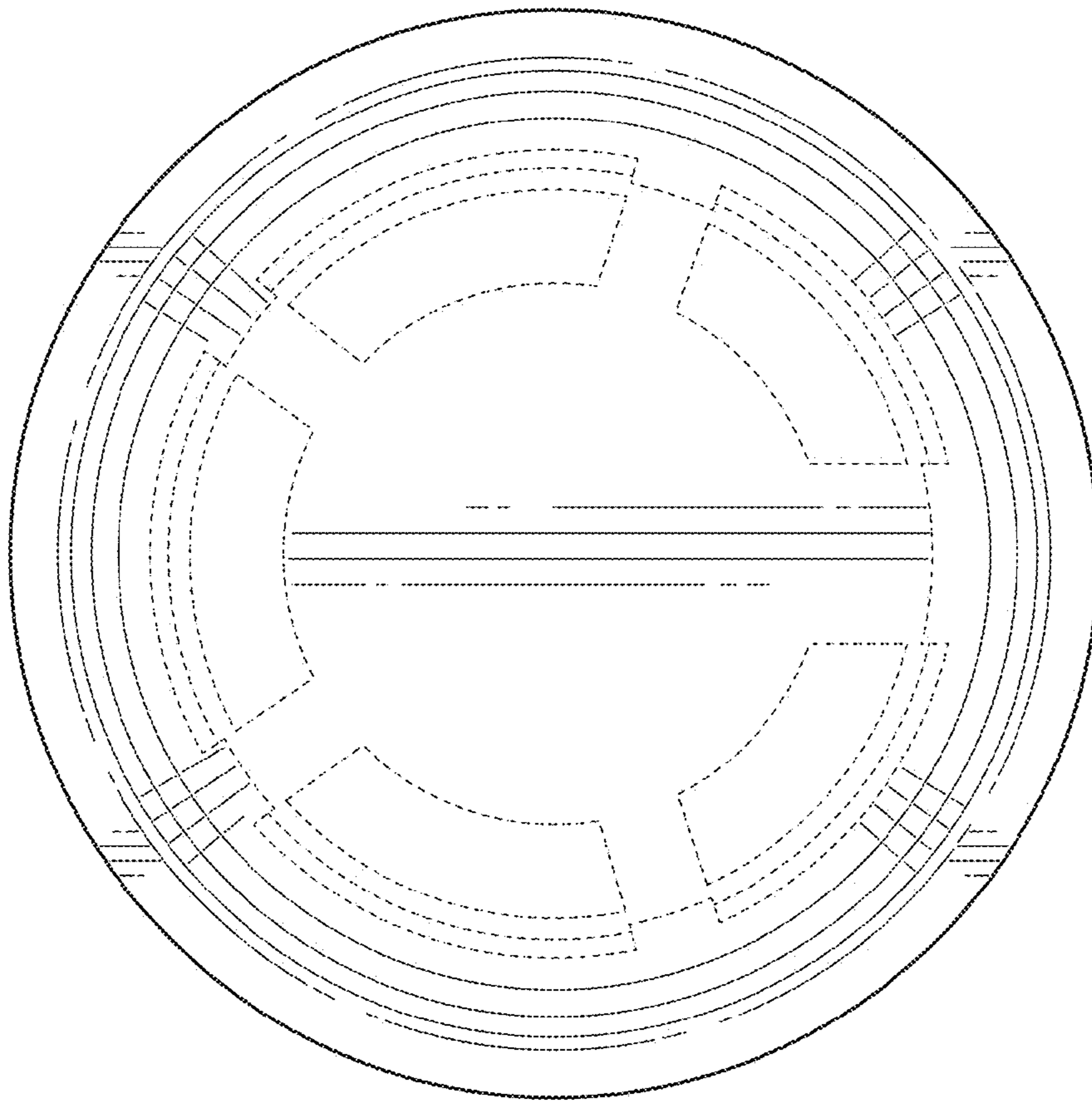


FIG. 2

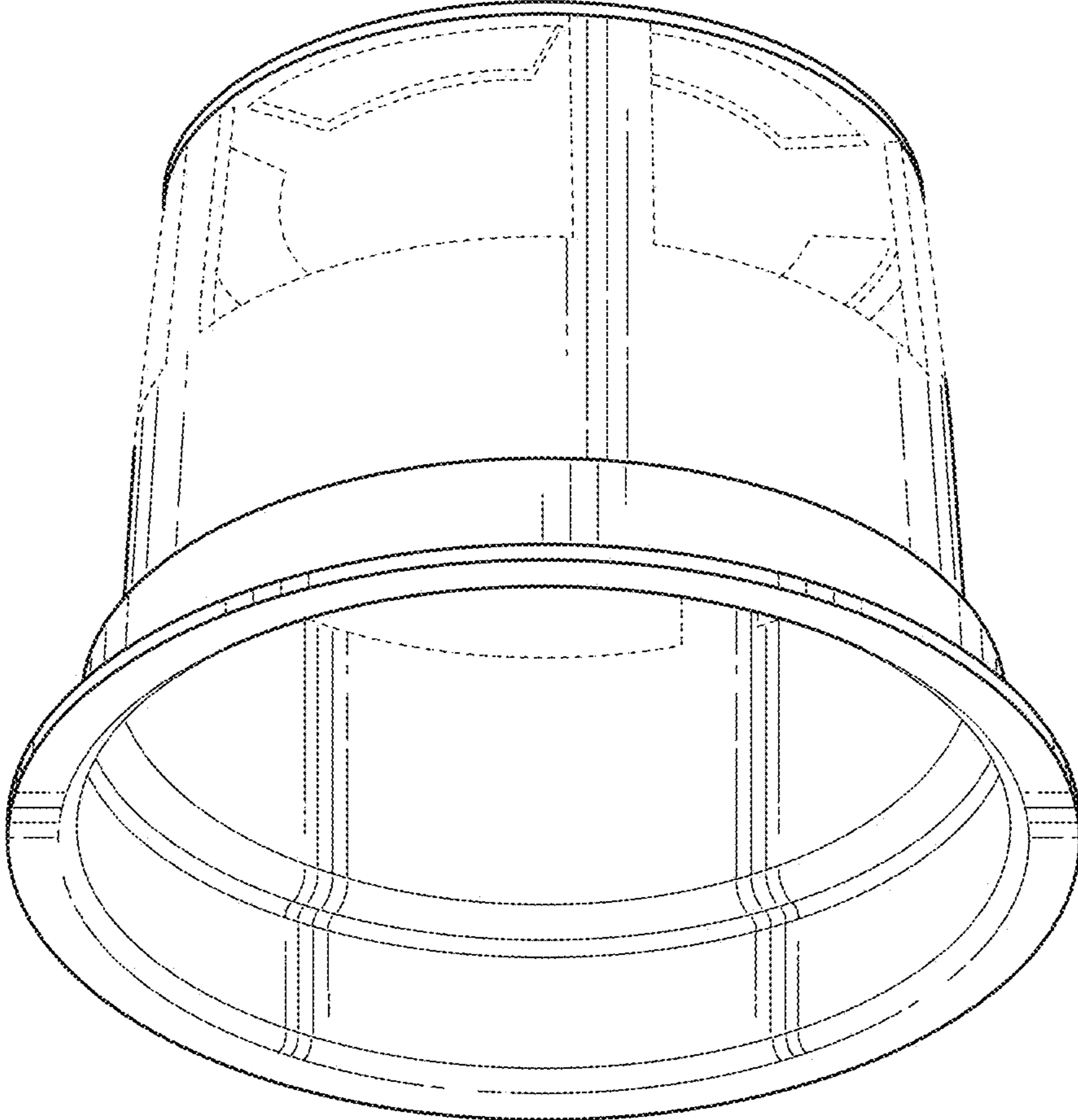


FIG. 3

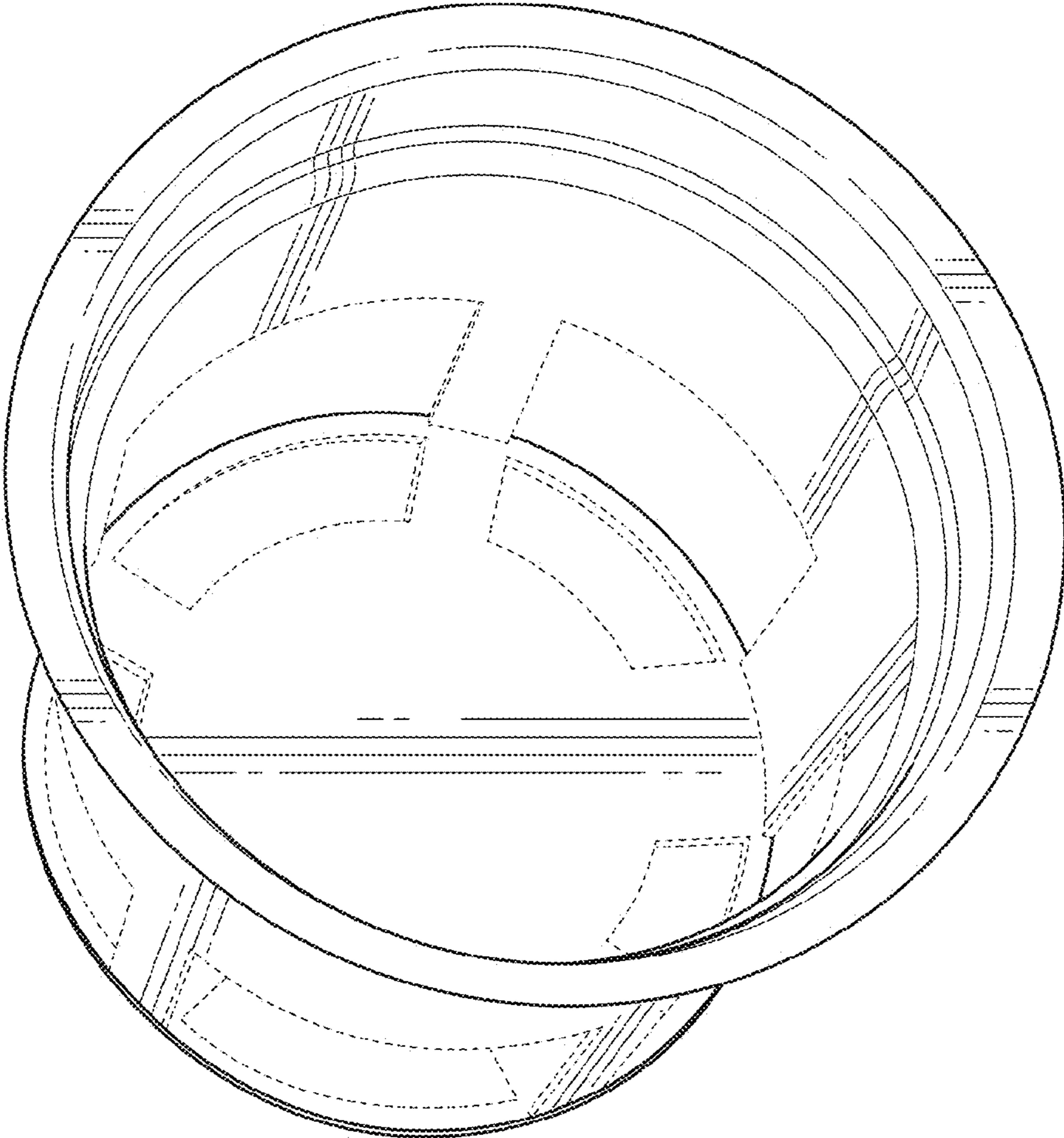


FIG. 4

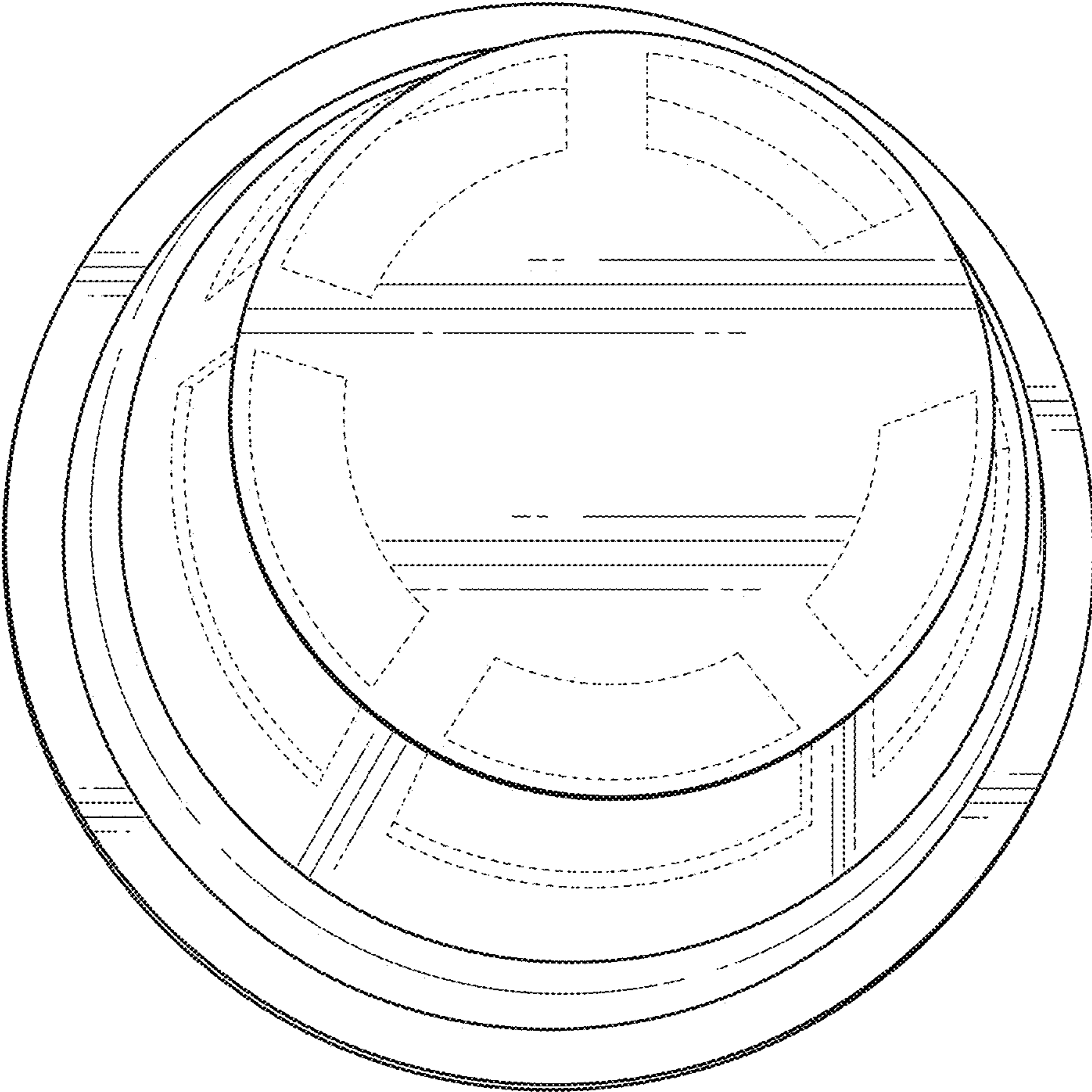


FIG. 5

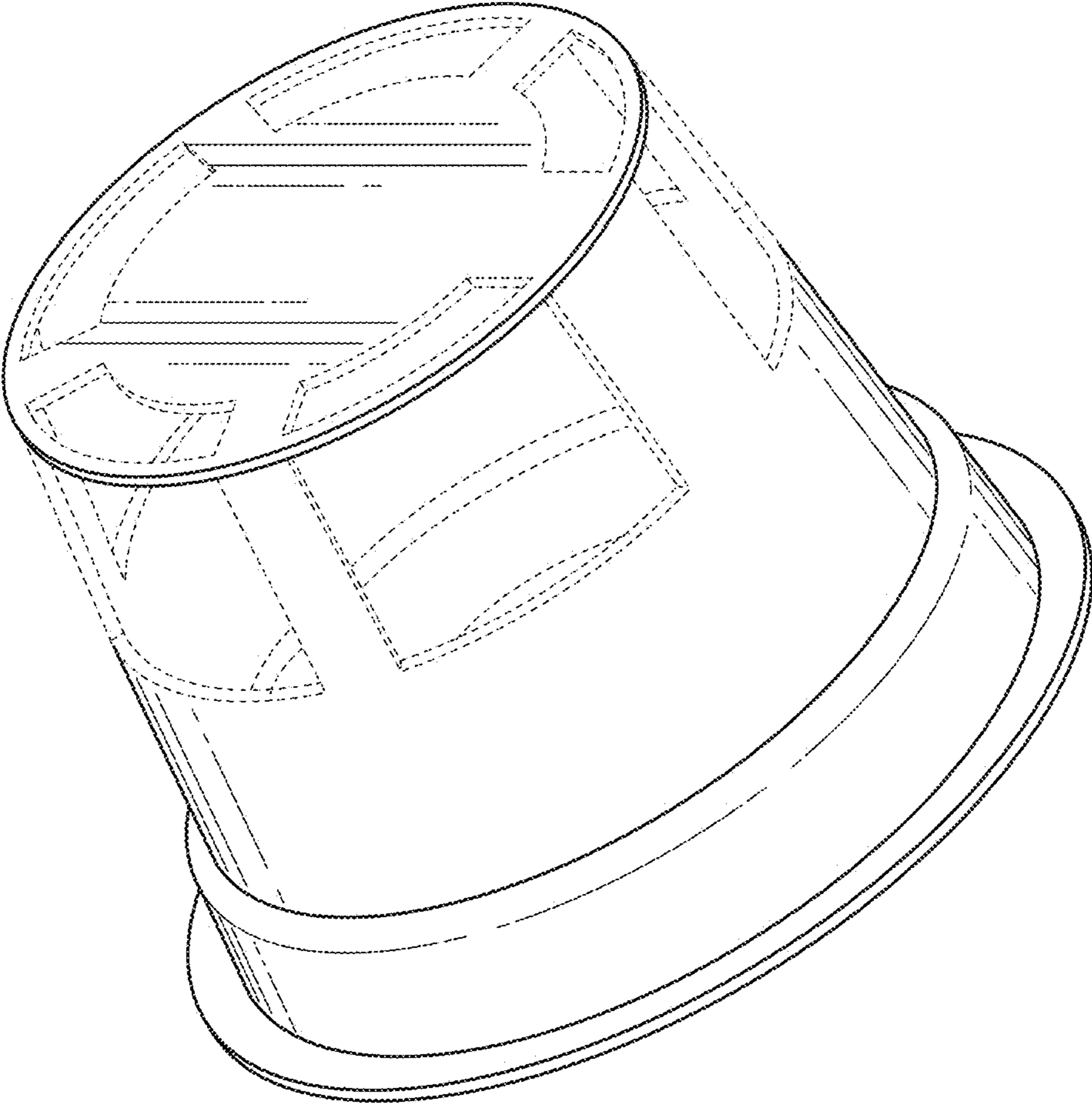


FIG. 6

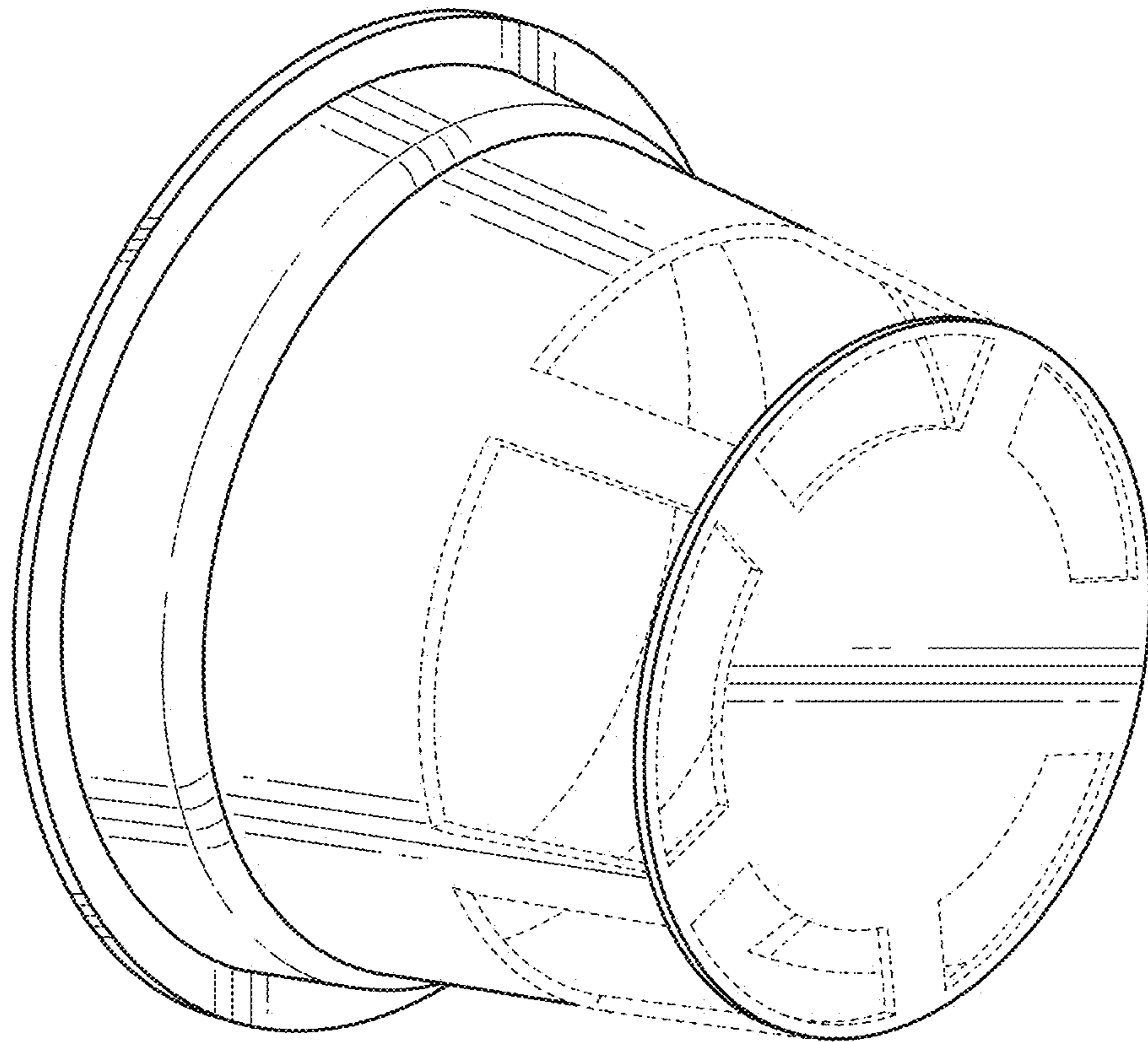


FIG. 7

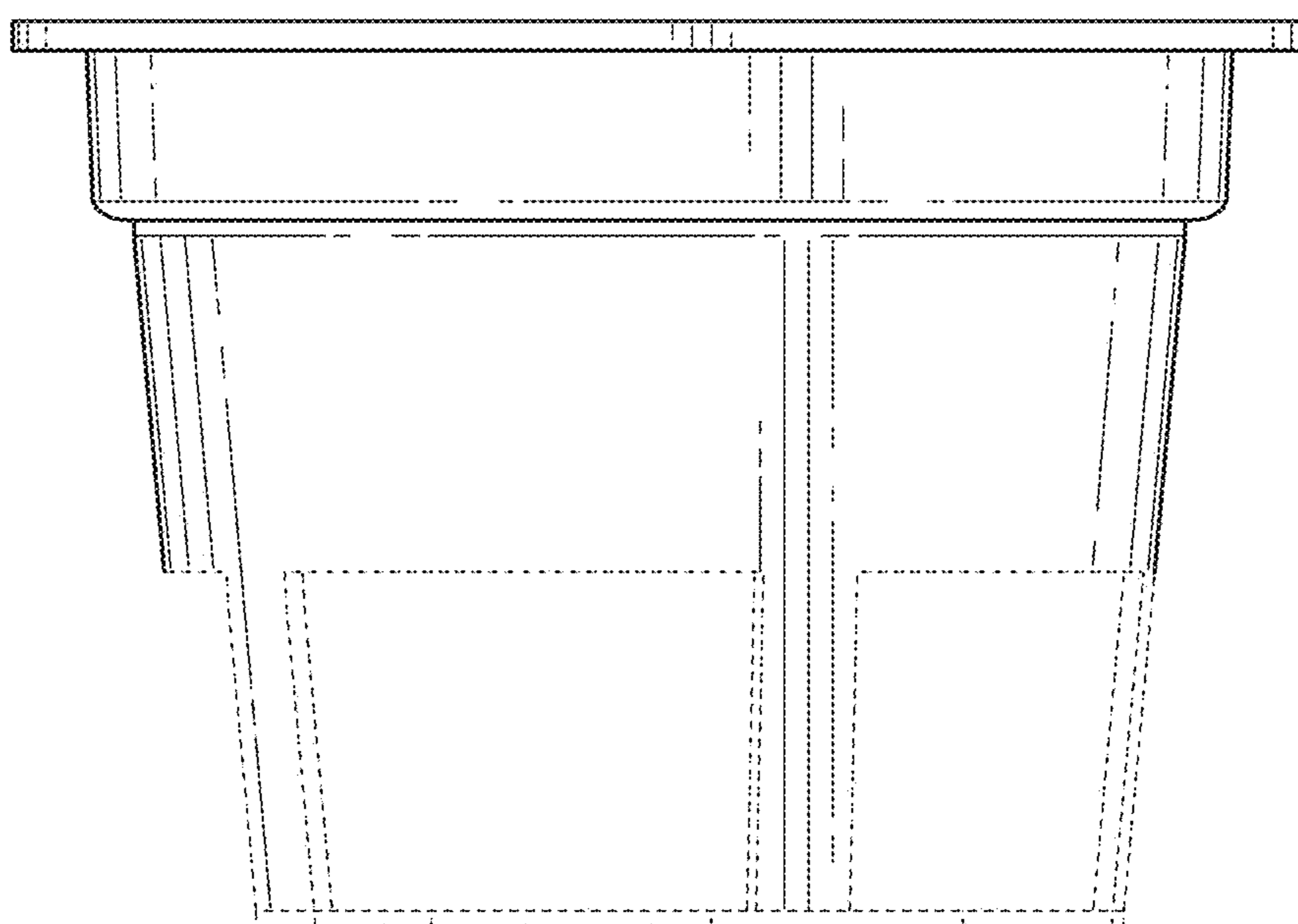


FIG. 8

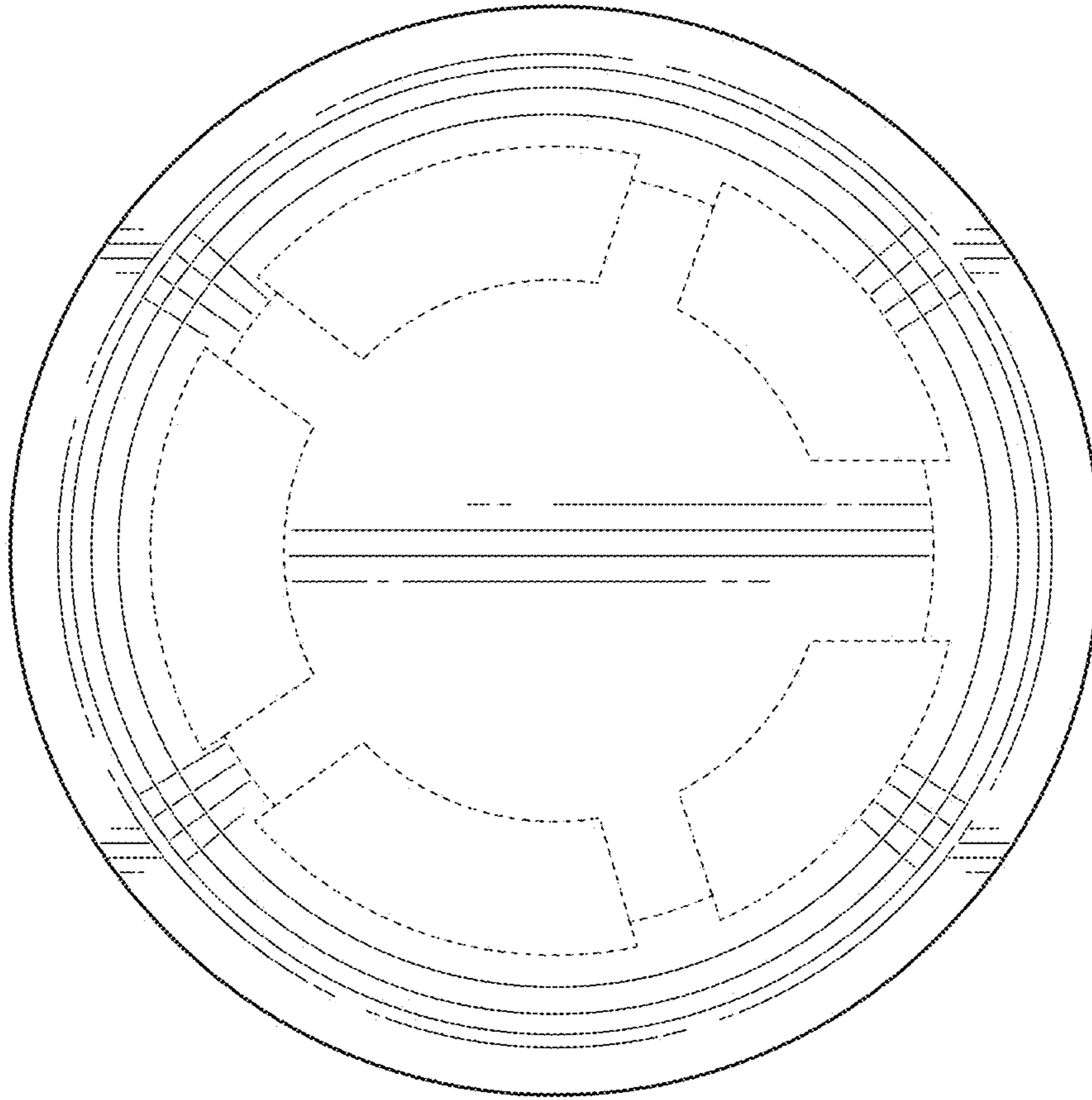


FIG. 9

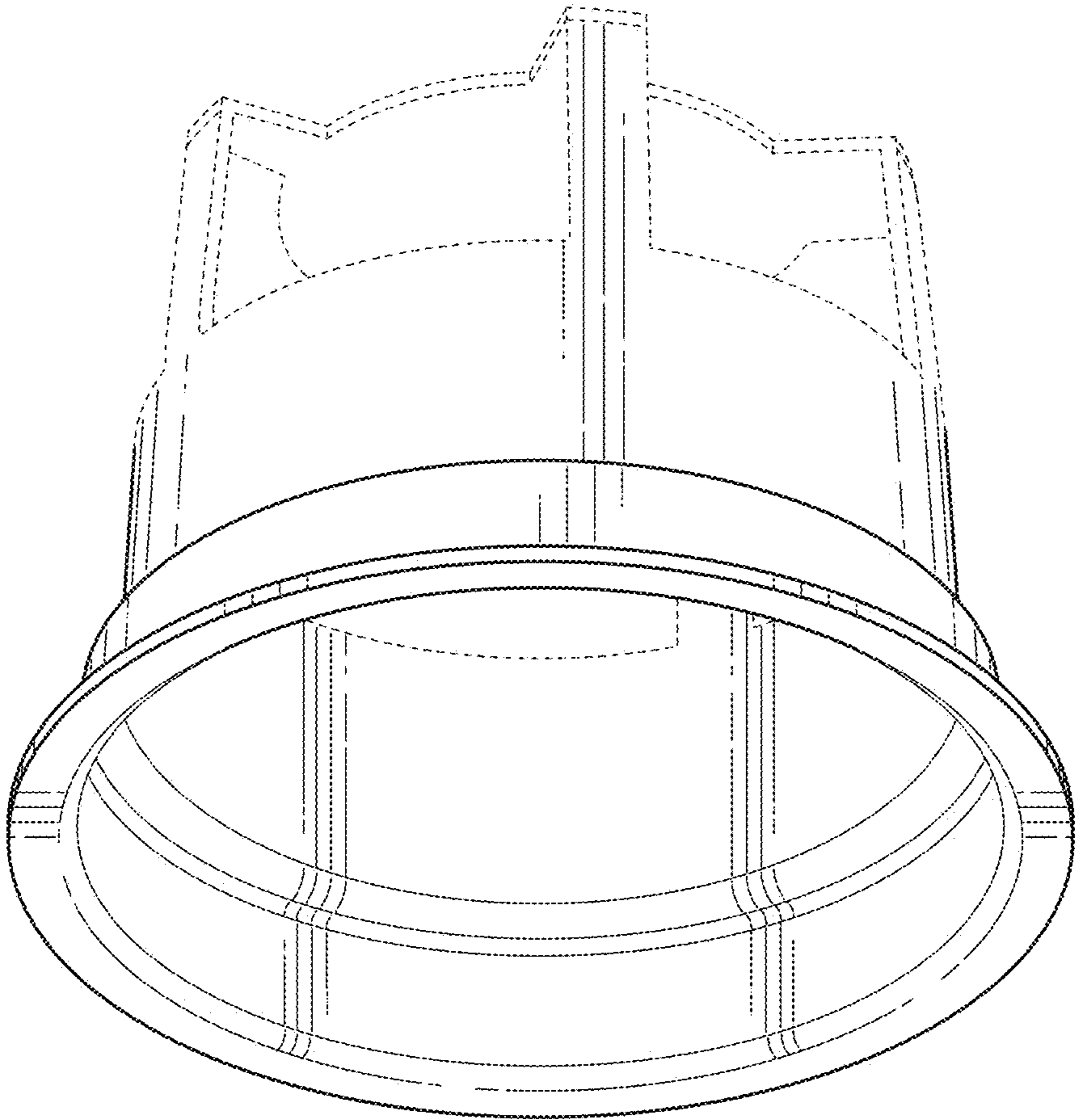


FIG. 10

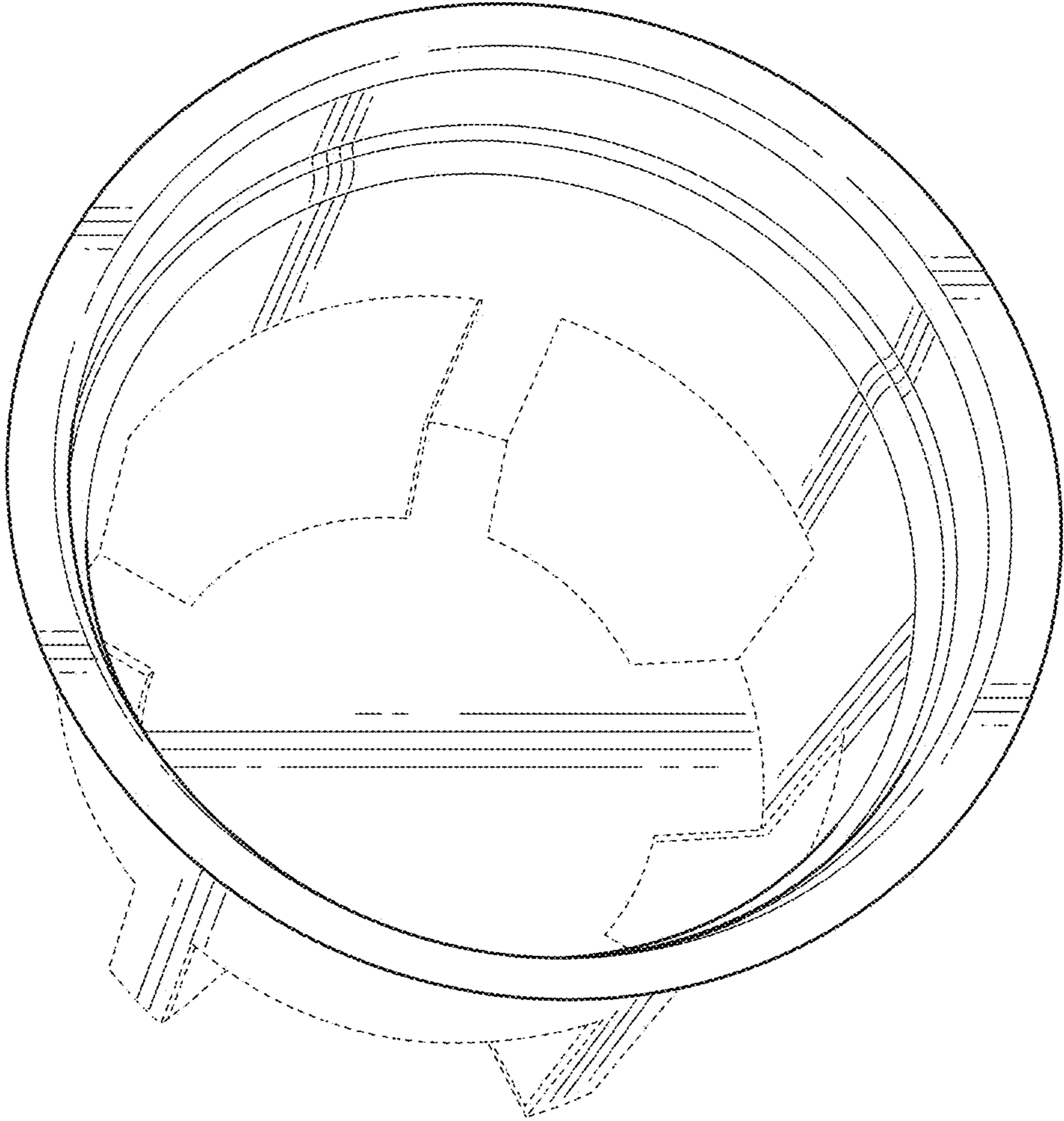


FIG. 11

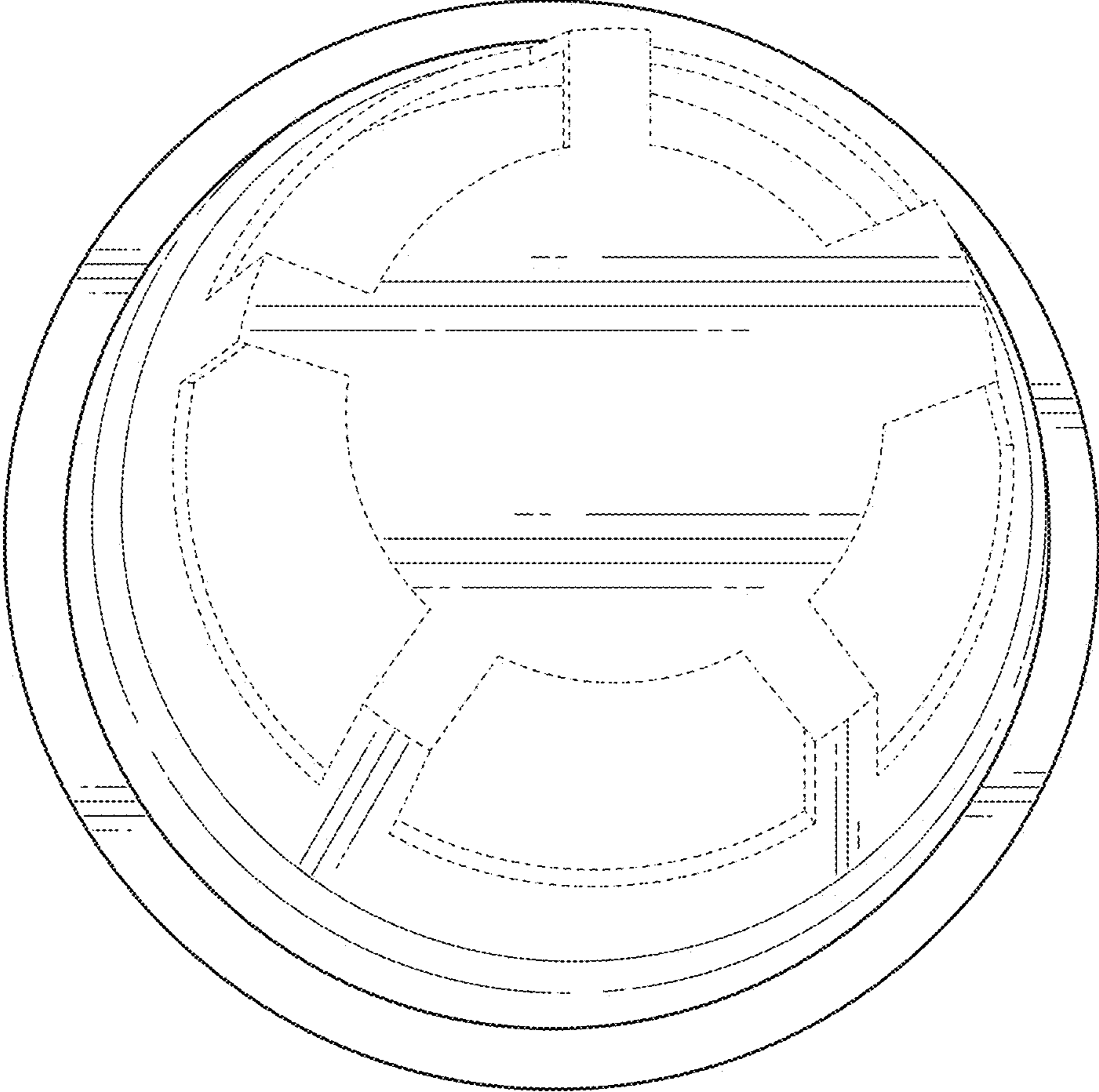


FIG. 12

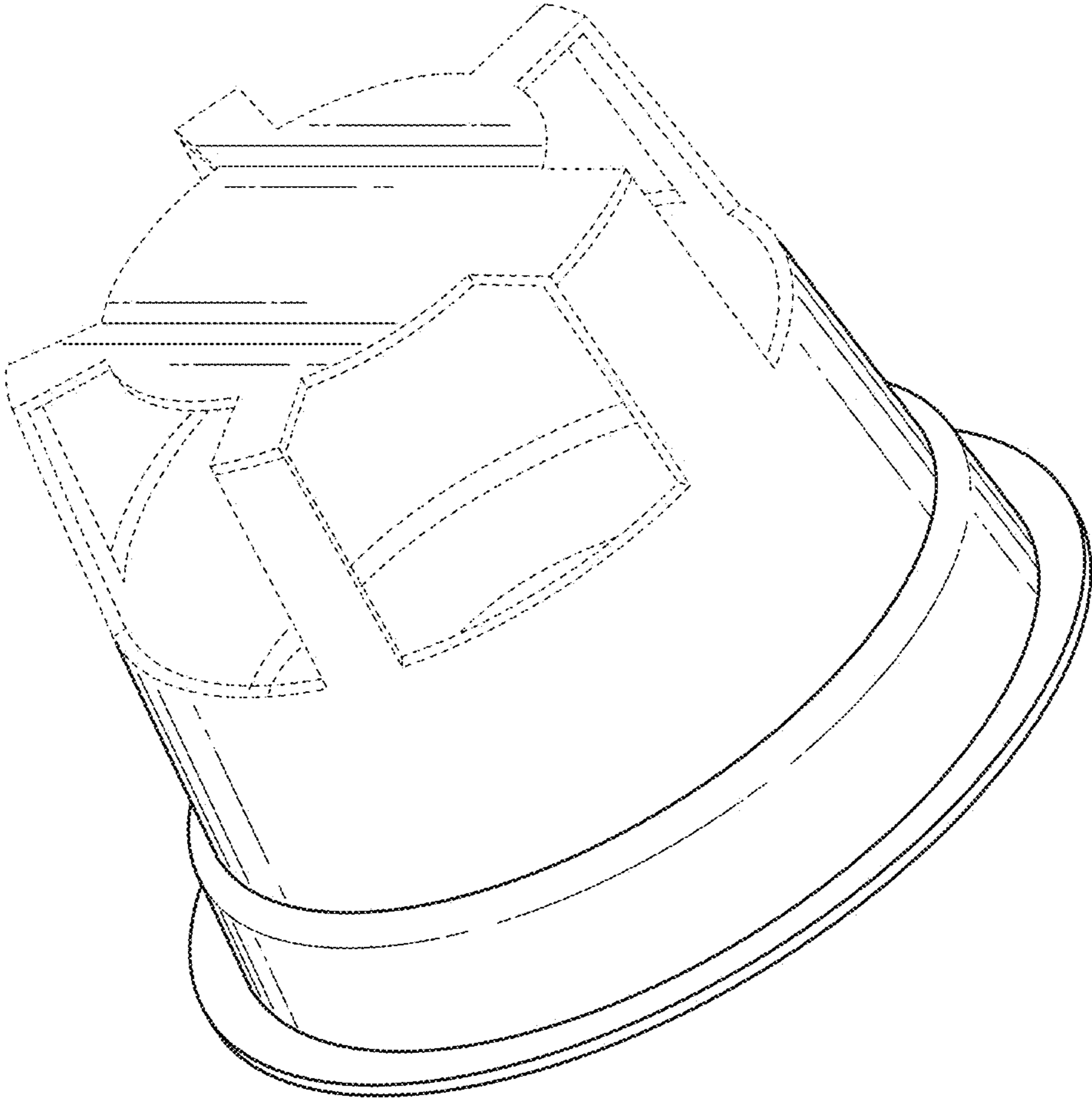


FIG. 13

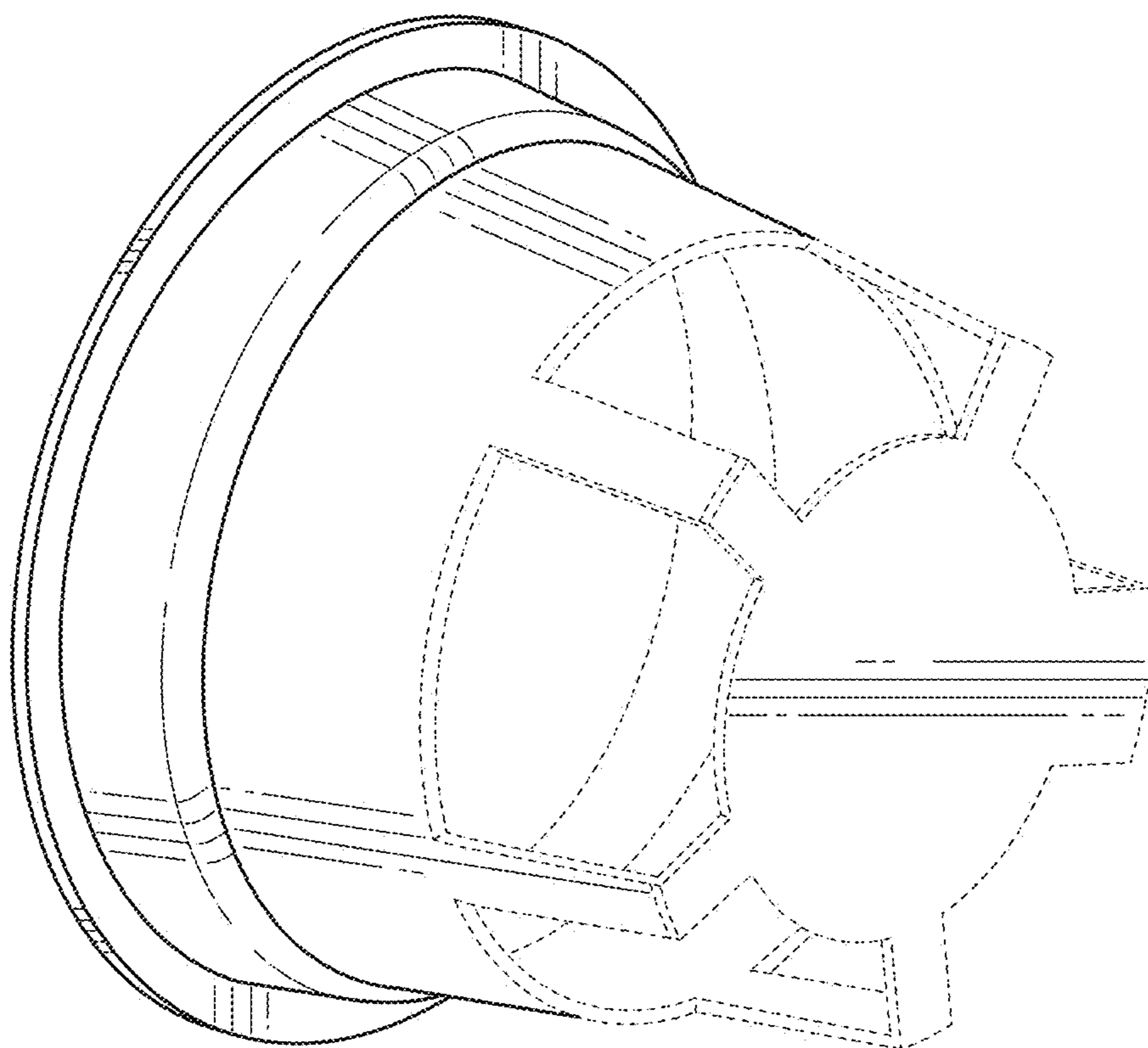


FIG. 14