

US00D760583S

(12) **United States Design Patent**  
**Weilage**

(10) **Patent No.:** **US D760,583 S**  
(45) **Date of Patent:** **\*\* Jul. 5, 2016**

- (54) **CLAMP**
- (71) Applicant: **Seth D. Weilage**, Council Bluffs, IA  
(US)
- (72) Inventor: **Seth D. Weilage**, Council Bluffs, IA  
(US)
- (\*\*) Term: **14 Years**
- (21) Appl. No.: **29/518,352**
- (22) Filed: **Feb. 23, 2015**
- (51) **LOC (10) Cl.** ..... **08-08**
- (52) **U.S. Cl.**  
USPC ..... **D8/396; D8/395**
- (58) **Field of Classification Search**  
USPC ..... D8/394–396, 349–356, 373, 400;  
D24/138  
CPC ..... H01R 11/11; H01R 11/281; F16L 23/036;  
F16L 3/13; F16L 3/1058; E04B 2/74; E04B  
2/7442  
See application file for complete search history.

- 5,462,212 A \* 10/1995 Hertel, Jr. .... B60R 7/08  
206/86
- D366,410 S \* 1/1996 Schlabach ..... D25/121
- 5,642,557 A \* 7/1997 Clews ..... E04B 2/7442  
24/298
- D383,971 S \* 9/1997 Garfinkle ..... D8/395
- D388,833 S \* 1/1998 Wilson ..... D20/22
- D417,141 S \* 11/1999 Senninger ..... D8/395
- D440,005 S \* 4/2001 Blanton ..... 24/16 R
- D470,937 S \* 2/2003 Gary ..... D24/138
- D473,128 S \* 4/2003 Costa ..... D8/396
- D479,983 S \* 9/2003 Wall ..... D25/119
- D537,331 S \* 2/2007 Hill ..... D8/395

(Continued)

FOREIGN PATENT DOCUMENTS

CN 3617596 \* 3/2007

OTHER PUBLICATIONS

Tool Clips—Narrow Base < Screw Fixed Cable Clips, online,  
website copyright 2016, [site visited Feb. 4, 2016], [http://www.  
jetpress.com/Products.aspx/rdbpqhktxs/ToolClips-NarrowBase/](http://www.jetpress.com/Products.aspx/rdbpqhktxs/ToolClips-NarrowBase/).\*

(Continued)

*Primary Examiner* — John Windmuller  
*Assistant Examiner* — John R Yeh  
(74) *Attorney, Agent, or Firm* — Dennis L. Thomte; Thomte  
Patent Law Office LLC

(56) **References Cited**  
U.S. PATENT DOCUMENTS

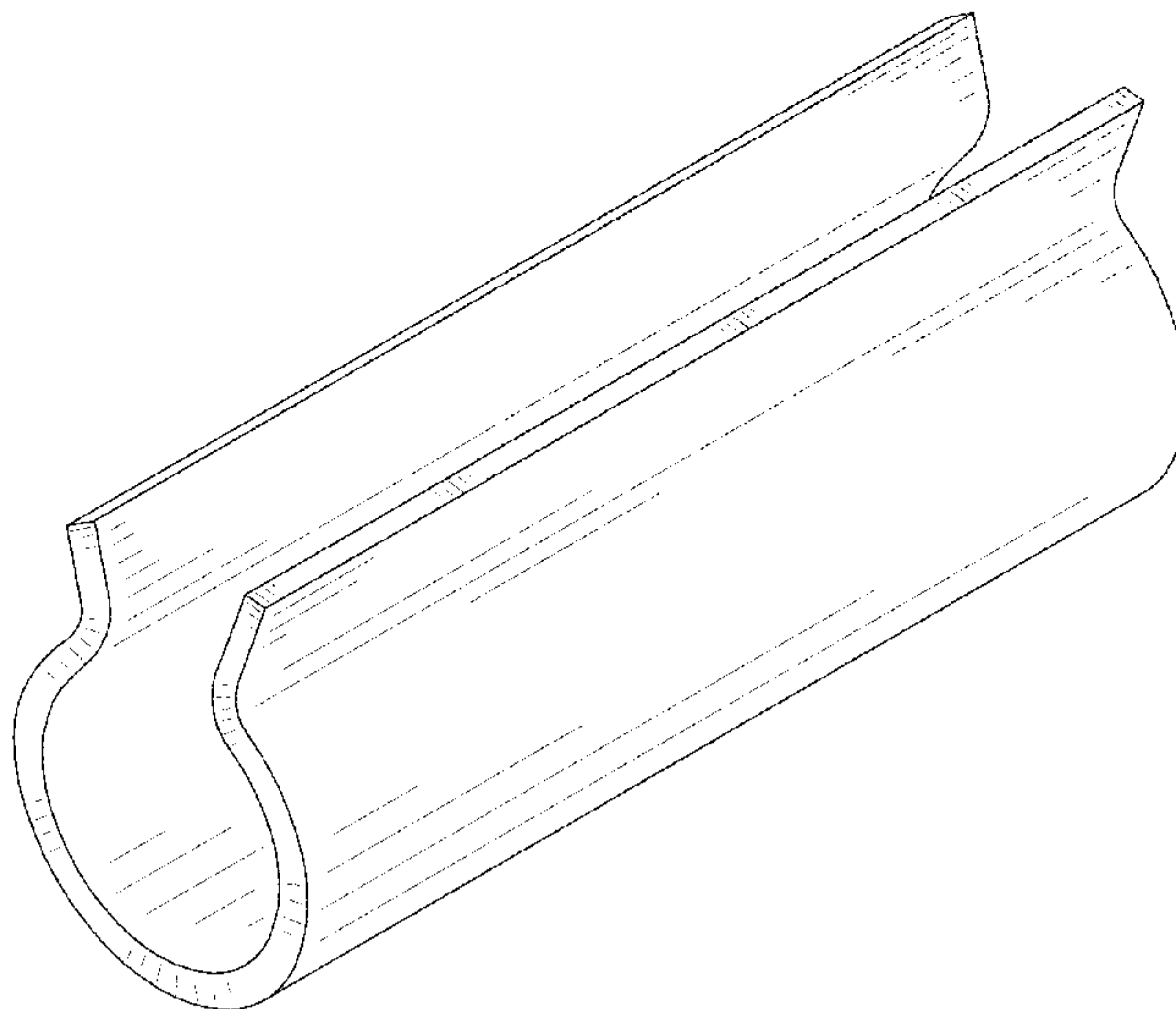
- 1,329,816 A \* 2/1920 Winslow ..... F16M 1/04  
248/126
- 3,313,009 A \* 4/1967 Beckerer ..... F16L 3/13  
248/74.2
- D208,105 S \* 7/1967 Haber ..... D20/43
- D280,111 S \* 8/1985 Brus ..... D20/43
- D295,725 S \* 5/1988 Shioda ..... D8/380
- D298,739 S \* 11/1988 Richards, Jr. .... D22/110
- D307,650 S \* 5/1990 Murdock ..... D29/129
- D309,280 S \* 7/1990 Balfanz-Lee ..... D11/201
- D328,187 S \* 7/1992 Saurette ..... 294/171
- 5,299,367 A \* 4/1994 Johnson ..... A45D 2/24  
132/221
- 5,332,090 A \* 7/1994 Tucker ..... A63B 55/408  
206/315.3

(57) **CLAIM**  
The ornamental design for a clamp, as shown and described.

**DESCRIPTION**

FIG. 1 is a perspective view of the clamp of this invention;  
FIG. 2 is a back view of the clamp of this invention;  
FIG. 3 is a front view of the clamp of this invention;  
FIG. 4 is top view of the clamp of this invention;  
FIG. 5 is a bottom view of the clamp of this invention; and,  
FIG. 6 is a typical side view of the clamp of this invention.

**1 Claim, 3 Drawing Sheets**



(56)

**References Cited**

U.S. PATENT DOCUMENTS

D624,397 S \* 9/2010 Ball ..... D8/396  
D723,363 S \* 3/2015 Symons ..... D8/396  
D745,382 S \* 12/2015 Faria ..... D8/396

OTHER PUBLICATIONS

Product Categories HD Cameras, clip, online, website copyright 2016, <http://steadimoves.com/product-category/hd-cameras/>, [site visited Feb. 4, 2016 7:34:07 PM].\*

\* cited by examiner

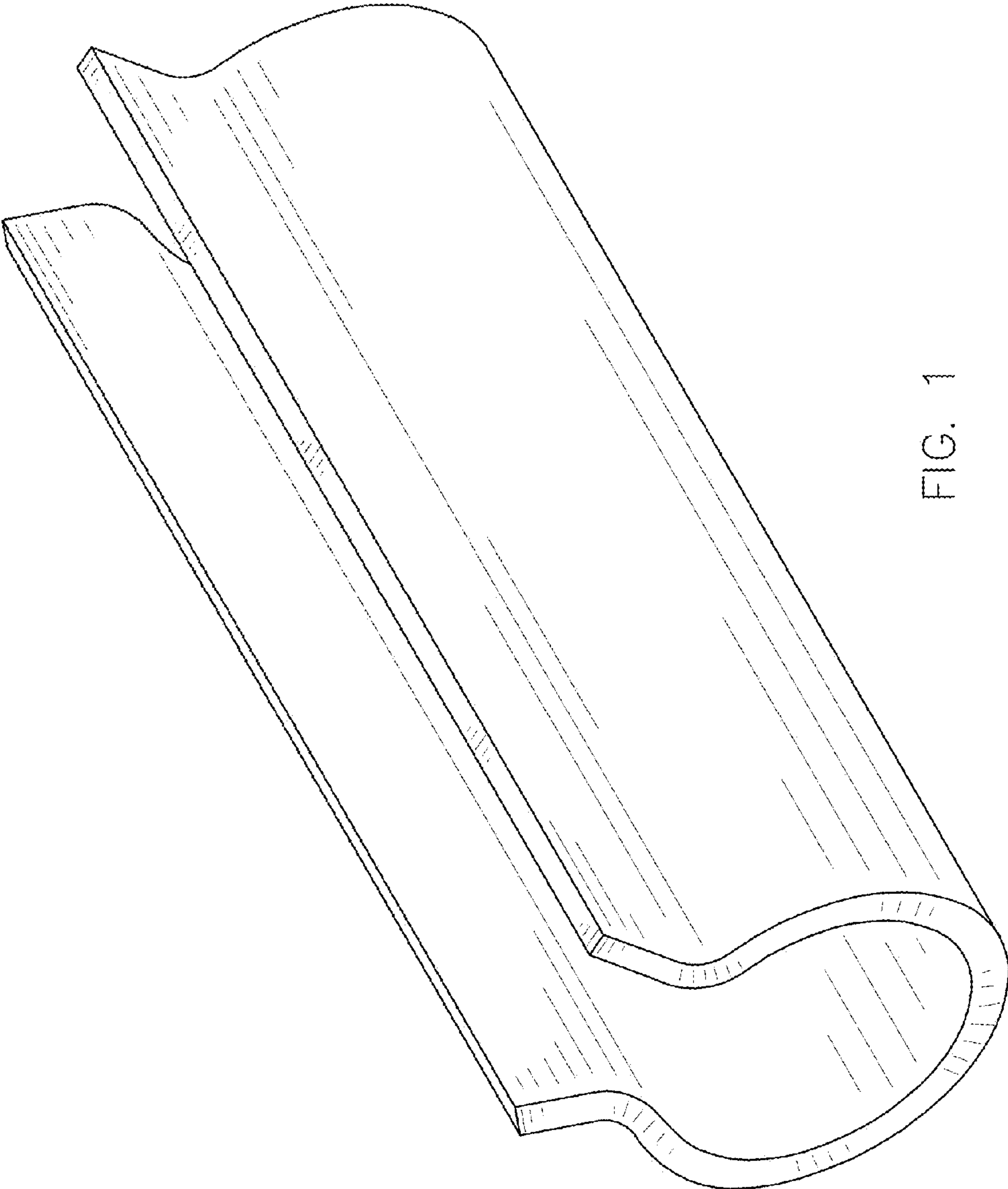


FIG. 1

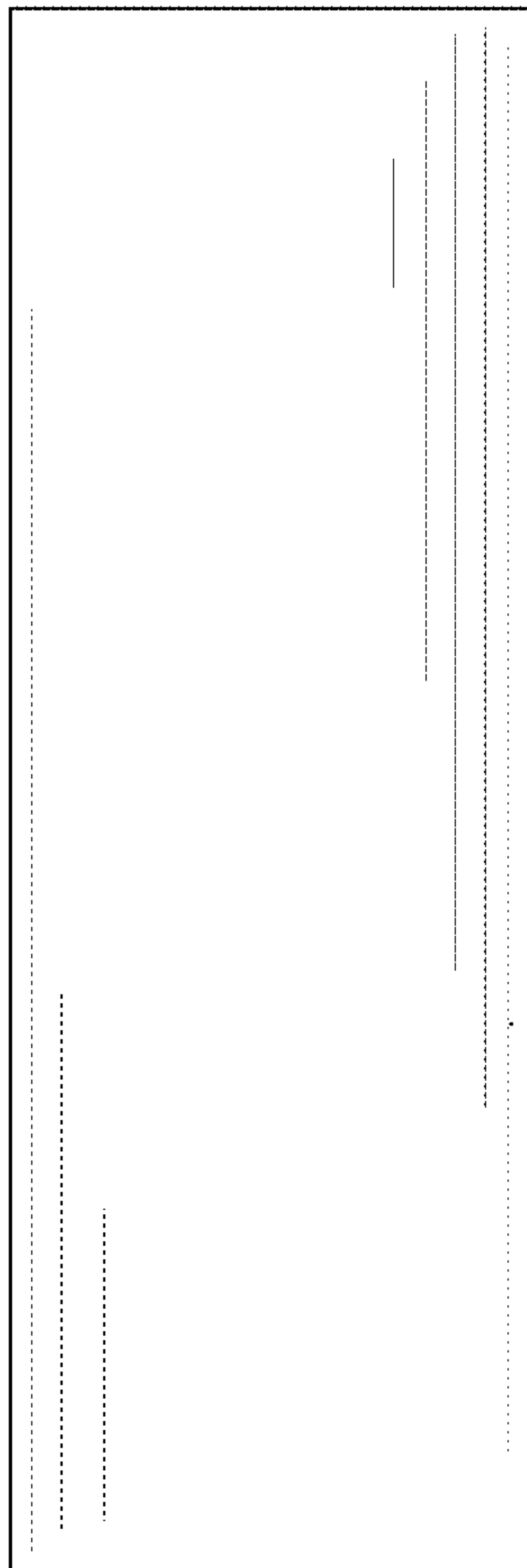


FIG. 2

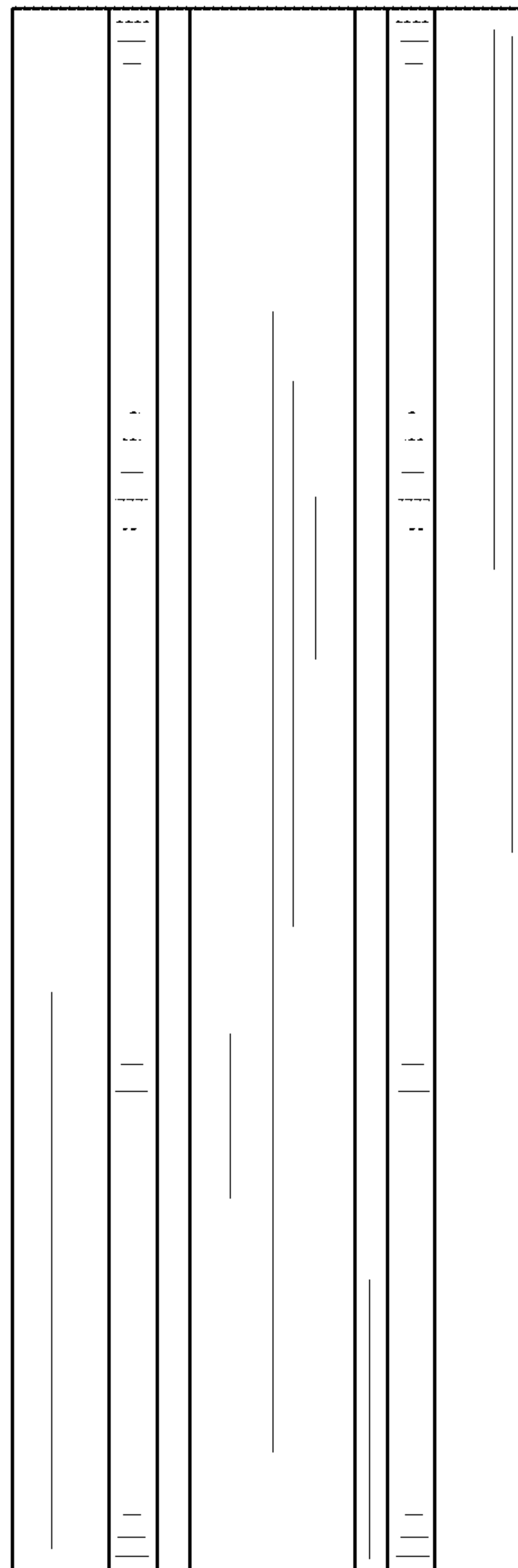


FIG. 3

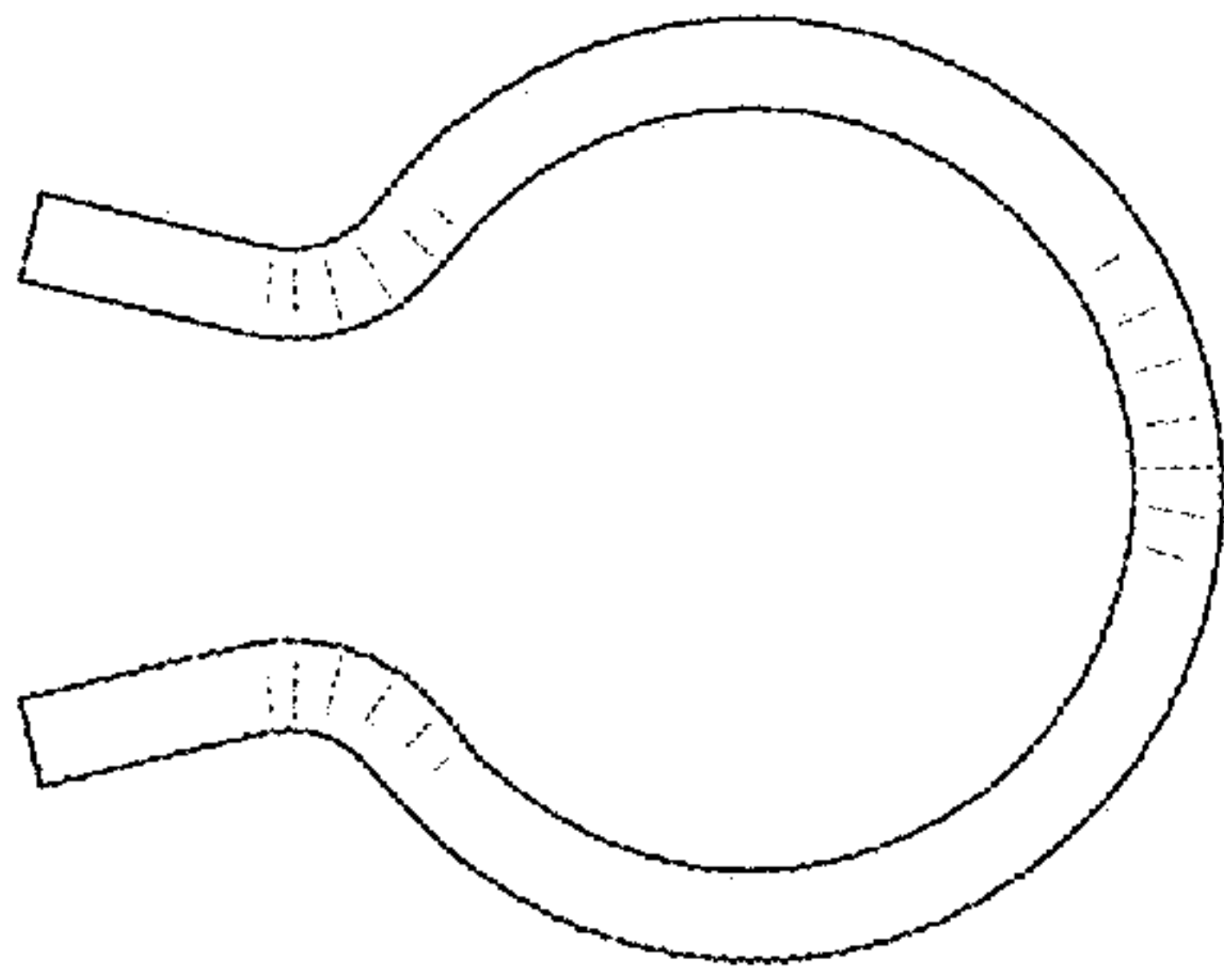


FIG. 4

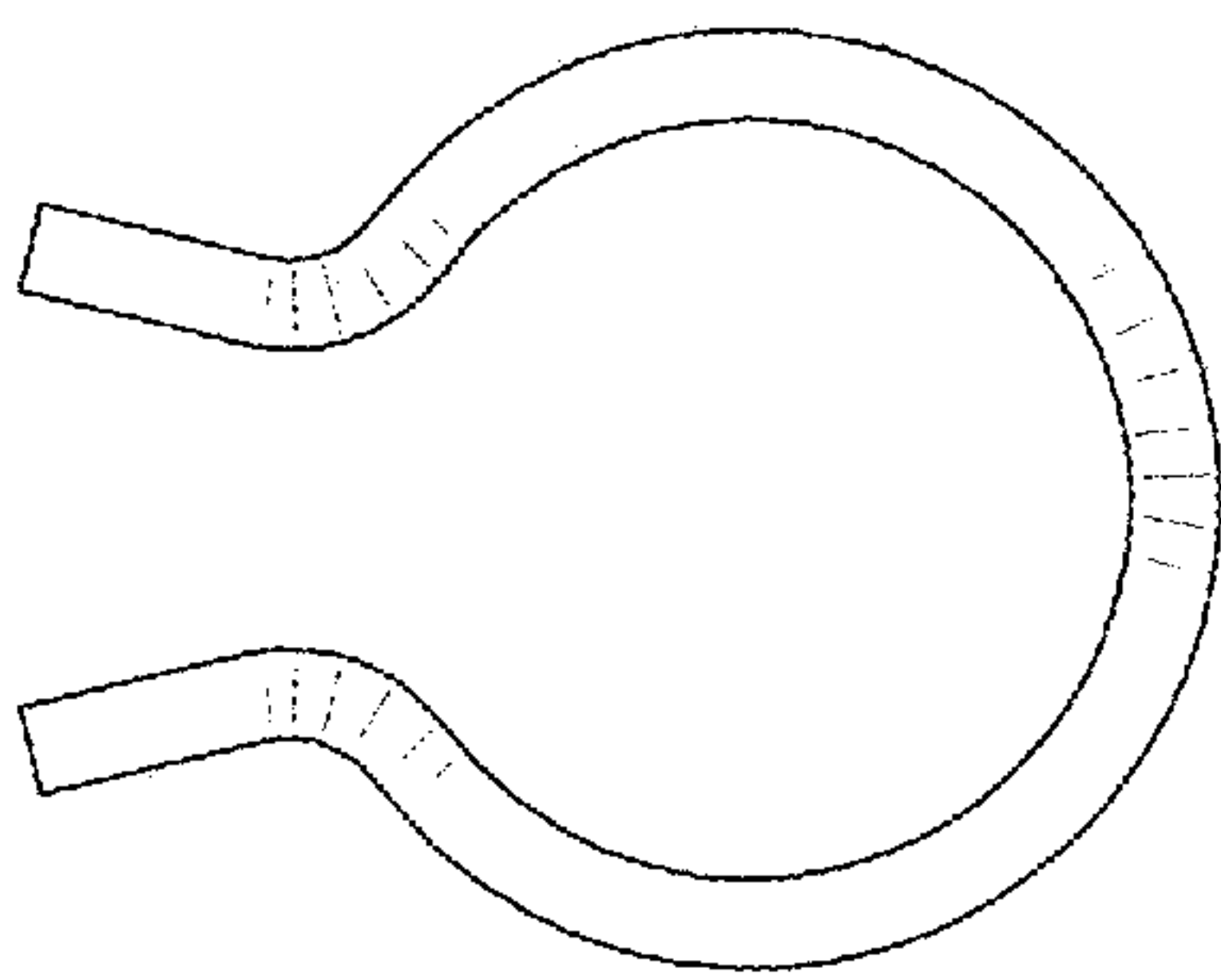


FIG. 5

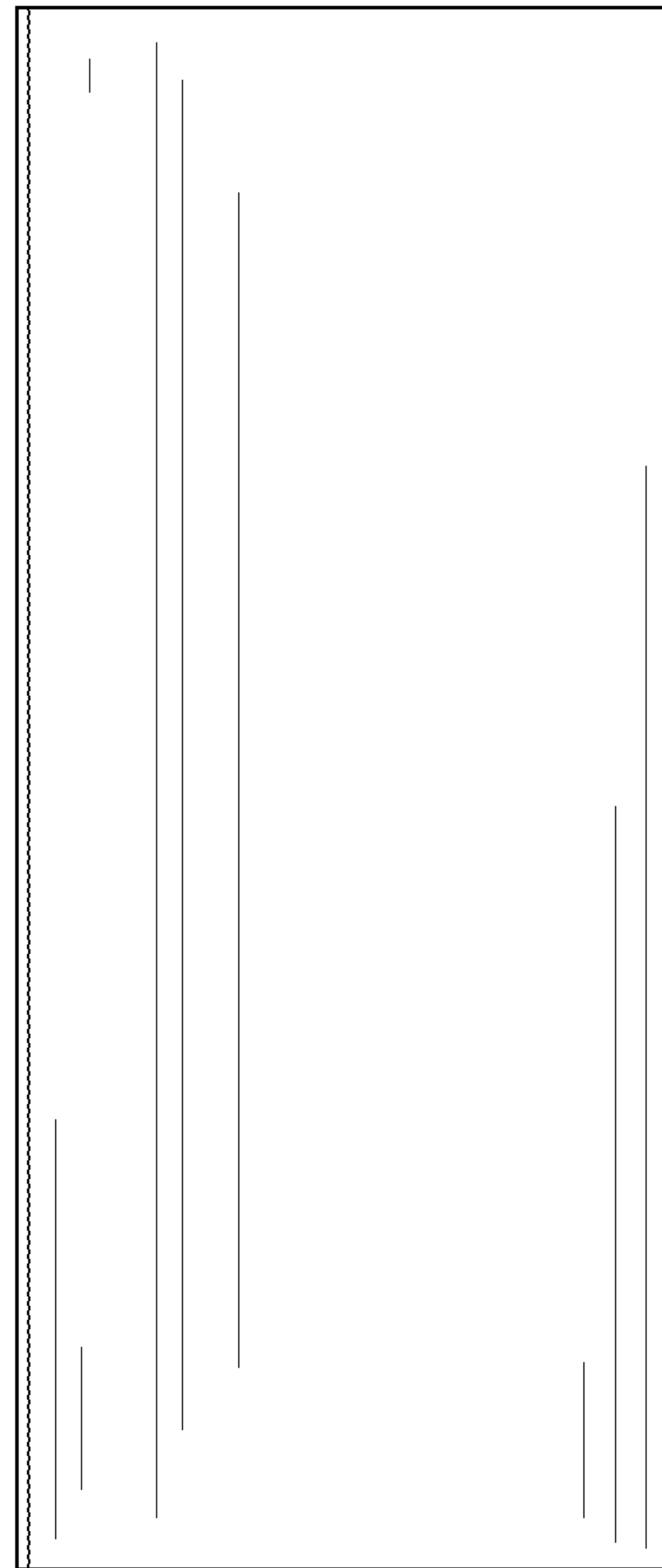


FIG. 6