

US00D760579S

(12) **United States Design Patent**
Tonthat et al.

(10) **Patent No.:** **US D760,579 S**
(45) **Date of Patent:** **** Jul. 5, 2016**

- (54) **BRACKET**
- (71) Applicant: **Innovation First, Inc.**, Greenville, TX (US)
- (72) Inventors: **Hoainam James Tonthat**, Greenville, TX (US); **Robert H. Mimlitch, III**, Rowlett, TX (US); **Juan Carlos Valles**, Forney, TX (US); **James Whitney Wilson**, Nevada, TX (US)
- (73) Assignee: **Innovation First, Inc.**, Greenville, TX (US)
- (**) Term: **14 Years**
- (21) Appl. No.: **29/526,518**
- (22) Filed: **May 11, 2015**

Related U.S. Application Data

- (62) Division of application No. 29/468,062, filed on Sep. 26, 2013, now Pat. No. Des. 733,530.
- (51) **LOC (10) Cl.** **08-05**
- (52) **U.S. Cl.**
USPC **D8/354**
- (58) **Field of Classification Search**
USPC D8/349, 354-356, 363-367, 370-373, D8/380, 382, 384, 381; D25/199; 248/215, 248/465.1, 112, 153, 175, 218.1, 218.2, 248/302, 303
CPC A47B 96/06; A47B 96/062; A47B 96/063; A47B 96/066; A47B 96/067; A47B 96/068
See application file for complete search history.

(56) **References Cited**

U.S. PATENT DOCUMENTS

- 1,431,662 A * 10/1922 Horning B60T 17/046
248/300
- 4,313,384 A * 2/1982 Holden B61F 5/32
105/225

- 4,380,199 A * 4/1983 Thomson F16C 33/201
105/207
- 4,440,095 A * 4/1984 Mathieu B61F 5/32
105/207
- 4,478,154 A * 10/1984 Holden B61F 5/32
105/225
- 5,406,448 A * 4/1995 Anderson H02B 5/02
248/201
- 6,804,866 B2 10/2004 Lemke et al.
- 7,134,558 B1 11/2006 Mimlitch et al.
- 7,159,771 B2 1/2007 Singgih et al.
- D552,970 S 10/2007 Brassard
- D569,232 S * 5/2008 Yoshida D8/355
- 7,405,926 B2 7/2008 Wu et al.
- 7,806,277 B2 10/2010 Mimlitch et al.
- D654,350 S * 2/2012 Preda D8/354
- D667,718 S * 9/2012 Preda D8/354
- 8,333,353 B1 12/2012 Silverman et al.
- 8,356,718 B2 1/2013 Yang

(Continued)

Primary Examiner — Elizabeth A Albert

(74) *Attorney, Agent, or Firm* — Adam K. Sacharoff; Much Shelist

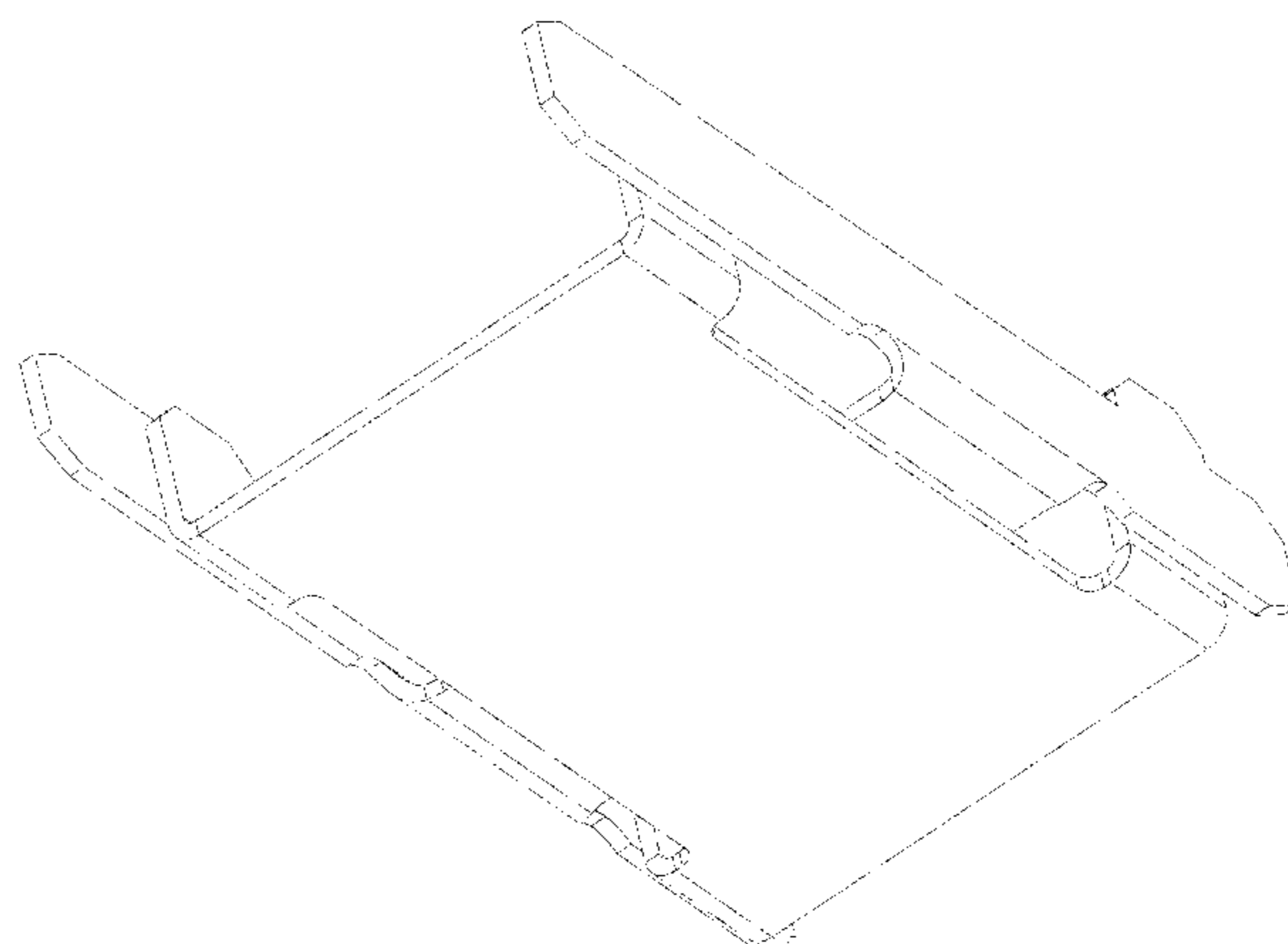
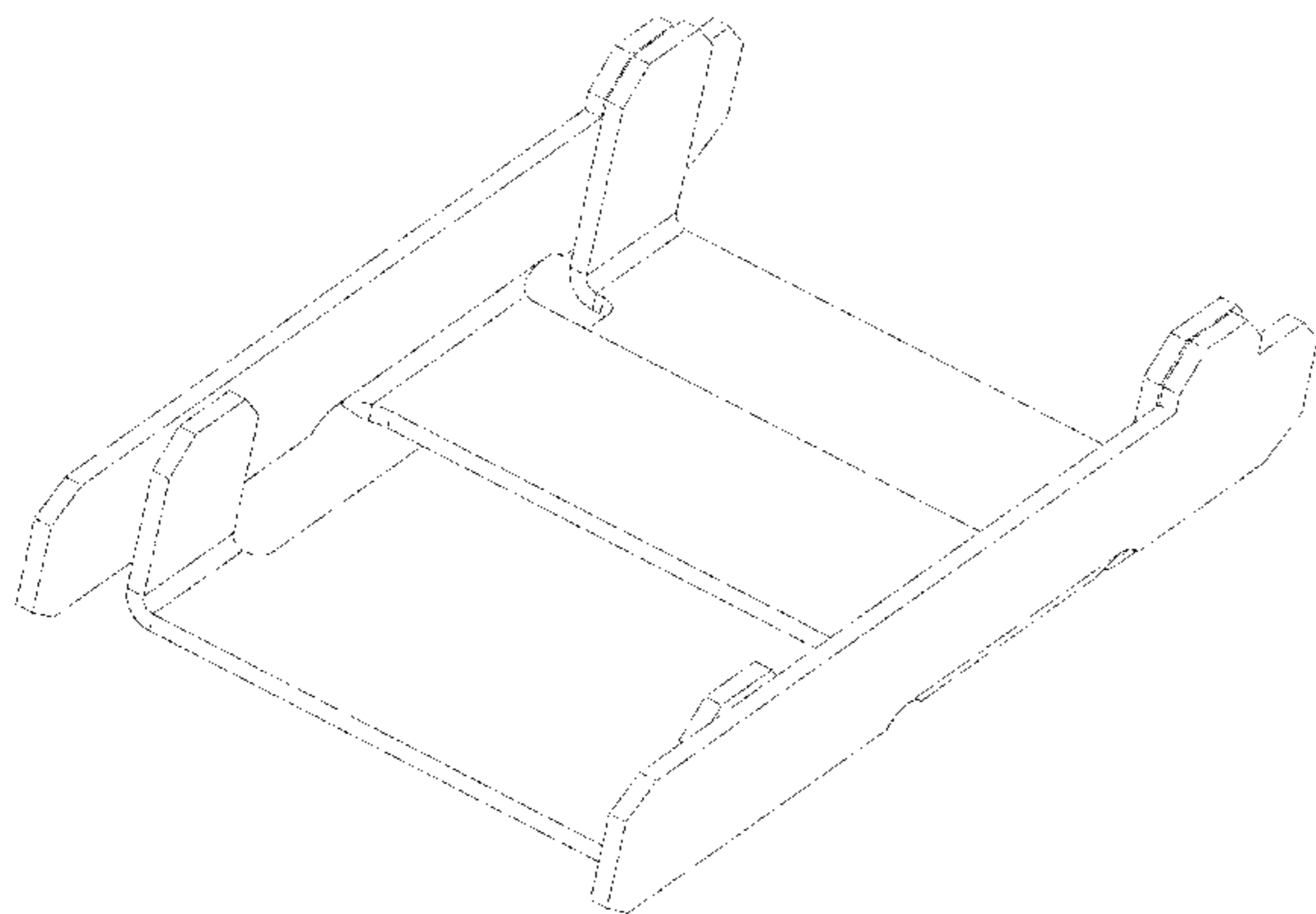
(57) **CLAIM**

The ornamental design for a bracket, as shown and described.

DESCRIPTION

FIG. 1 is a top rear perspective showing a bracket showing our new design;
 FIG. 2 is a top front perspective view of FIG. 1;
 FIG. 3 is a bottom side perspective view of FIG. 1;
 FIG. 4 is a top plan view of FIG. 1;
 FIG. 5 is a bottom plan view of FIG. 1;
 FIG. 6 is a left side elevation view of FIG. 1;
 FIG. 7 is a right side elevation view of FIG. 1;
 FIG. 8 is a front elevation view of FIGS. 1; and,
 FIG. 9 is a rear elevation view of FIG. 1.

1 Claim, 9 Drawing Sheets



US D760,579 S

Page 2

(56)

References Cited

2003/0019823 A1* 1/2003 Corbett, Jr. H05K 5/0021
211/26

2004/0108289 A1 6/2004 Chen et al.
2006/0175522 A1 8/2006 Axel

U.S. PATENT DOCUMENTS

D700,503 S * 3/2014 Furling D8/354

D700,825 S * 3/2014 Furling D8/354

* cited by examiner

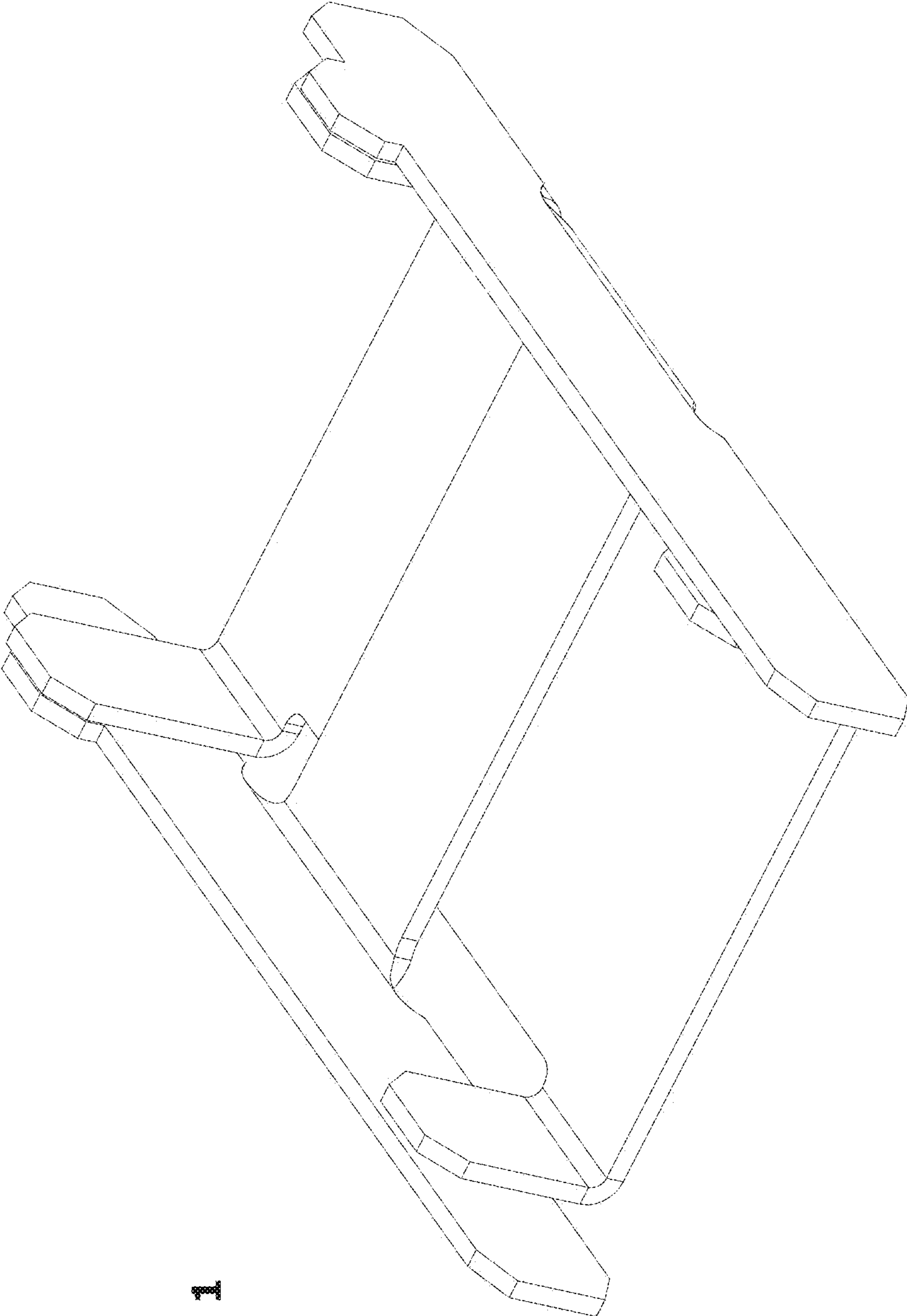


FIGURE 1

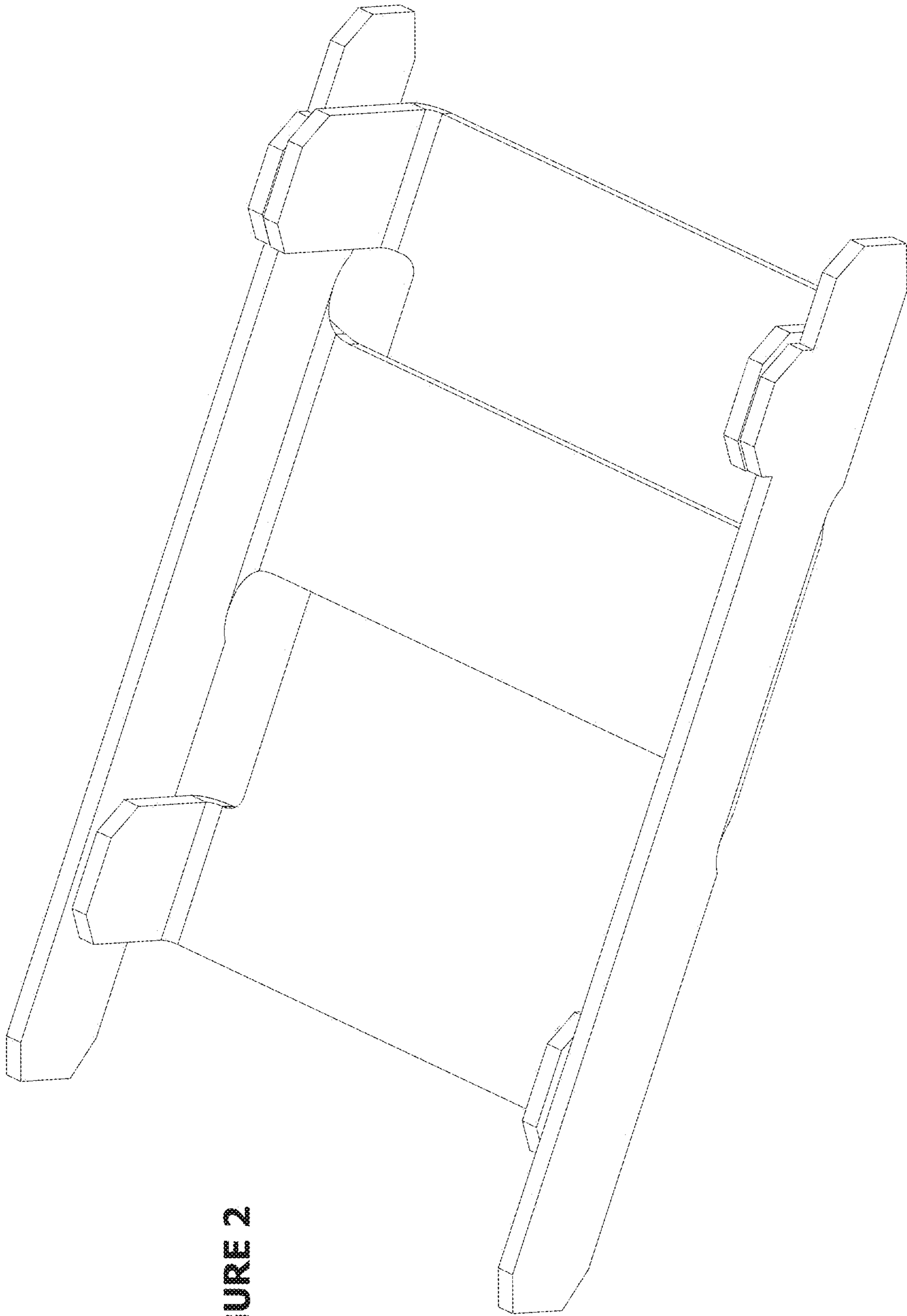


FIGURE 2

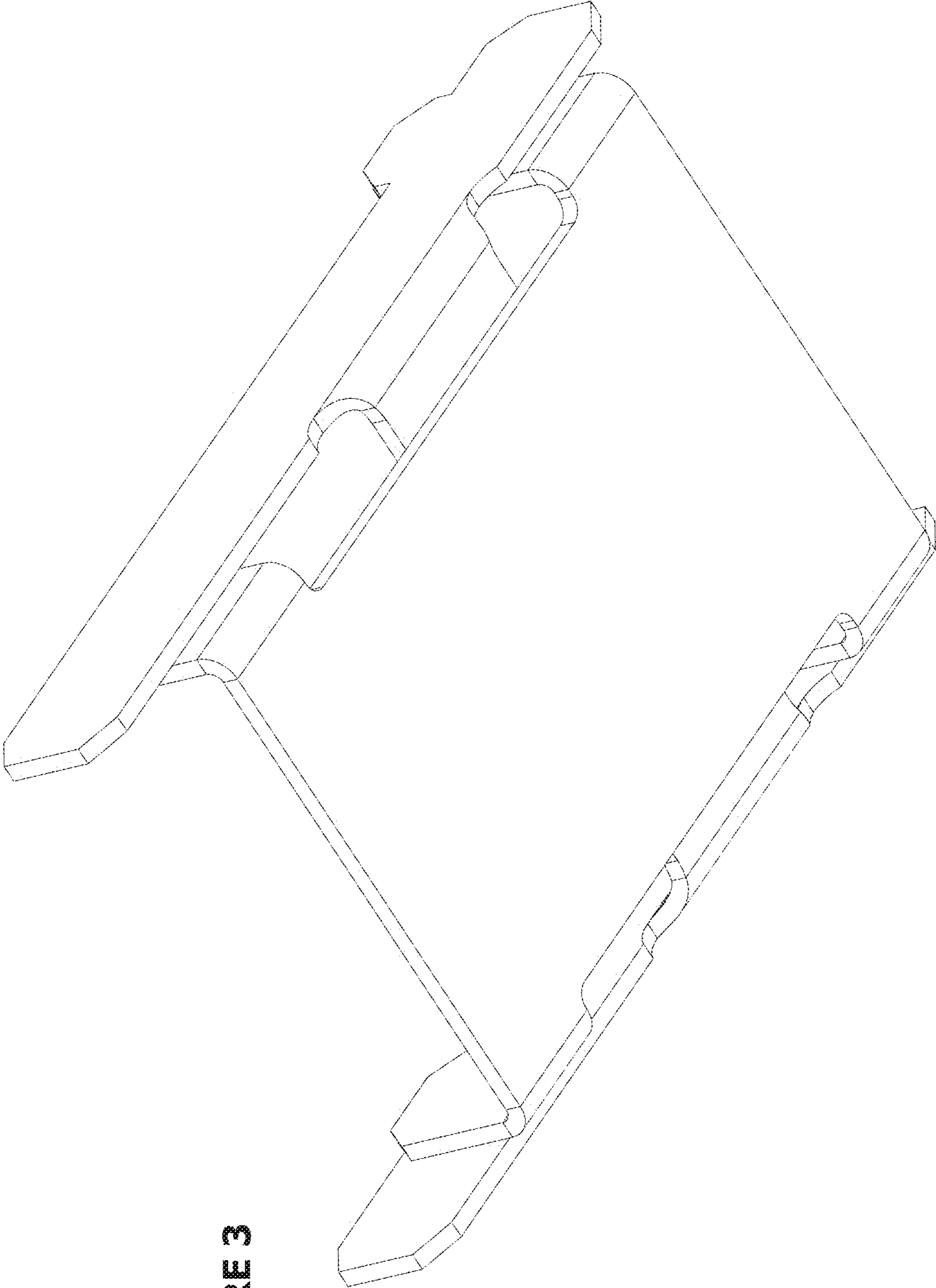


FIGURE 3

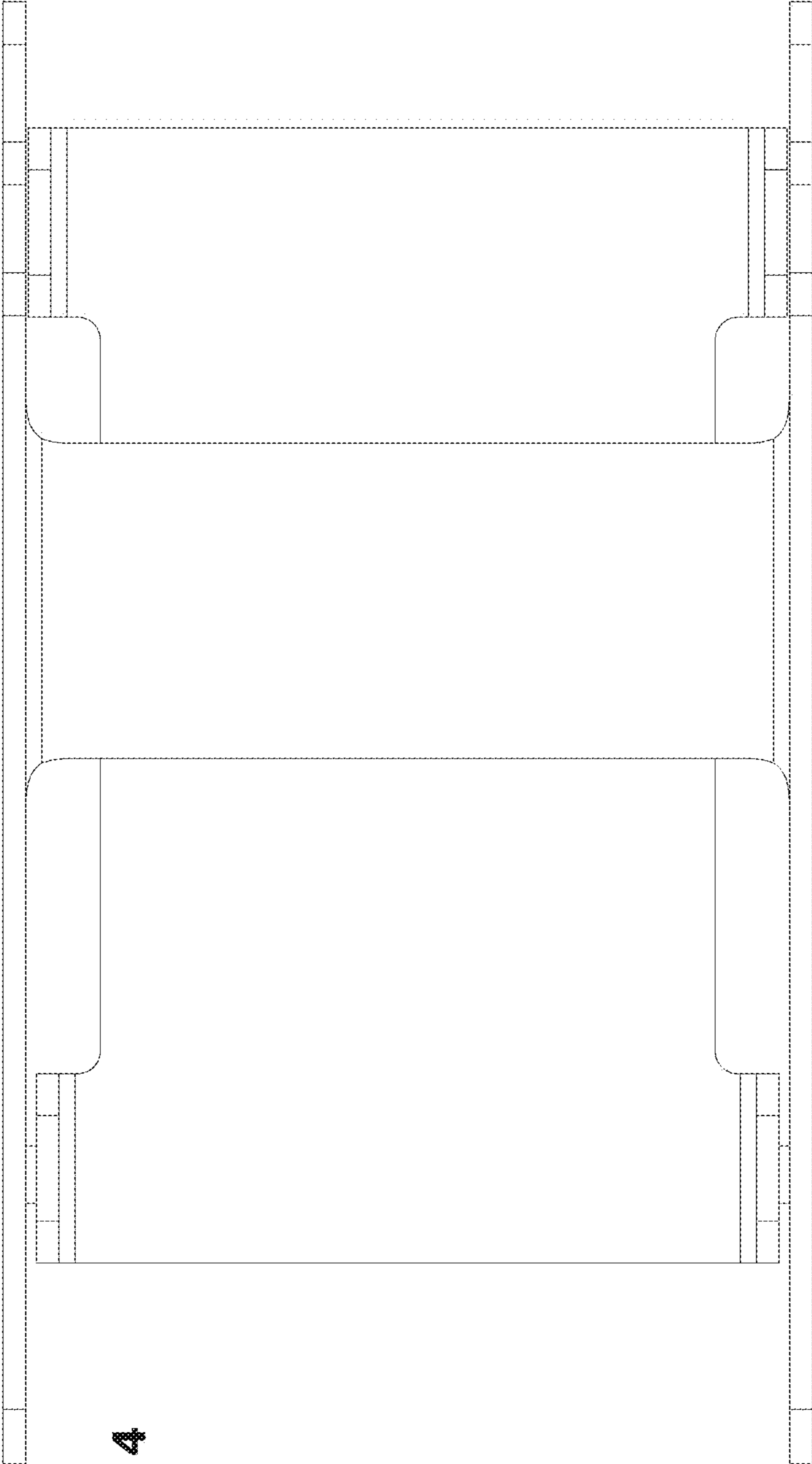


FIGURE 4

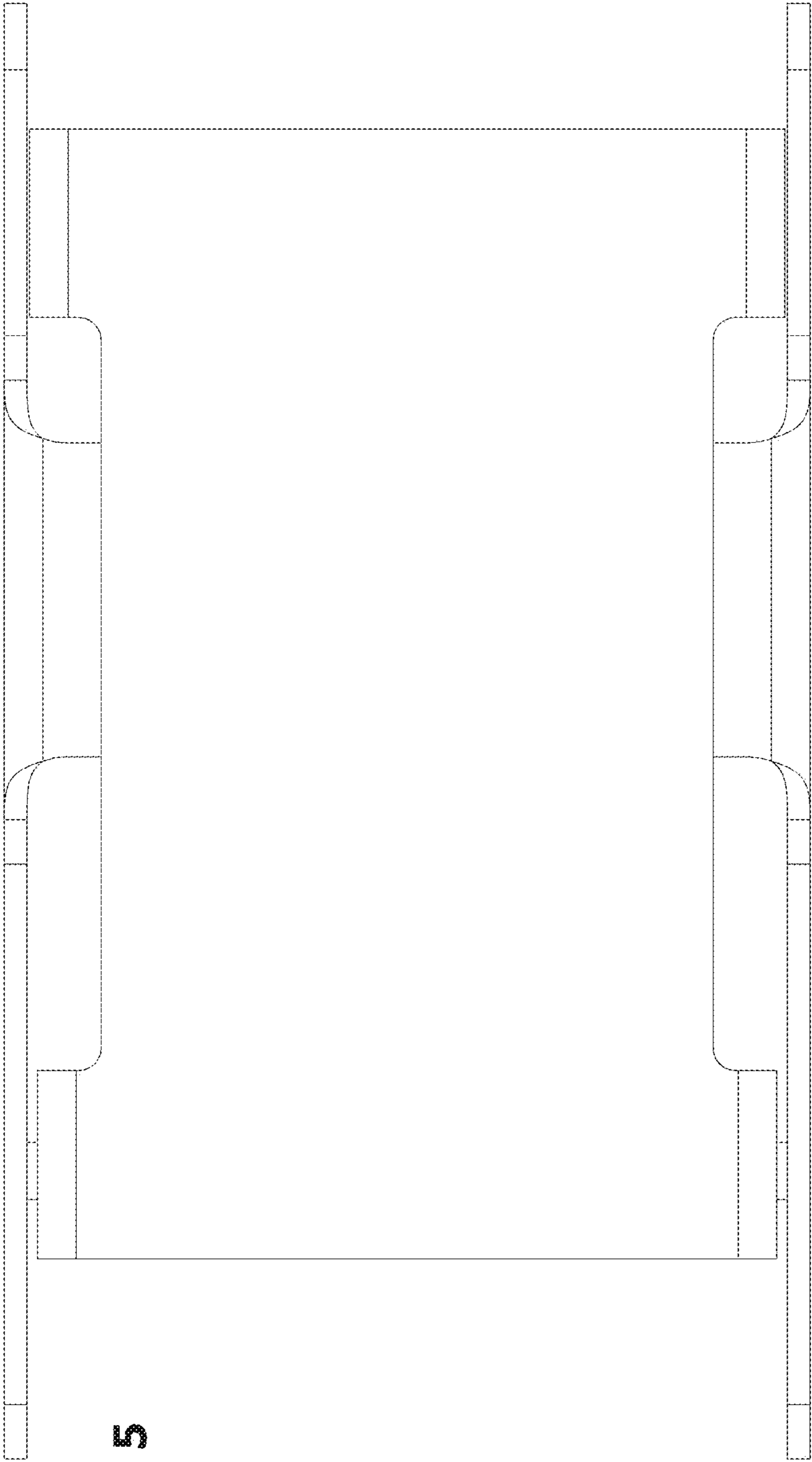


FIGURE 5

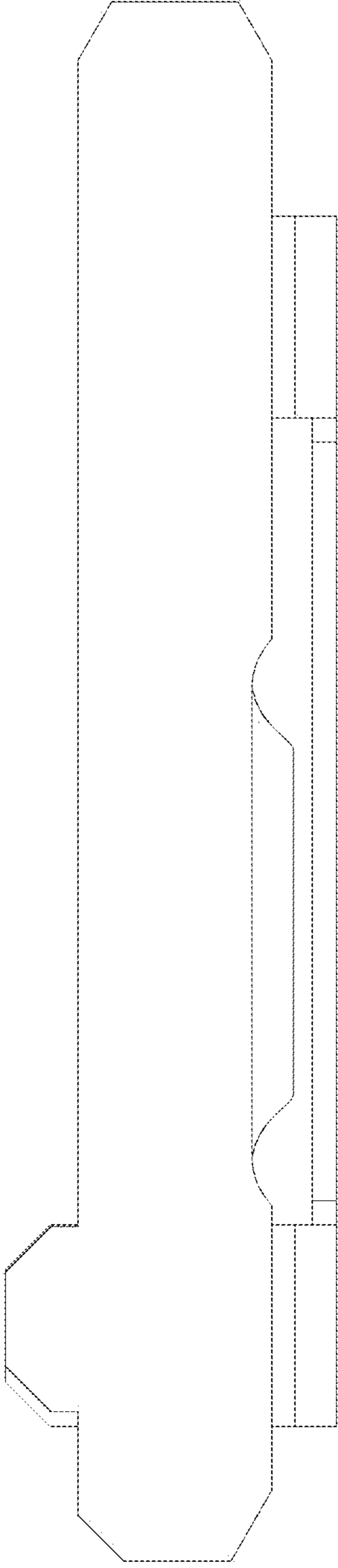


FIGURE 6

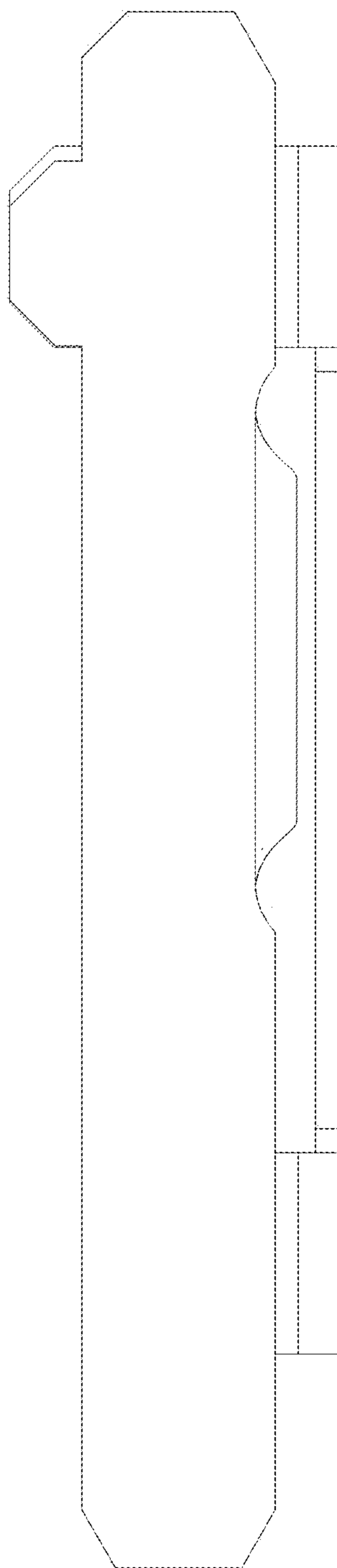


FIGURE 7

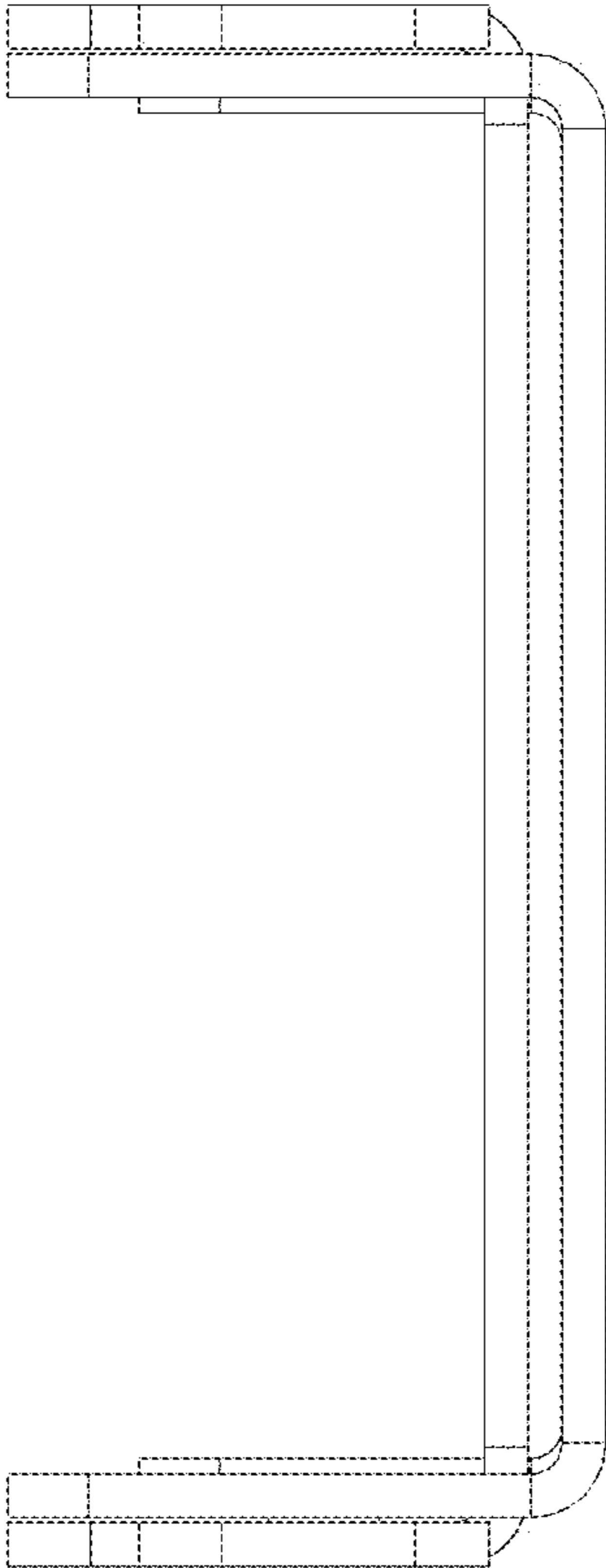


FIGURE 8

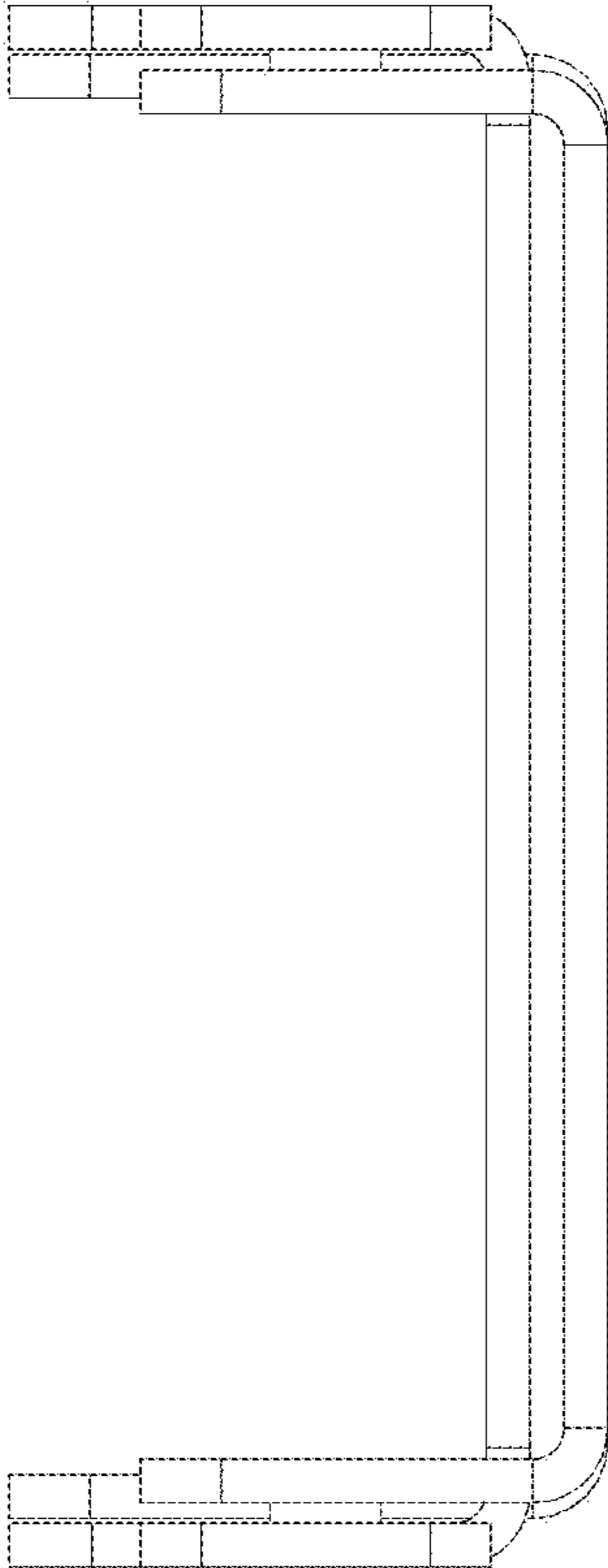


FIGURE 9