



US00D760578S

(12) **United States Design Patent**  
**Sigona**

(10) **Patent No.:** **US D760,578 S**  
(45) **Date of Patent:** **\*\* Jul. 5, 2016**

(54) **WATER SYSTEM SUPPORT BRACKET**

(71) Applicant: **Jon-Andrew Vincent Sigona**,  
Scottsdale, AZ (US)

(72) Inventor: **Jon-Andrew Vincent Sigona**,  
Scottsdale, AZ (US)

(\*\*) Term: **14 Years**

(21) Appl. No.: **29/510,377**

(22) Filed: **Nov. 26, 2014**

(51) **LOC (10) CL.** ..... **08-08**

(52) **U.S. CL.**  
USPC ..... **D8/349**

(58) **Field of Classification Search**  
USPC ..... D8/330, 349, 354, 355, 373, 374,  
D8/380-382, 394, 499  
CPC ..... A47G 29/02; A47G 29/00; E04G 3/00;  
E04F 13/08; E04B 1/00; E04B 1/24; E04B  
1/26; E04B 1/38; F16L 3/22; F16M 13/00;  
F16M 13/02; F16M 11/00; F16M 11/20;  
F16M 11/22; F16M 11/28; F16M 2200/00;  
B01D 27/00; B01D 25/00; A47B 3/00;  
A47B 3/002; A47B 43/00  
See application file for complete search history.

(56) **References Cited**

**U.S. PATENT DOCUMENTS**

D398,283	S	*	9/1998	Miller	.....	D12/223
D400,986	S	*	11/1998	Kanta	.....	D25/199
D434,304	S	*	11/2000	Willett	.....	D8/354
D443,199	S	*	6/2001	Swanson	.....	D8/373
D667,718	S	*	9/2012	Preda	.....	D8/354
D732,708	S	*	6/2015	Stauffer	.....	D25/133
2004/0163355	A1	*	8/2004	Collie	.....	E04B 7/063 52/702
2007/0235624	A1	*	10/2007	Lee	.....	F04B 39/0044 248/674
2008/0290236	A1	*	11/2008	Sakamoto	.....	H01R 12/707 248/309.1

**OTHER PUBLICATIONS**

Home Master 2 Stage Water Filtration System, dated Nov. 6, 2010, [online], [site visited Nov. 10, 2015]. Available from Internet, <URL: <http://www.amazon.com/dp/B005A3WPA0?psc=1>>.\*  
Bulk Reef Supply Triple Bracket, dated Feb. 1, 2013, [online], [site visited Apr. 26, 2016]. Available from Internet, <URL: <http://www.bulkreefsupply.com/triple-bracket-for-20-canisters.html>>.\*

\* cited by examiner

*Primary Examiner* — Thomas Johannes

*Assistant Examiner* — Shawn T Gingrich

(74) *Attorney, Agent, or Firm* — Bycer Law, PLC; Matthew L. Bycer

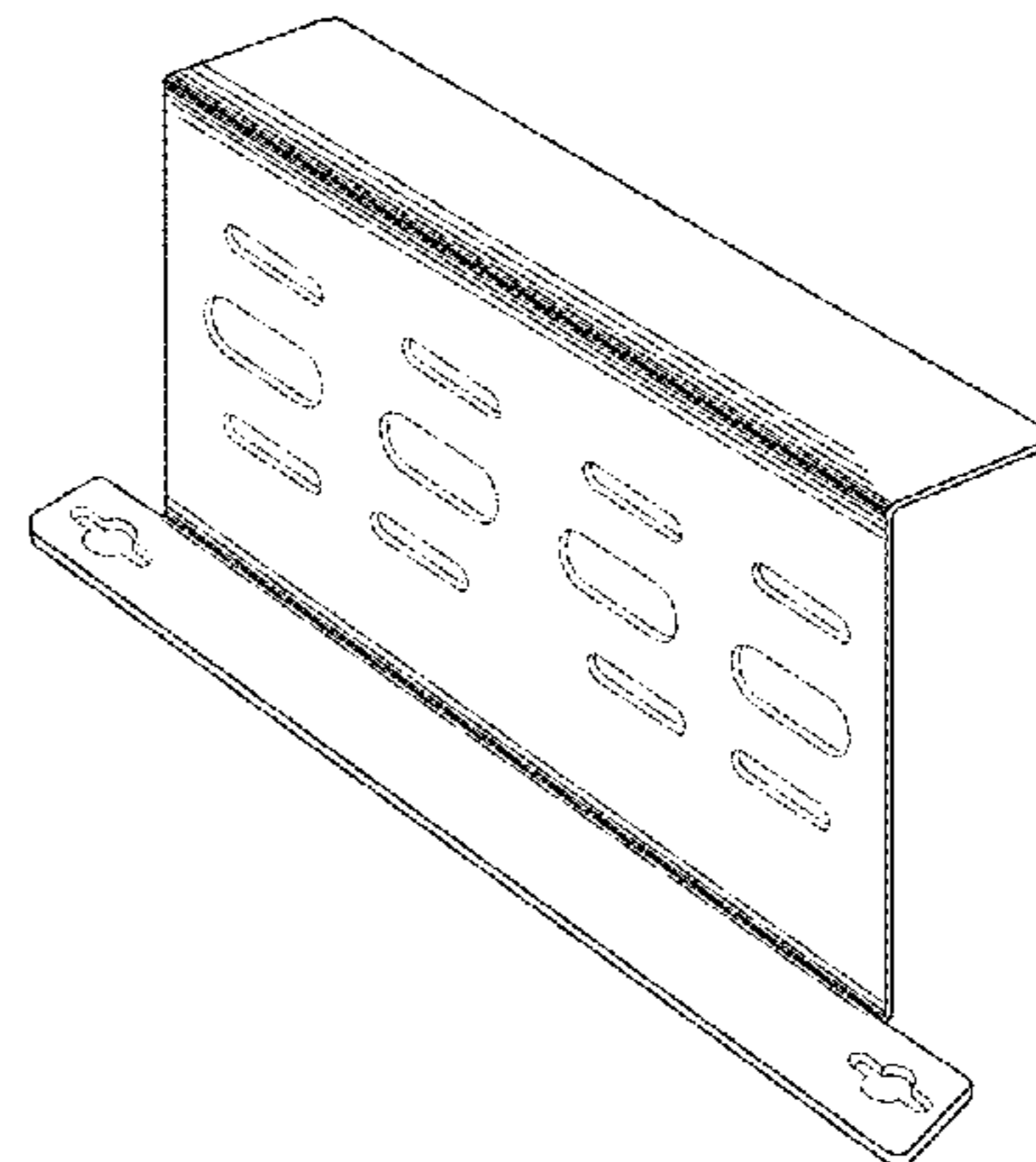
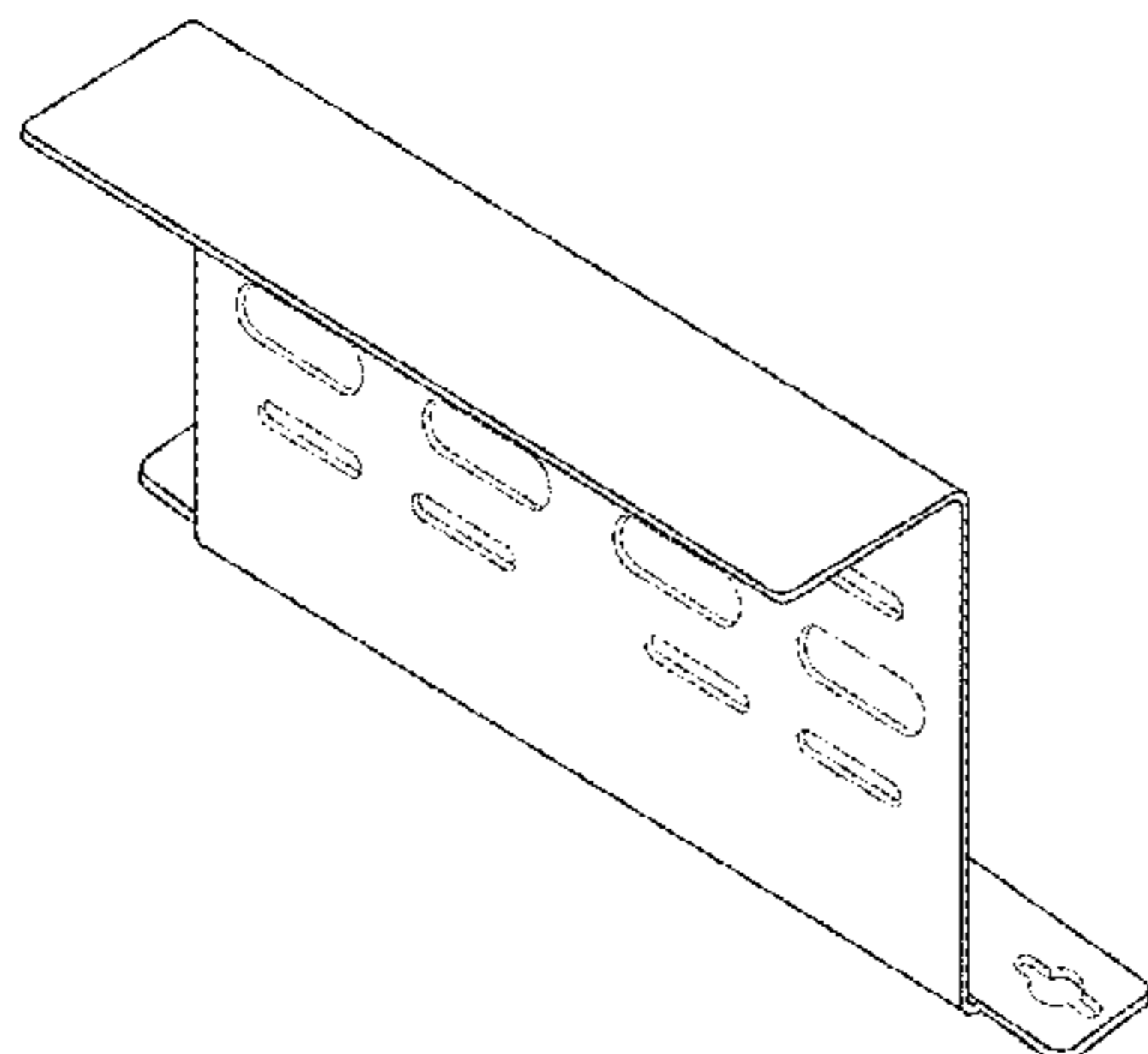
(57) **CLAIM**

I claim the ornamental design for water system support bracket, as shown and described.

**DESCRIPTION**

FIG. 1 is a perspective view of the underside of a water system support bracket showing my new design;  
FIG. 2 is a top view thereof;  
FIG. 3 is a perspective view of the top side view of the design;  
FIG. 4 is a side view of the design;  
FIG. 5 is a close-up perspective view of the top corner of the design;  
FIG. 6 is a close-up view of the top corner of the design;  
FIG. 7 is a frontal view of the design;  
FIG. 8 is an angled top perspective view of the design;  
FIG. 9 is a perspective view of the design in an environment of use; and,  
FIG. 10 is a perspective view of the design in another environment of use.  
The broken lines shown in the drawings represent portions of the water system support bracket that form no part of the claimed design.

**1 Claim, 10 Drawing Sheets**



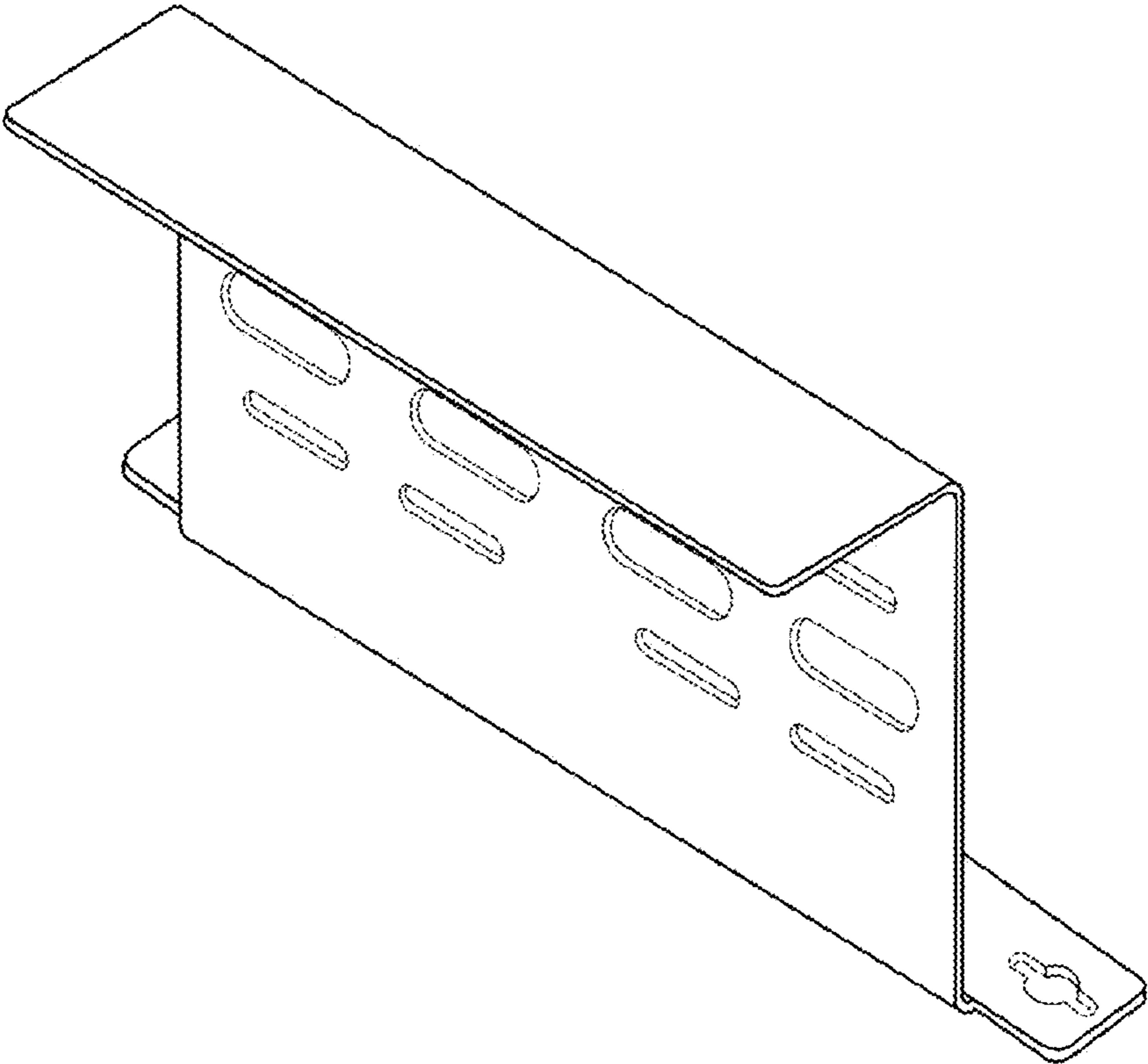


FIG. 1

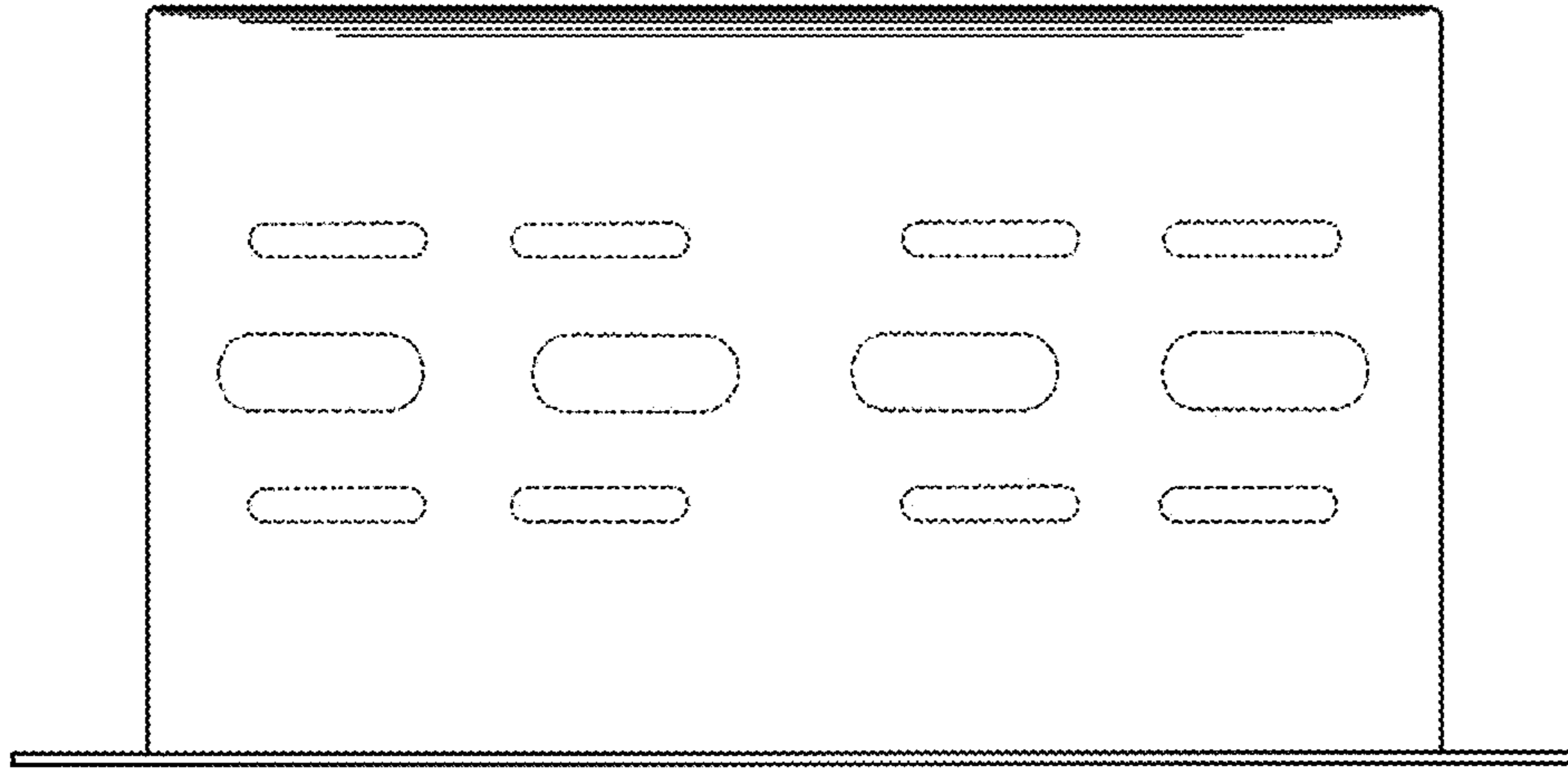


FIG.2

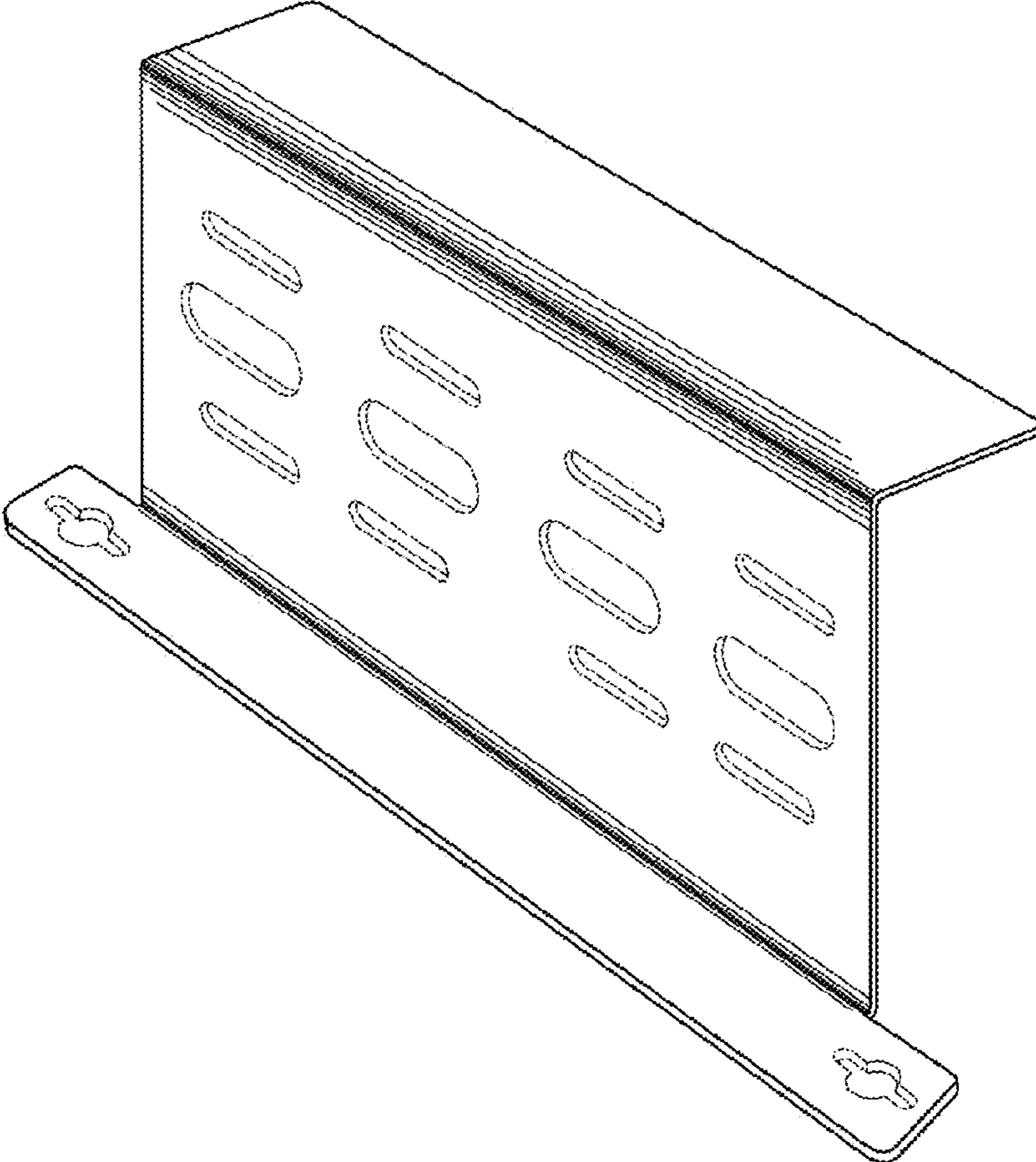


FIG.3

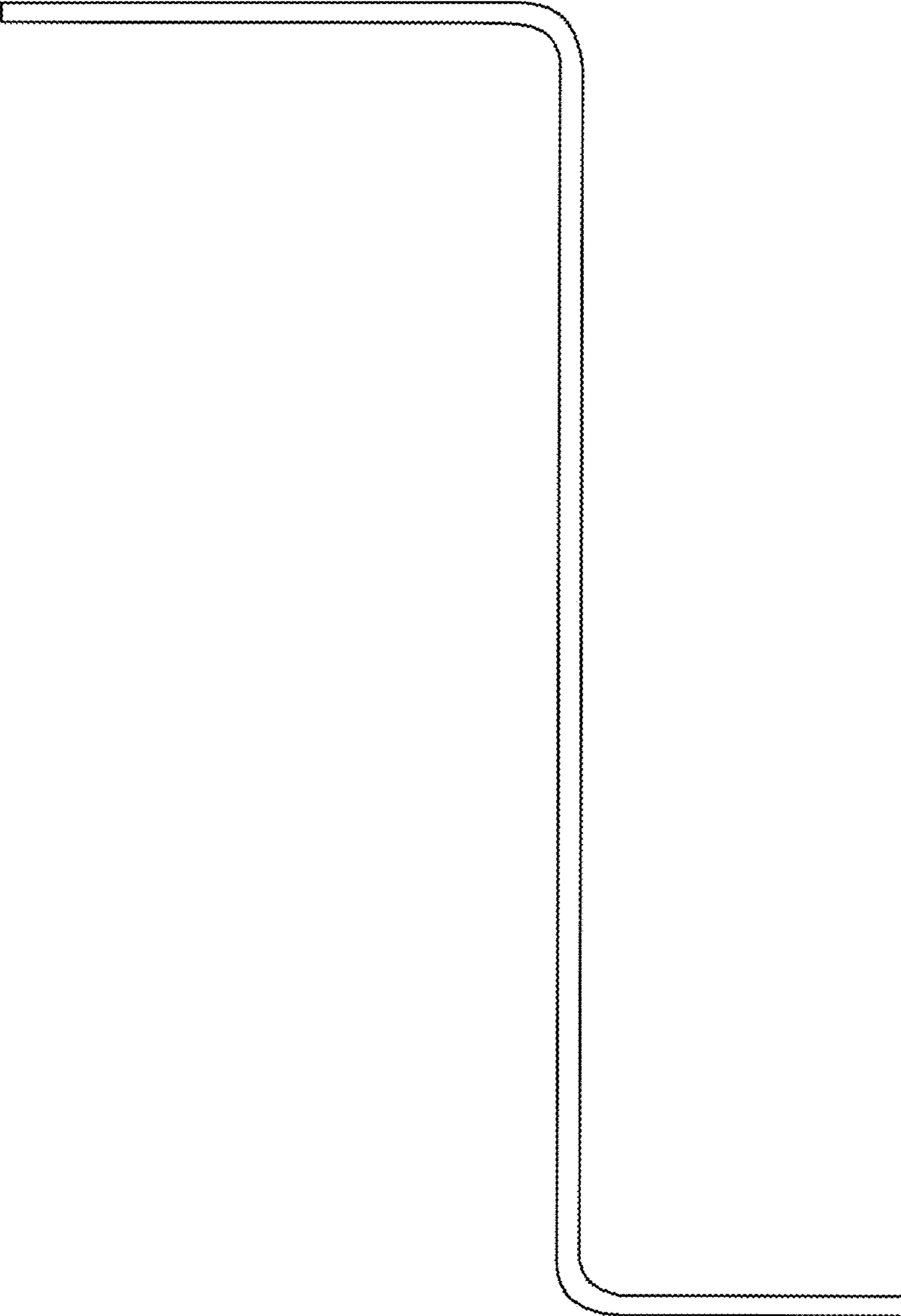


FIG.4

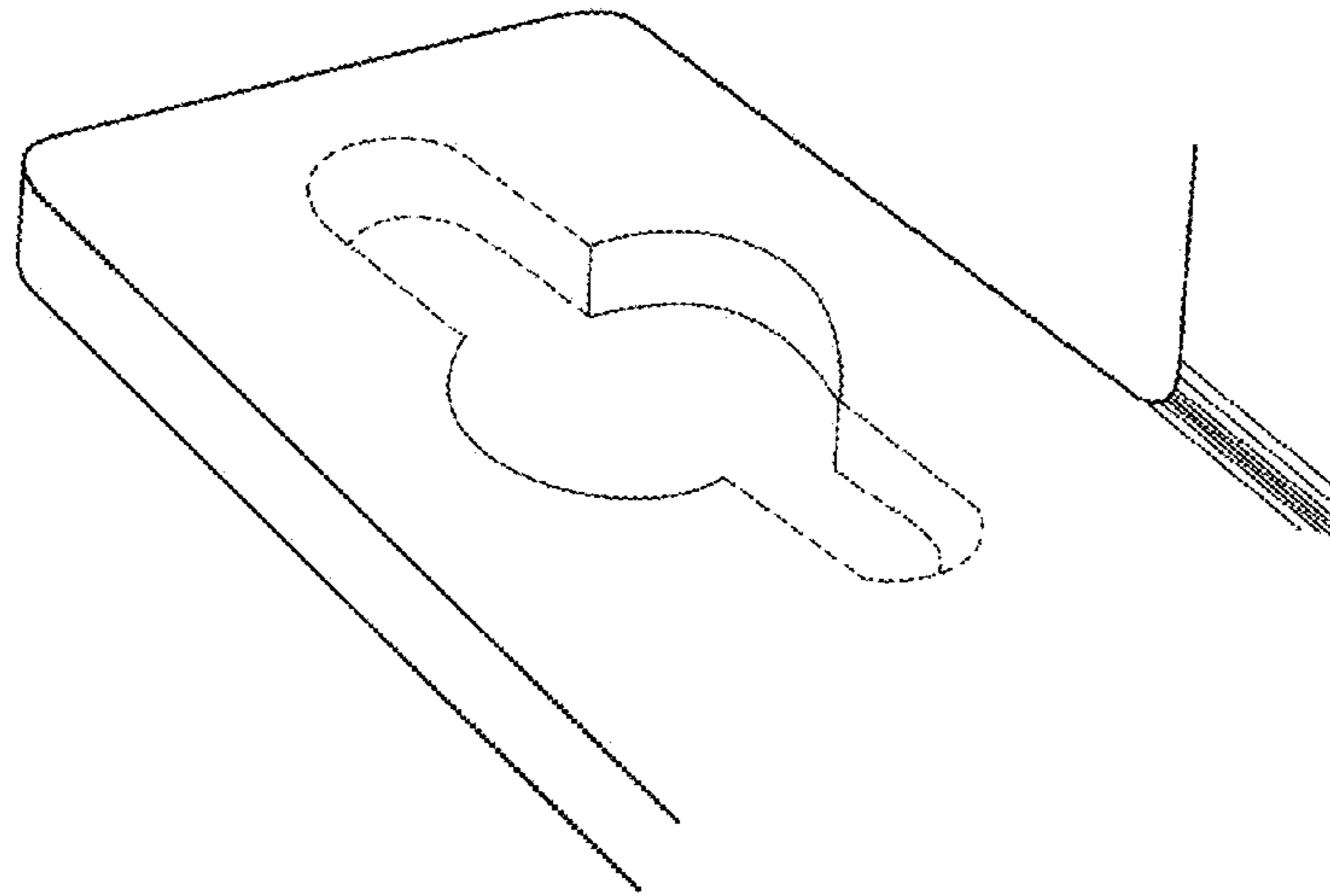


FIG.5

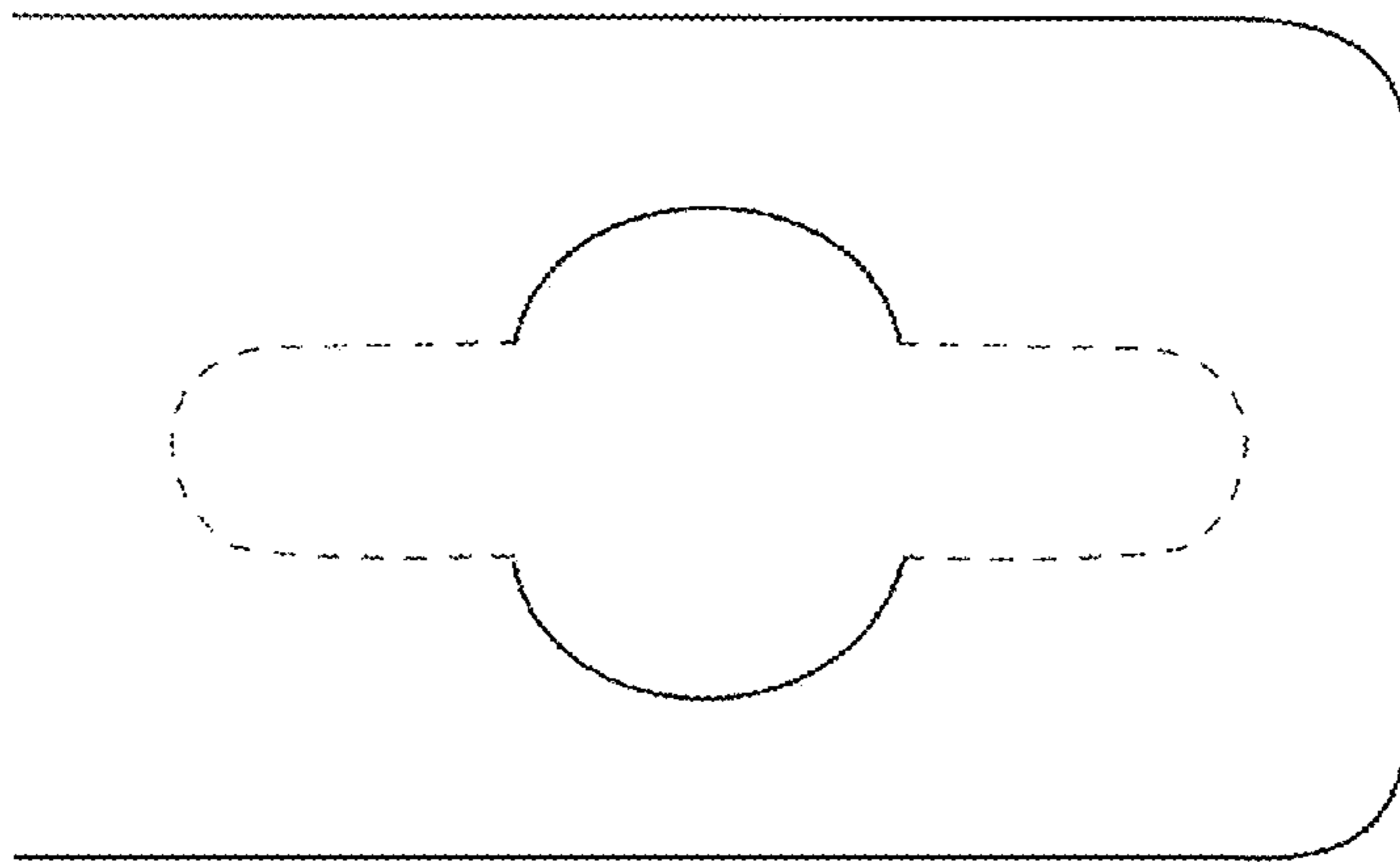


FIG. 6



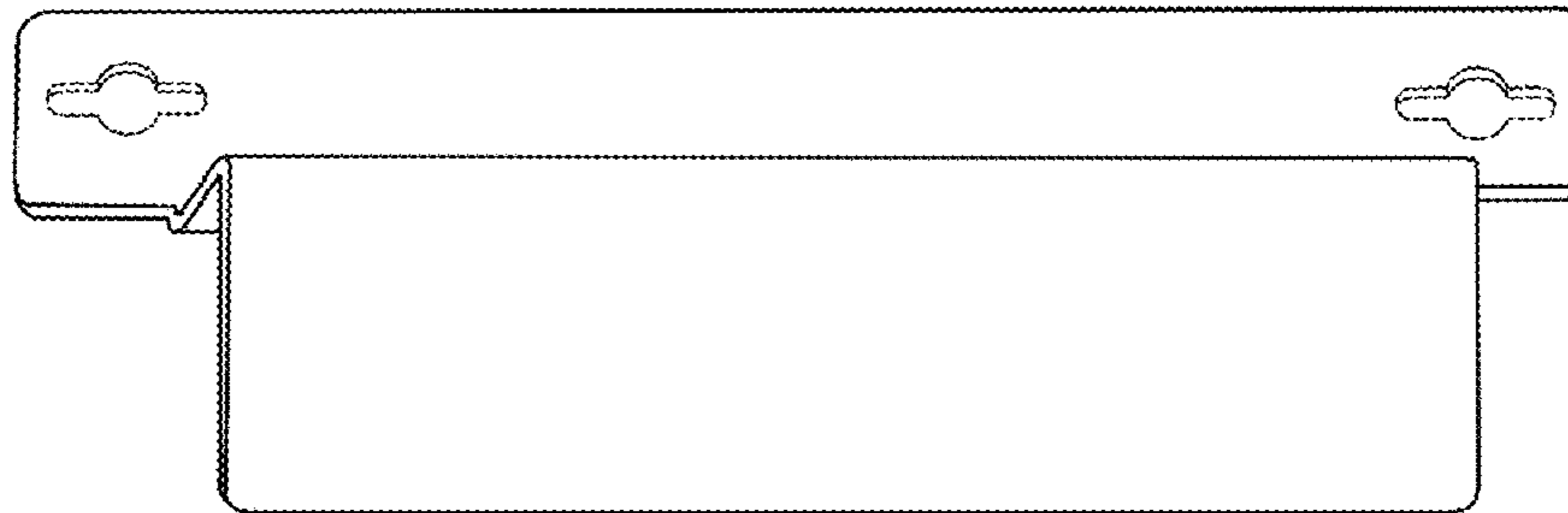


FIG. 7



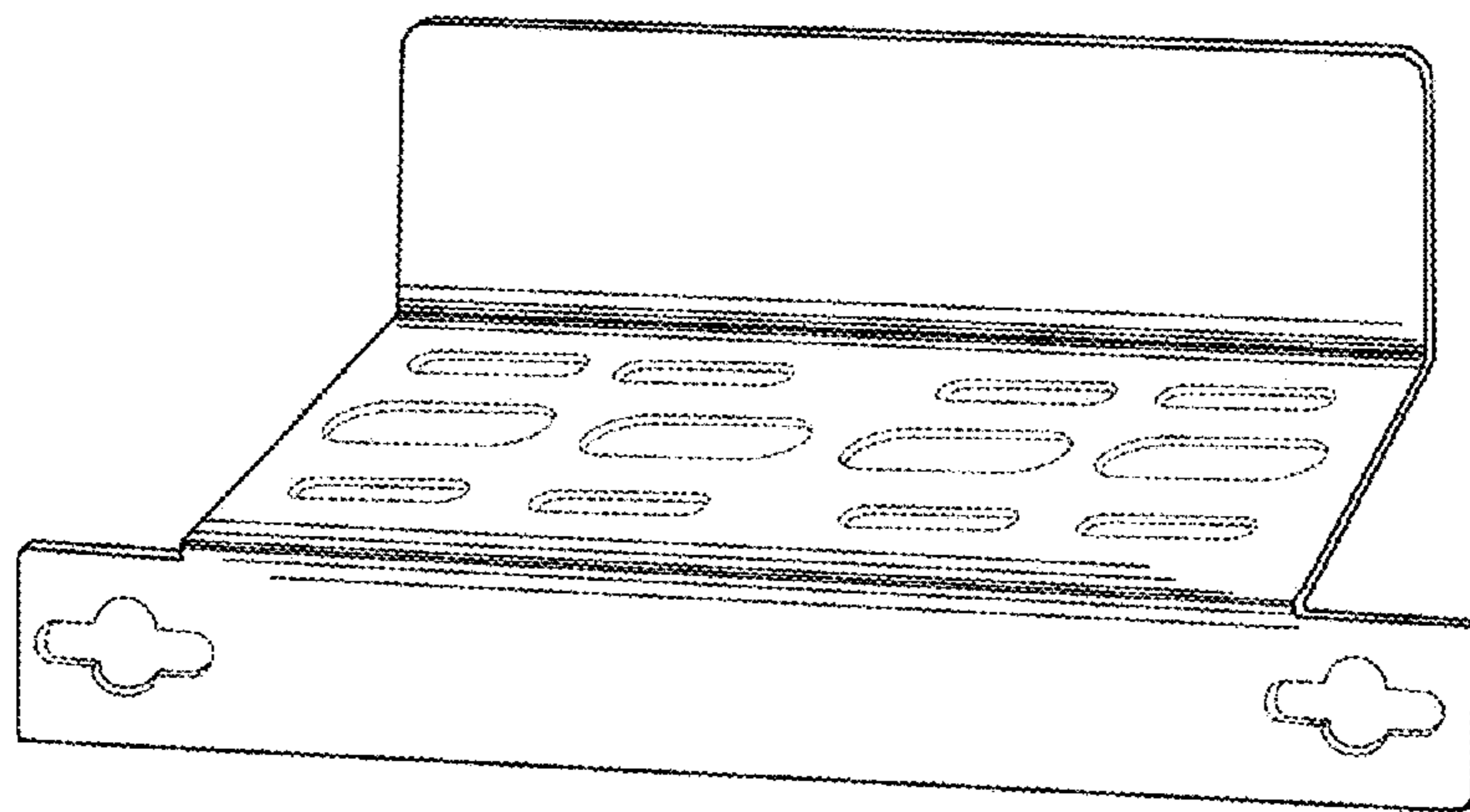


FIG. 8

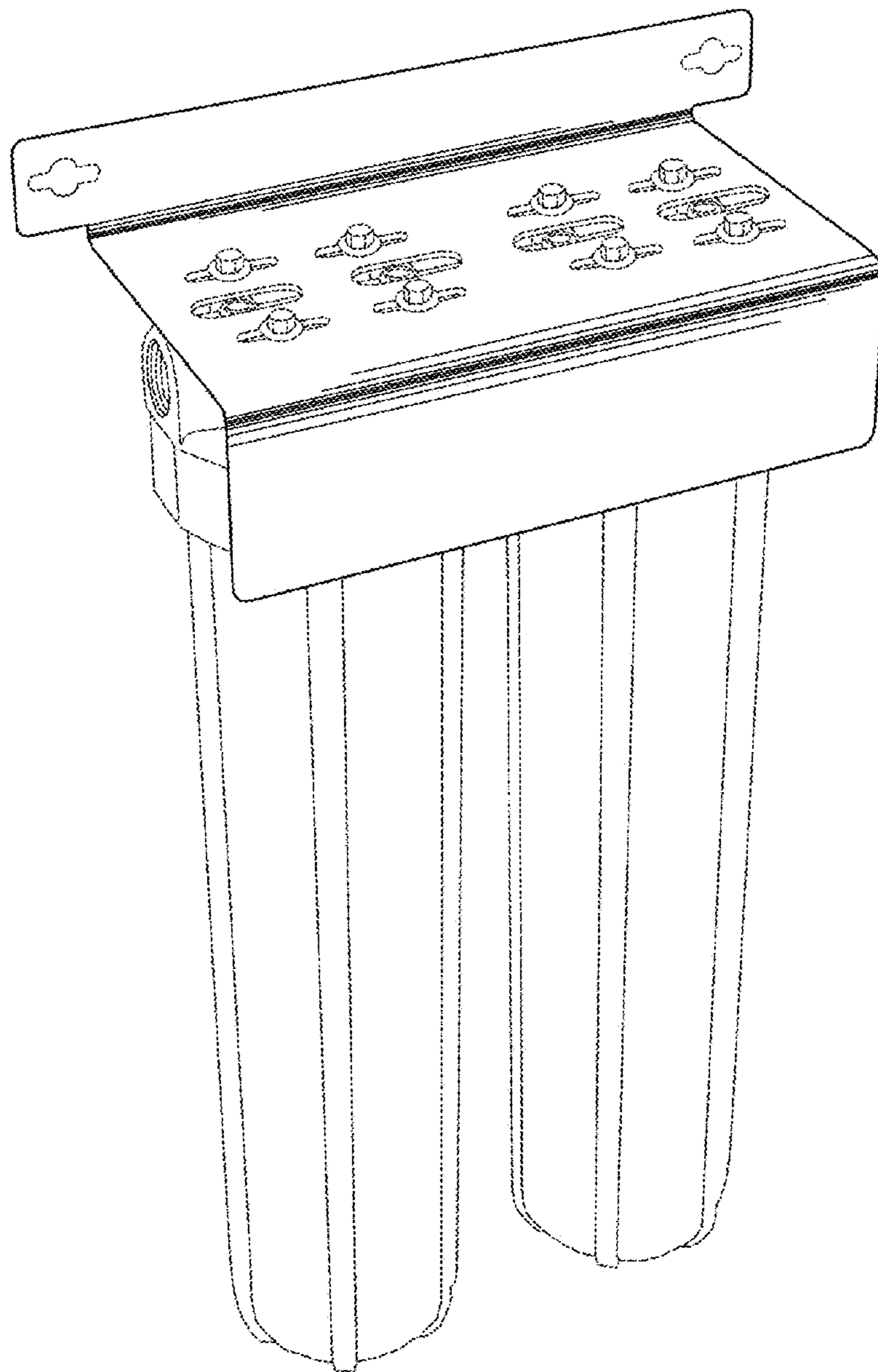


FIG. 9

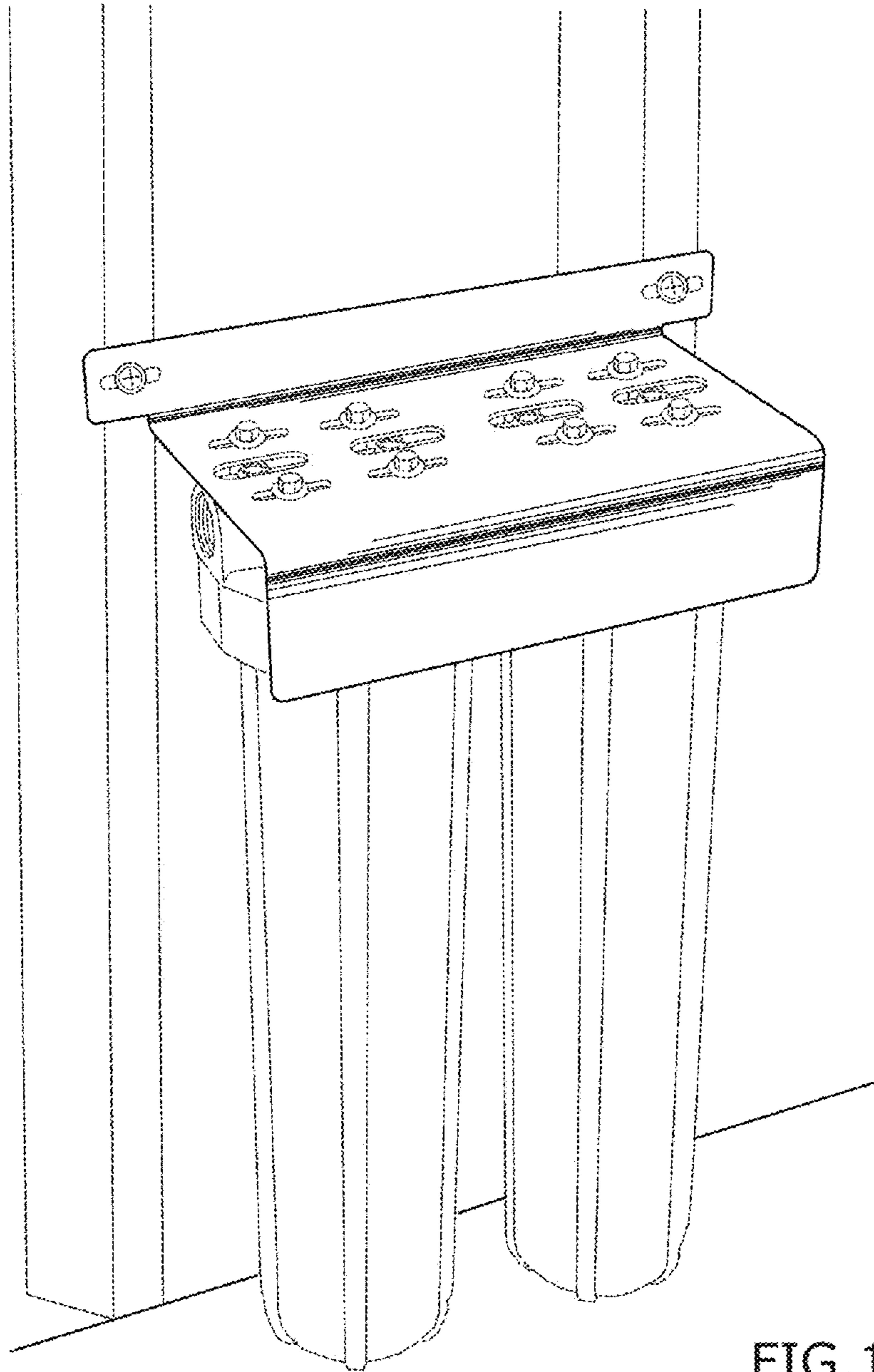


FIG. 10