



US00D760577S

(12) **United States Design Patent**  
**Gill, Jr.**

(10) **Patent No.:** **US D760,577 S**

(45) **Date of Patent:** **\*\* Jul. 5, 2016**

(54) **MOUNTING BRACKET**

(71) Applicant: **Gene L. Gill, Jr.**, Granby, CT (US)

(72) Inventor: **Gene L. Gill, Jr.**, Granby, CT (US)

(\*\*) Term: **14 Years**

(21) Appl. No.: **29/467,740**

(22) Filed: **Sep. 23, 2013**

(51) **LOC (10) Cl.** ..... **11-05**

(52) **U.S. Cl.**  
USPC ..... **D8/349**

(58) **Field of Classification Search**

USPC ..... D8/349, 354–355, 373, 380, 382–383,  
D8/394, 396; D13/102, 118, 149, 154,  
D13/155, 184, 199; D14/209, 204;  
D16/330, 242; D25/119, 123–125;  
D21/484, 500, 504  
CPC ..... F24J 2/07; F24J 2/14; F24J 2/541;  
F24J 2/542; F24J 2/38; Y02E 10/47; Y02E  
10/45; Y02E 10/50; Y02E 10/60; Y02E  
10/52; E04H 9/022; E04H 9/021; E02D  
27/34; E04B 1/98; H01L 35/00; H01L  
31/0522; H01L 35/08; H01L 31/052; H01L  
31/042; H01L 31/05; H01L 27/1423; H01L  
31/048; H01L 31/045; H01L 31/055; B64G  
1/443; B64G 1/222; B60G 2202/143  
See application file for complete search history.

(56) **References Cited**

**U.S. PATENT DOCUMENTS**

3,754,724	A *	8/1973	Osowski	.....	248/690
6,116,564	A *	9/2000	Cates	.....	248/544
8,061,666	B1 *	11/2011	Fortin et al.	.....	248/219.1
2007/0023601	A1 *	2/2007	Peek	.....	248/304
2014/0230220	A1 *	8/2014	Allred et al.	.....	29/428

\* cited by examiner

*Primary Examiner* — Rosemary K Tarca

*Assistant Examiner* — Nathaniel D Buckner

(74) *Attorney, Agent, or Firm* — Cantor Colburn LLP

(57) **CLAIM**

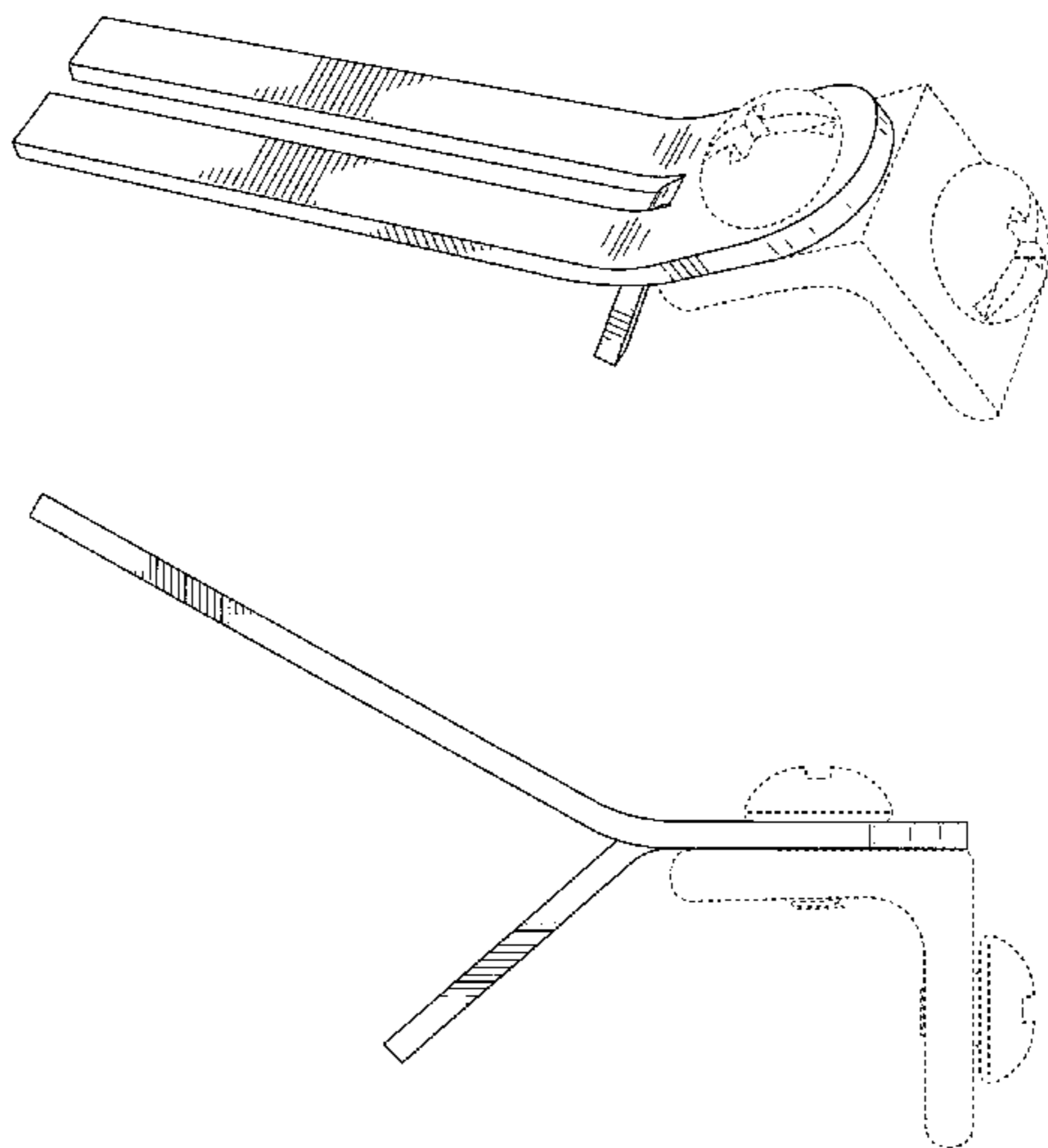
I claim, the ornamental design for a mounting bracket, as shown and described.

**DESCRIPTION**

FIG. 1 is a perspective view of a mounting bracket showing my new design shown in a first embodiment;  
FIG. 2 is a top plan view of the embodiment shown in FIG. 1;  
FIG. 3 is a bottom plan view of the embodiment shown in FIG. 1;  
FIG. 4 is a side elevation view of the embodiment shown in FIG. 1;  
FIG. 5 is another side elevation view of the embodiment shown in FIG. 1;  
FIG. 6 is a front elevation view of the embodiment shown in FIG. 1;  
FIG. 7 is a back elevation view of the embodiment shown in FIG. 1;  
FIG. 8 a perspective view of a mounting bracket showing my new design shown in a second embodiment;  
FIG. 9 is a top plan view of the embodiment shown in FIG. 8;  
FIG. 10 is a bottom plan view of the embodiment shown in FIG. 8;  
FIG. 11 is a side elevation view of the embodiment shown in FIG. 8;  
FIG. 12 is another side elevation view of the embodiment shown in FIG. 8;  
FIG. 13 is a front elevation view of the embodiment shown in FIG. 8; and,  
FIG. 14 is a back elevation view of the embodiment shown in FIG. 8.

The broken lines shown in the drawings are included for the purpose of illustrating environmental structure and unclaimed portions of the mounting bracket, and form no part of the claimed design.

**1 Claim, 14 Drawing Sheets**



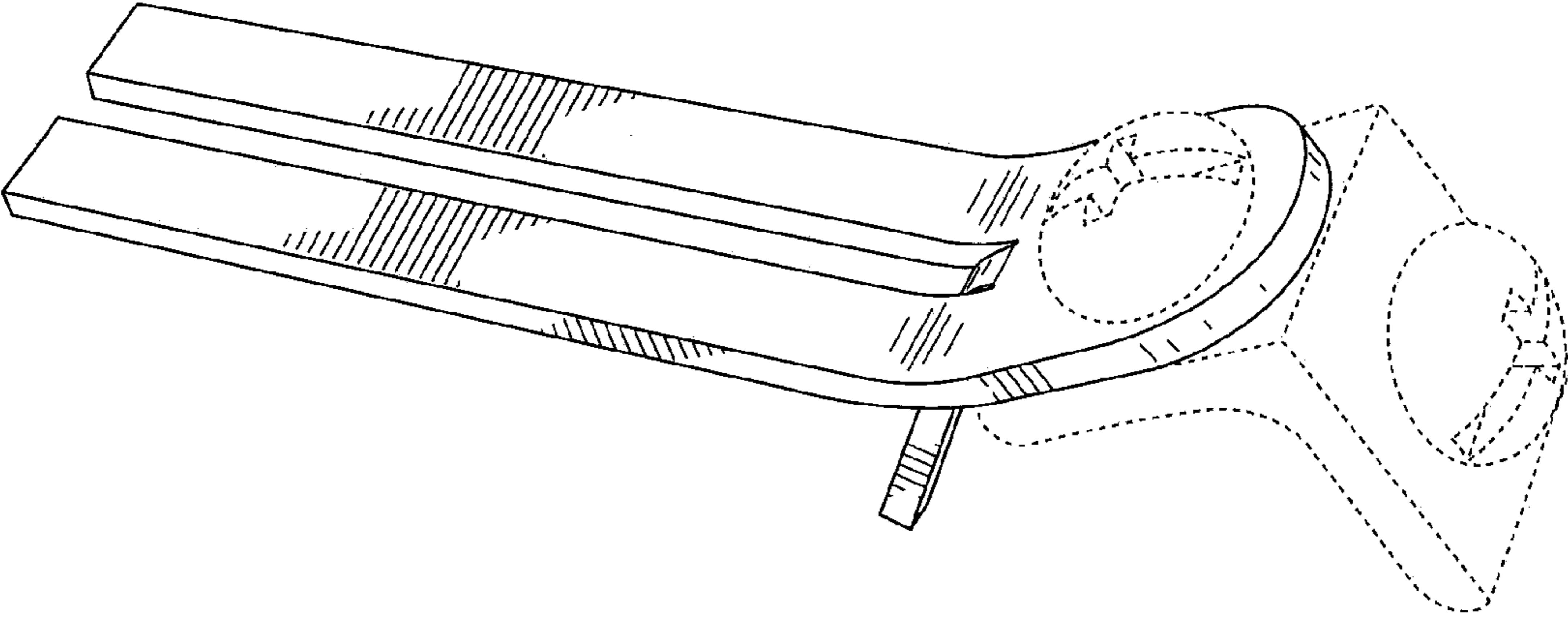


FIG. 1

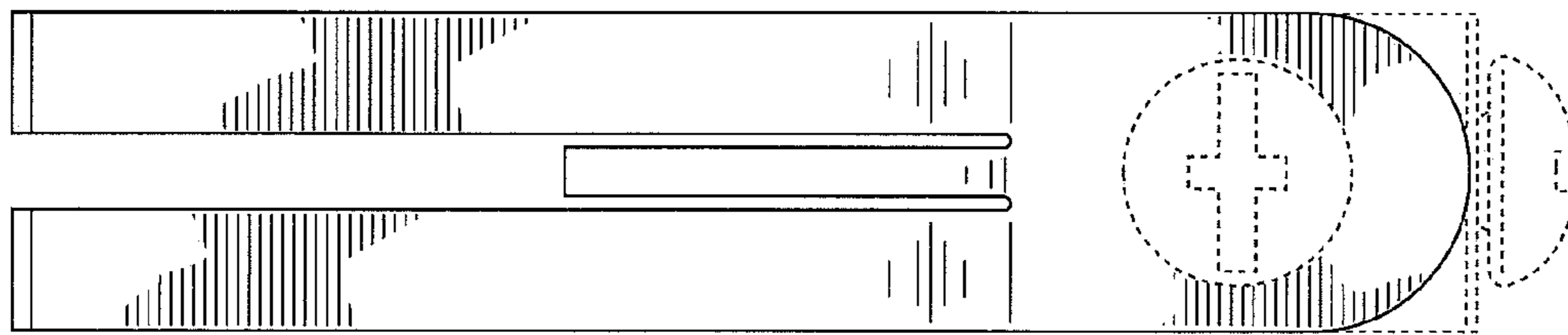


FIG.2

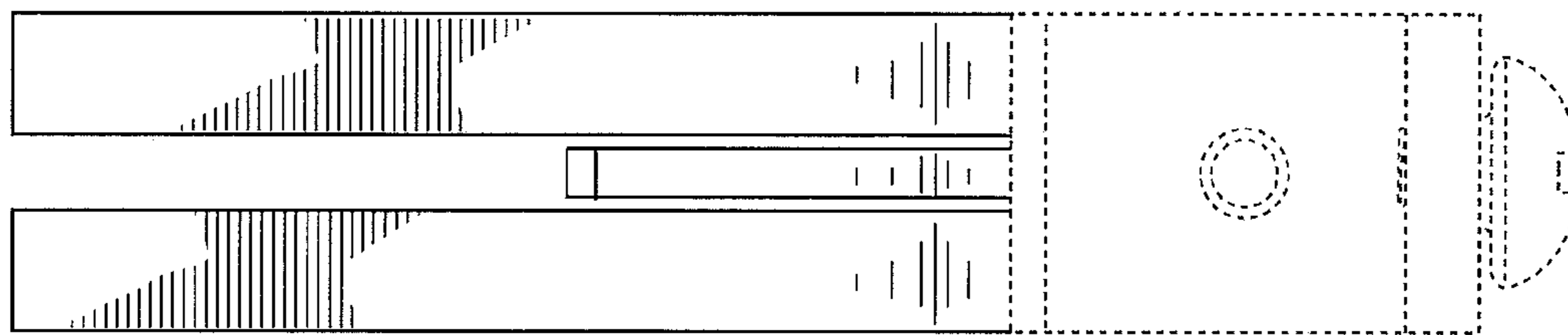
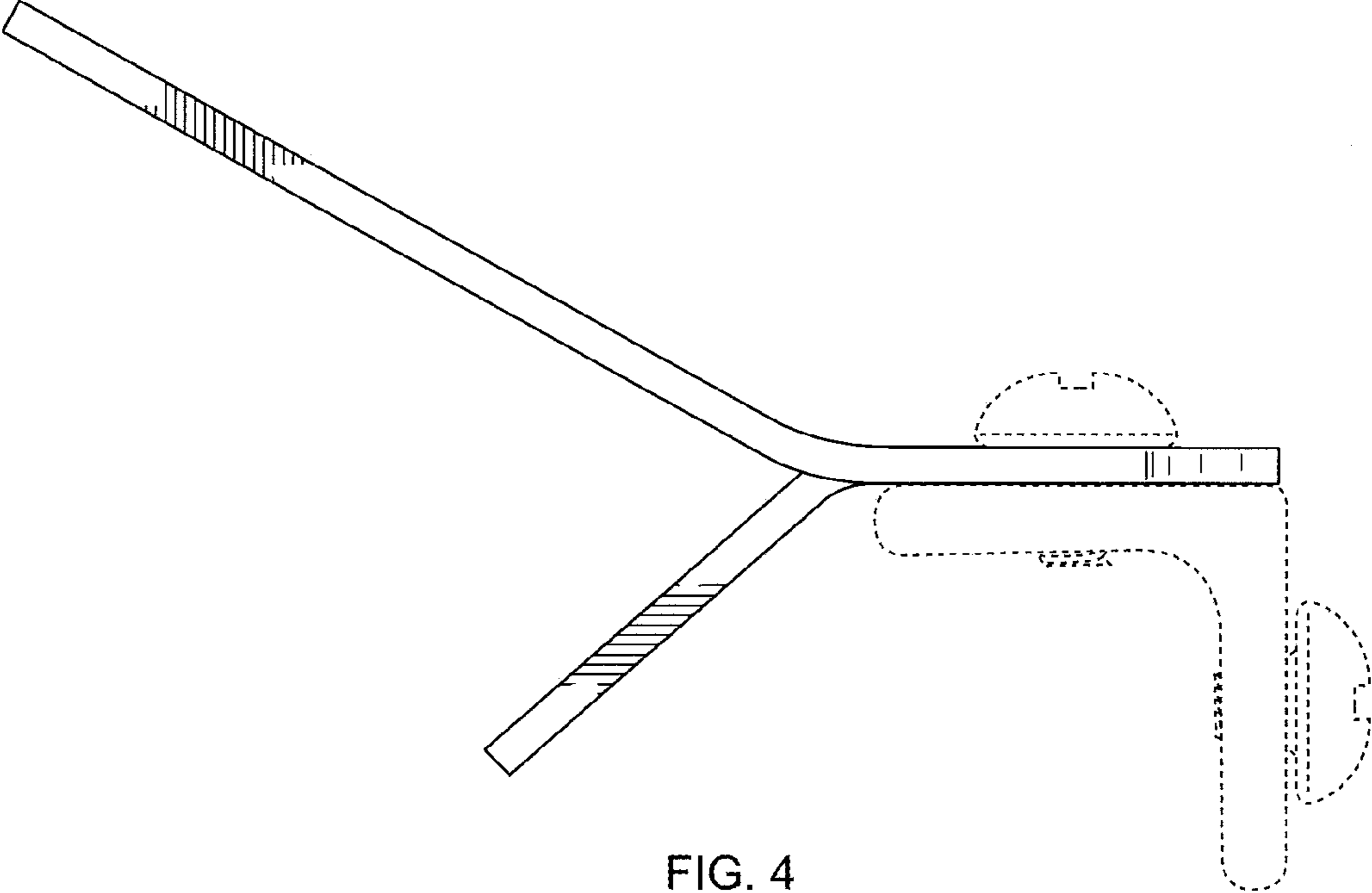


FIG.3



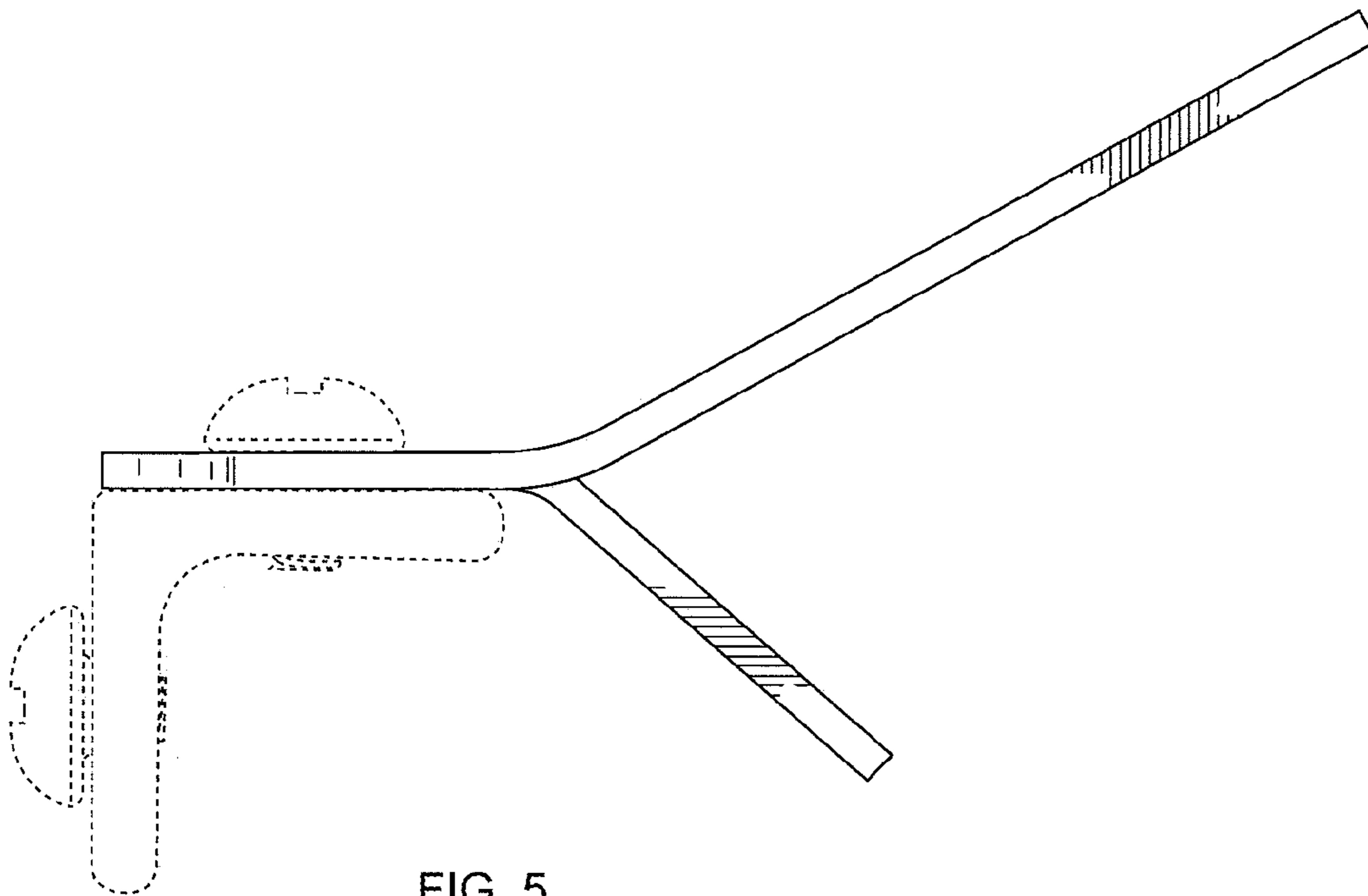


FIG. 5

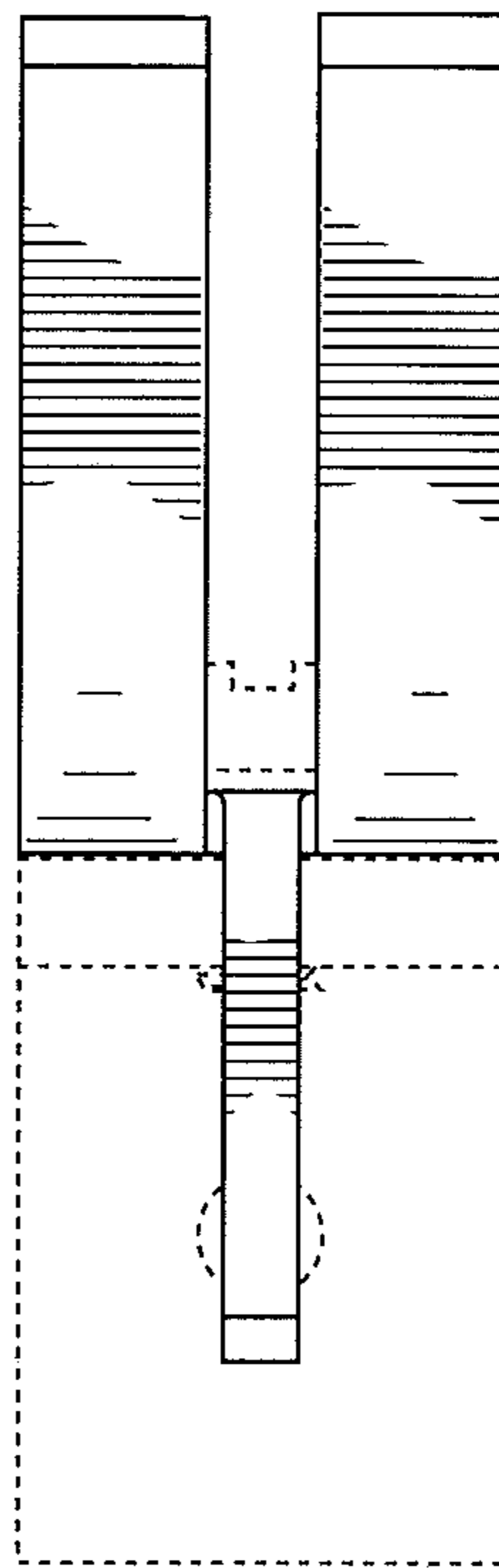


FIG. 6

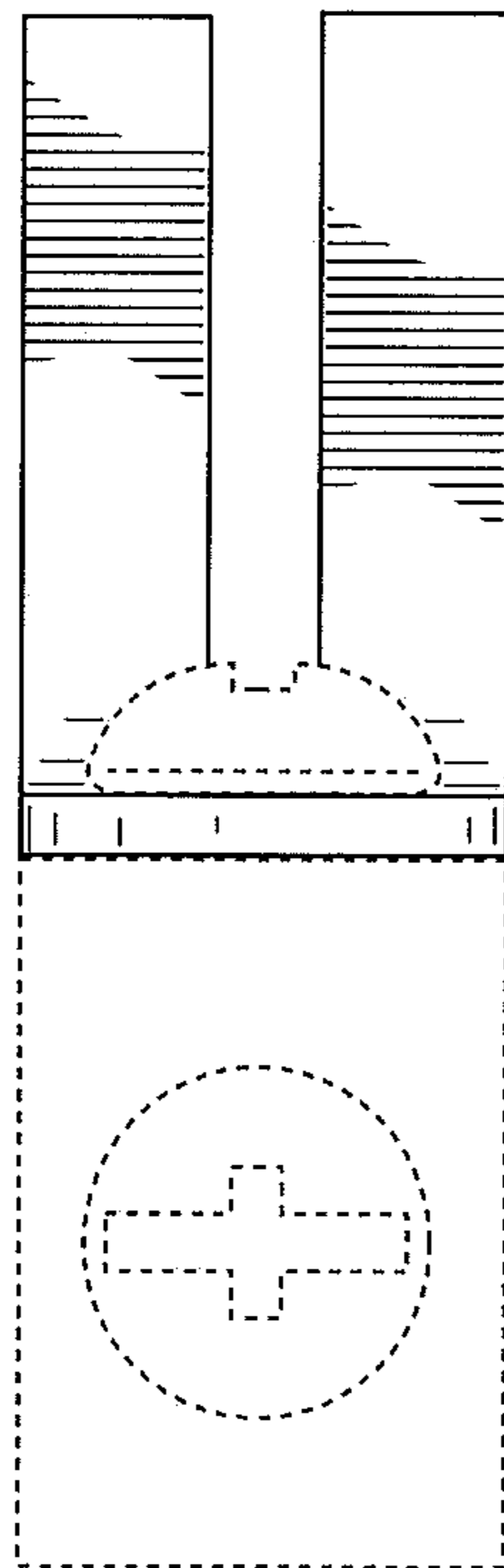


FIG. 7



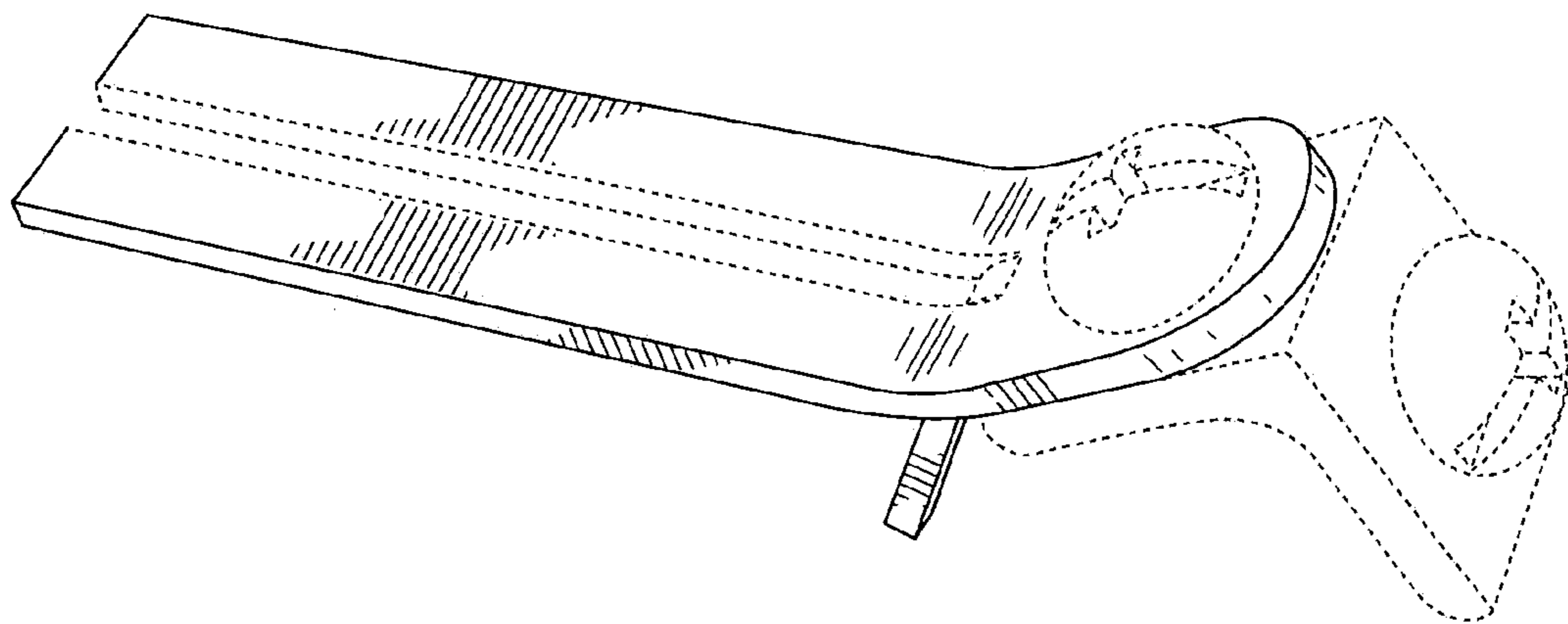


FIG. 8

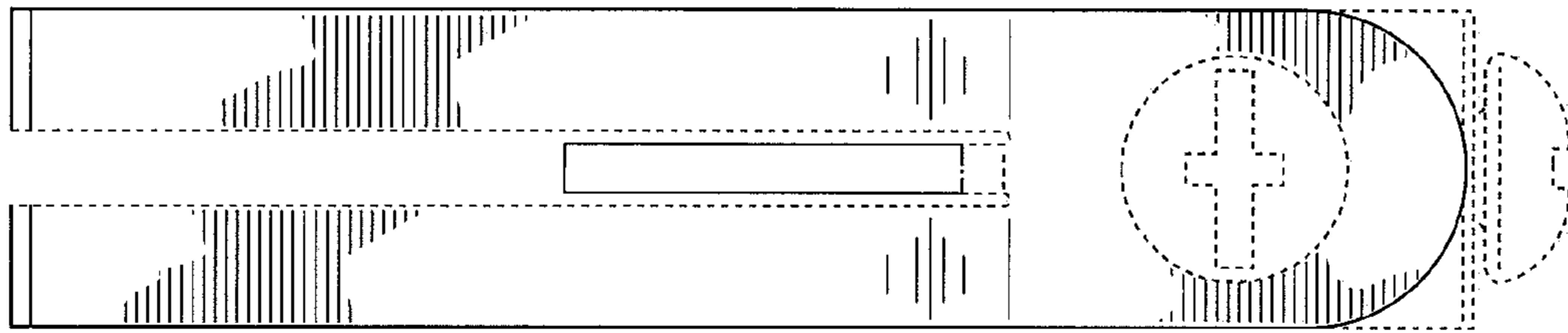


FIG. 9

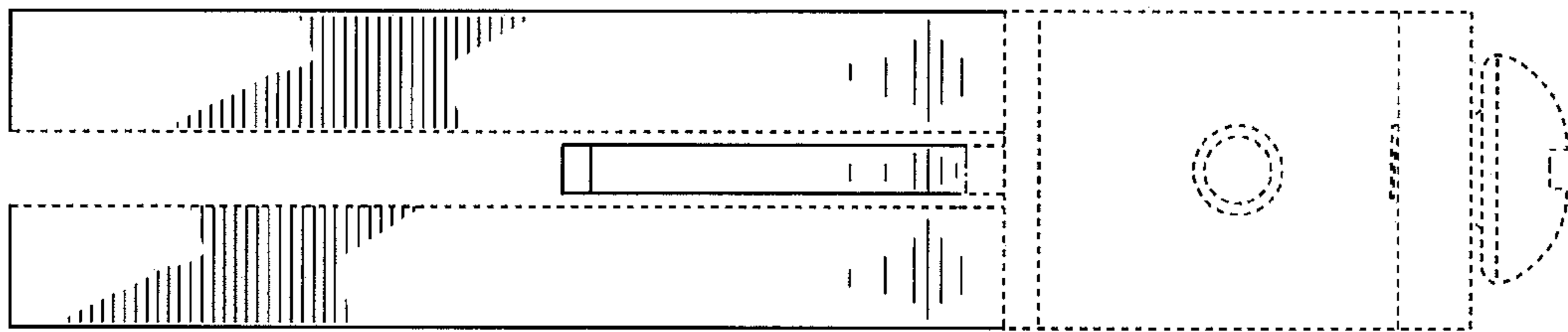


FIG.10

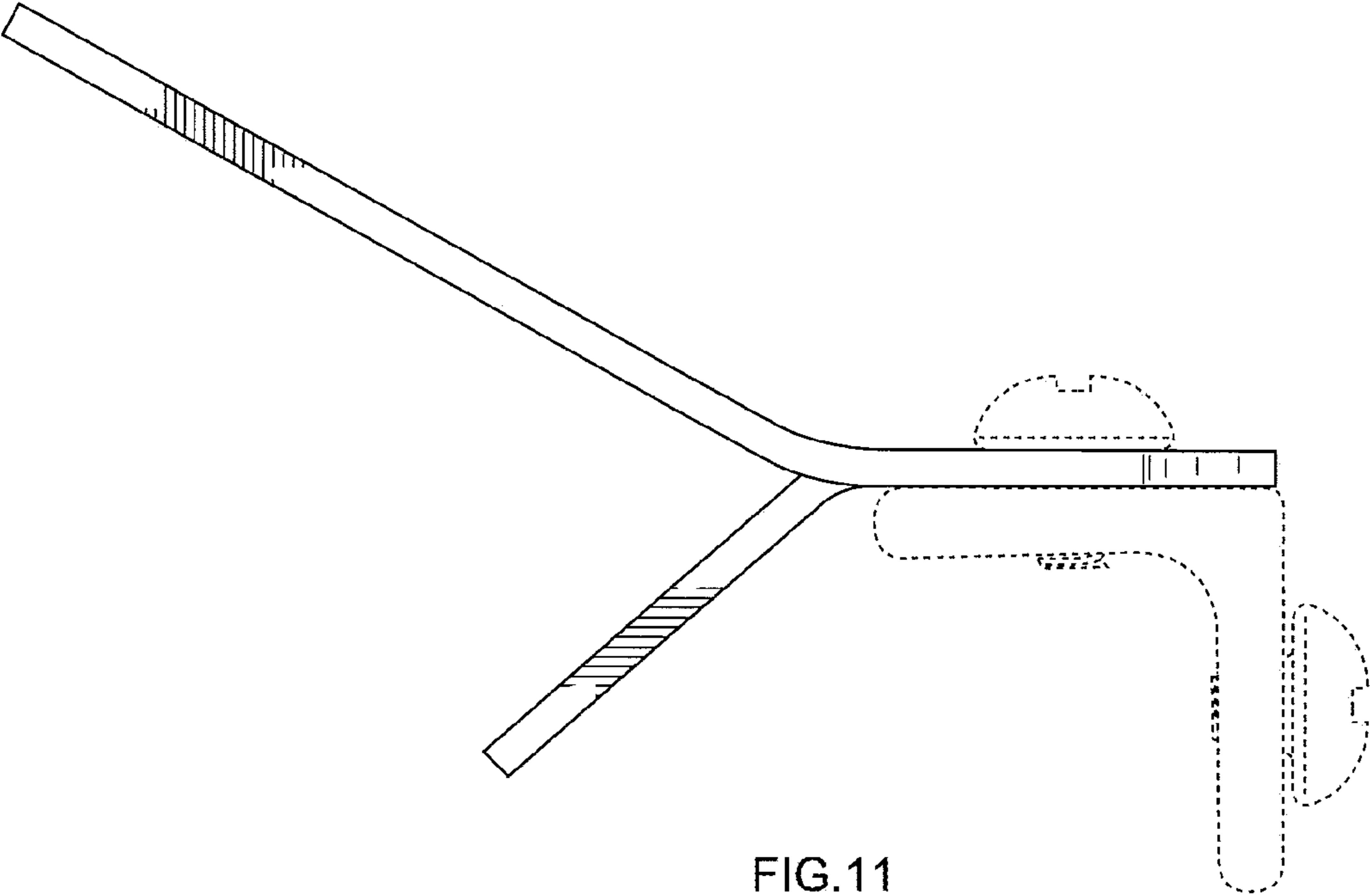


FIG.11

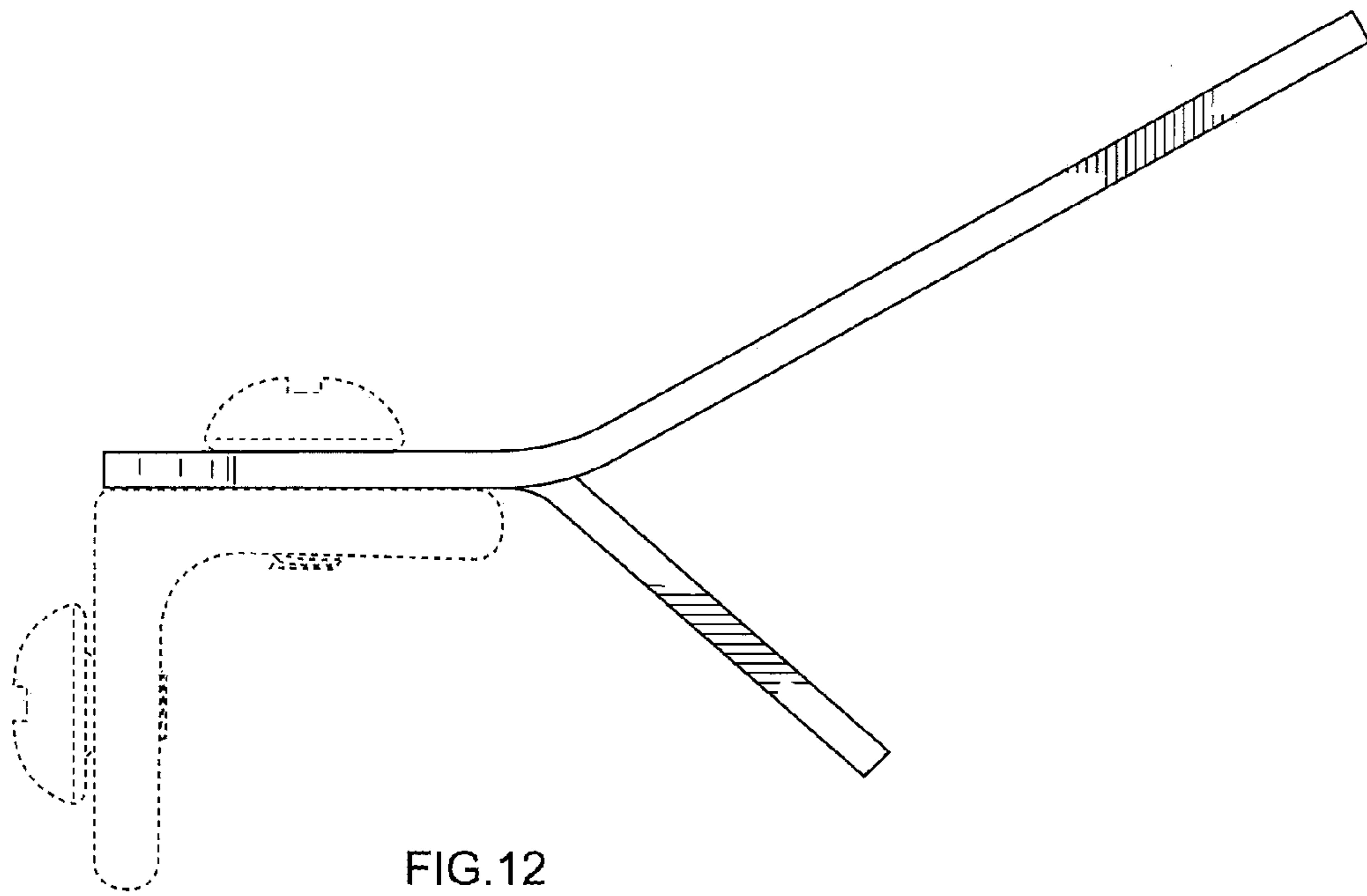


FIG. 12

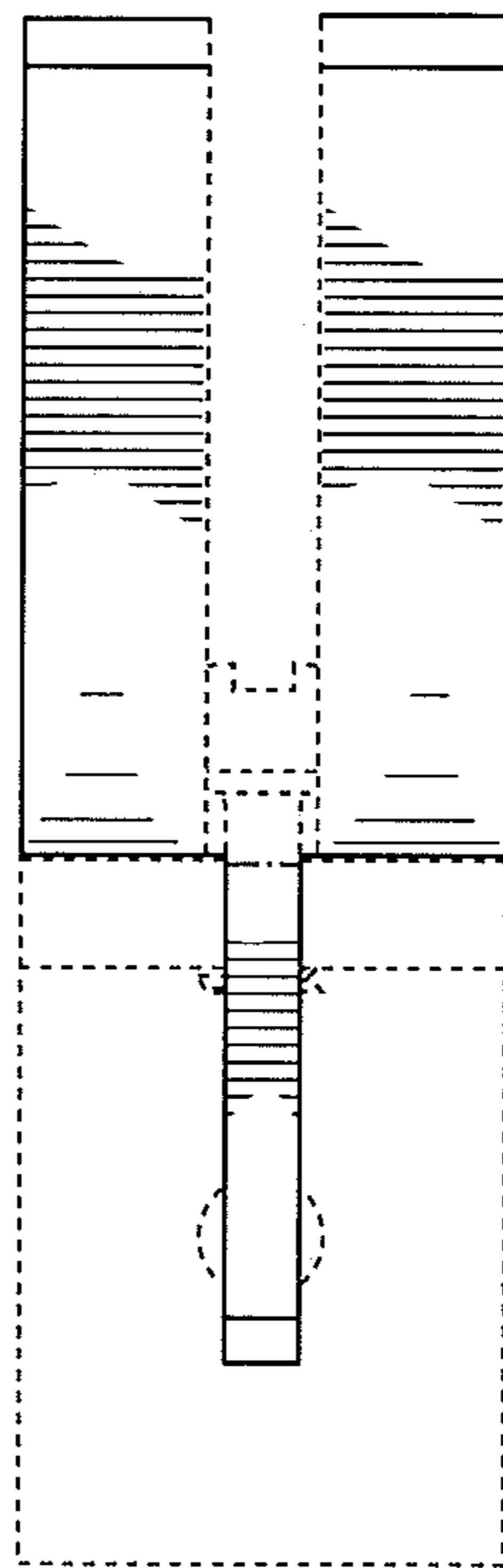


FIG.13

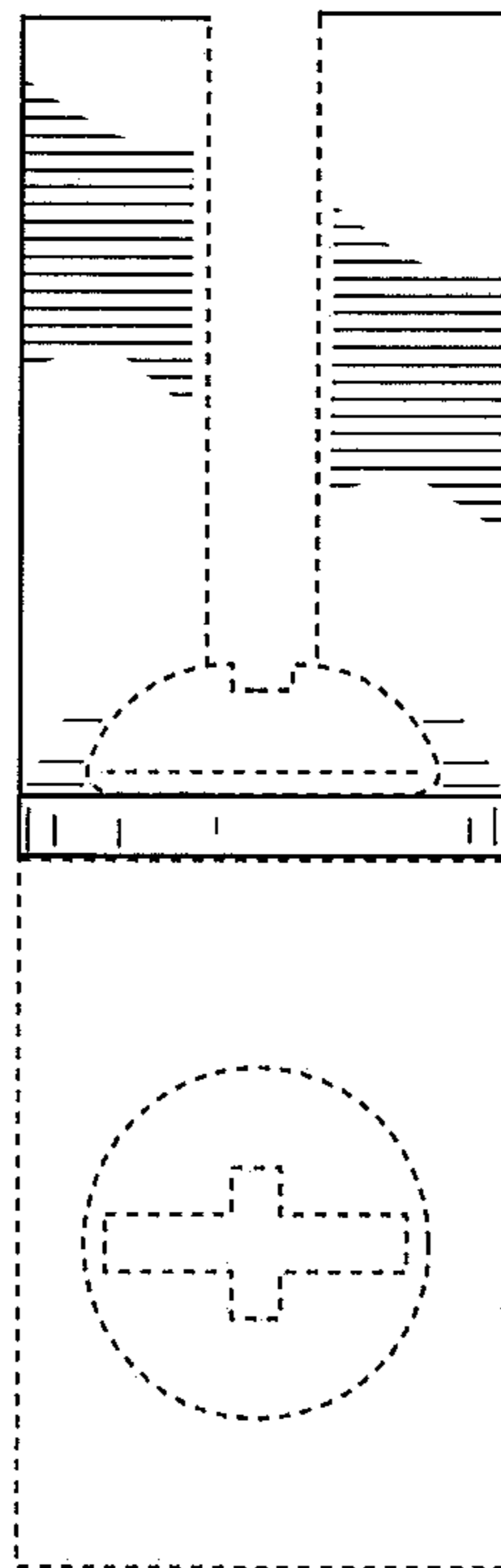


FIG.14