



US00D760576S

(12) **United States Design Patent**  
**Plato**

(10) **Patent No.:** **US D760,576 S**  
(45) **Date of Patent:** **\*\* Jul. 5, 2016**

- (54) **LOCK**
- (71) Applicant: **Master Lock Company LLC**, Oak Creek, WI (US)
- (72) Inventor: **Lea Marie Plato**, Shorewood, WI (US)
- (73) Assignee: **Master Lock Company LLC**, Oak Creek, WI (US)

- D151,634 S 11/1948 Hanna
- 2,931,204 A 4/1960 Check
- D196,374 S 9/1963 Dolly
- D196,679 S 10/1963 Schaffer
- 3,472,049 A 10/1969 Sewell
- 3,624,939 A 12/1971 Gossard
- 4,055,972 A 11/1977 Calegan
- 4,253,178 A 2/1981 Kolaczia
- 4,339,062 A 7/1982 Witt, Jr.

(Continued)

(\*\*) Term: **14 Years**

(21) Appl. No.: **29/517,083**

(22) Filed: **Feb. 10, 2015**

(51) **LOC (10) Cl.** ..... **08-07**

(52) **U.S. Cl.**  
USPC ..... **D8/334**

(58) **Field of Classification Search**  
USPC ..... D8/330-347; 70/14, 20-28, 31, 32, 39, 70/41, 52-56, 86, 314, 423, DIG. 43, 70/DIG. 56, 38 A, DIG. 3, DIG. 4  
CPC ..... E05B 67/08; E05B 67/00; E05B 67/02; E05B 2067/00; E05B 9/00; E05B 63/00  
See application file for complete search history.

(56) **References Cited**

**U.S. PATENT DOCUMENTS**

- D24,689 S 9/1895 Jacot
- 870,890 A 11/1907 Kruse
- 920,692 A 5/1909 Towne
- 1,062,804 A 5/1912 Spaney et al.
- 1,383,290 A 7/1921 Cressey
- 1,800,990 A 4/1931 Forrest
- 1,882,794 A 10/1932 Full
- D95,463 S 4/1935 Soref et al.
- 2,378,768 A 6/1945 Heyer
- D144,685 S 5/1946 Bouhall

**OTHER PUBLICATIONS**

Website printout from <http://wordlock.com/padlocks/>: 12 pages (2011).

(Continued)

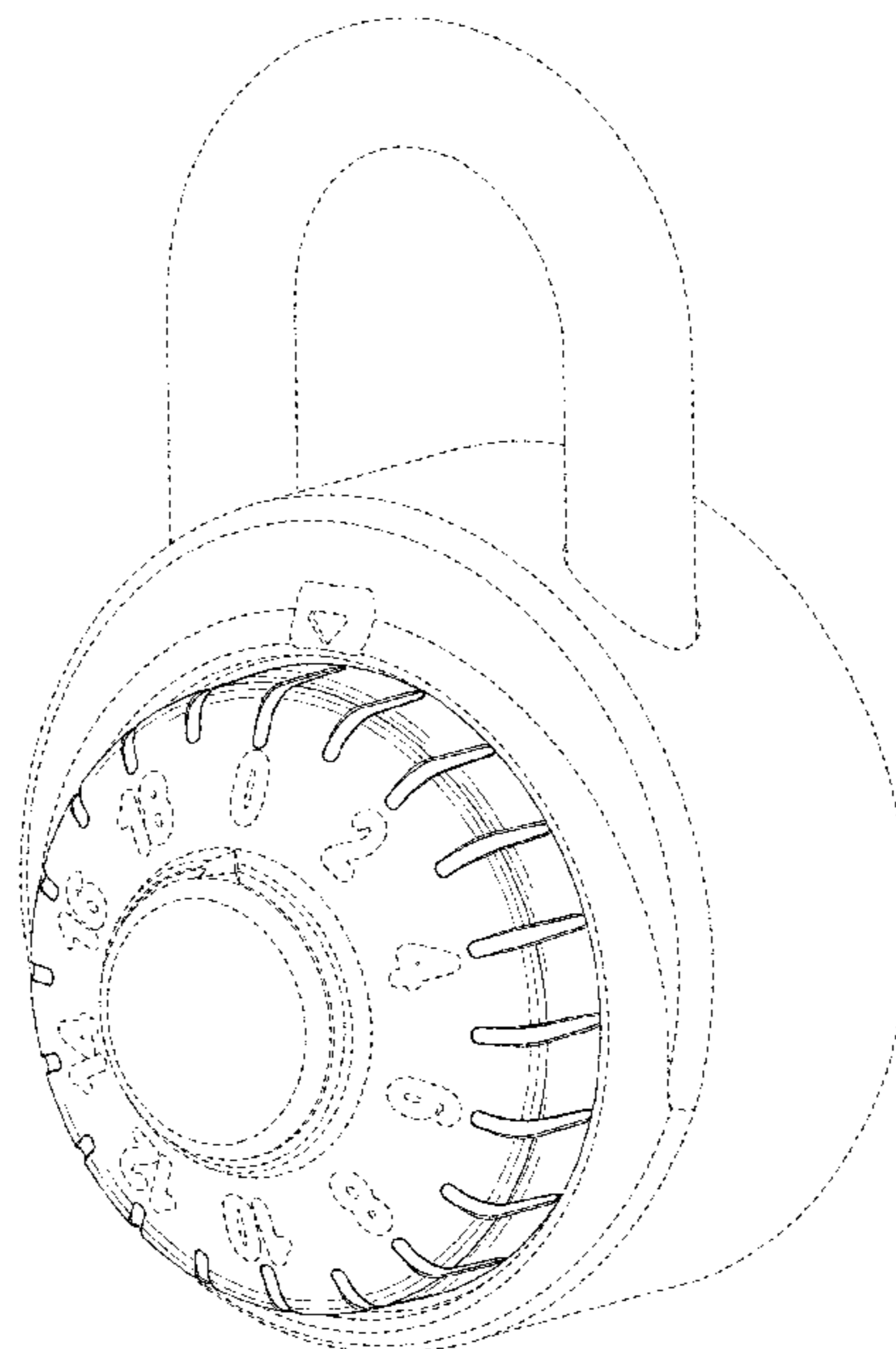
*Primary Examiner* — Prabhakar Deshmukh  
(74) *Attorney, Agent, or Firm* — Calfee, Halter & Griswold LLP

(57) **CLAIM**  
I claim the ornamental design for a lock, as shown and described.

**DESCRIPTION**

FIG. 1 is a front perspective view of a lock showing the new design;  
FIG. 2 is a front view of the lock of FIG. 1;  
FIG. 3 is a right side view of the lock of FIG. 1;  
FIG. 4 is a left side view of the lock of FIG. 1;  
FIG. 5 is a top view of the lock of FIG. 1;  
FIG. 6 is a bottom view of the lock of FIG. 1; and,  
FIG. 7 is a rear view of the lock of FIG. 1.  
The portions of the Figures shown in broken lines are for illustrative purpose only and form no part of the claimed design.

**1 Claim, 5 Drawing Sheets**



(56)

References Cited

U.S. PATENT DOCUMENTS

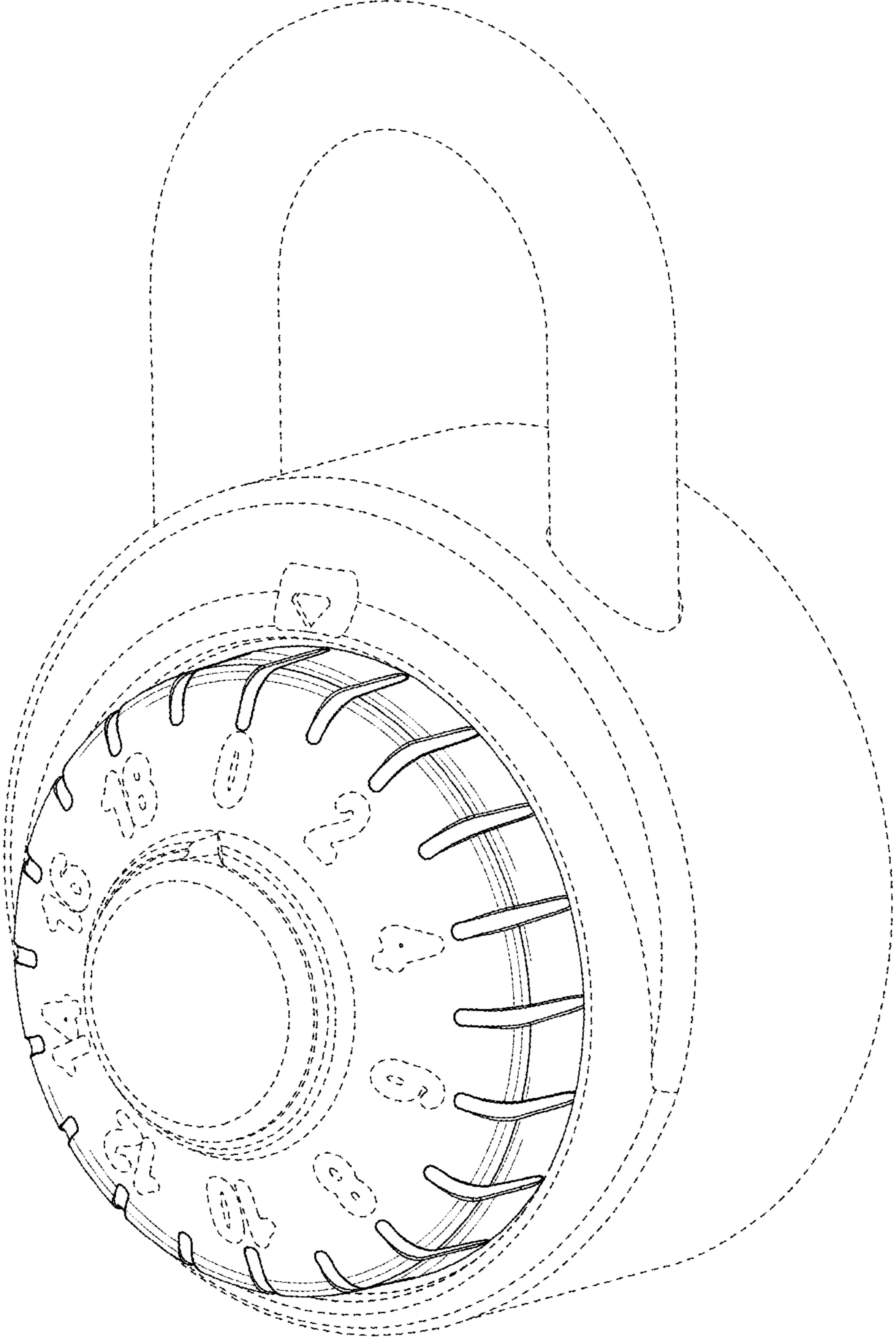
4,404,823 A 9/1983 Miller et al.  
 4,422,311 A 12/1983 Zabel et al.  
 4,462,231 A 7/1984 Zabel  
 D276,408 S \* 11/1984 Zabel ..... D8/334  
 4,534,467 A 8/1985 Rathbun  
 D297,817 S 9/1988 Guan  
 4,807,475 A 2/1989 Graham  
 D308,320 S 6/1990 Raucci  
 5,318,251 A 6/1994 Bergh  
 D354,926 S 1/1995 Schopfer  
 D361,528 S 8/1995 Hayashi et al.  
 5,618,028 A 4/1997 Hepworth  
 D380,391 S 7/1997 Osit  
 D399,409 S 10/1998 Chelaru  
 D399,410 S 10/1998 Chelaru  
 D399,411 S 10/1998 Chelaru  
 D399,412 S 10/1998 Chelaru  
 5,908,265 A 6/1999 Mostkoff  
 D418,392 S 1/2000 Kelley  
 D419,305 S 1/2000 Porter et al.  
 6,041,918 A 3/2000 Moore  
 D422,893 S 4/2000 Heredos-Formby  
 D425,706 S 5/2000 Calderone  
 D430,496 S 9/2000 Hartzband  
 D430,838 S 9/2000 Chelaru  
 D430,998 S 9/2000 Chelaru  
 D431,016 S 9/2000 Chelaru  
 D431,218 S 9/2000 Chelaru  
 D431,446 S 10/2000 Chelaru  
 D434,300 S 11/2000 Chelaru  
 D434,672 S 12/2000 Beriliat  
 D437,769 S 2/2001 Yang  
 D445,343 S 7/2001 Schneider  
 D445,666 S 7/2001 Gable  
 D449,406 S 10/2001 Angeletta  
 D453,675 S 2/2002 Liu  
 D459,971 S 7/2002 Quan et al.  
 D473,446 S 4/2003 Quan et al.  
 6,556,513 B2 4/2003 Wimberly  
 D486,722 S 2/2004 Fonfeder

6,689,964 B2 2/2004 Petrucelli  
 D488,049 S 4/2004 Fonfeder  
 D488,050 S 4/2004 Fonfeder  
 D488,051 S 4/2004 Fonfeder  
 D490,722 S 6/2004 Weismann et al.  
 6,871,997 B2 3/2005 Hartmann et al.  
 D506,122 S 6/2005 Welch  
 D506,667 S 6/2005 Welch  
 D507,473 S 7/2005 Welch  
 D507,474 S 7/2005 Welch  
 D521,359 S 5/2006 Welch  
 7,367,683 B2 5/2008 Marcelle et al.  
 D582,293 S 12/2008 Fasciano  
 D606,494 S 12/2009 Holliday  
 D629,280 S \* 12/2010 Plato ..... D8/334  
 D638,279 S \* 5/2011 Plato ..... D8/334  
 8,018,727 B2 9/2011 Westberg et al.  
 D646,952 S \* 10/2011 Plato ..... D8/334  
 D646,953 S 10/2011 Schmidt et al.  
 D662,394 S \* 6/2012 Schmidt ..... D8/334  
 8,322,916 B2 12/2012 Patt  
 D673,836 S \* 1/2013 Stevens ..... D8/334  
 D679,168 S 4/2013 Stevens et al.  
 D685,252 S \* 7/2013 Stevens ..... D8/334  
 D698,225 S 1/2014 Stevens et al.  
 D704,532 S 5/2014 Stevens et al.  
 D736,592 S \* 8/2015 Gengler ..... D8/334

OTHER PUBLICATIONS

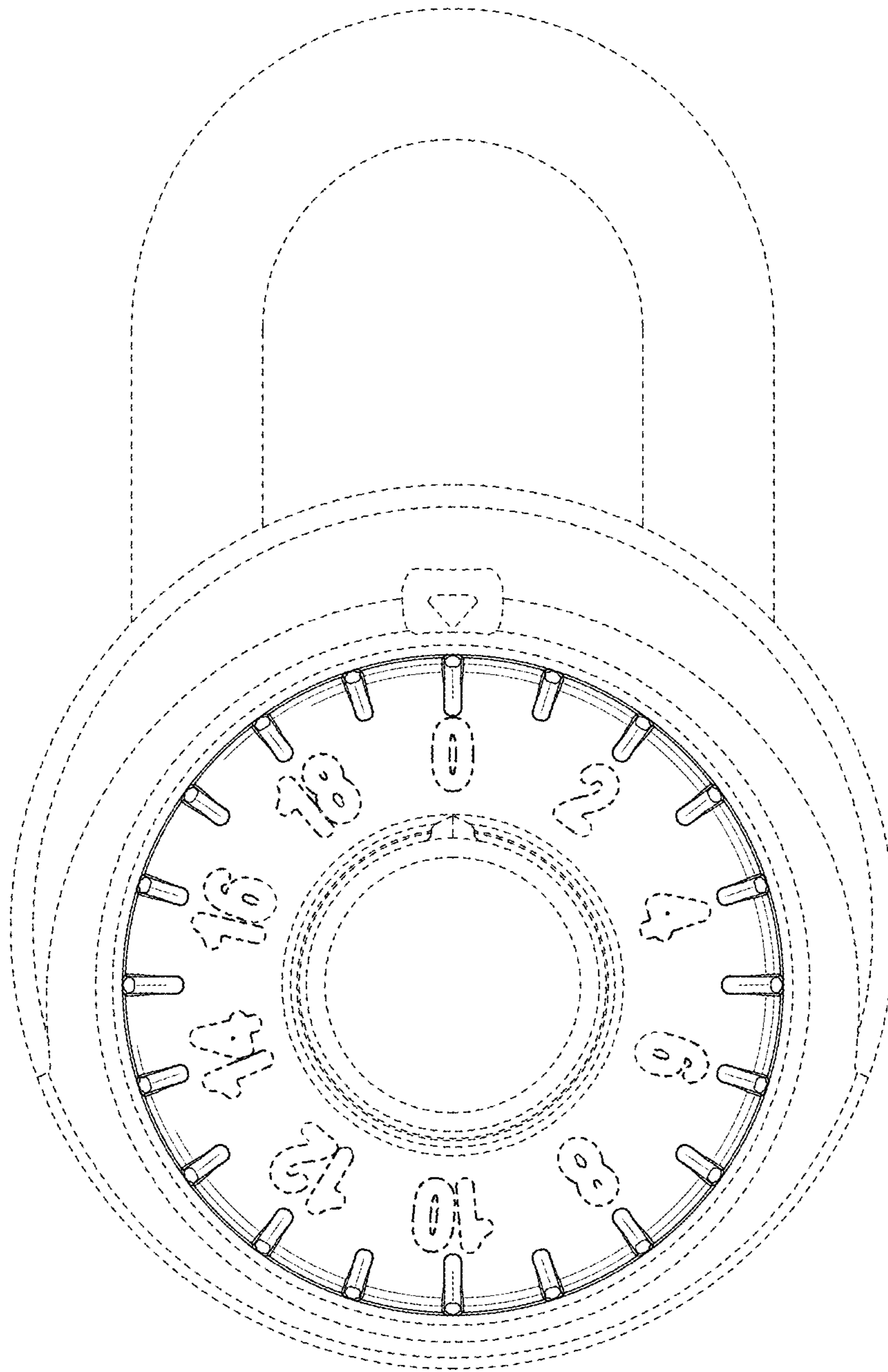
Master Lock Black Dial No. 1502; Printout of Product Features; printed from website Mar. 9, 2012, 2 pages.  
 Master Lock, Combination Padlocks—No. 1525, Printout of Product Features, printed from website Mar. 9, 2012; 2 pages.  
 Dudley-School Series-DYRP300; printed from website Mar. 9, 2012; 1 page.  
 Dudley-DYMK300 and DYMK800MK Key Control Series, printed from website Mar. 9, 2012; 2 pages.  
 McGraw-Edison Locks, Catalog L-2122, p. 4, No. 52 Combination Lock.  
 Master Lock Catalog, May 1993, p. 16, Institutional Combination Locks.

\* cited by examiner

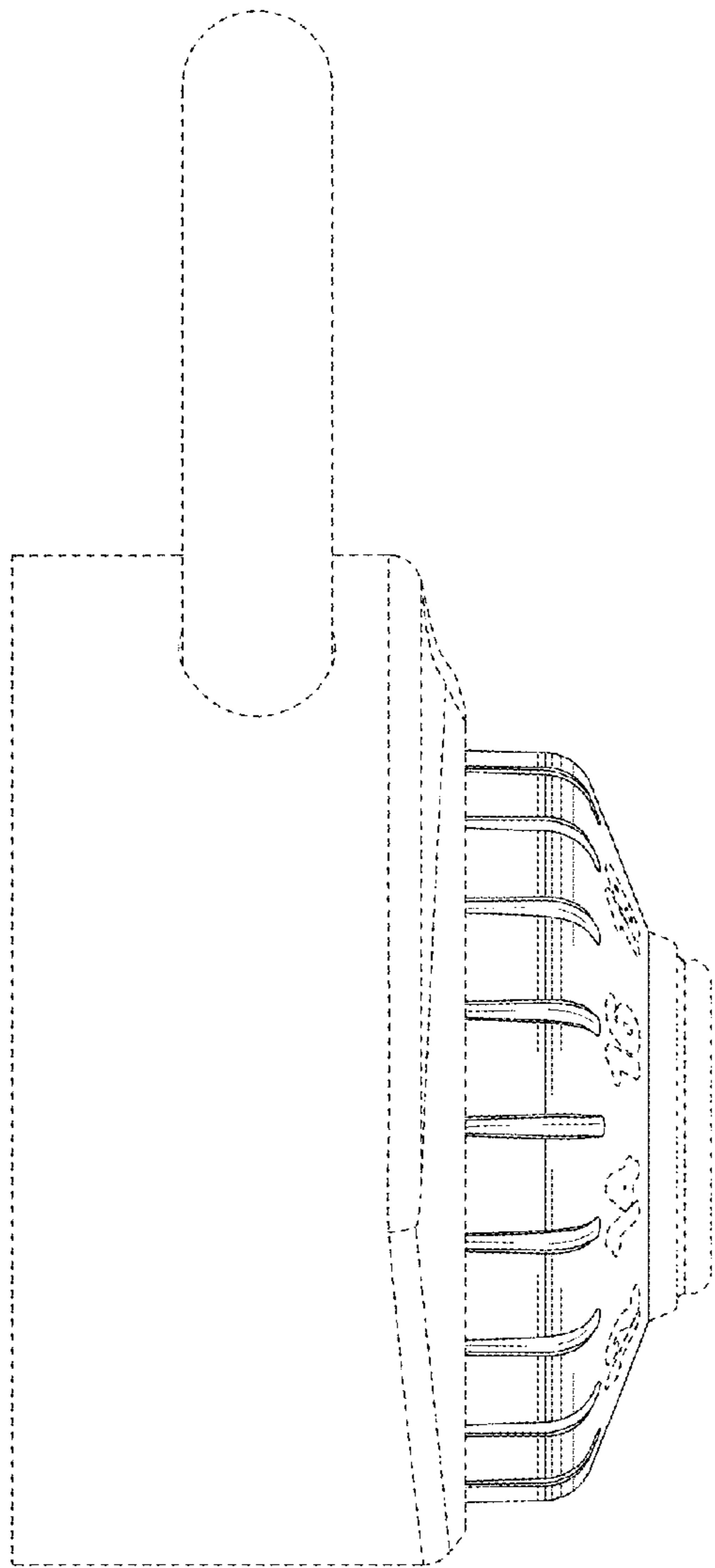


**FIG. 1**

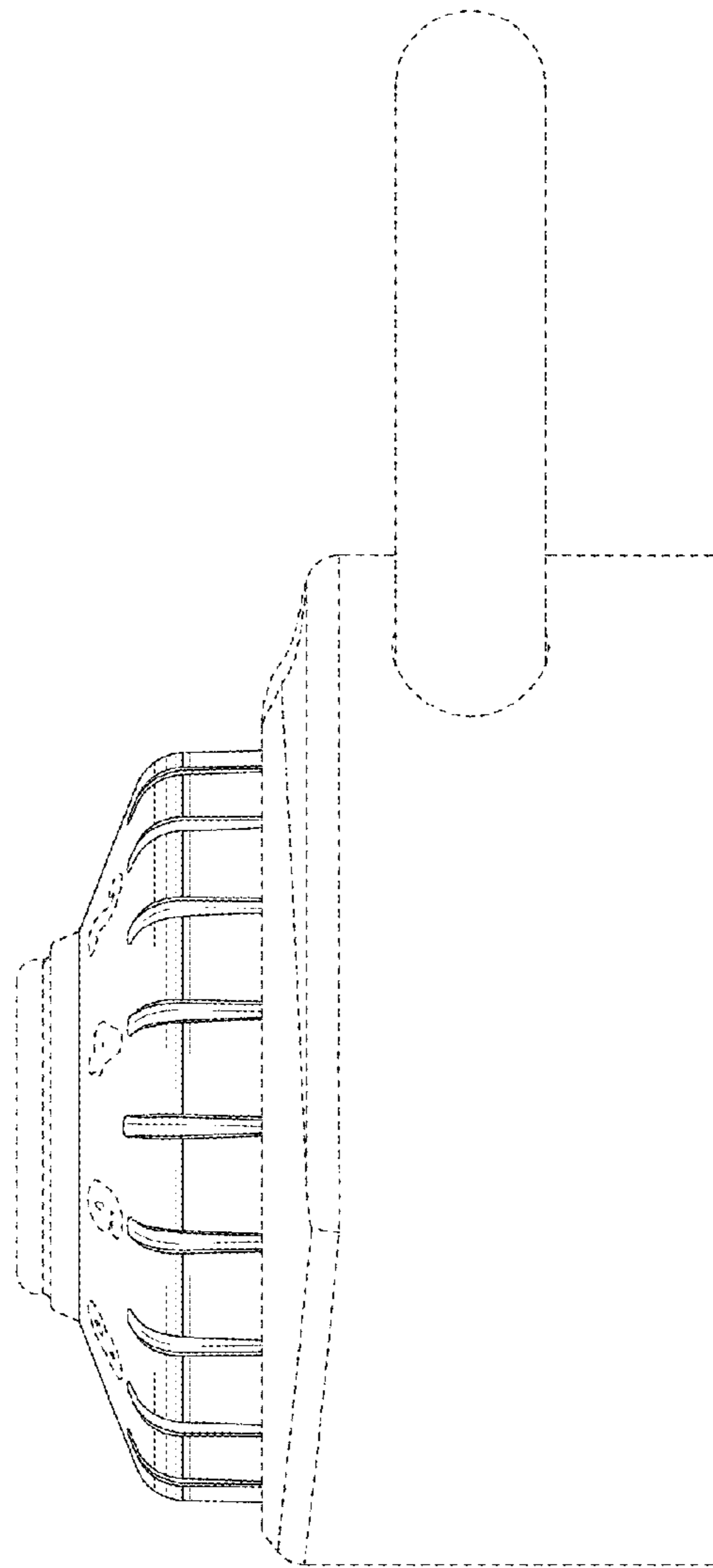




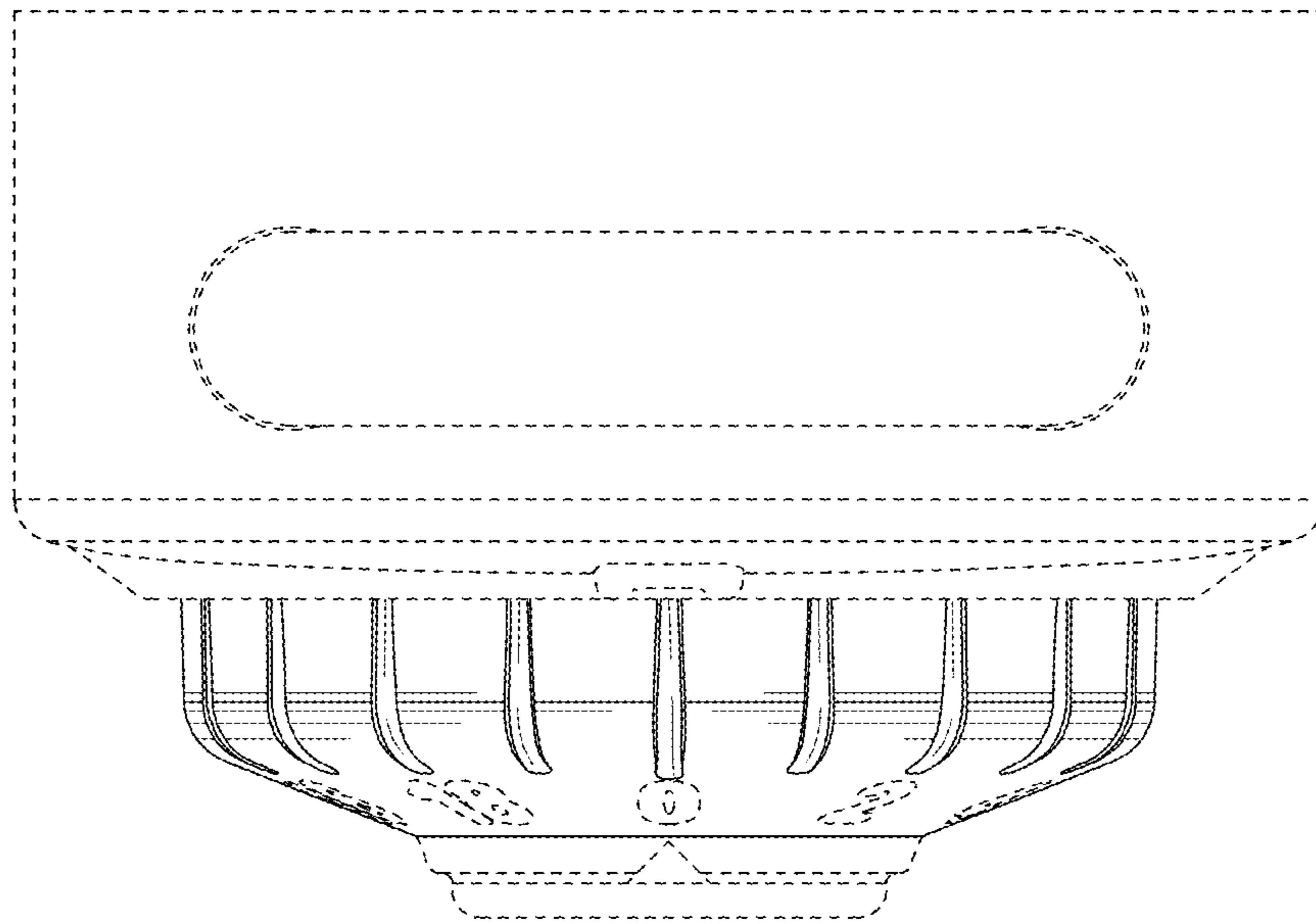
**FIG. 2**



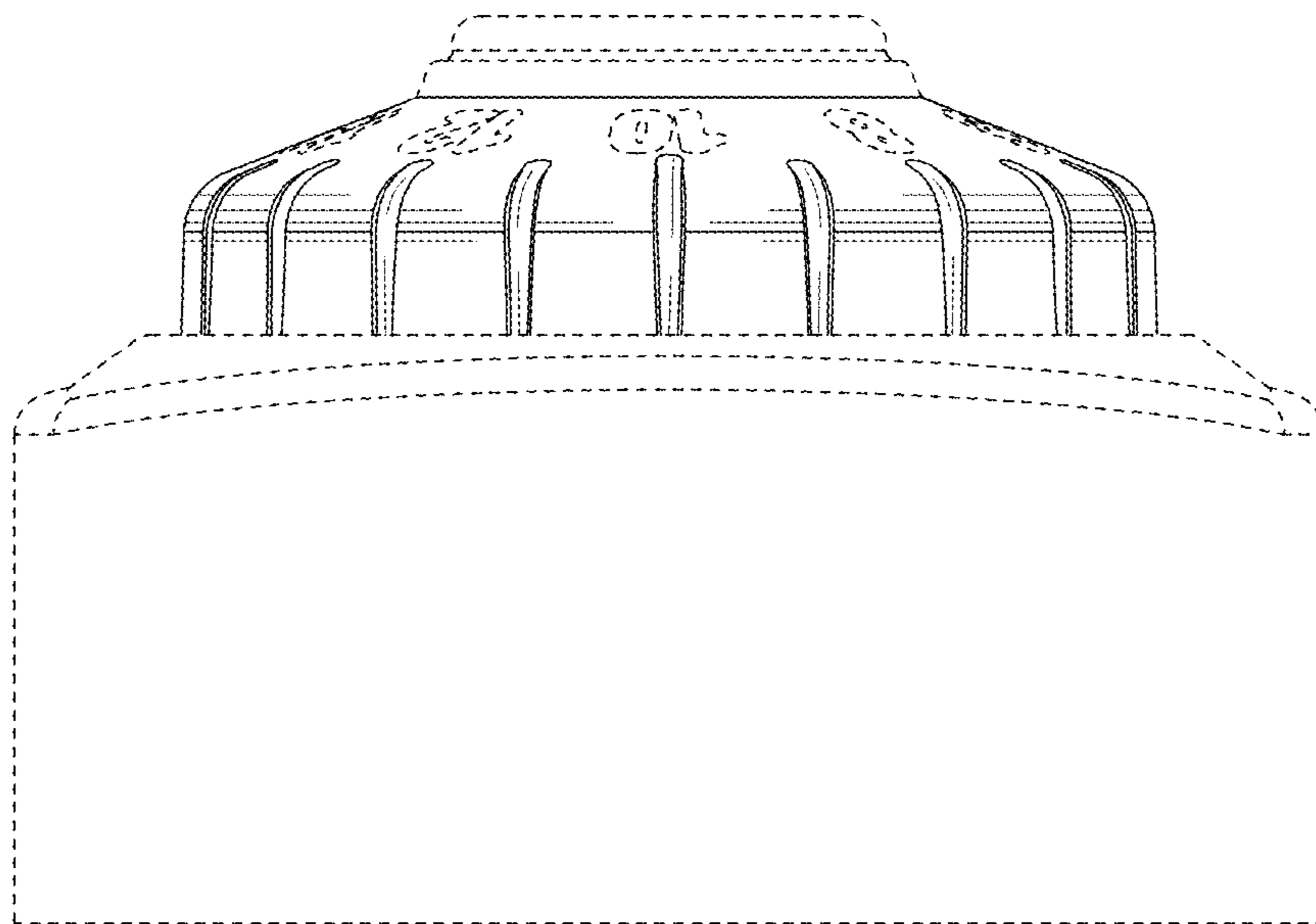
**FIG. 3**



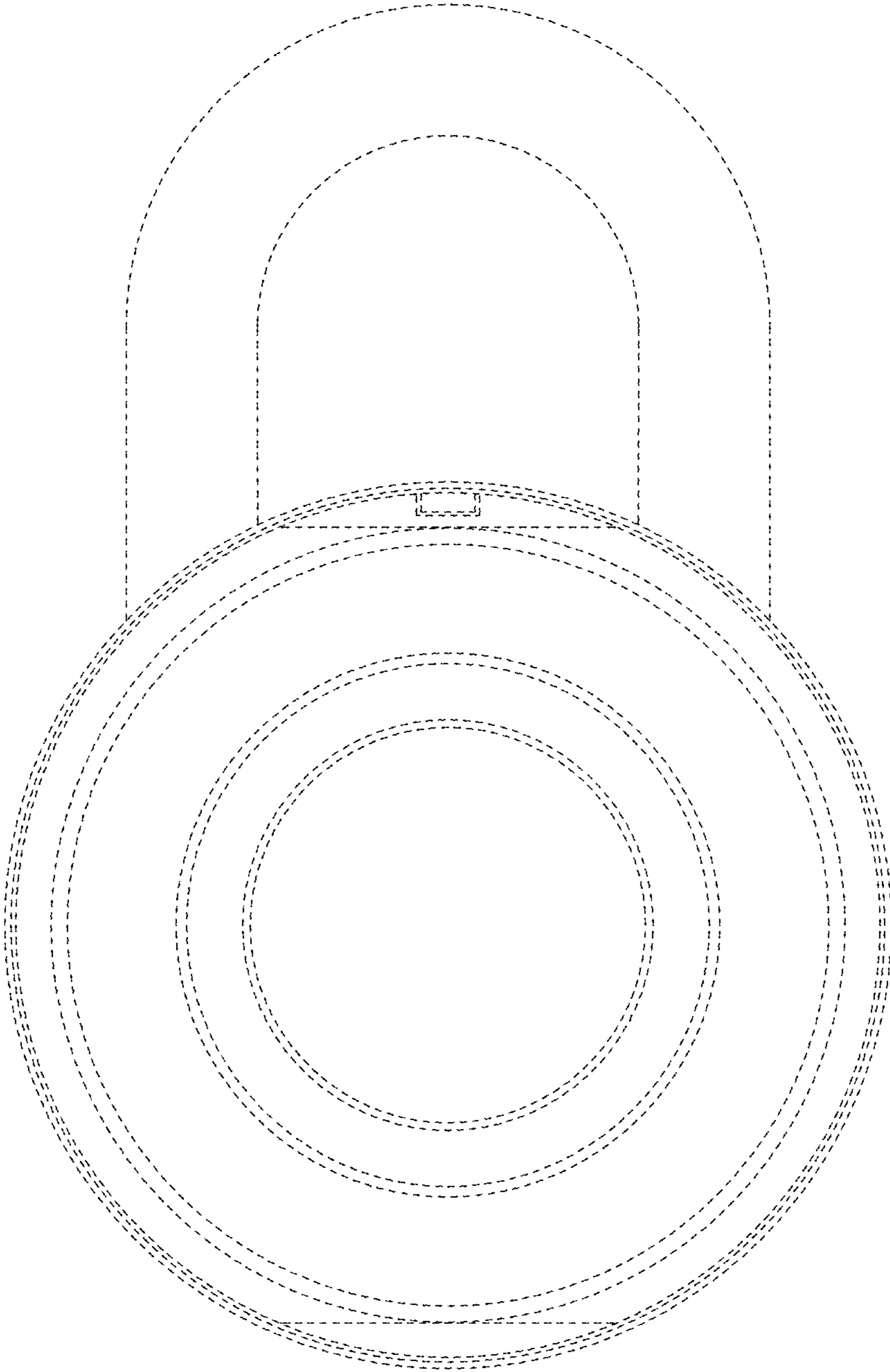
**FIG. 4**



**FIG. 5**



**FIG. 6**



**FIG. 7**