



US00D760574S

(12) **United States Design Patent**
Arthurs et al.

(10) **Patent No.:** **US D760,574 S**
(45) **Date of Patent:** **** Jul. 5, 2016**

- (54) **RELEASE MECHANISM KNOB FOR A WASTE CONTAINER**
- (71) Applicant: **The Eastern Company**, Cleveland, OH (US)
- (72) Inventors: **Scott Arthurs**, Brunswick, OH (US);
Lee S. Weinerman, Medina, OH (US)
- (73) Assignee: **THE EASTERN COMPANY**, Cleveland, OH (US)

3,018,671	A *	1/1962	Ogle, Jr.	D06F 75/18 38/77.83
D333,167	S *	2/1993	Guenette	D8/311
5,585,578	A *	12/1996	Shimotori	F16B 35/06 16/445
D573,004	S *	7/2008	Bogdan	D8/307
D582,209	S *	12/2008	Thomas	D7/394
D584,920	S *	1/2009	Munari	D7/394
D607,270	S *	1/2010	Munari	D7/394
D608,137	S *	1/2010	Rae	D7/394
D739,204	S *	9/2015	Arthurs	D8/307
2014/0339246	A1 *	11/2014	Arseneau	B25G 1/102 220/755

(**) Term: **14 Years**

(21) Appl. No.: **29/509,434**

(22) Filed: **Nov. 18, 2014**

(51) **LOC (10) Cl.** **08-06**

(52) **U.S. Cl.**
USPC **D8/311; D8/307**

(58) **Field of Classification Search**
USPC D8/107, 300–309, 321, 343, 346, 347;
D23/250–254, 264; 16/110.1, 414,
16/417, 430, 441, 426, 443, DIG. 21,
16/DIG. 40; D21/694; D34/10, 11;
D7/393, 394, 548
CPC . Y10T 16/476; Y10T 16/466; Y10T 16/4713;
Y10T 16/469; Y10T 16/44; Y10T 74/20828;
Y10T 279/17982; Y10T 29/49826; Y10T
74/20732; Y10T 74/20864; Y10T 16/4559;
Y10T 408/96; Y10T 279/17957; Y10T
16/459; Y10T 407/1825; Y10T 74/2078;
Y10T 74/20822; Y10T 29/53; Y10T 29/537;
B25G 1/102; B25G 1/00; B25G 1/10; B25G
3/00; Y10S 16/12; Y10S 16/19; Y10S 16/906;
Y10S 56/18; B26B 3/00; B26B 5/00; B26B
13/20; B26B 1/10

See application file for complete search history.

(56) **References Cited**

U.S. PATENT DOCUMENTS

2,798,404 A * 7/1957 Schaefer F16B 37/16
16/110.1

OTHER PUBLICATIONS

Colorado Great Grips, Inc., “Great Grips Doorknob Covers”,
retrieved from “www.greatgrips.com/ada/html”, retrieved on Apr. 9,
2014.

* cited by examiner

Primary Examiner — Derrick Holland

Assistant Examiner — Lauren Calve

(74) *Attorney, Agent, or Firm* — Ralph E. Jocke; Walker &
Jocke

(57) **CLAIM**

The ornamental design for a release mechanism knob for a
waste container, as shown and described.

DESCRIPTION

FIG. 1 is a top, front, right side perspective view of a release
mechanism knob for a waste container showing our new
design.

FIG. 2 is a top, back, left side perspective view thereof.

FIG. 3 is a back view thereof.

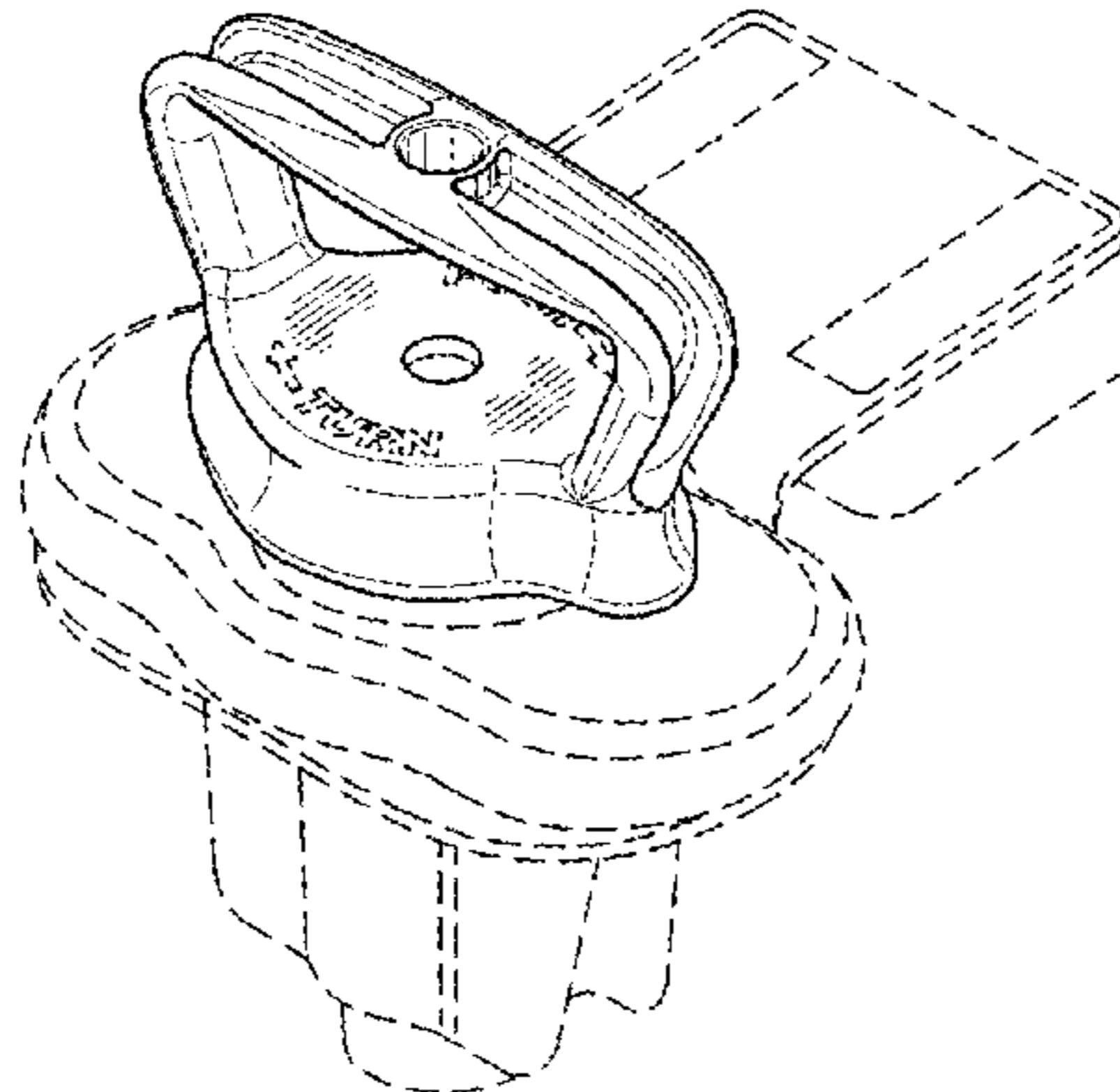
FIG. 4 is a front view thereof.

FIG. 5 is a top view thereof.

FIG. 6 is a left side view thereof; and,

FIG. 7 is a right side view thereof. The broken lines shown
represent unclaimed subject matter and form no part of the
claimed design.

1 Claim, 4 Drawing Sheets



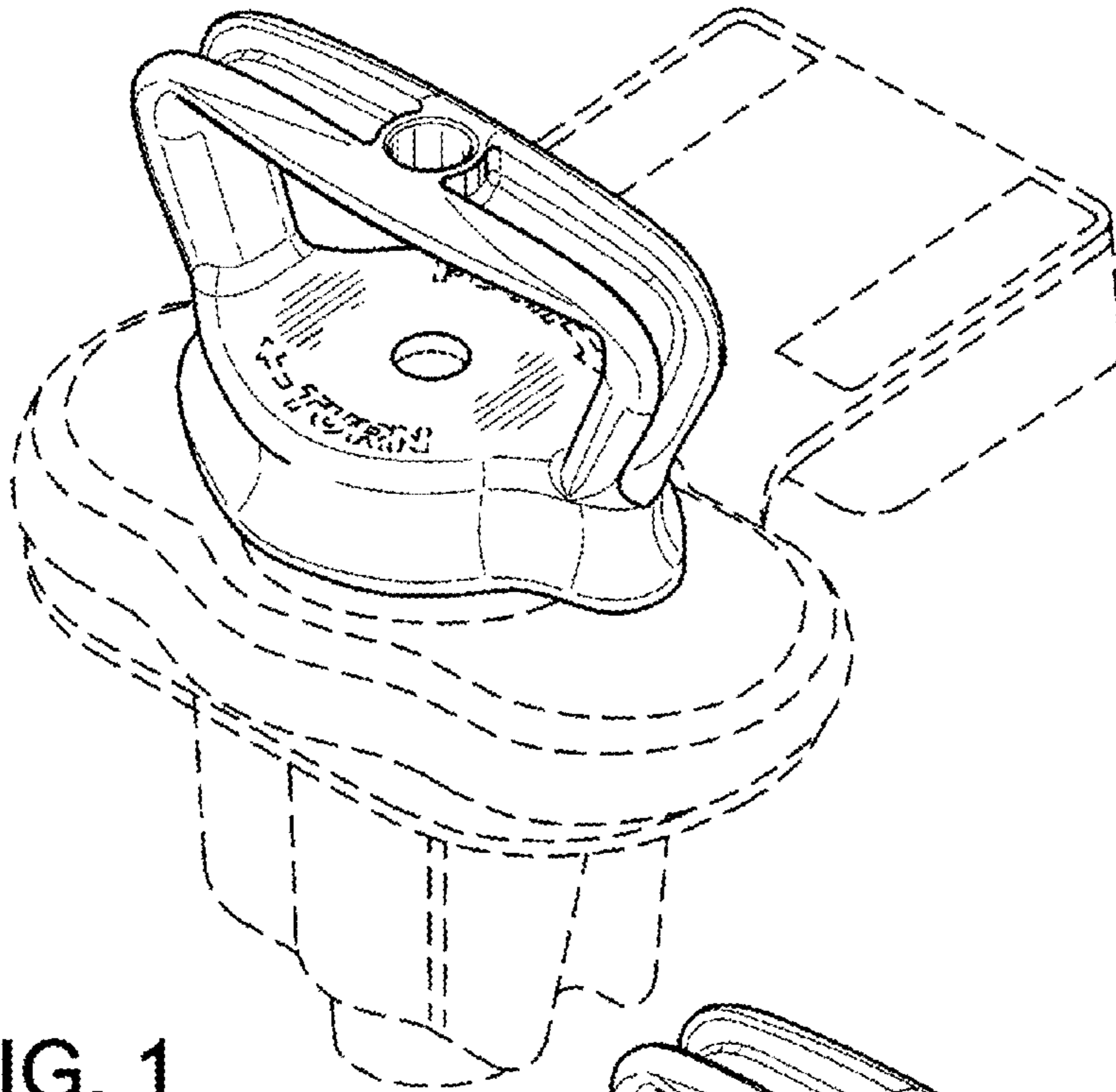


FIG. 1

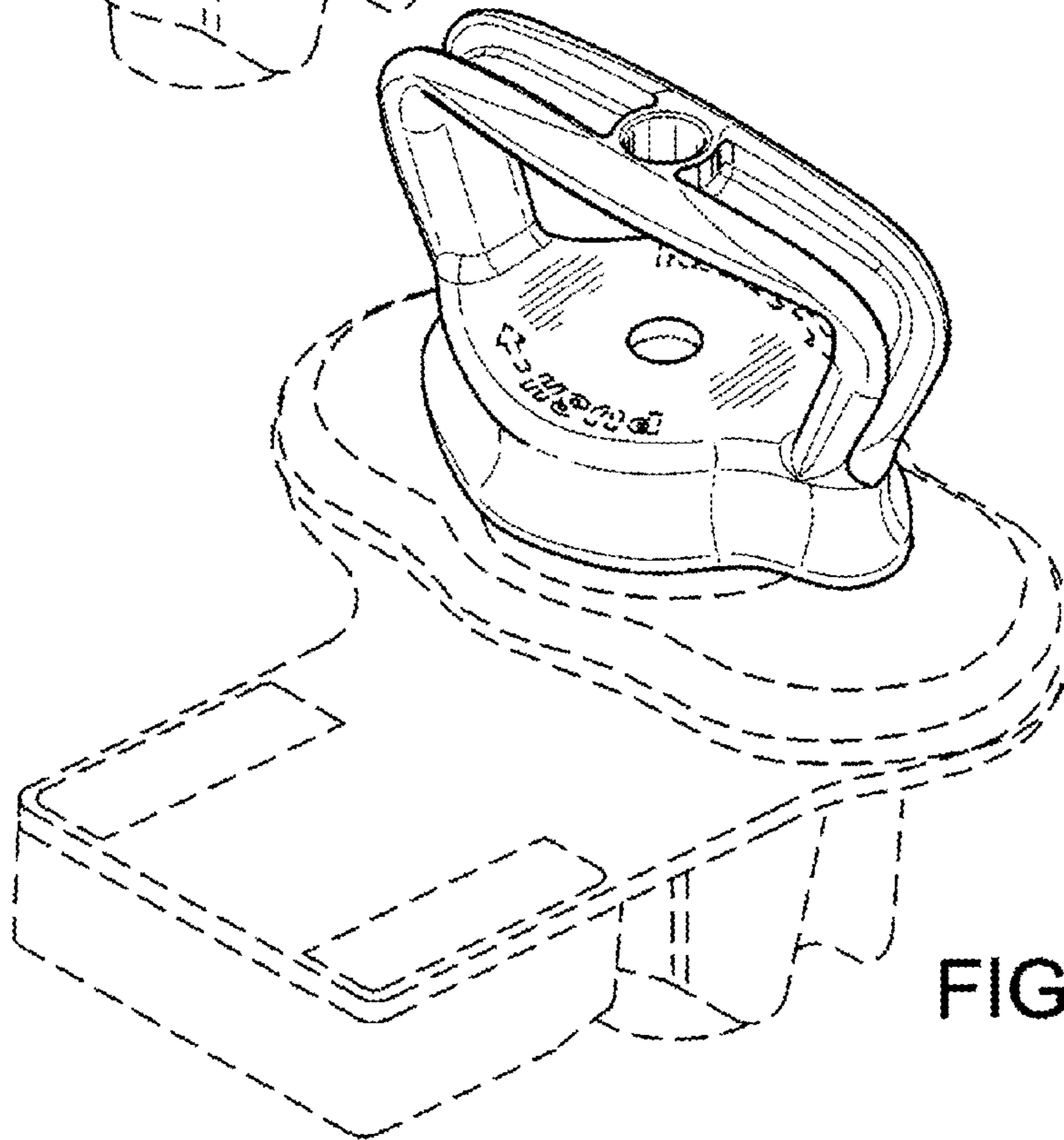
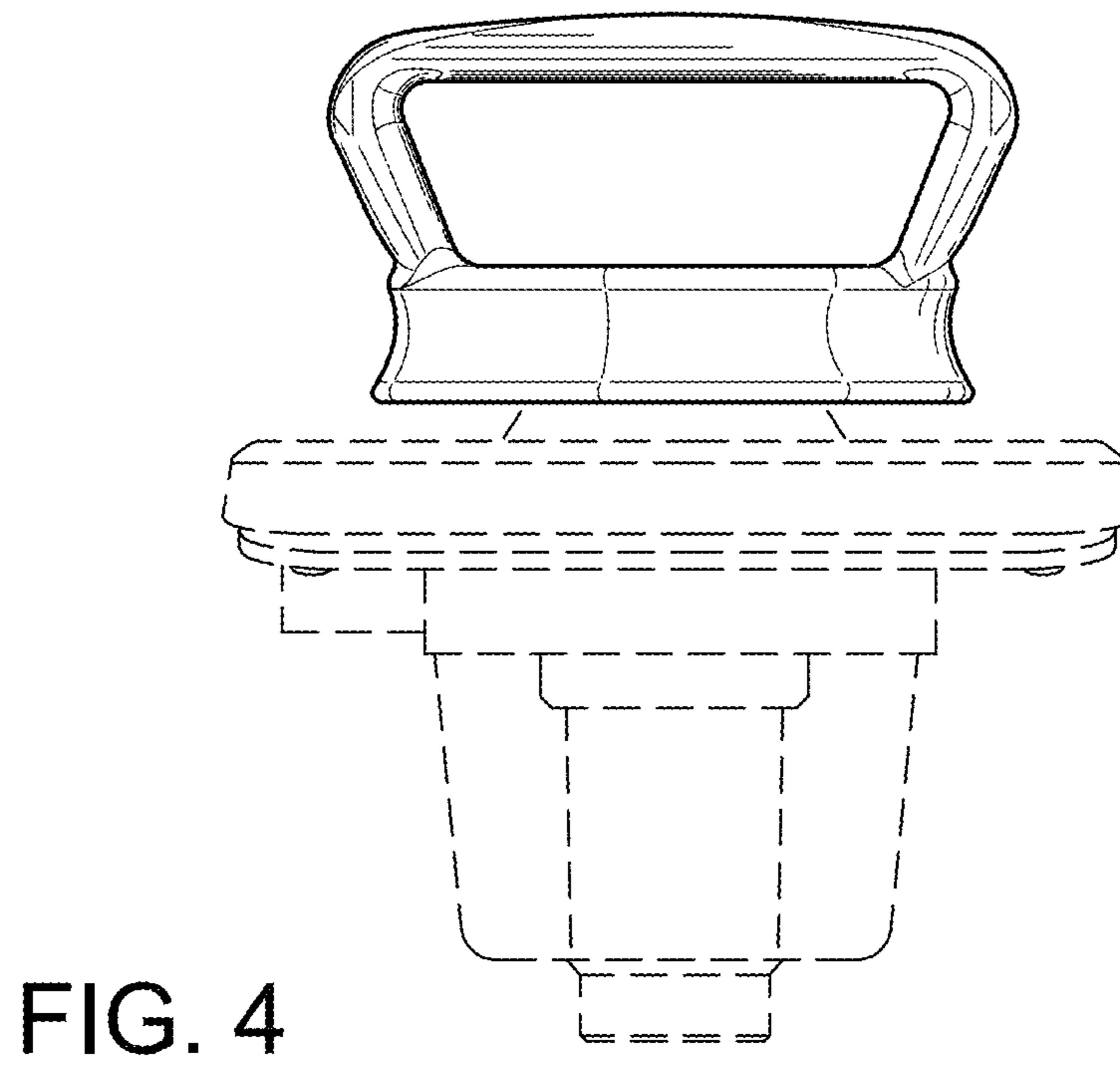
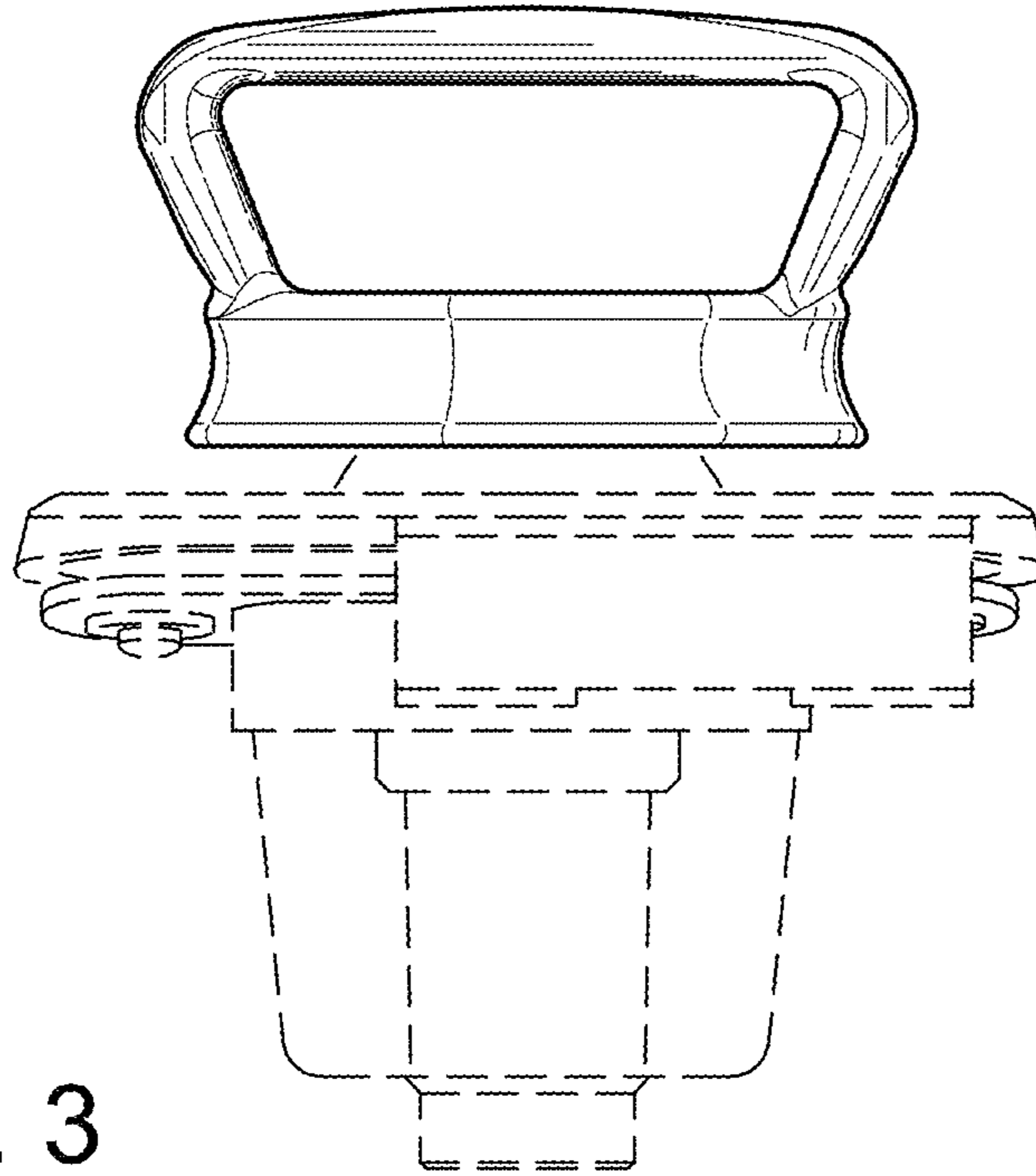


FIG. 2



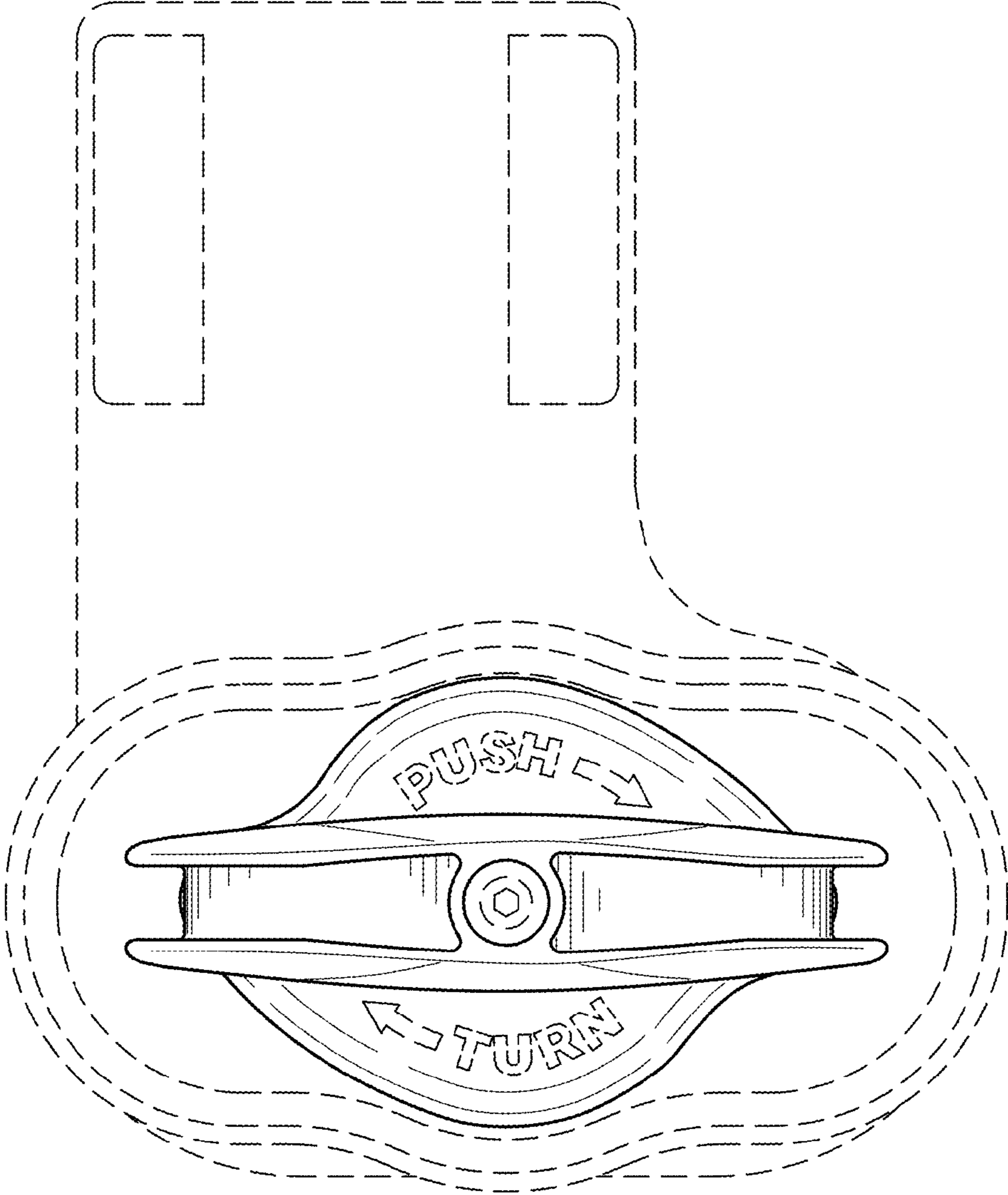


FIG. 5

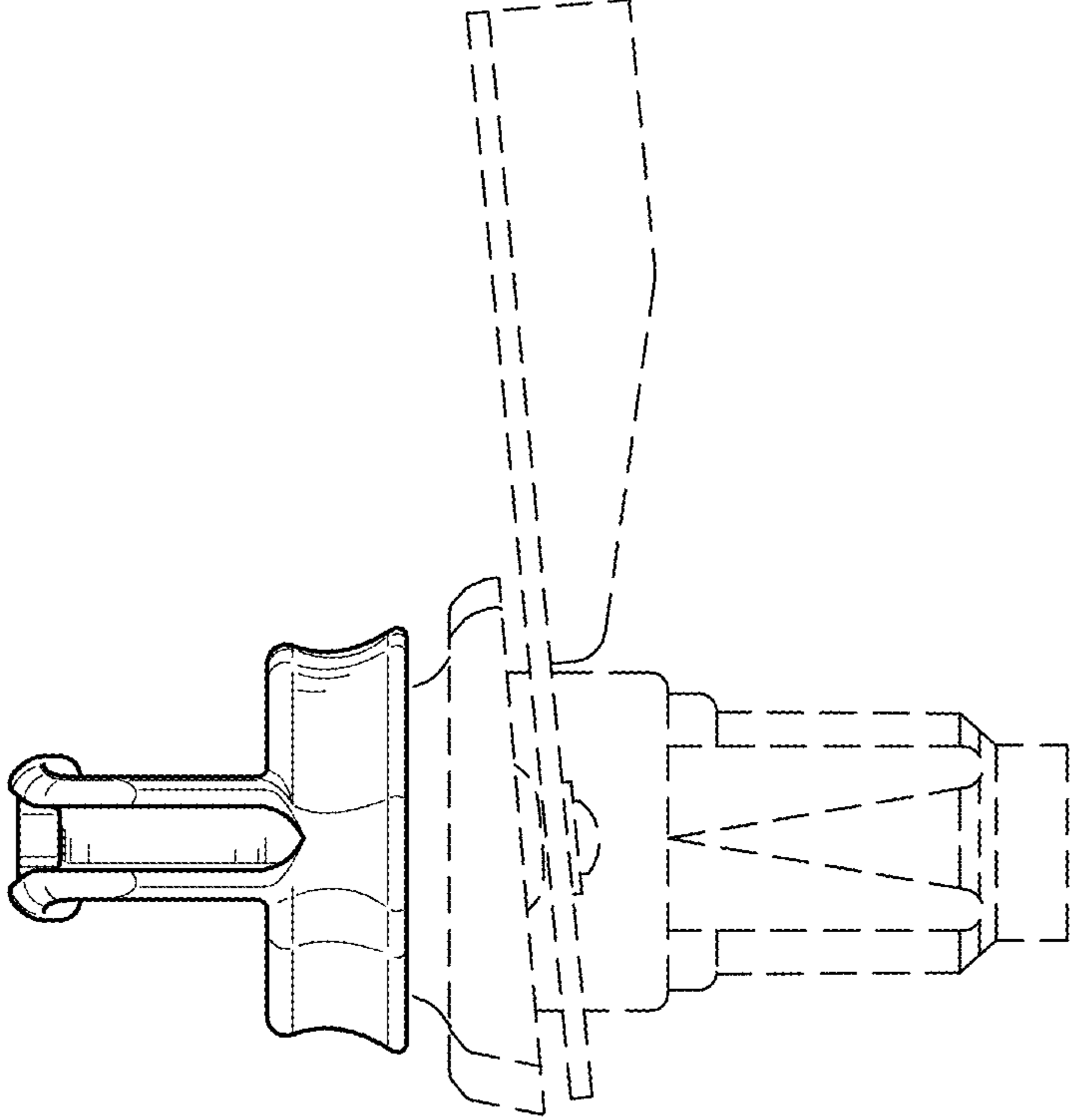


FIG. 6

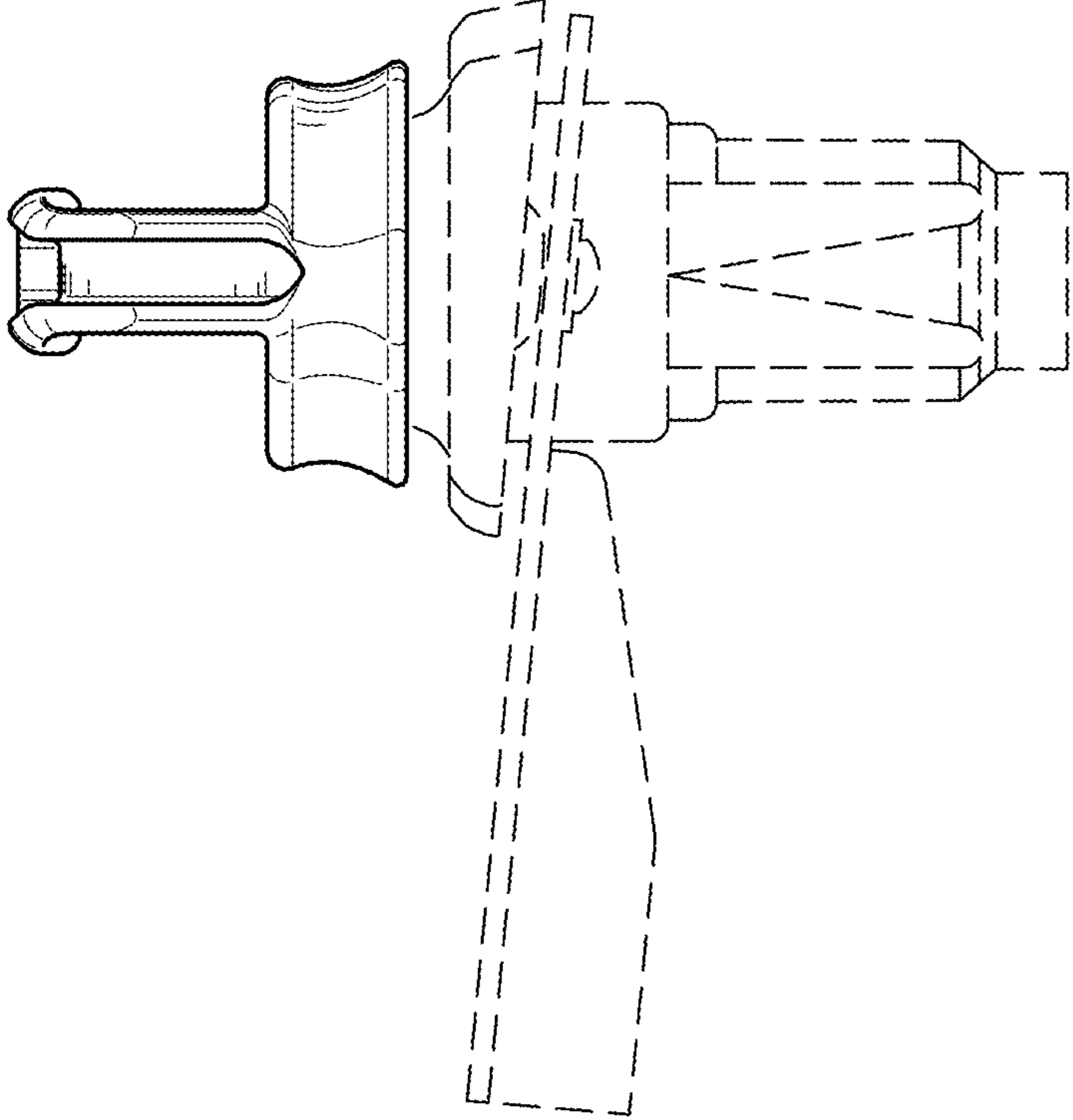


FIG. 7