



US00D760572S

(12) **United States Design Patent**
Baker et al.

(10) **Patent No.:** **US D760,572 S**
(45) **Date of Patent:** **** Jul. 5, 2016**

(54) **WELDING SLAG HAMMER**

(71) Applicants: **Daniel E. Baker**, Riverside, CA (US);
Kandis S. Baker, Riverside, CA (US)

(72) Inventors: **Daniel E. Baker**, Riverside, CA (US);
Kandis S. Baker, Riverside, CA (US)

(**) Term: **14 Years**

(21) Appl. No.: **29/486,895**

(22) Filed: **Apr. 3, 2014**

(51) **LOC (10) Cl.** **08-02**

(52) **U.S. Cl.**
USPC **D8/81**

(58) **Field of Classification Search**
USPC D8/14, 31, 47, 75-81, 88-89;
7/143-147, 158, 166-167; 81/20, 25;
30/164.5, 164.8, 168; 125/40-43;
29/81.17
CPC B23K 5/22; B25D 1/00; B25D 1/02;
B25D 2250/075; B25D 2250/105; B25D
2250/361; B25F 1/00
See application file for complete search history.

(56) **References Cited**

U.S. PATENT DOCUMENTS

399,649 A * 3/1889 Brooks B25D 1/00
7/144

(Continued)

Primary Examiner — Philip S Hyder

Assistant Examiner — Roselynn Cody

(74) *Attorney, Agent, or Firm* — Robert C. Montgomery;
Montgomery Patent & Design

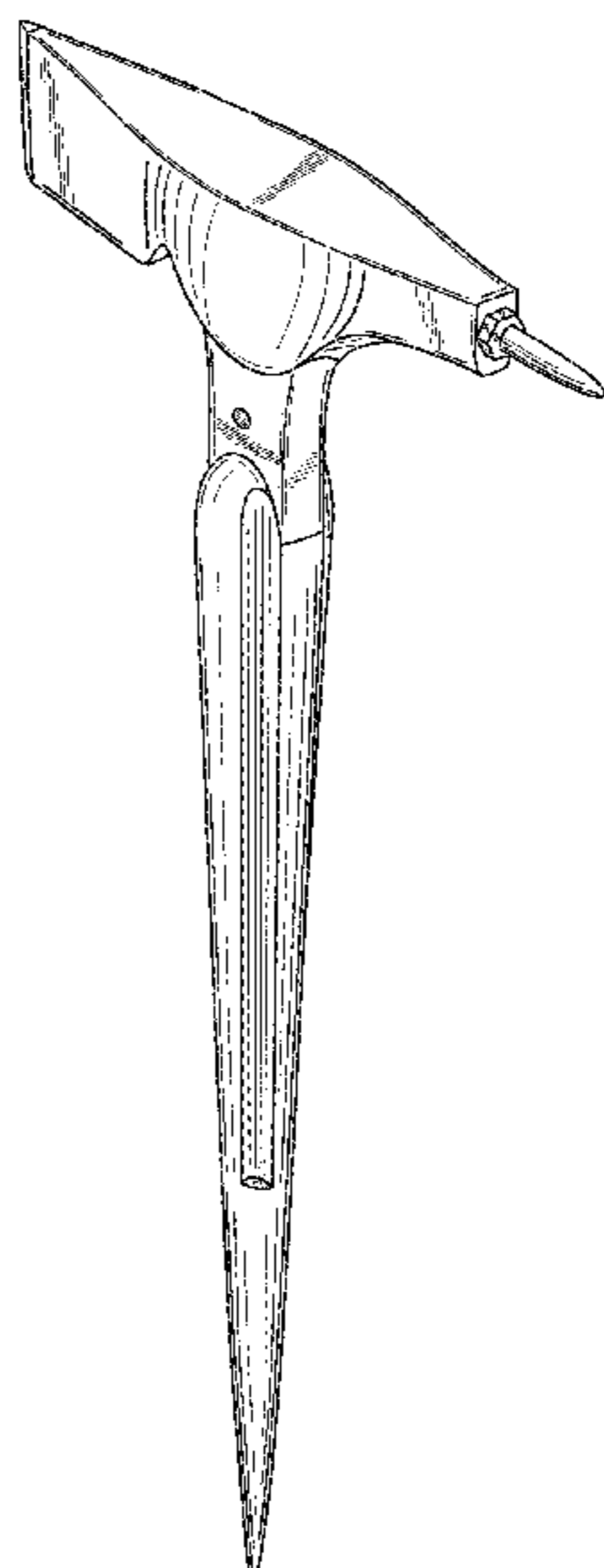
(57) **CLAIM**

The ornamental design for a welding slag hammer, as shown and described.

DESCRIPTION

FIG. 1 is a front left-hand side perspective view of a welding slag hammer showing a hammer portion, a point-chisel portion, and a nut in assemblage;
FIG. 2 is a front left-hand side perspective view of the hammer portion;
FIG. 3 is a front right-hand side perspective view of FIG. 2;
FIG. 4 is a rear right-hand side perspective view of FIG. 2;
FIG. 5 is a rear left-hand side perspective view of FIG. 2;
FIG. 6 is a front view of FIG. 2;
FIG. 7 is a rear view of FIG. 2;
FIG. 8 is a left-hand side view of FIG. 2;
FIG. 9 is a right-hand side view of FIG. 2;
FIG. 10 is a top view of FIG. 2;
FIG. 11 is a bottom view of FIG. 2;
FIG. 12 is an enlarged perspective view of the point-chisel portion and nut in assemblage;
FIG. 13 is an enlarged perspective view of the point-chisel portion;
FIG. 14 is a front view of FIG. 17;
FIG. 15 is a rear view of FIG. 17;
FIG. 16 is a left-hand view of FIG. 17;
FIG. 17 is a right-hand view of FIG. 17;
FIG. 18 is a top view of FIG. 17;
FIG. 19 is a bottom view of FIG. 17;
FIG. 20 is an enlarged top-front perspective view of the nut;
FIG. 21 is a bottom-front perspective view of FIG. 24;
FIG. 22 is a top-rear perspective view of FIG. 24;
FIG. 23 is a bottom-rear perspective view of FIG. 24;
FIG. 24 is a front view of FIG. 24;
FIG. 25 is a rear view of FIG. 24;
FIG. 26 is a left-hand side view of FIG. 24;
FIG. 27 is a right-hand side view of FIG. 24;
FIG. 28 is a top view of FIG. 24; and,
FIG. 29 is a bottom view of FIG. 24.

1 Claim, 22 Drawing Sheets



(56)

References Cited

U.S. PATENT DOCUMENTS

D136,670 S *	11/1943	Leon	D8/81	3,599,255 A *	8/1971	Carroll, Sr.	B25F 1/00 254/26 R
2,337,440 A *	12/1943	Arrowood	B25G 1/01 81/22	3,821,824 A	7/1974	Pilcher		
2,423,189 A	7/1947	Honhart			6,539,824 B2	4/2003	Wedhorn		
D149,901 S *	6/1948	Olsen	57/23	D521,345 S *	5/2006	Hung	D8/76
D212,579 S *	10/1968	Hefner	D8/76	D521,840 S *	5/2006	Hung	D8/76
					D521,841 S *	5/2006	Hung	D8/76
					D549,065 S *	8/2007	Chen	D8/76
					D678,017 S *	3/2013	Muhlenbruch	D32/49

* cited by examiner

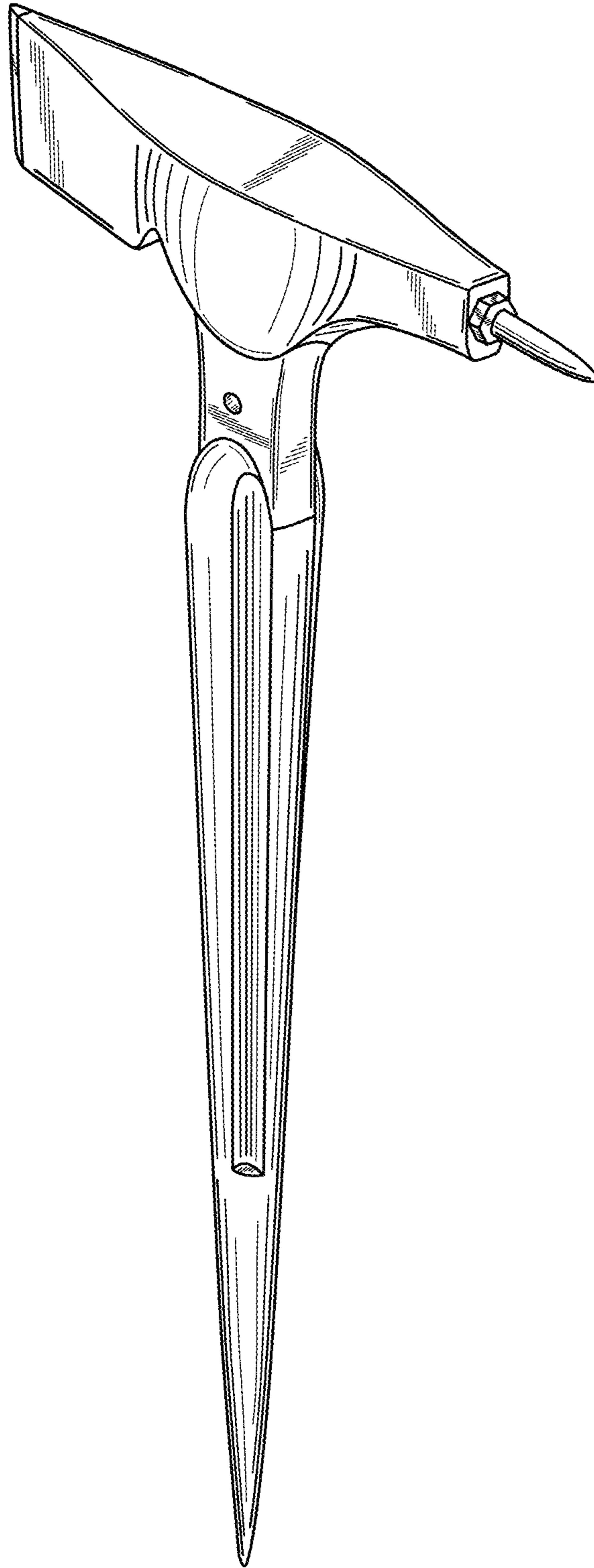


FIG. 1

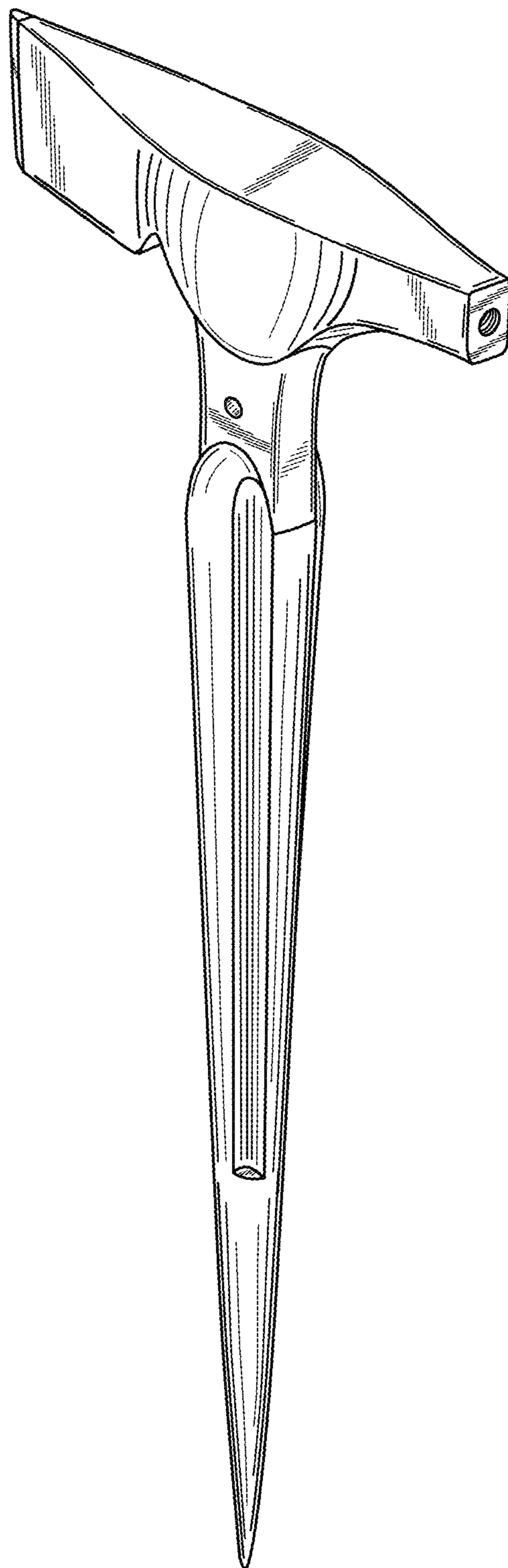


FIG. 2

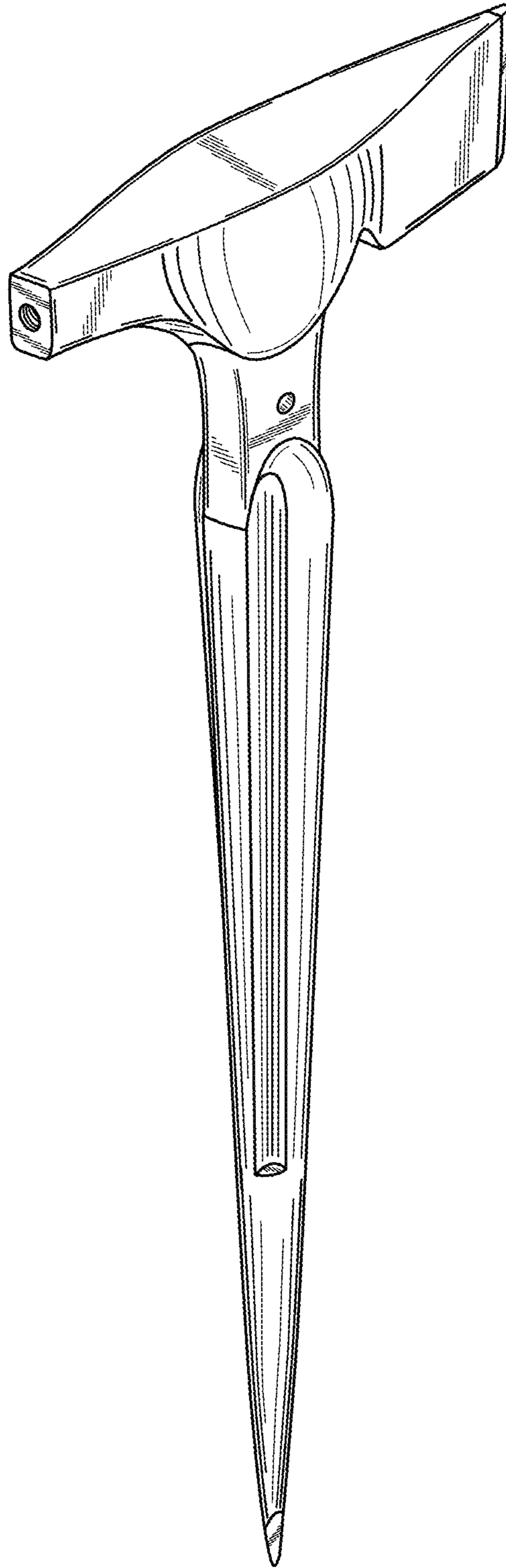


FIG. 3

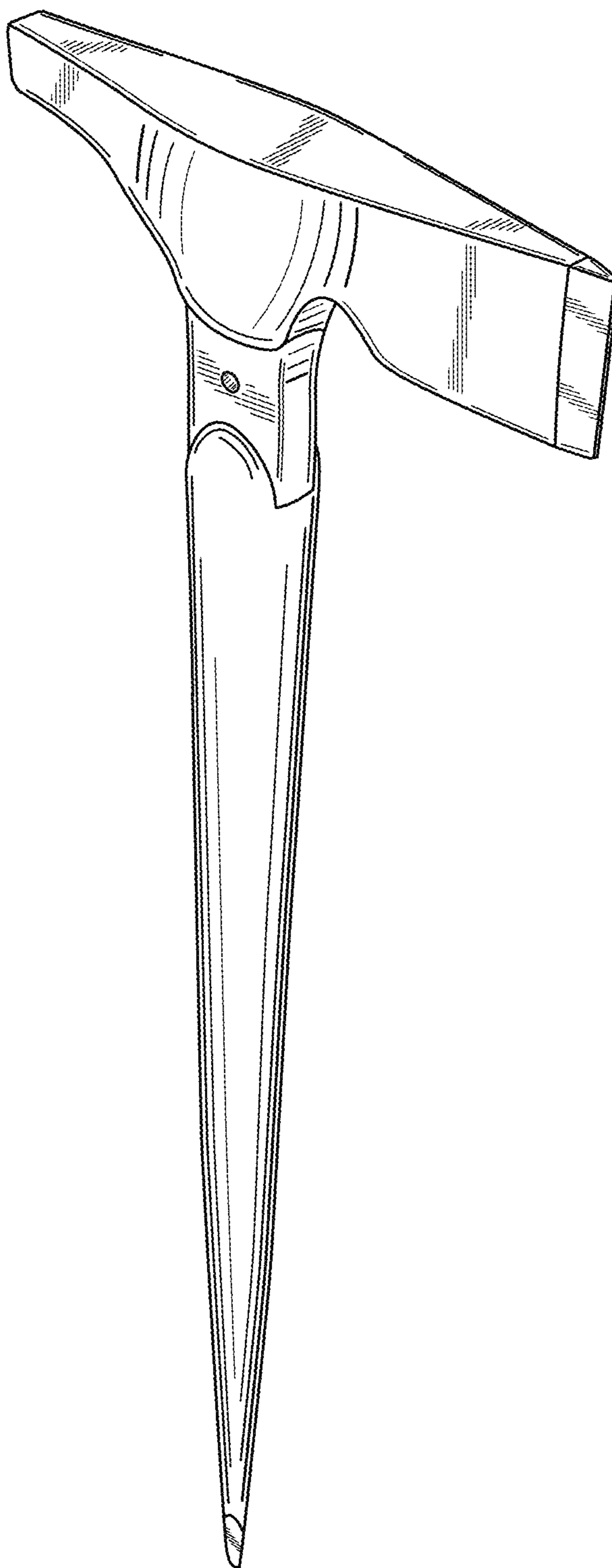


FIG. 4

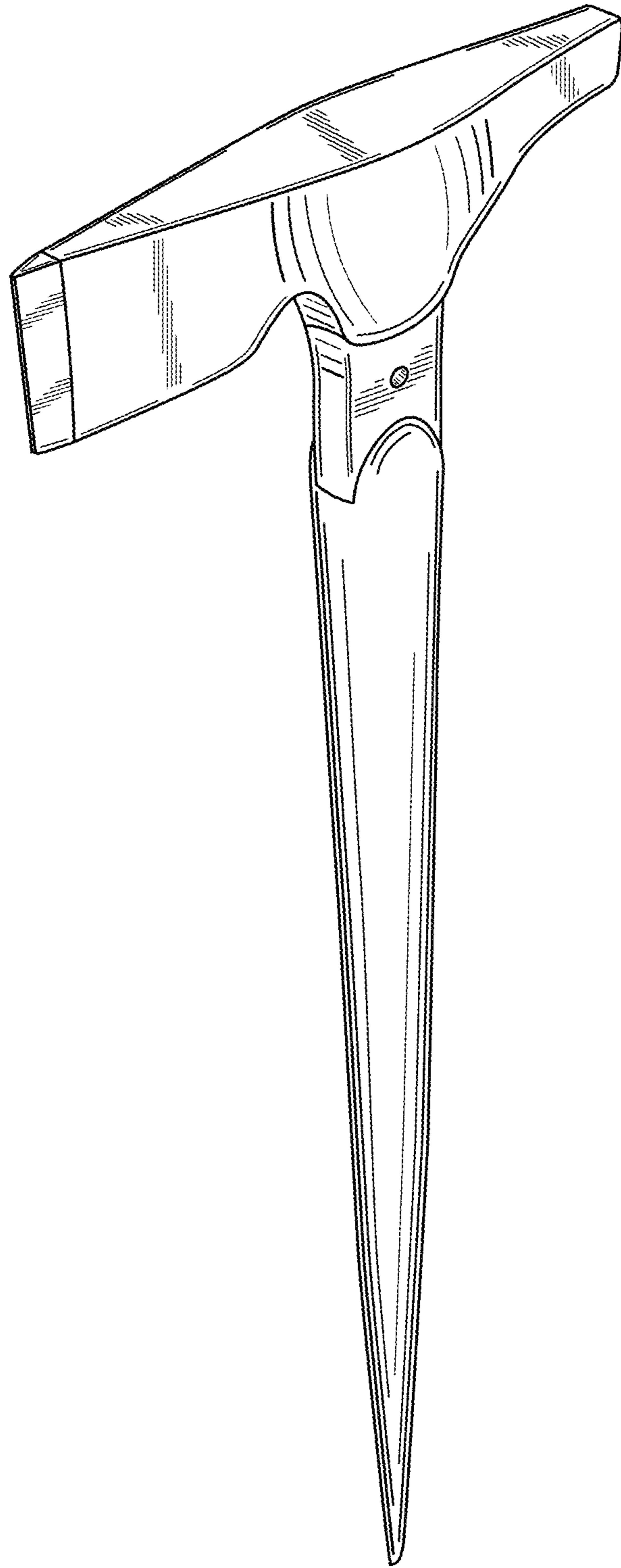


FIG. 5

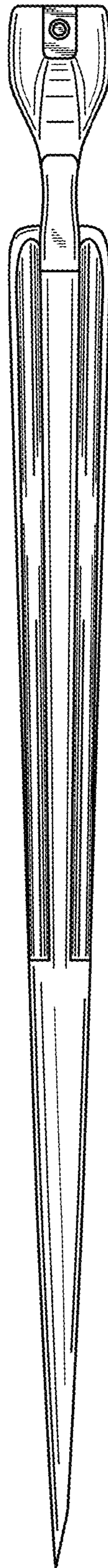


FIG. 6

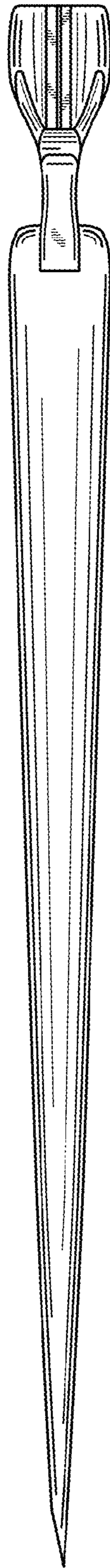


FIG. 7

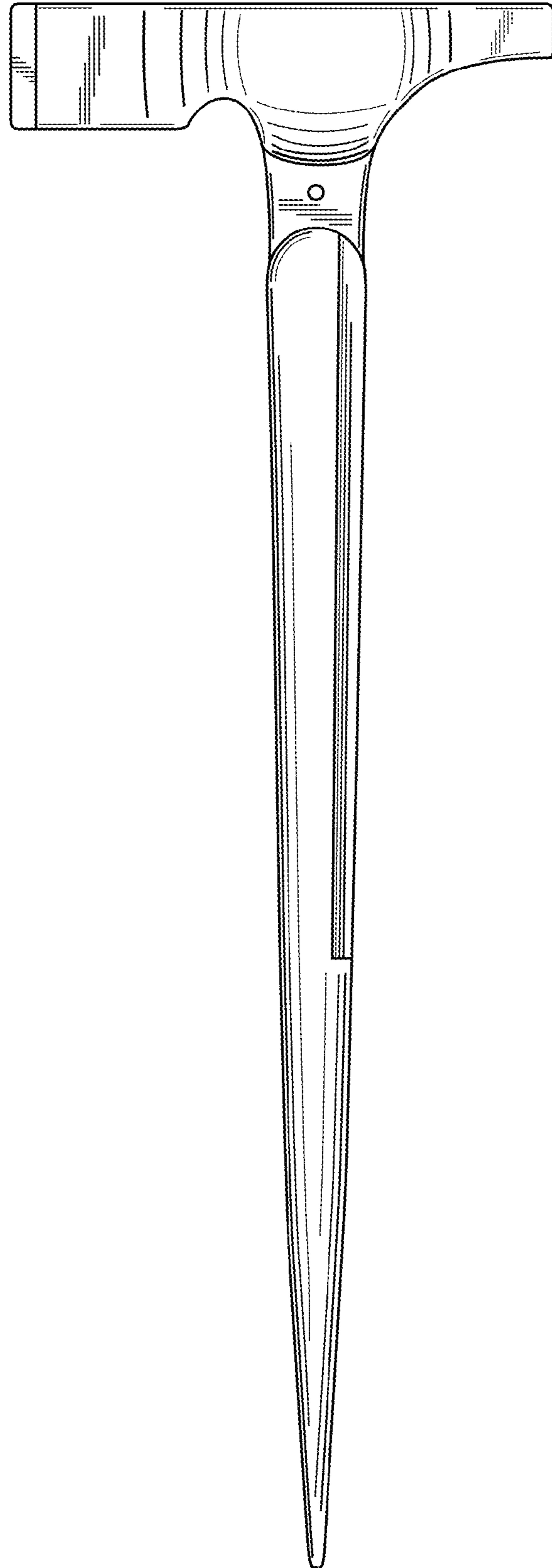


FIG. 8

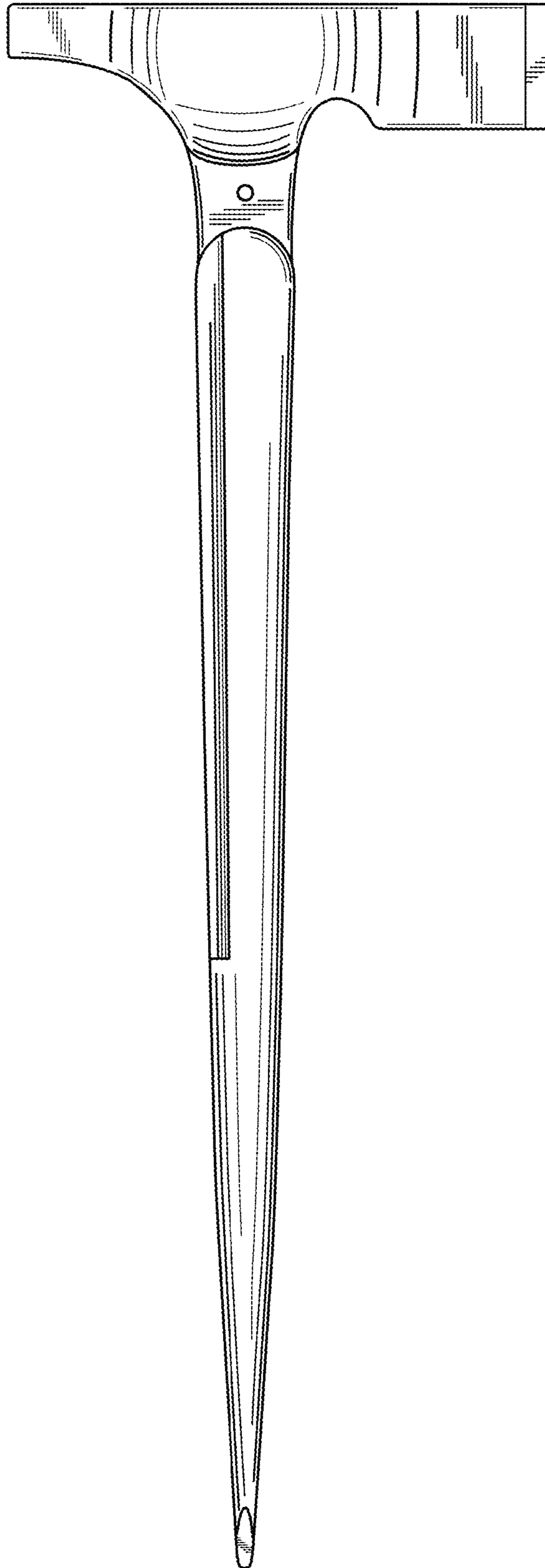


FIG. 9

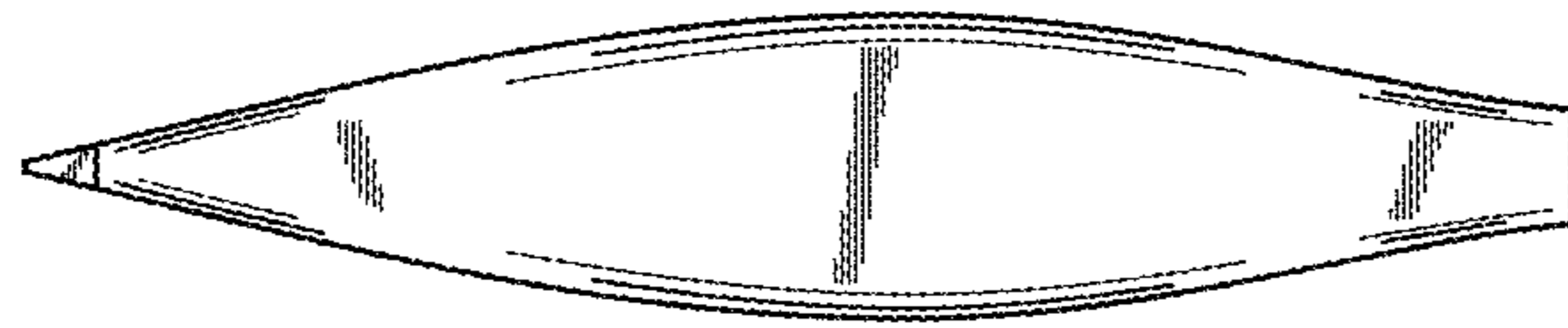


FIG. 10

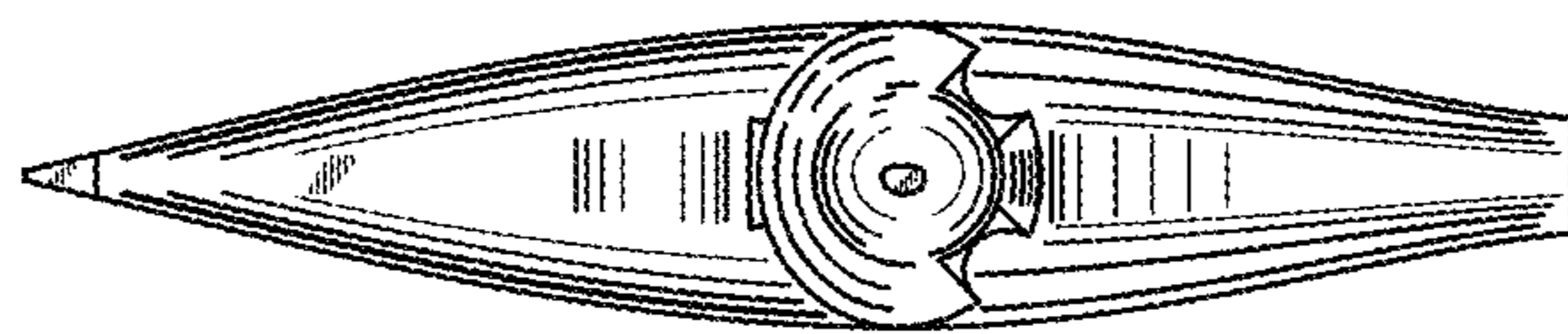


FIG. 11

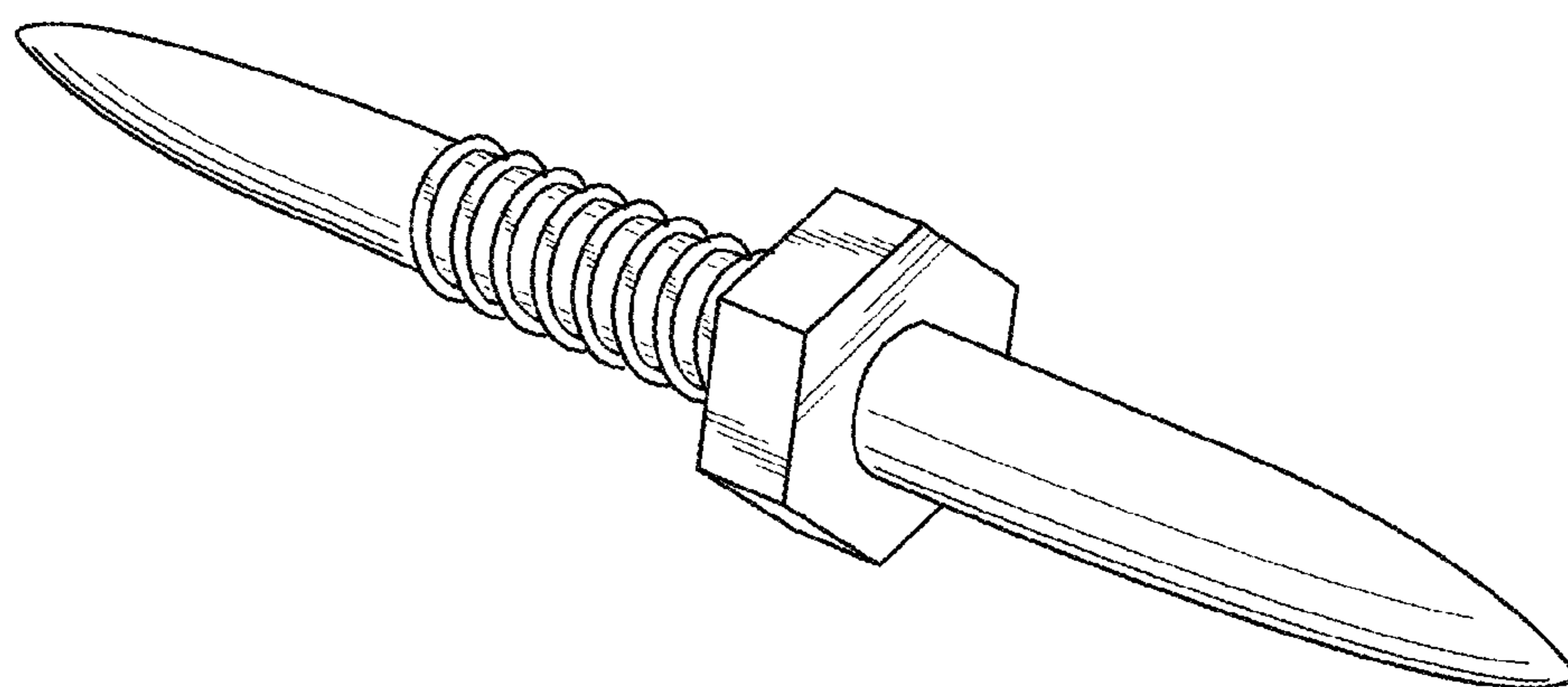


FIG. 12

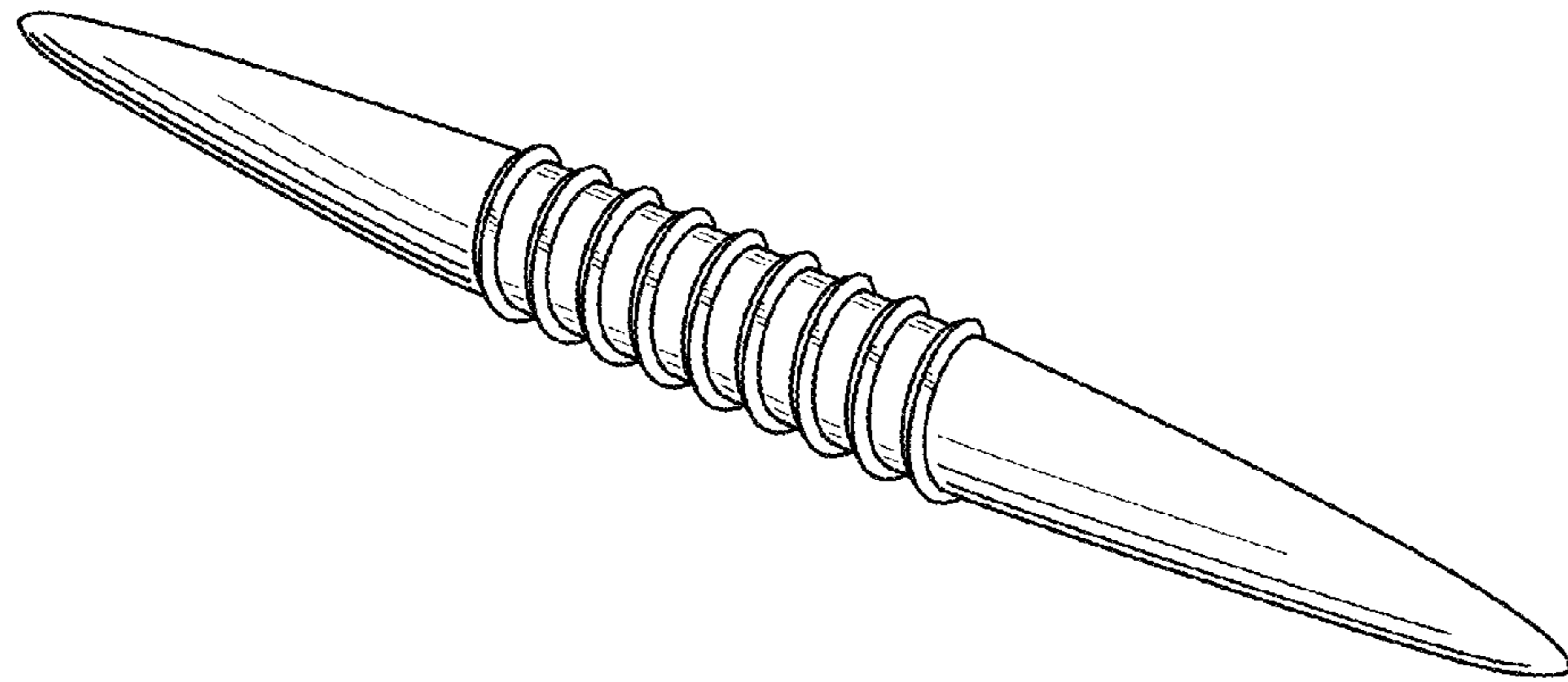


FIG. 13

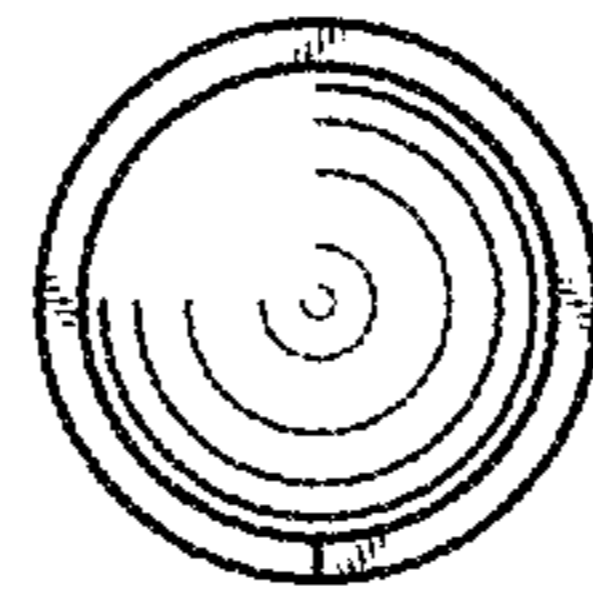


FIG. 14

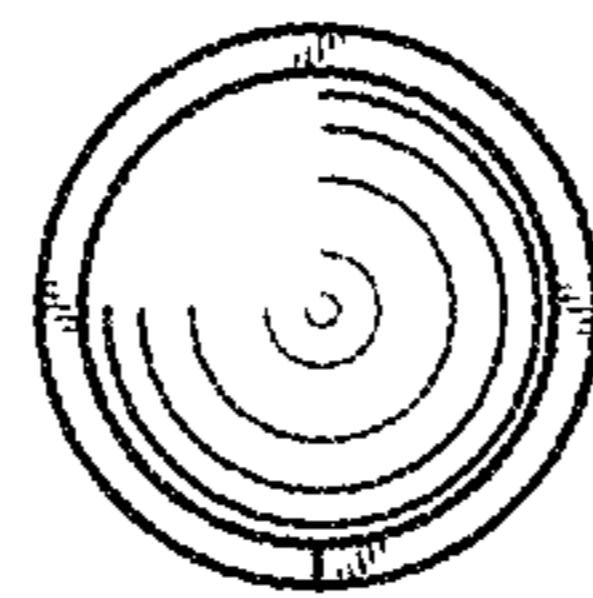


FIG. 15

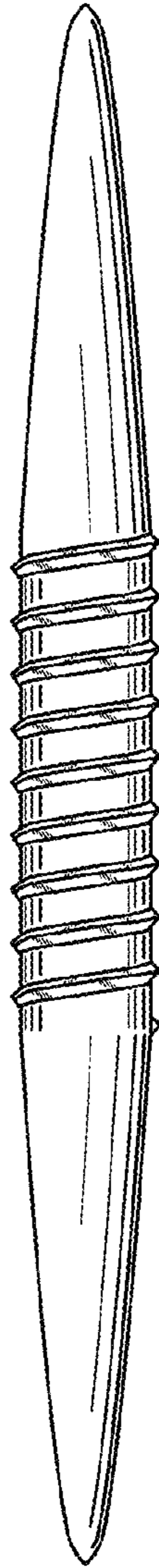


FIG. 16

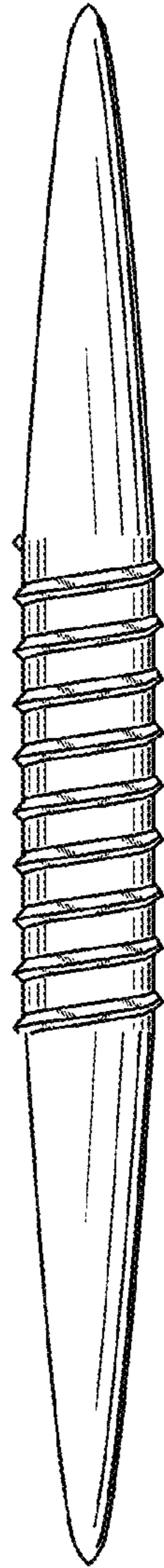


FIG. 17

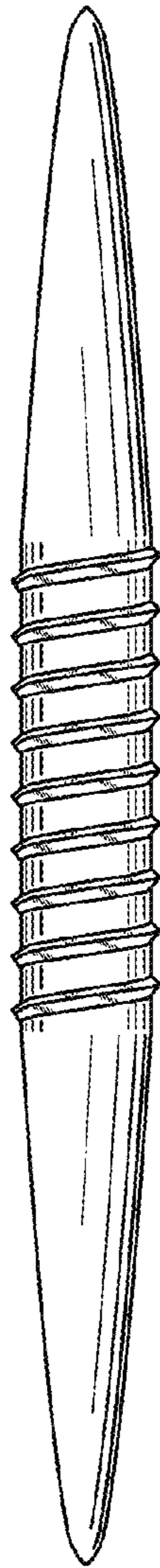


FIG. 18

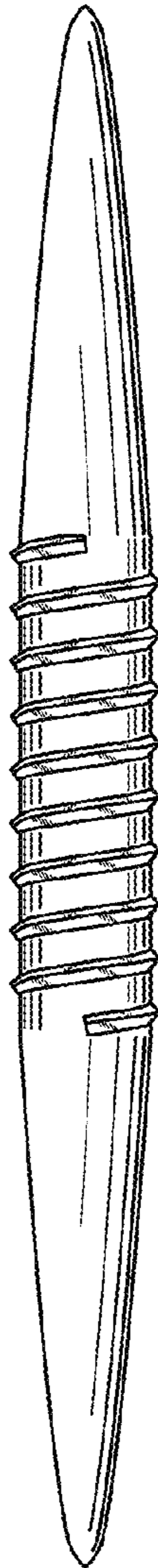


FIG. 19

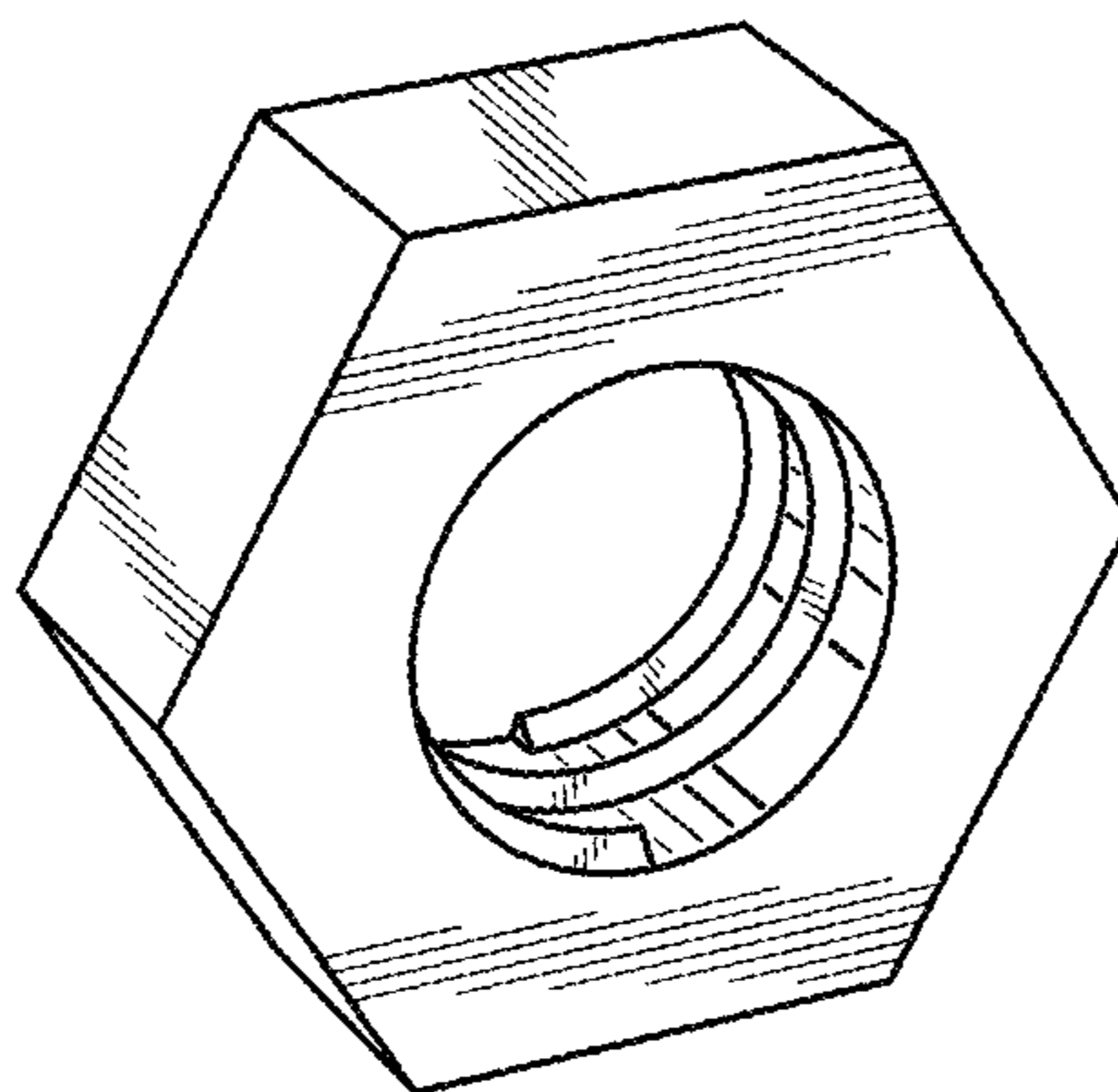


FIG. 20

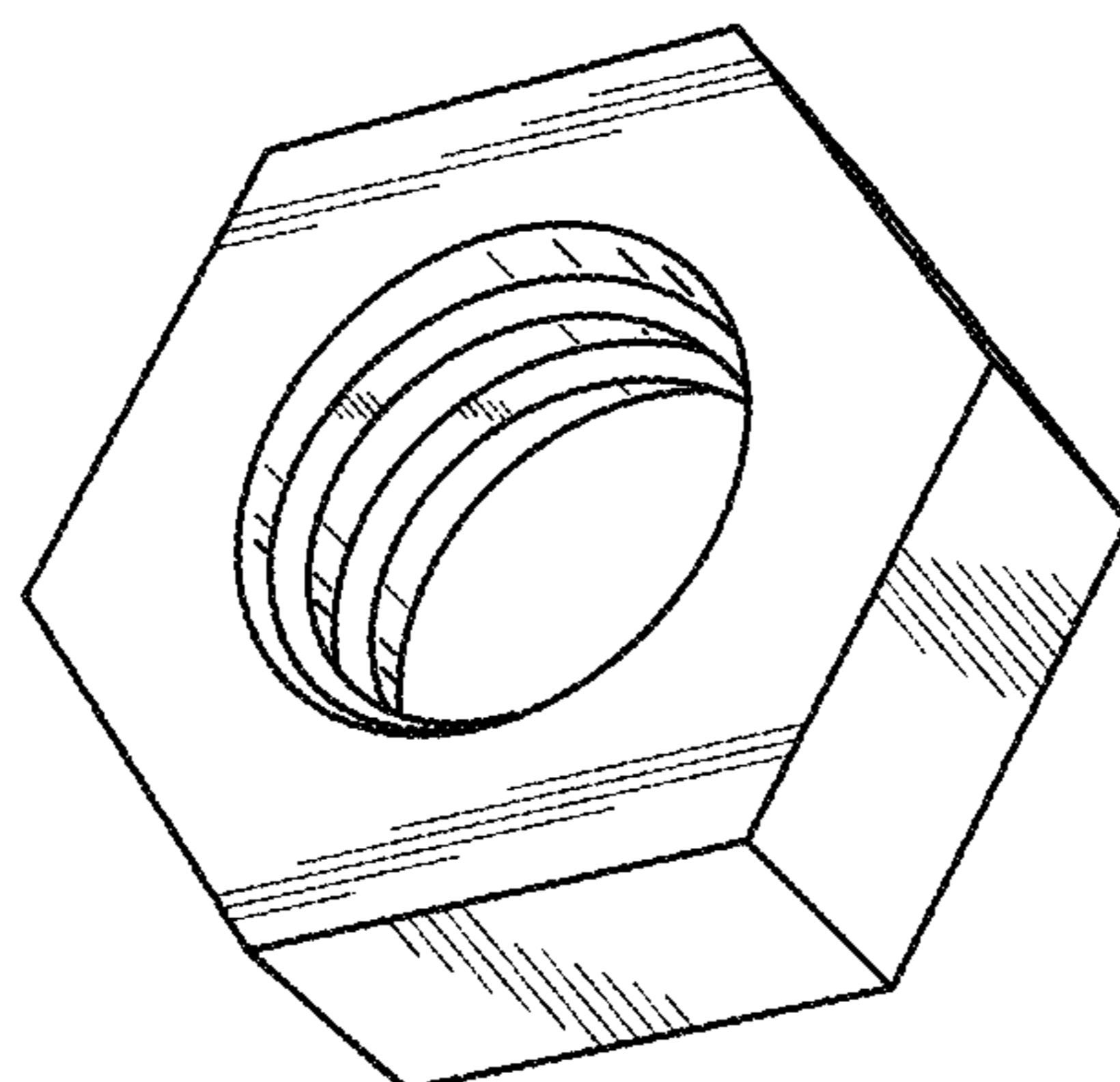


FIG. 21

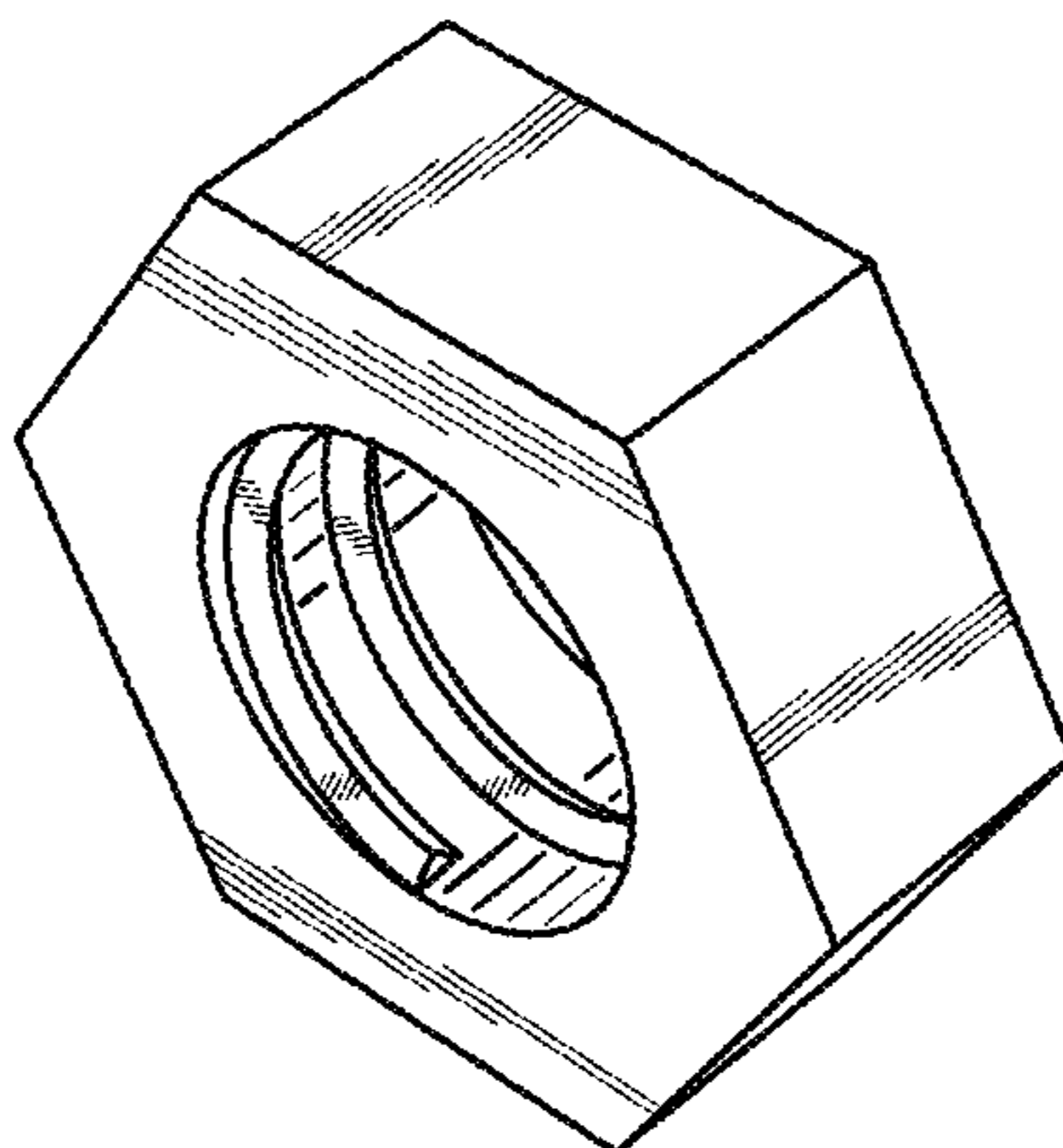


FIG. 22

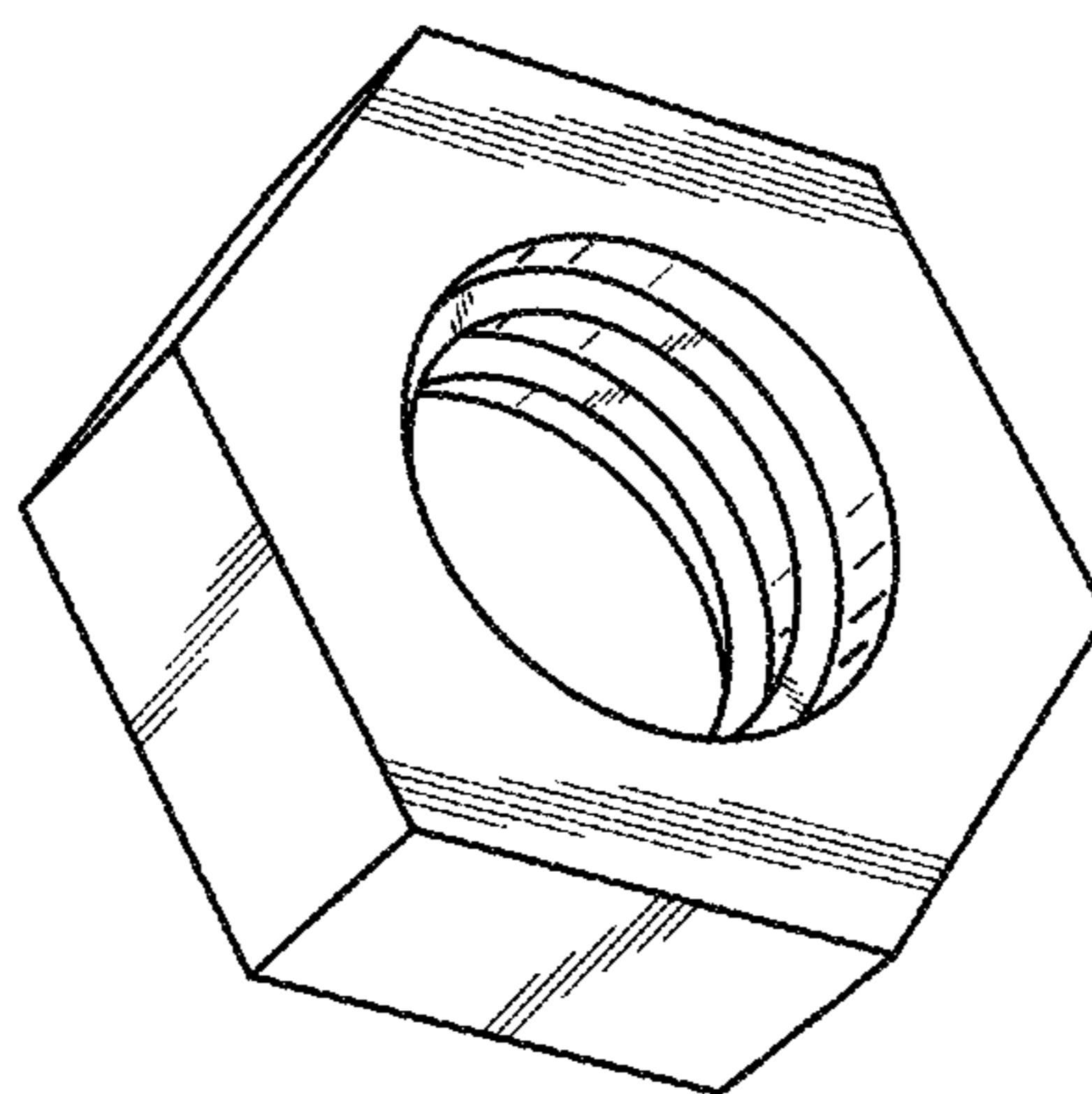


FIG. 23

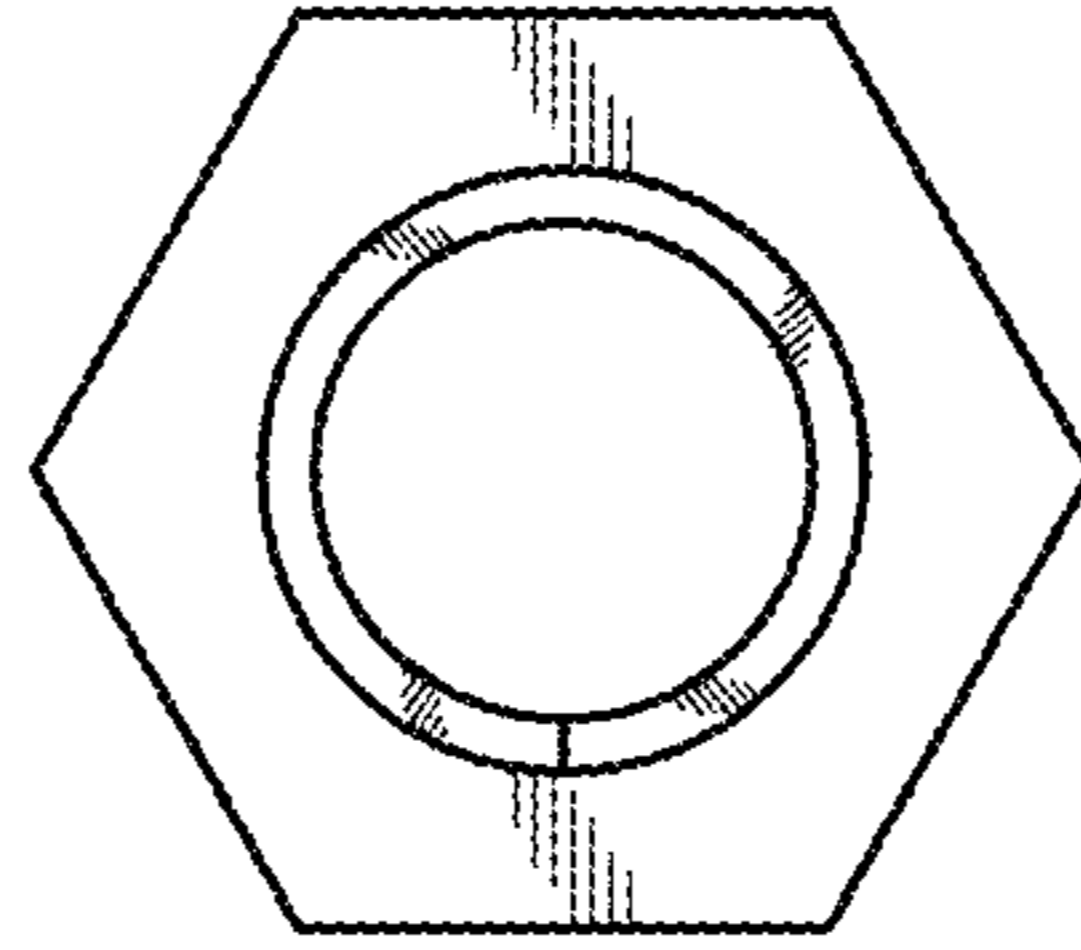


FIG. 24

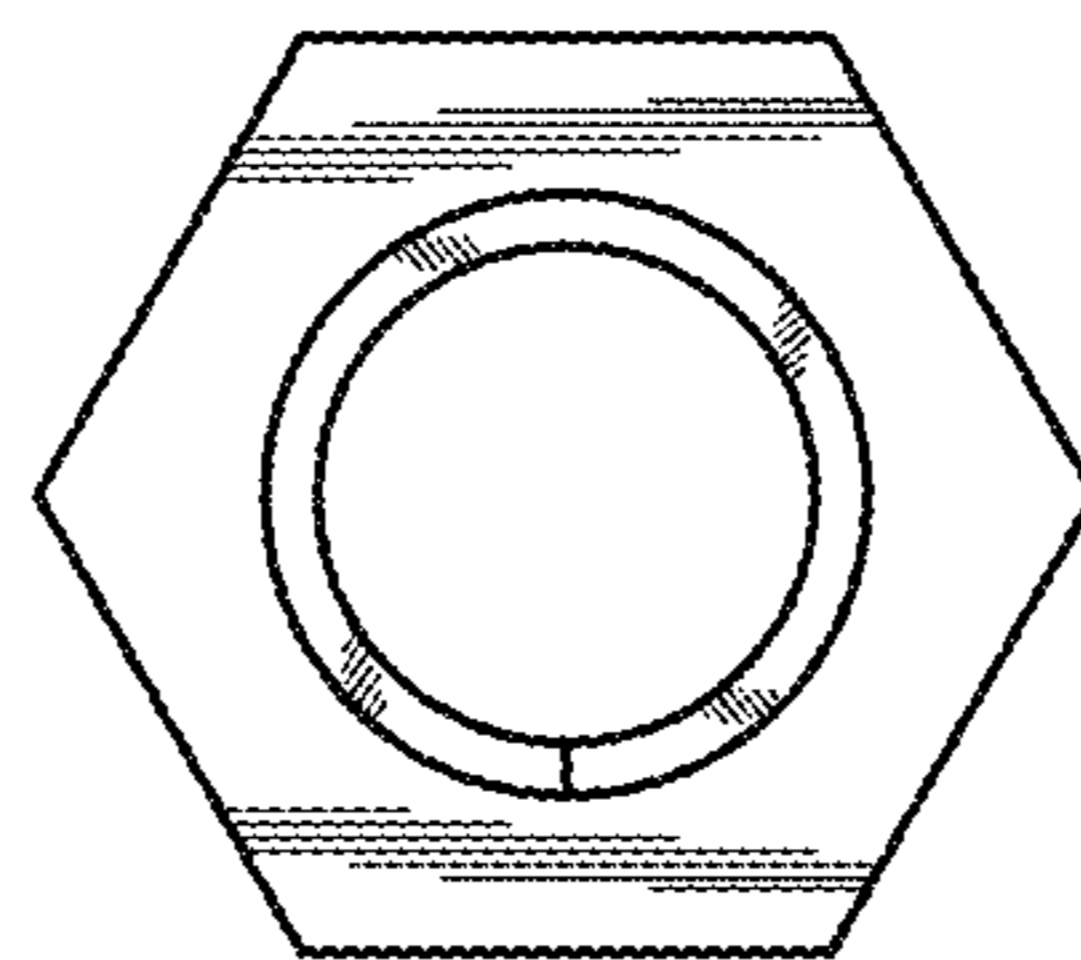


FIG. 25

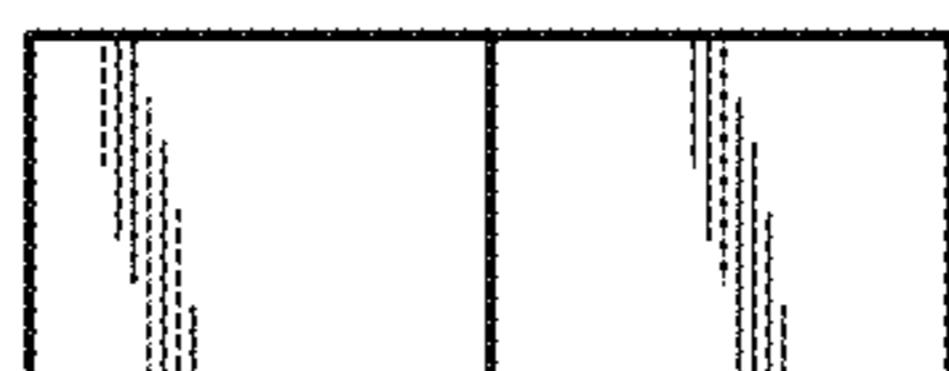


FIG. 26

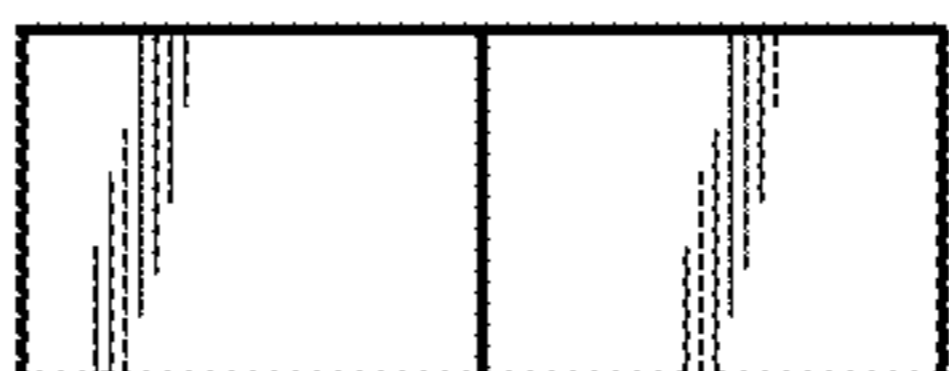


FIG. 27

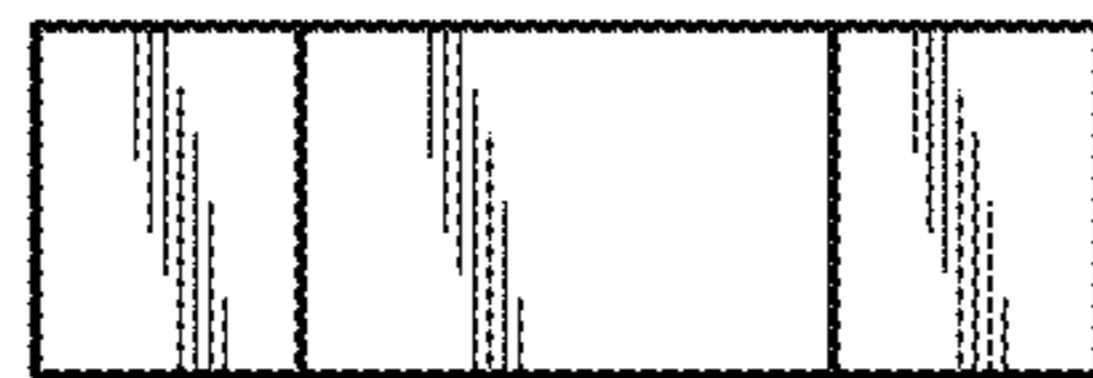


FIG. 28

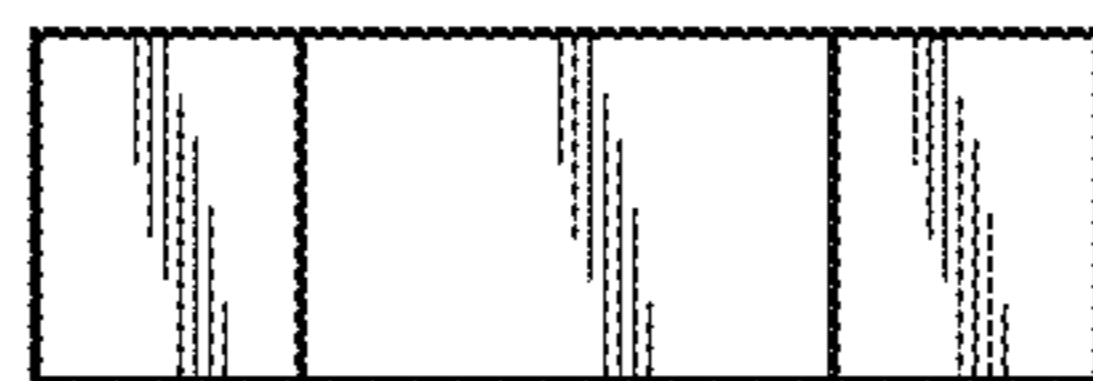


FIG. 29