



US00D760571S

(12) **United States Design Patent**
Zwicker

(10) **Patent No.:** **US D760,571 S**
(45) **Date of Patent:** **** Jul. 5, 2016**

(54) **SANDBLASTING GUN**
(71) Applicant: **Robert Zwicker**, Canfield, OH (US)
(72) Inventor: **Robert Zwicker**, Canfield, OH (US)
(**) Term: **14 Years**
(21) Appl. No.: **29/526,402**
(22) Filed: **May 8, 2015**
(51) **LOC (10) Cl.** **08-03**
(52) **U.S. Cl.**
USPC **D8/68**
(58) **Field of Classification Search**
USPC D8/14.1, 61-70; 81/57.11, 429,
81/454-456, 469, 489; 173/13, 104, 114,
173/168-171, 178, 201, 211, 213, 217;
227/50; 310/8, 113, 114, 120, 130,
310/136, 142; 408/20, 124, 125, 234,
408/241 R; 451/190, 358
CPC B25C 5/02; B25C 1/143
See application file for complete search history.

7,270,593 B2 * 9/2007 Klein, II B24C 1/086
451/38
D559,646 S * 1/2008 Chen D8/68
7,341,504 B1 * 3/2008 Chen B24C 5/02
239/375
D591,129 S * 4/2009 Rane D8/68
D608,176 S * 1/2010 Heidelberg D8/68
D619,438 S * 7/2010 Lee D8/68
2008/0041911 A1 * 2/2008 Lee B25C 1/143
227/9
2009/0159634 A1 * 6/2009 Lee B25C 1/143
227/9

* cited by examiner

Primary Examiner — Philip S Snyder
Assistant Examiner — Darlington Ly
(74) *Attorney, Agent, or Firm* — Harpman & Harpman

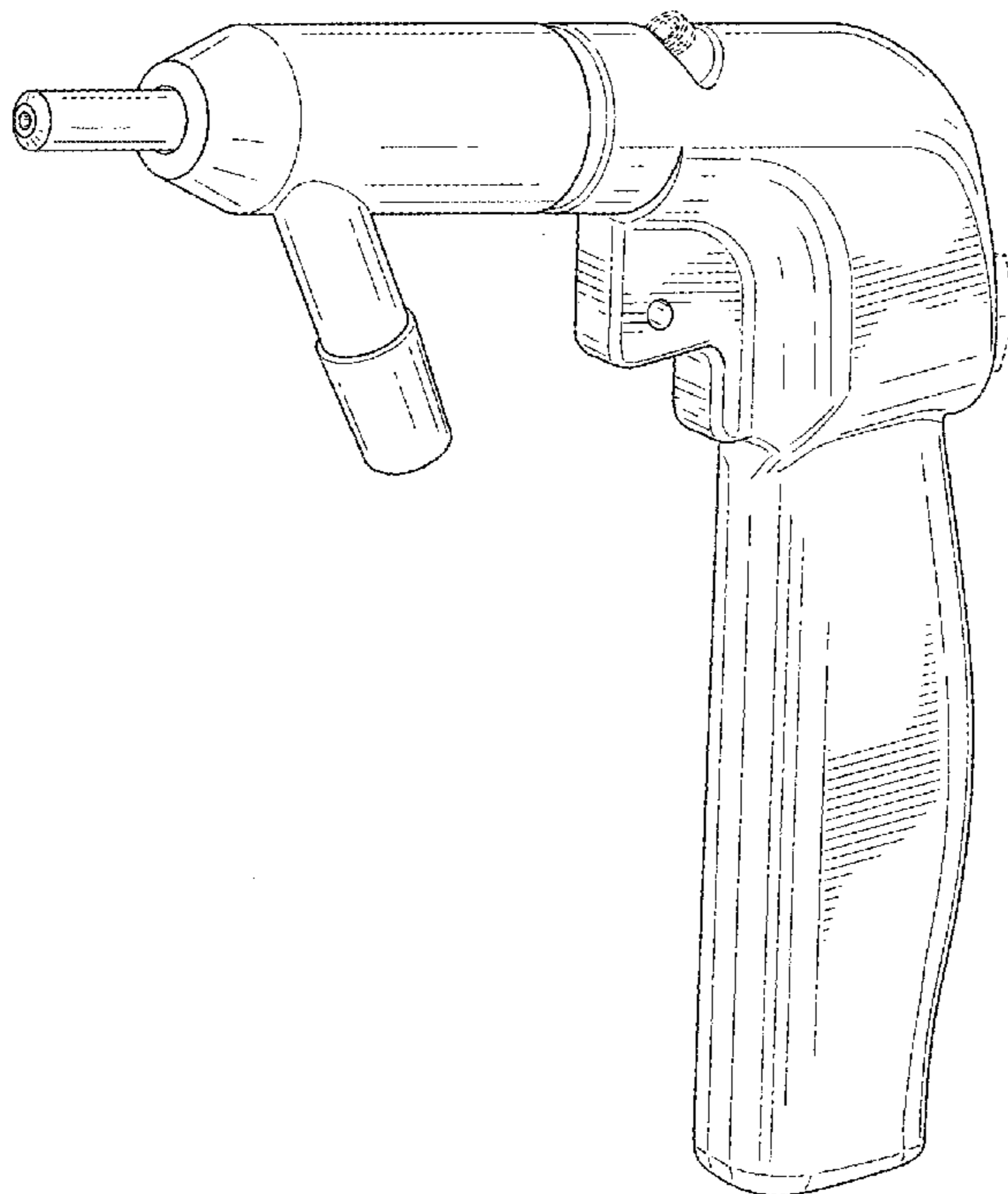
(57) **CLAIM**
The ornamental design for a sandblasting gun, as shown and described.

DESCRIPTION

FIG. 1 is a perspective view of the sandblasting gun showing my new design;
FIG. 2 is a right side elevation view thereof;
FIG. 3 is a left side elevation view thereof;
FIG. 4 is a front elevation view thereof;
FIG. 5 is a rear elevation view thereof;
FIG. 6 is a top plan view thereof; and,
FIG. 7 is a bottom plan view thereof.
The broken lines in the drawings illustrate portions of the sandblasting gun that forms no part of the claimed design.

1 Claim, 5 Drawing Sheets

(56) **References Cited**
U.S. PATENT DOCUMENTS
4,674,239 A * 6/1987 Jodoin B24C 5/02
451/87
4,735,021 A * 4/1988 Smith B24C 7/0046
451/101
D323,607 S * 2/1992 Zwicker D8/68
D446,434 S * 8/2001 Ashbaugh D8/68
6,383,062 B1 * 5/2002 Jou B24C 5/02
239/375



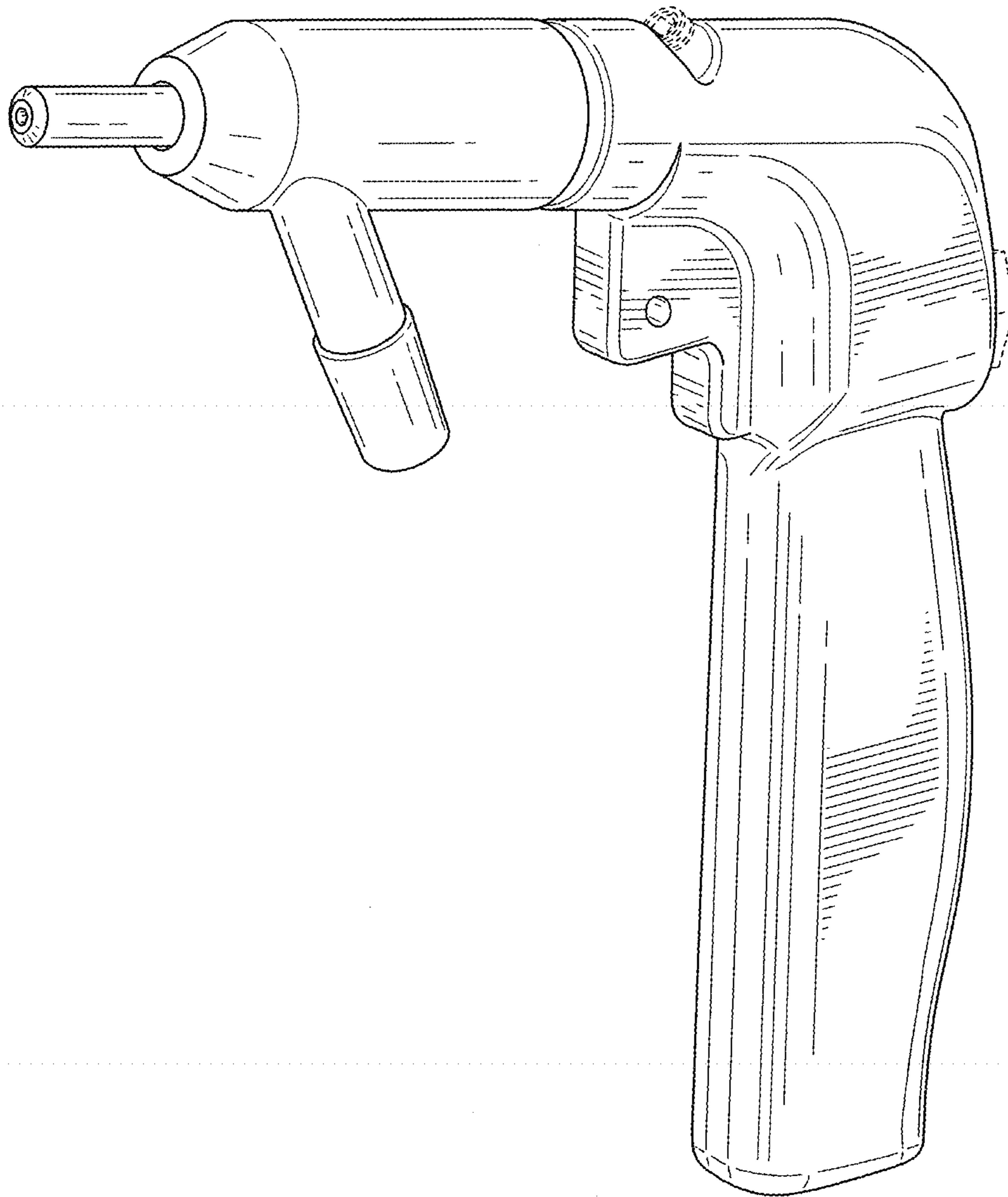


FIG. 1

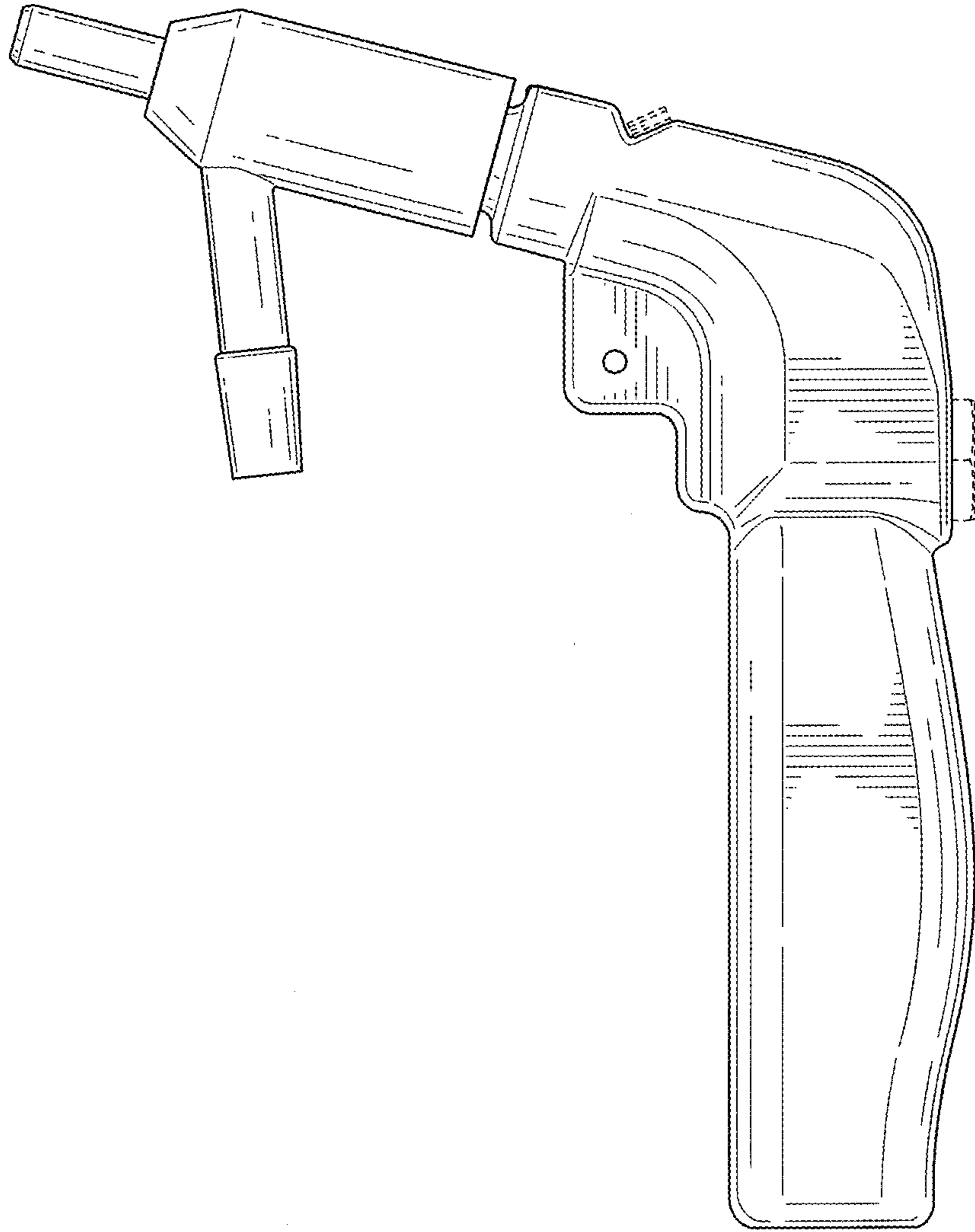


FIG. 2

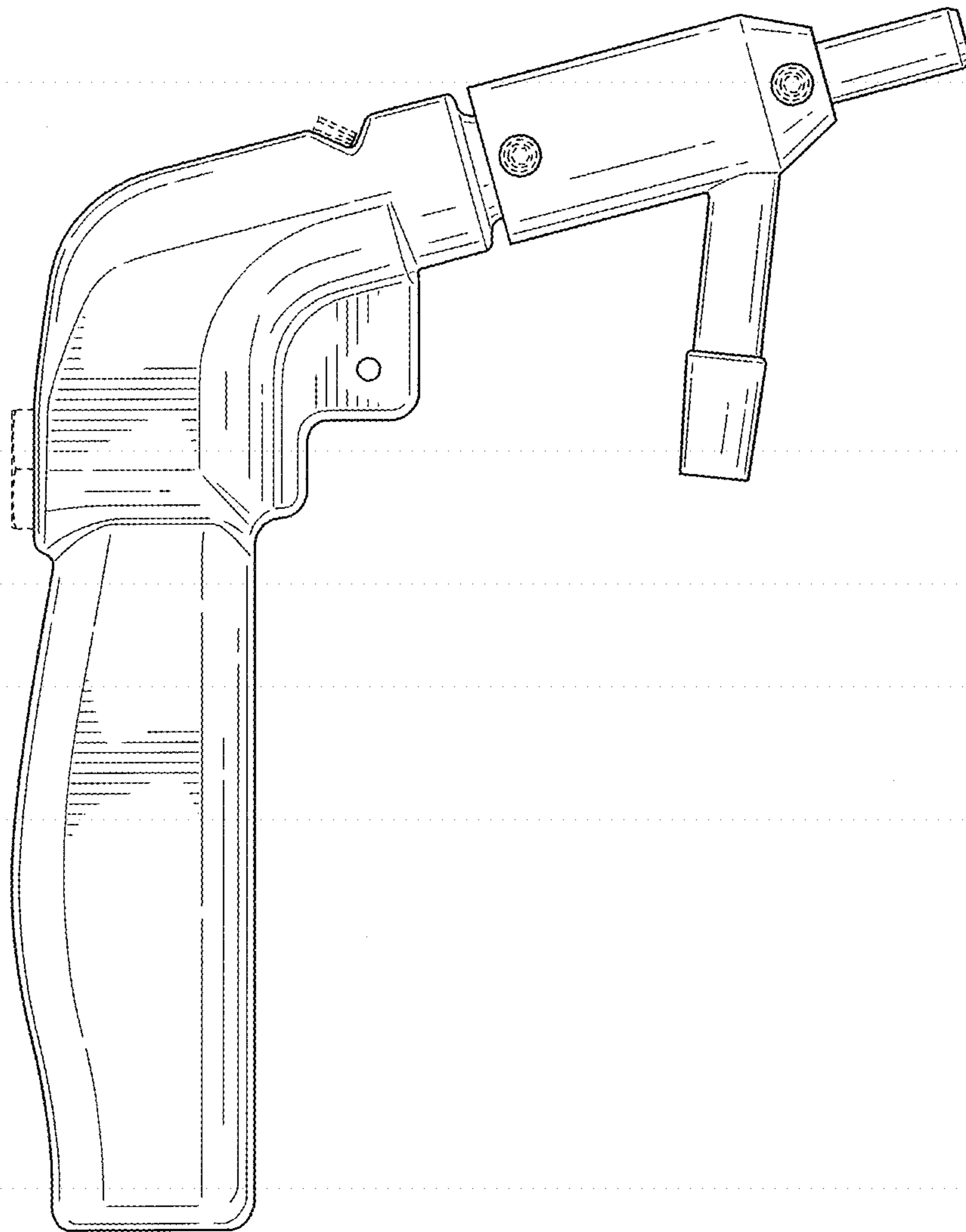


FIG. 3

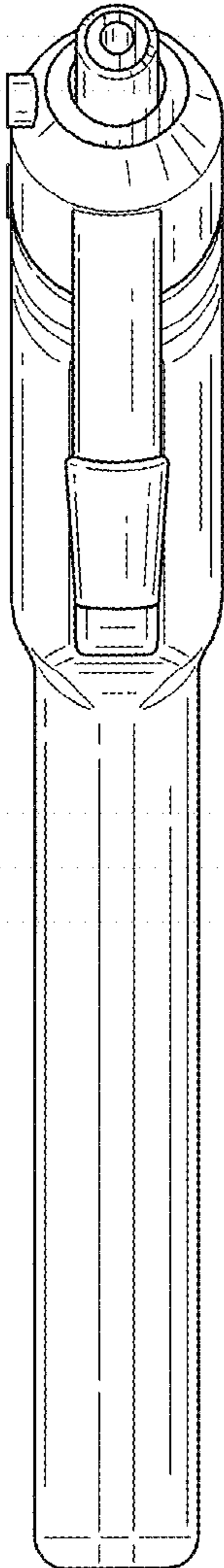


FIG. 4

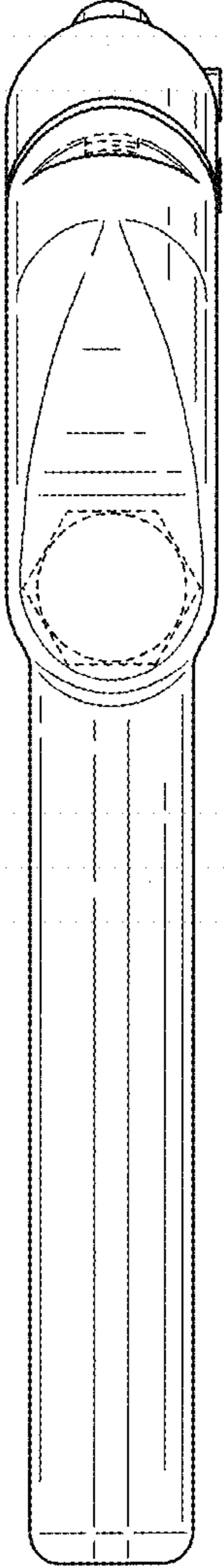


FIG. 5

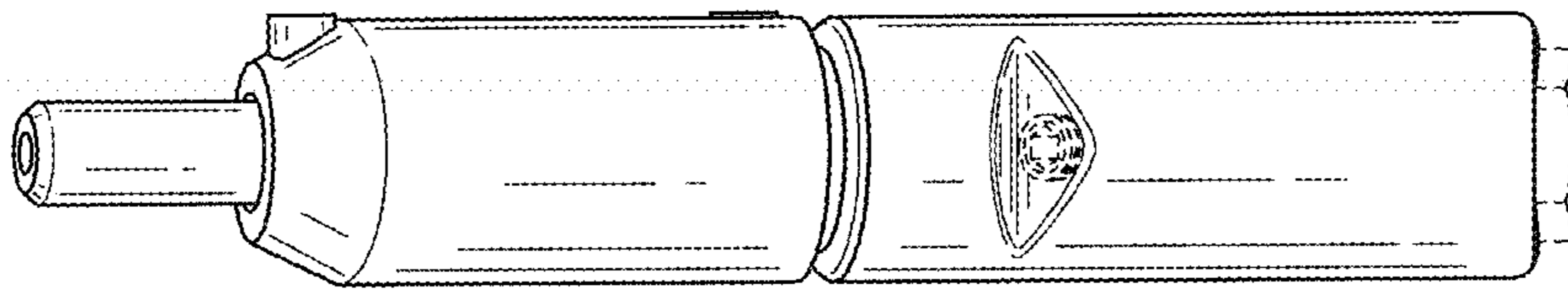


FIG. 6

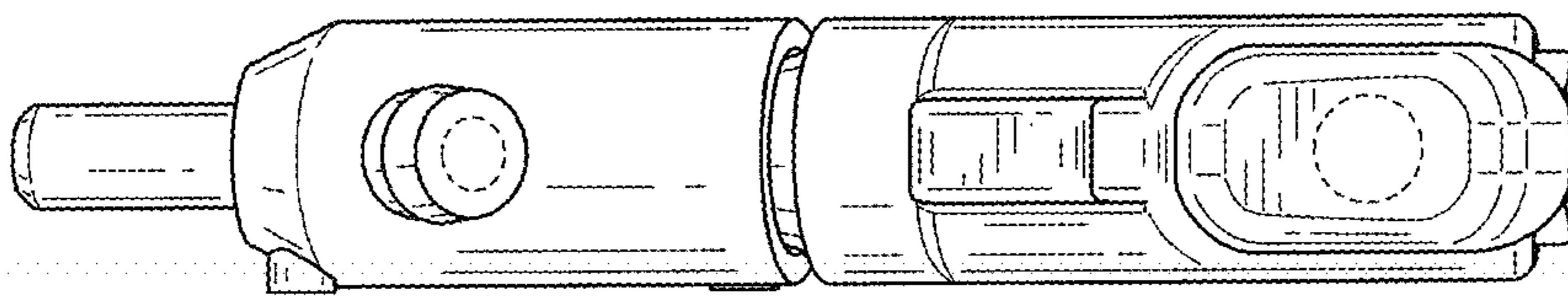


FIG. 7