



US00D760570S

(12) **United States Design Patent**  
**Zwicker**

(10) **Patent No.:** **US D760,570 S**  
(45) **Date of Patent:** **\*\* Jul. 5, 2016**

- (54) **SANDBLASTING GUN WITH TRIGGER**
- (71) Applicant: **Robert Zwicker**, Canfield, OH (US)
- (72) Inventor: **Robert Zwicker**, Canfield, OH (US)
- (\*\*) Term: **14 Years**
- (21) Appl. No.: **29/526,390**
- (22) Filed: **May 8, 2015**
- (51) **LOC (10) Cl.** ..... **08-03**
- (52) **U.S. Cl.**  
USPC ..... **D8/68**
- (58) **Field of Classification Search**  
USPC ..... D8/14.1, 61-70; 81/57.11, 429,  
81/454-456, 469, 489; 173/13, 104, 114,  
173/168-171, 178, 201, 211, 213, 217;  
227/50; 310/8, 113, 114, 120, 130,  
310/136, 142; 408/20, 124, 125, 234,  
408/241 R; 451/190, 358  
CPC ..... B25C 5/02; B25C 1/143  
See application file for complete search history.

7,270,593 B2 *	9/2007	Klein, II	.....	B24C 1/086 451/38
D559,646 S *	1/2008	Chen	.....	D8/68
7,341,504 B1 *	3/2008	Chen	.....	B24C 5/02 239/375
D591,129 S *	4/2009	Rane	.....	D8/68
D608,176 S *	1/2010	Heidelberger	.....	D8/68
D619,438 S *	7/2010	Lee	.....	D8/68
2008/0041911 A1 *	2/2008	Lee	.....	B25C 1/143 227/9
2009/0159634 A1 *	6/2009	Lee	.....	B25C 1/143 227/9

\* cited by examiner

*Primary Examiner* — Philip S Hyder  
*Assistant Examiner* — Darlington Ly  
(74) *Attorney, Agent, or Firm* — Harpman & Harpman

(57) **CLAIM**  
The ornamental design for a sandblasting gun with trigger, as shown and described.

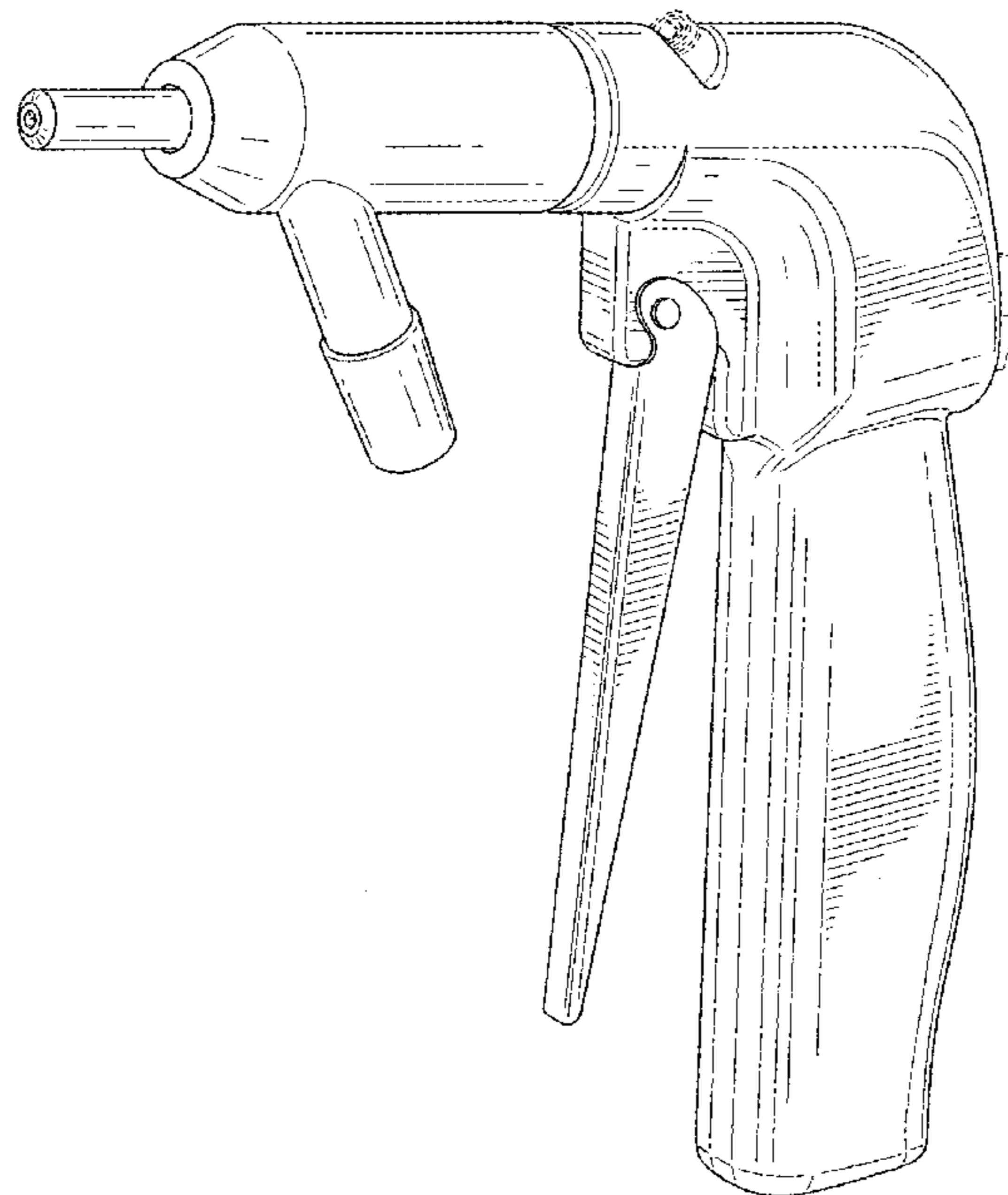
**DESCRIPTION**

FIG. 1 is a perspective view of the sandblasting gun with trigger showing my new design;  
FIG. 2 is a right side elevation view thereof;  
FIG. 3 is a left side elevation view thereof;  
FIG. 4 is a front elevation view thereof;  
FIG. 5 is a rear elevation view thereof;  
FIG. 6 is a top plan view thereof; and,  
FIG. 7 is a bottom plan view thereof.  
The broken lines in the drawings illustrate portions of the sandblasting gun with trigger that forms no part of the claimed design.

**1 Claim, 5 Drawing Sheets**

(56) **References Cited**  
U.S. PATENT DOCUMENTS

4,674,239 A *	6/1987	Jodoin	.....	B24C 5/02 451/87
4,735,021 A *	4/1988	Smith	.....	B24C 7/0046 451/101
D323,607 S *	2/1992	Zwicker	.....	D8/68
D446,434 S *	8/2001	Ashbaugh	.....	D8/68
6,383,062 B1 *	5/2002	Jou	.....	B24C 5/02 239/375



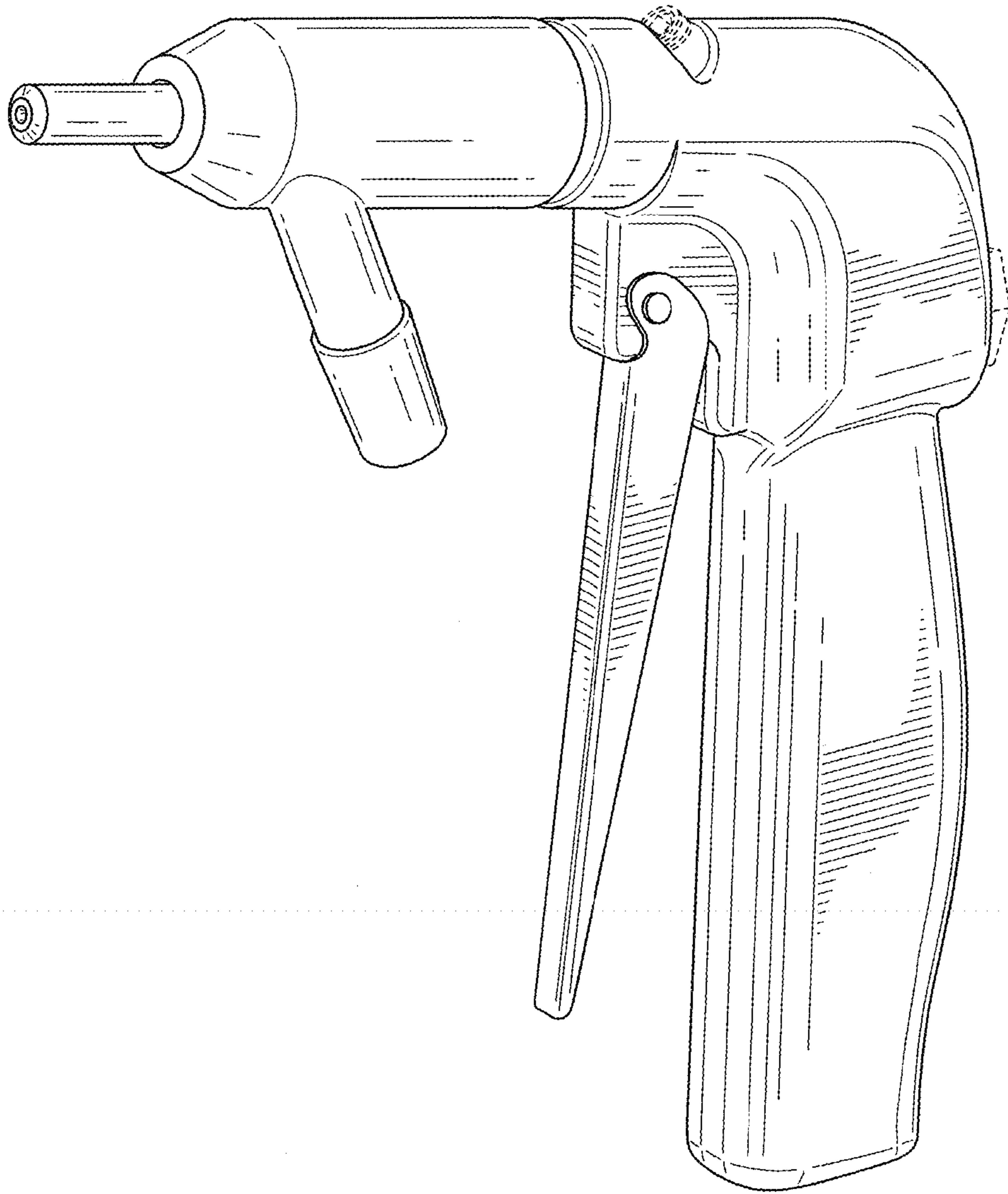


FIG. 1

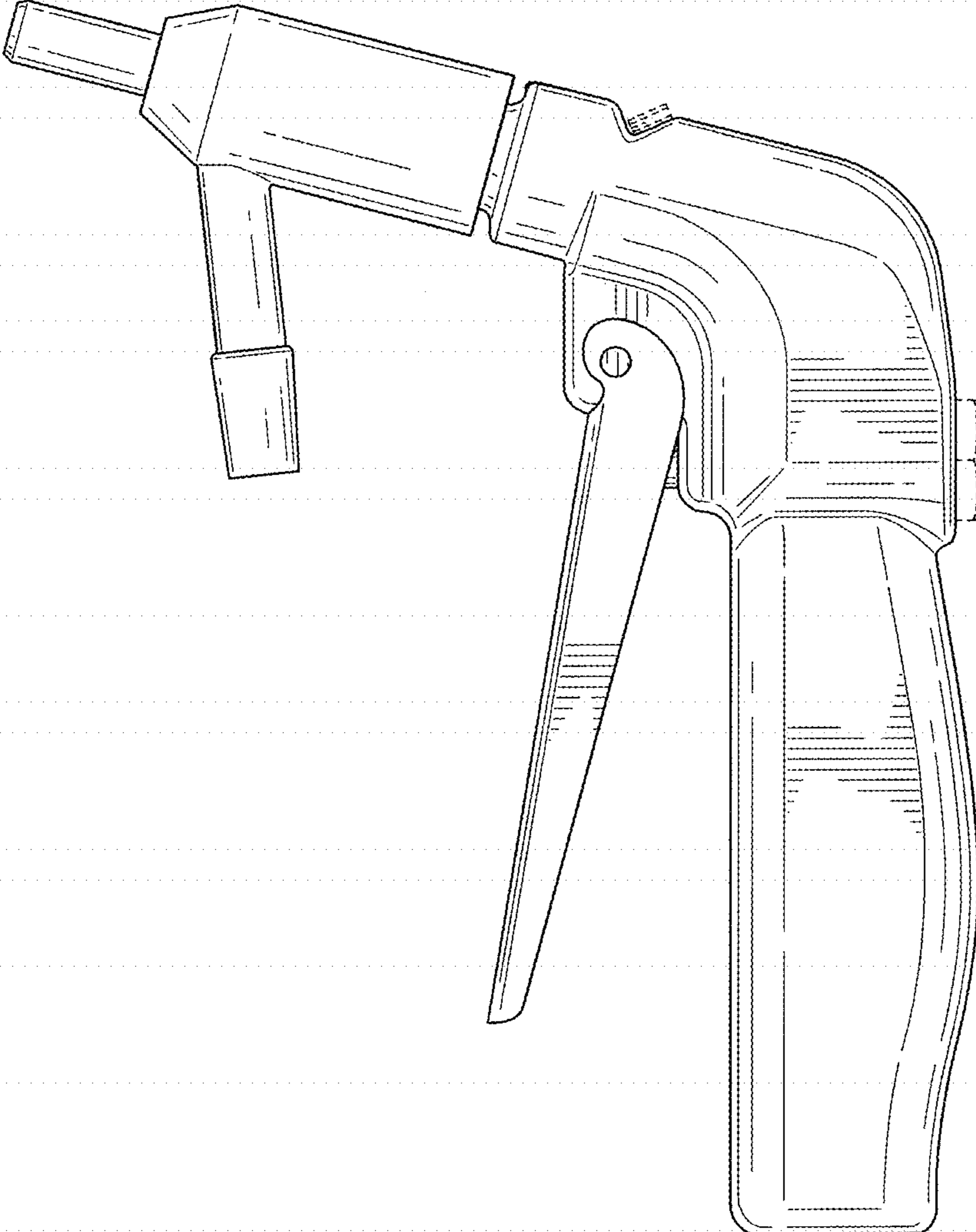


FIG. 2

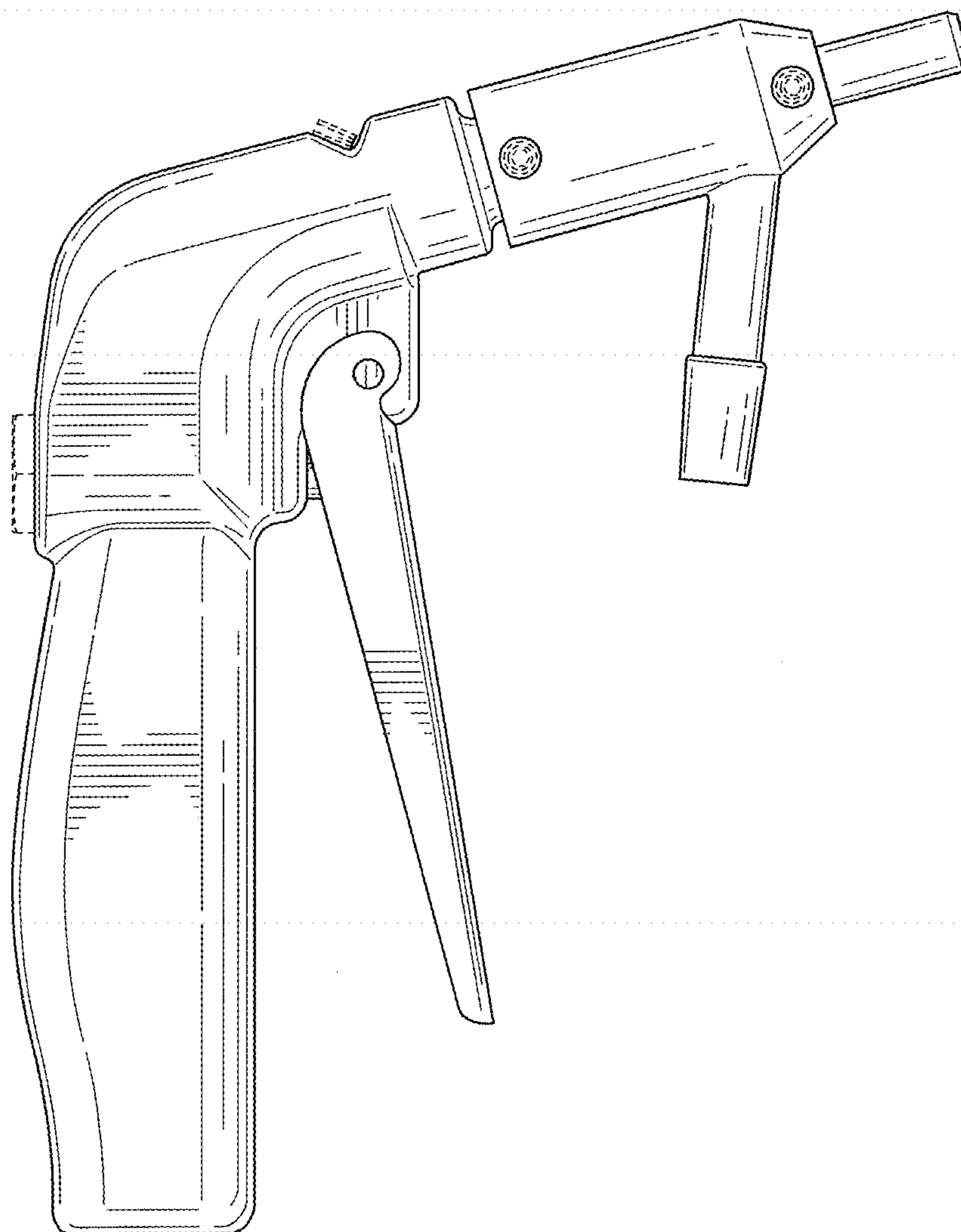


FIG. 3

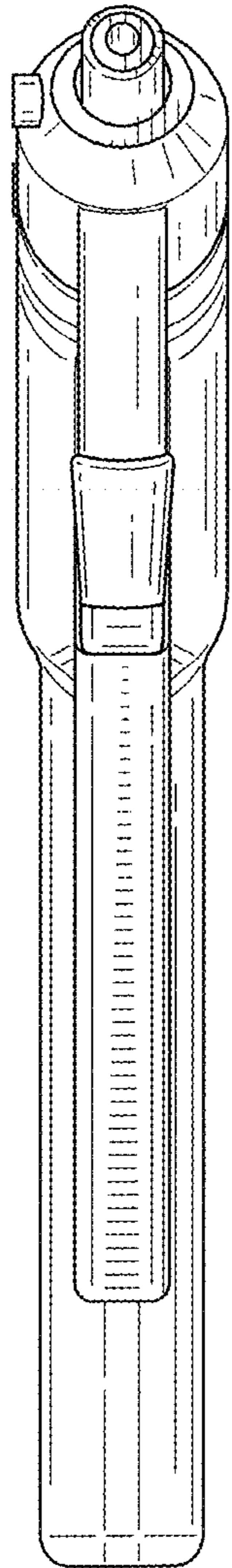


FIG. 4

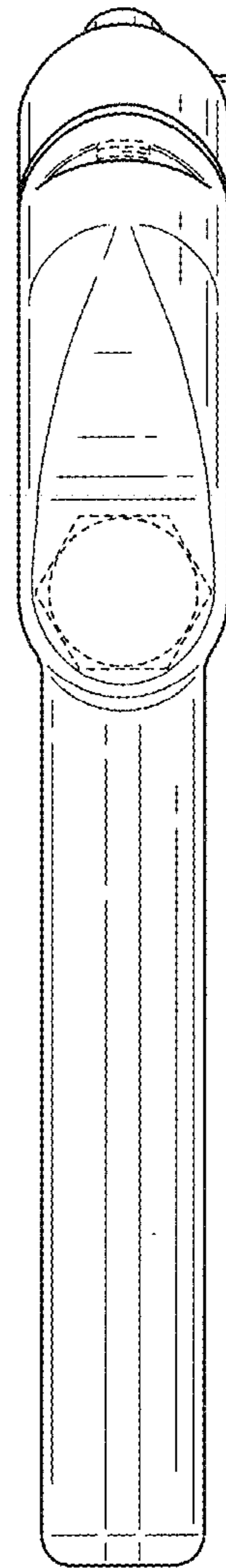


FIG. 5

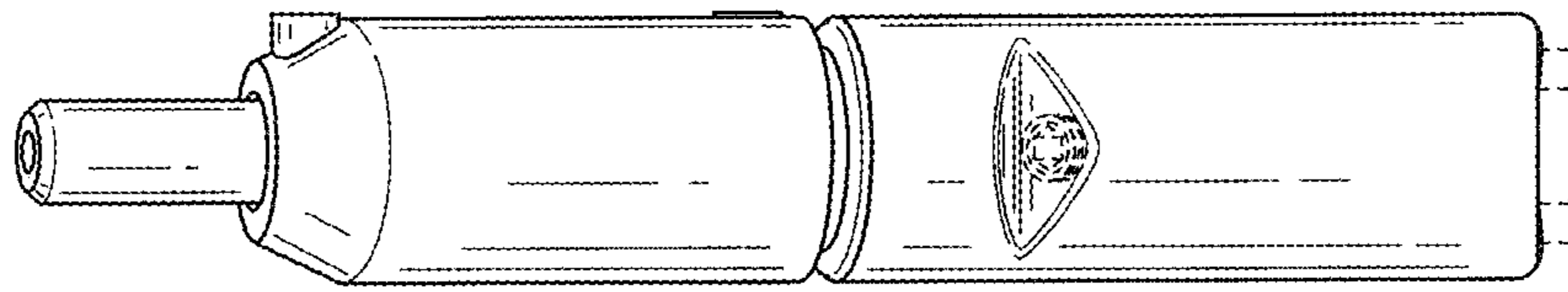


FIG. 6

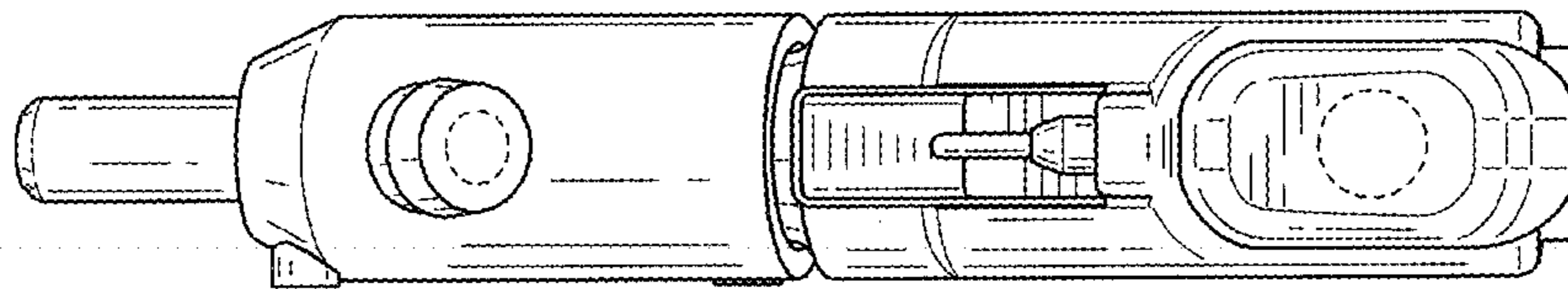


FIG. 7