



US00D760569S

(12) **United States Design Patent**
Zinkosky, II

(10) **Patent No.:** **US D760,569 S**

(45) **Date of Patent:** **** Jul. 5, 2016**

(54) **30-60-90 ANGLE SQUARE**

(71) Applicant: **Stan Edward Zinkosky, II**, Alta Loma, CA (US)

(72) Inventor: **Stan Edward Zinkosky, II**, Alta Loma, CA (US)

(**) Term: **14 Years**

(21) Appl. No.: **29/517,335**

(22) Filed: **Feb. 11, 2015**

(51) **LOC (10) CL.** **10-04**

(52) **U.S. CL.**
USPC **D8/65**

(58) **Field of Classification Search**
USPC D10/65
CPC B43L 7/0275; G01B 3/566
See application file for complete search history.

(56) **References Cited**

U.S. PATENT DOCUMENTS

704,074 A *	7/1902	Morrell	G01B 3/566 403/93
718,618 A *	1/1903	Gerber	G01B 3/566 33/429
768,324 A *	8/1904	Breul	G01B 3/566 33/429
D462,282 S *	9/2002	Salvagno	D10/65
7,114,264 B1 *	10/2006	Hurley	B25H 7/00 33/423
8,276,285 B1 *	10/2012	Bennett	B43L 1/00 33/429

* cited by examiner

Primary Examiner — Antoine D Davis

(74) *Attorney, Agent, or Firm* — E J Asbury, III, LLC

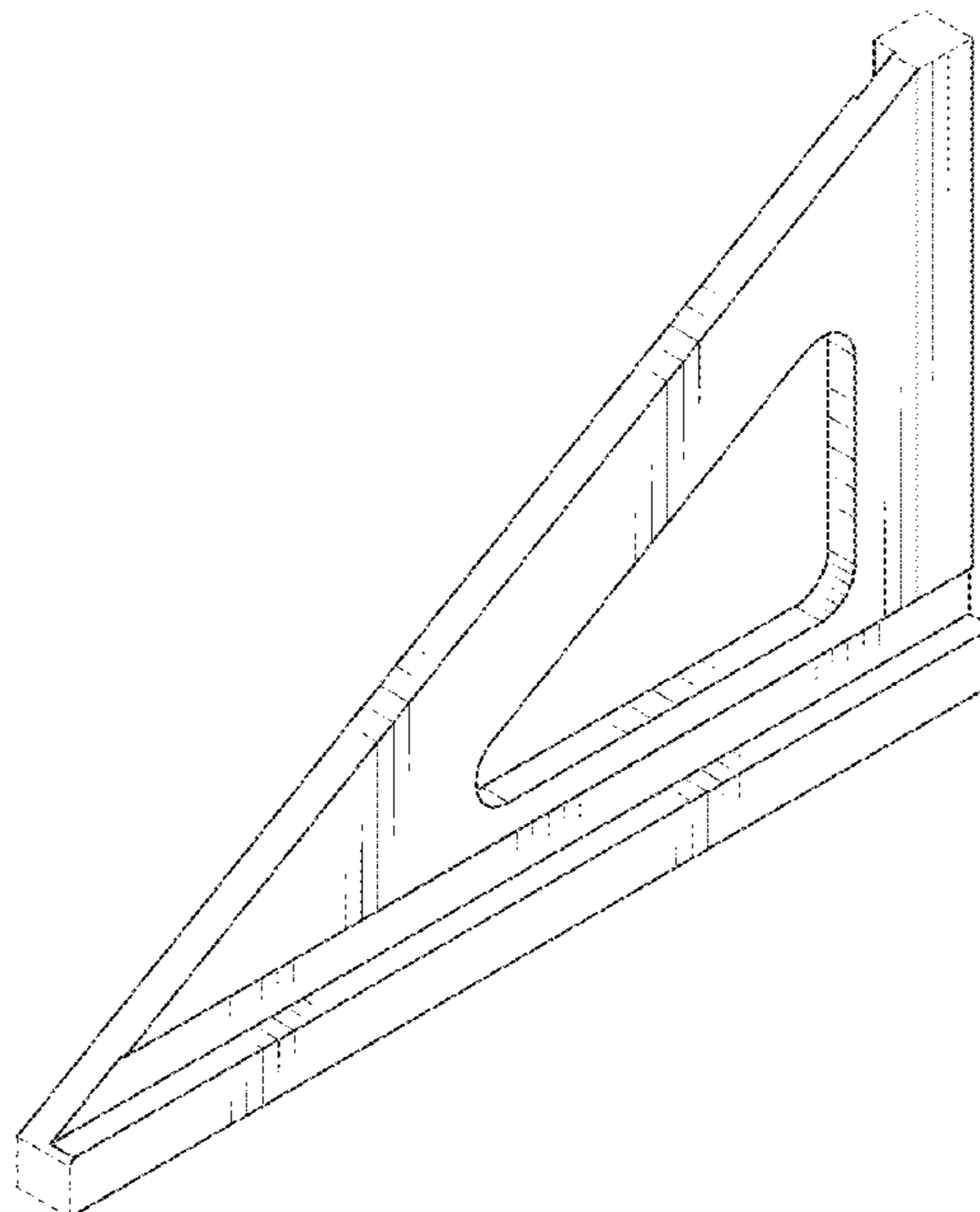
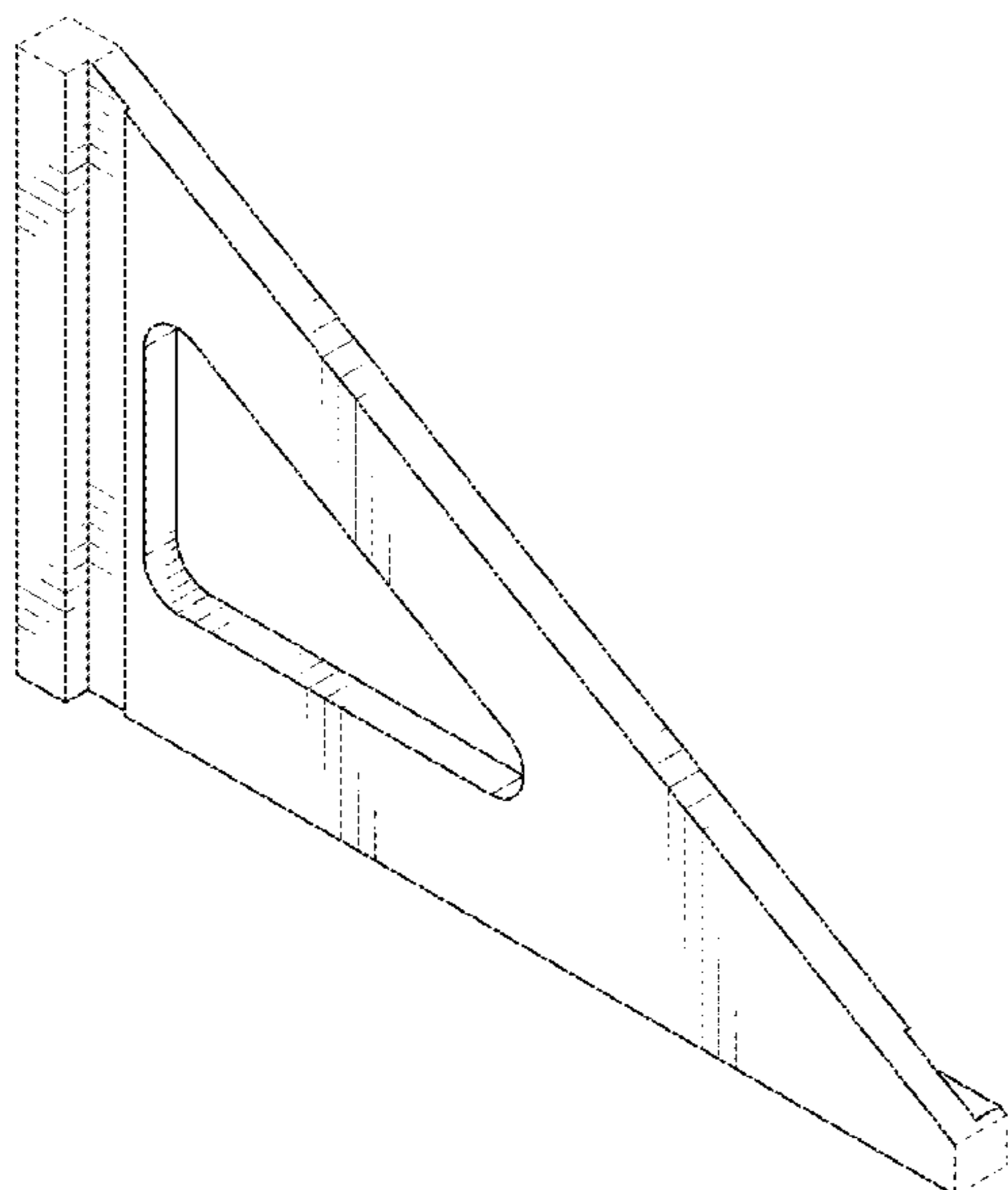
(57) **CLAIM**

The ornamental design for a 30-60-90 angle square, as shown and described.

DESCRIPTION

FIG. 1 is a front, left, and top perspective view of a 1st embodiment of the 30-60-90 angle square;
 FIG. 2 is a back, left, and top perspective view thereof;
 FIG. 3 is a front view thereof;
 FIG. 4 is a back view thereof;
 FIG. 5 is a right side view thereof;
 FIG. 6 is a left side view thereof;
 FIG. 7 is a top view thereof;
 FIG. 8 is a bottom view thereof;
 FIG. 9 is a front, left, and top perspective view of a 2nd embodiment of the 30-60-90 angle square, the 30-60-90 angle square of the 2nd embodiment of FIGS. 9-16 is the mirror image of the design of the 1st embodiment depicted in FIGS. 1-8;
 FIG. 10 is a back, left, and top perspective view of the 2nd embodiment thereof;
 FIG. 11 is a front view of the 2nd embodiment thereof;
 FIG. 12 is a back view of the 2nd embodiment thereof;
 FIG. 13 is a right side view of the 2nd embodiment thereof;
 FIG. 14 is a left side view of the 2nd embodiment thereof;
 FIG. 15 is a top view of the 2nd embodiment thereof; and,
 FIG. 16 is a bottom view of the 2nd embodiment thereof.
 The broken lines shown in FIGS. 1-16 illustrate features of the 30-60-90 angle square that form no part of the claimed design.

1 Claim, 8 Drawing Sheets



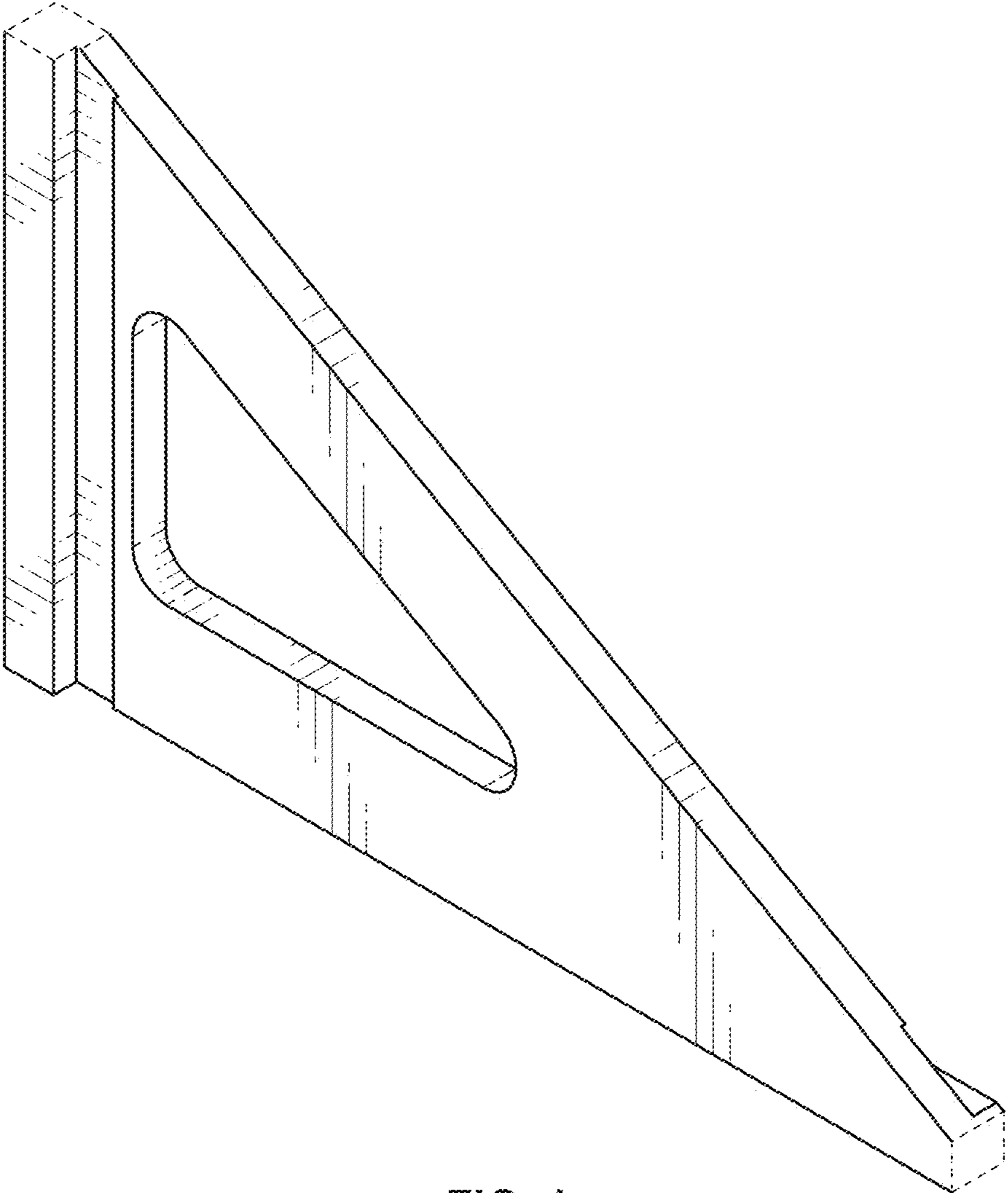


FIG. 1

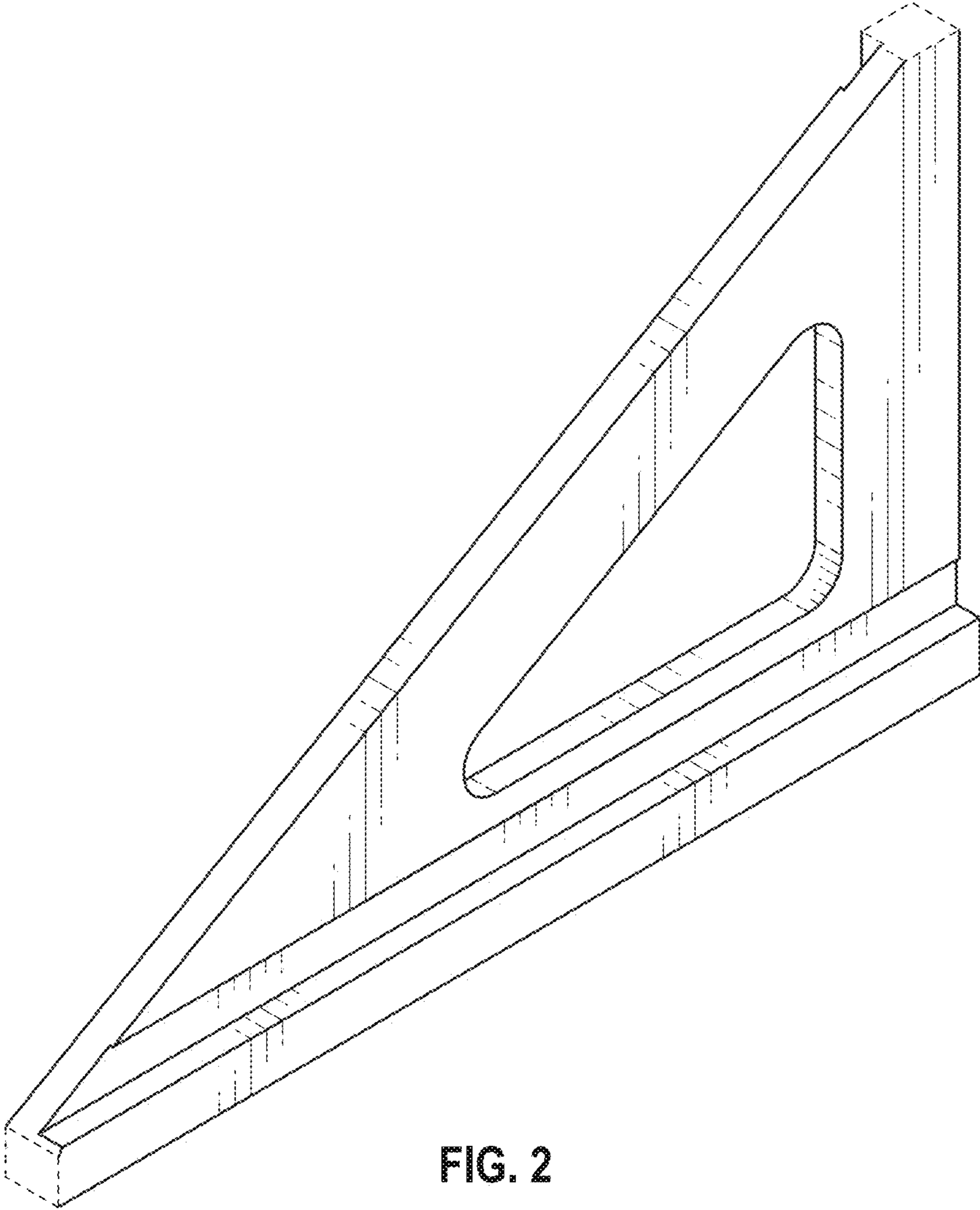


FIG. 2

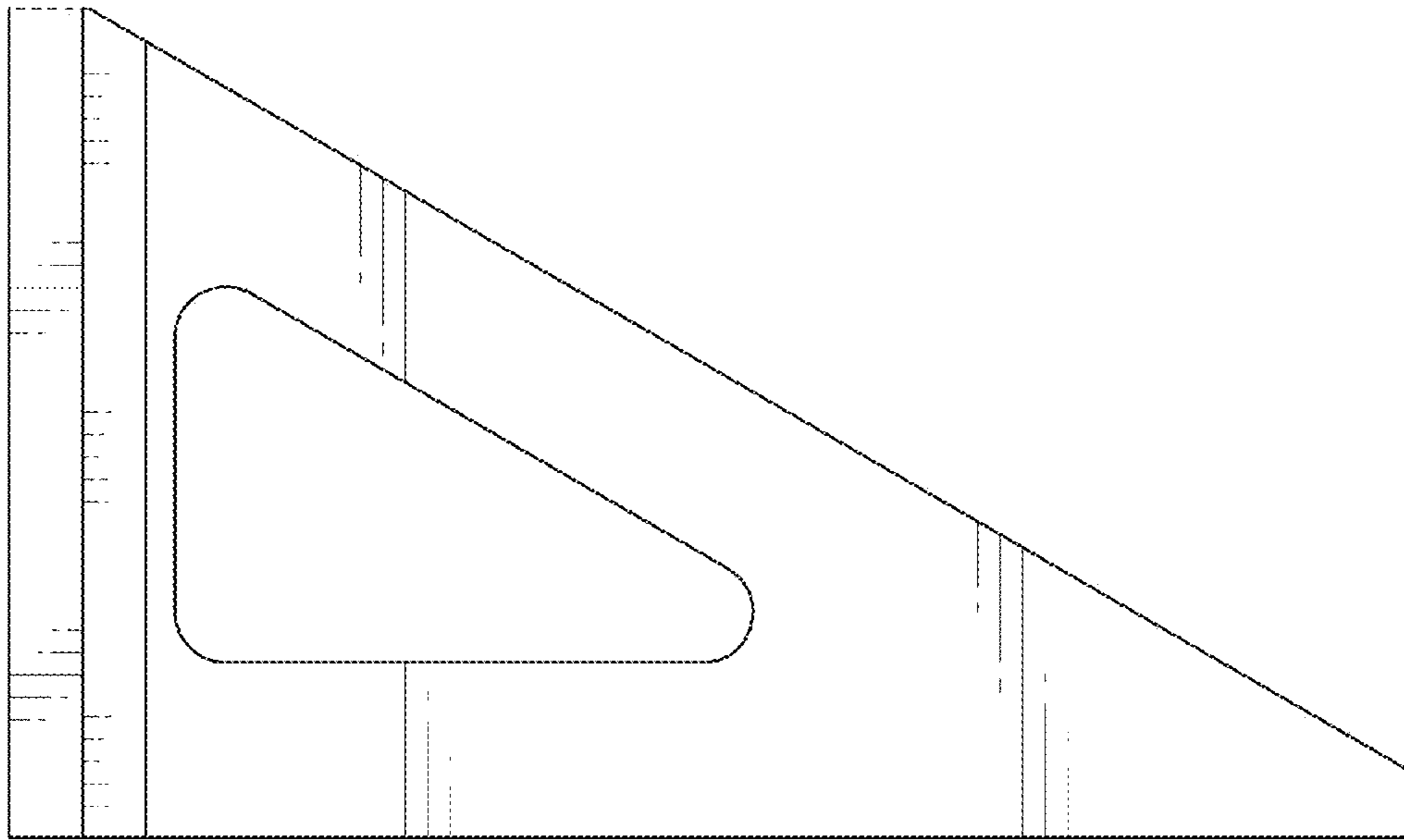


FIG. 3

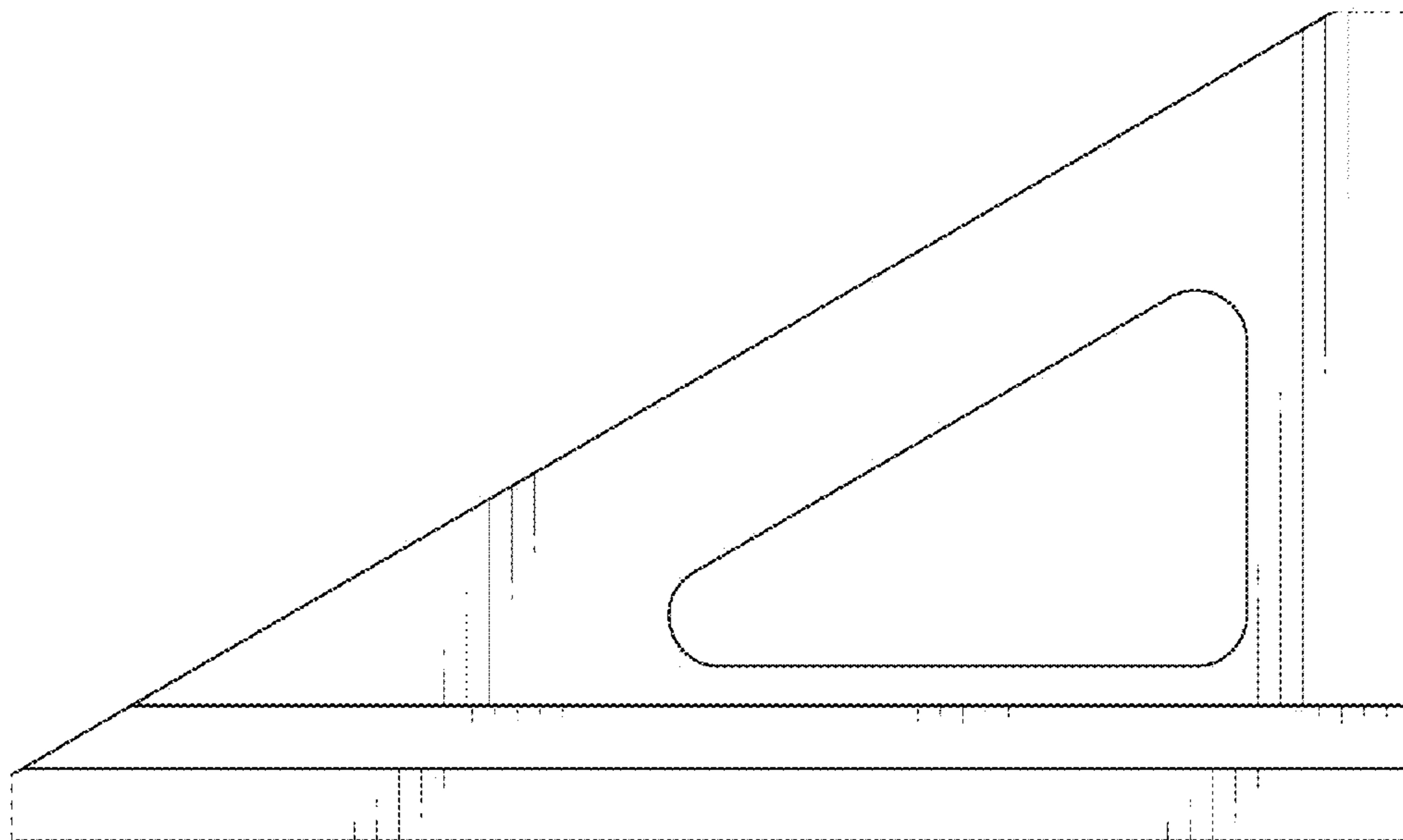


FIG. 4

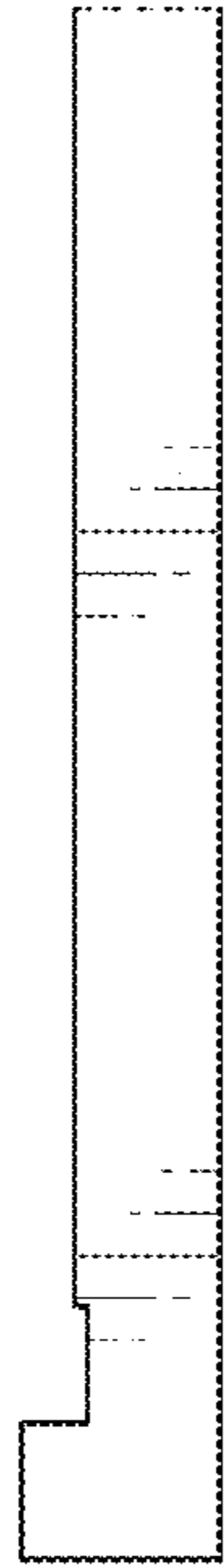


FIG. 5

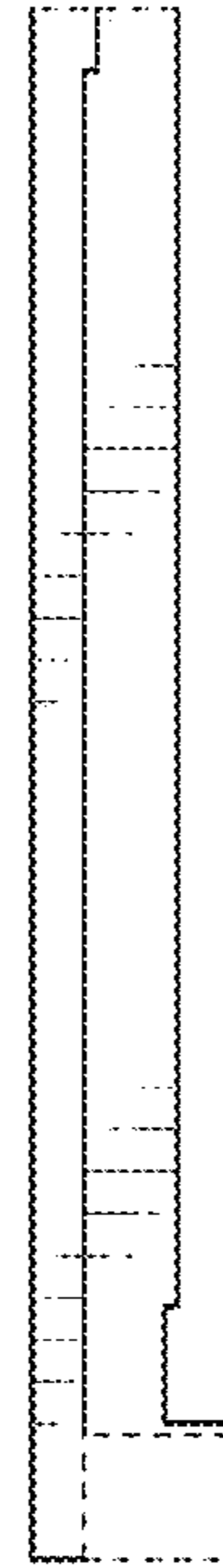


FIG. 6

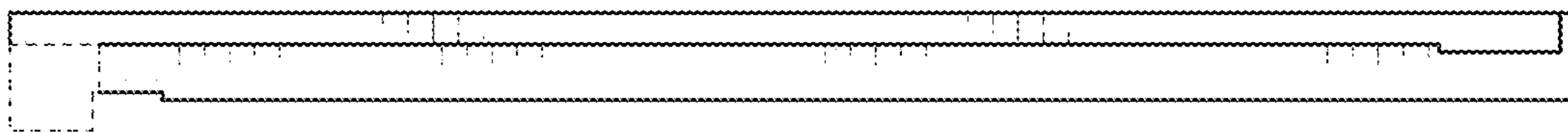


FIG. 7

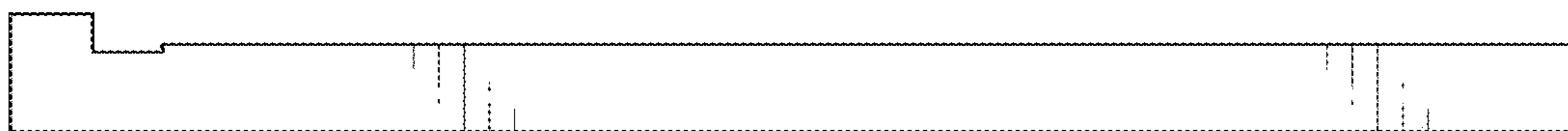


FIG. 8

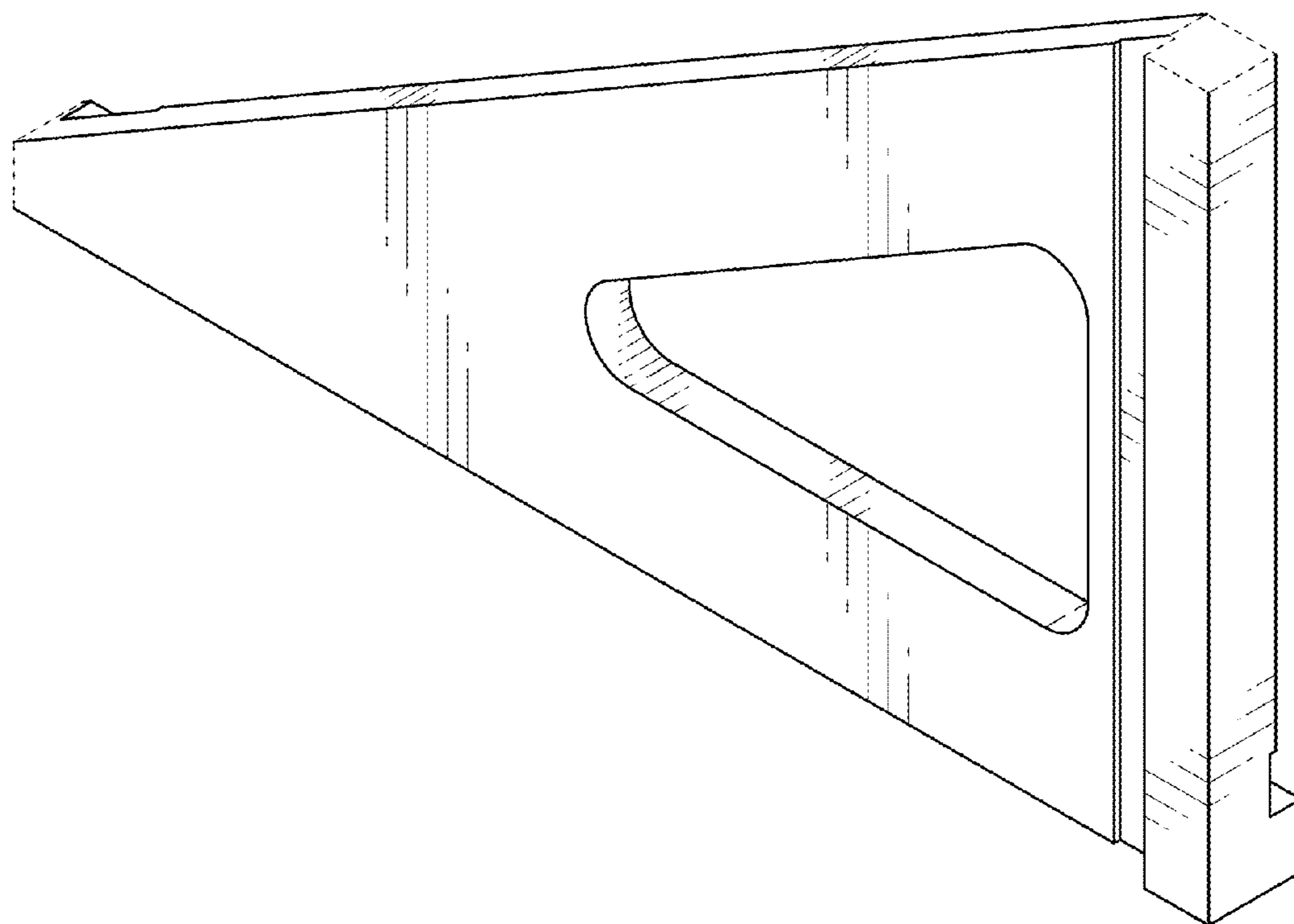


FIG. 9

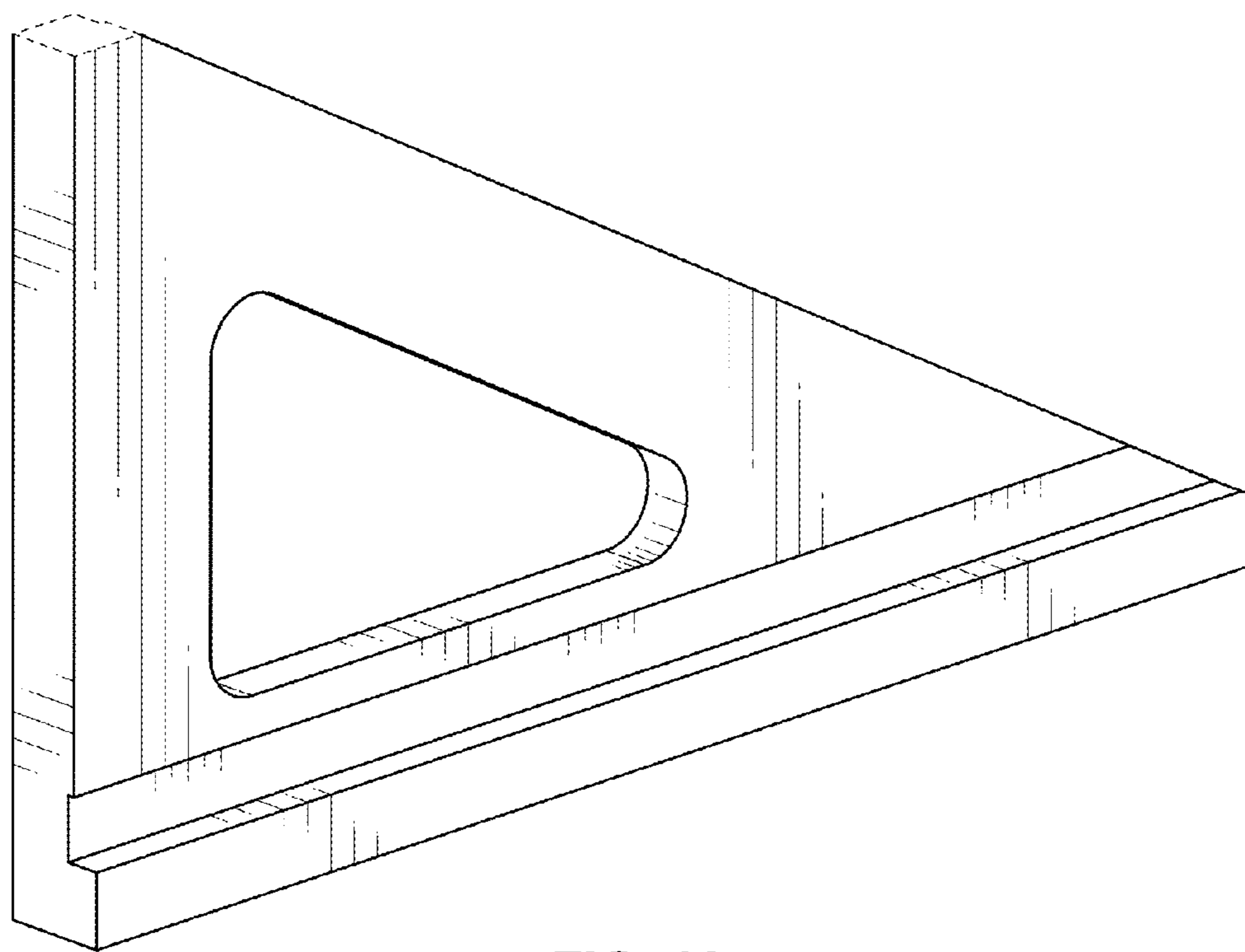


FIG. 10

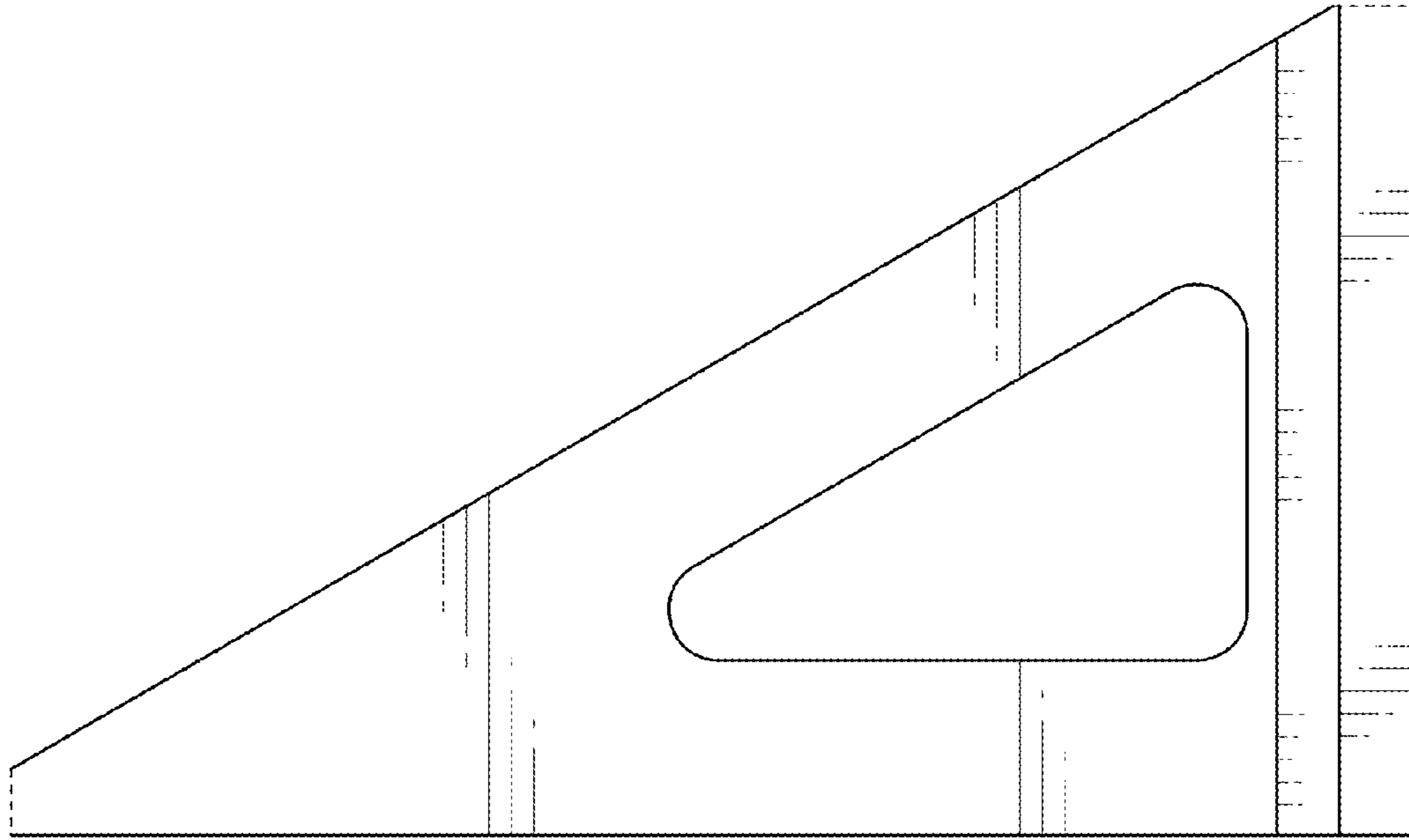


FIG. 11

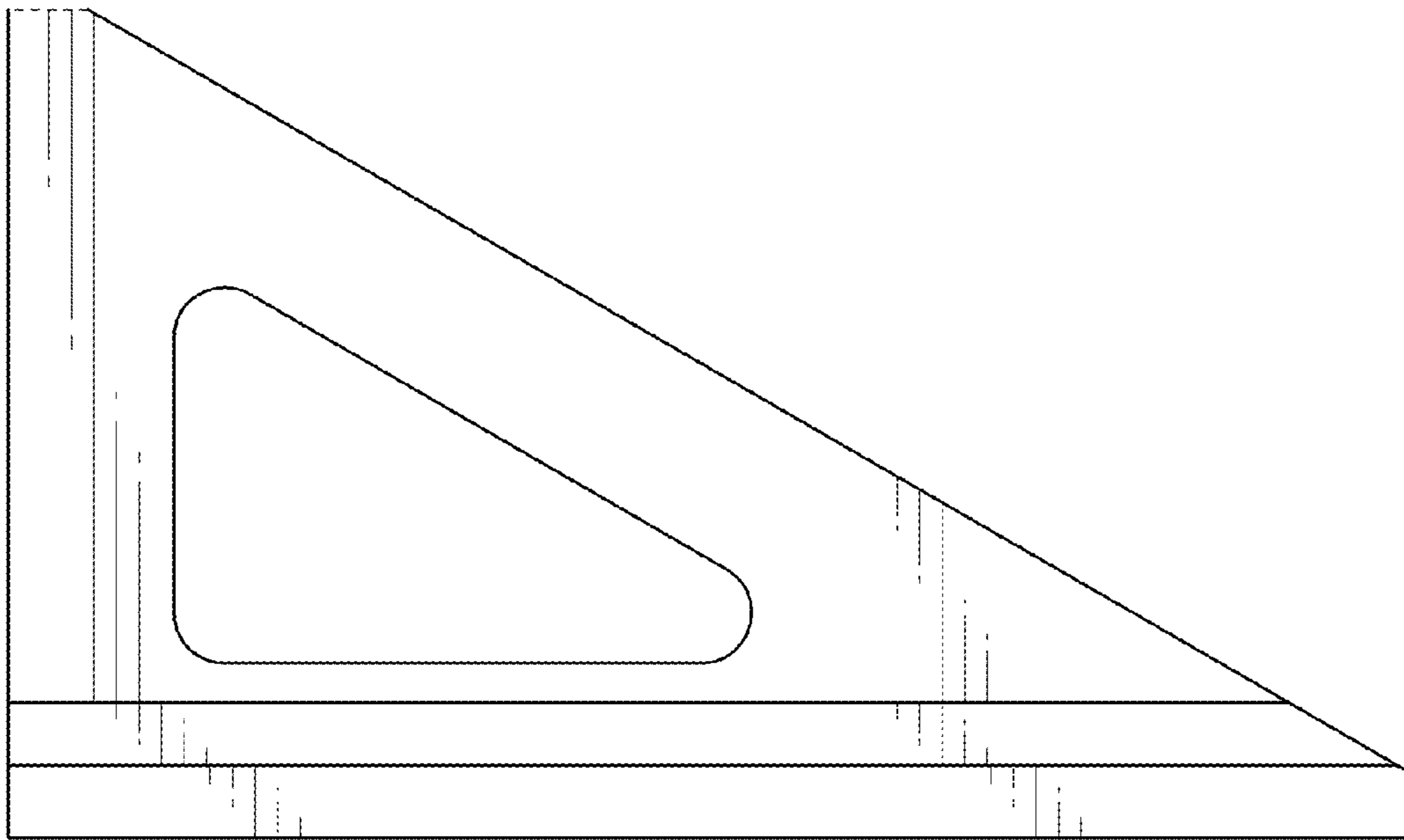


FIG. 12

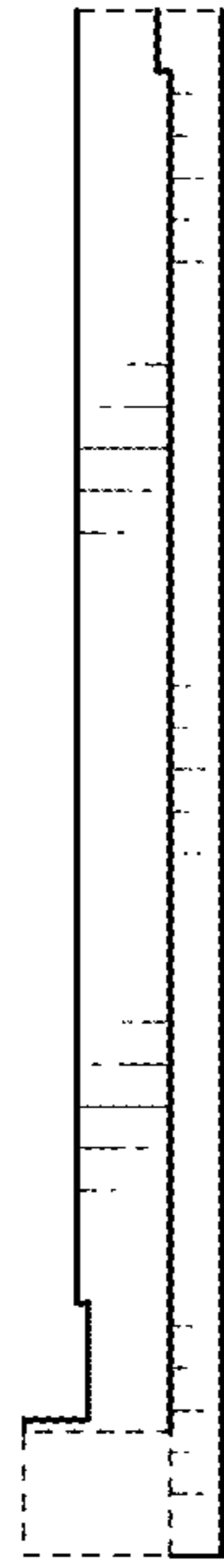


FIG. 13

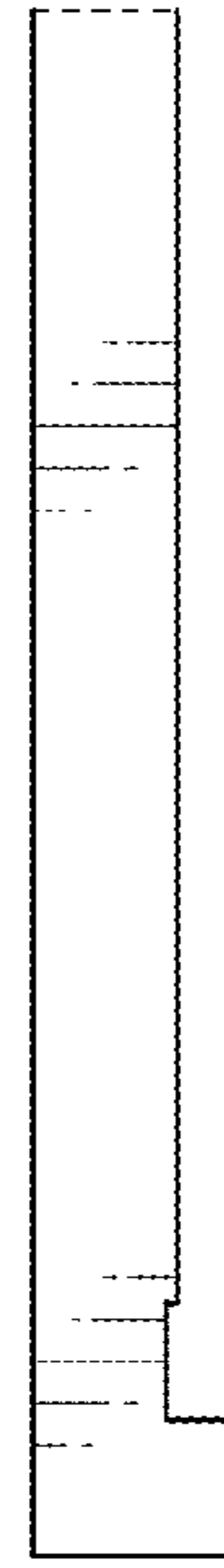


FIG. 14

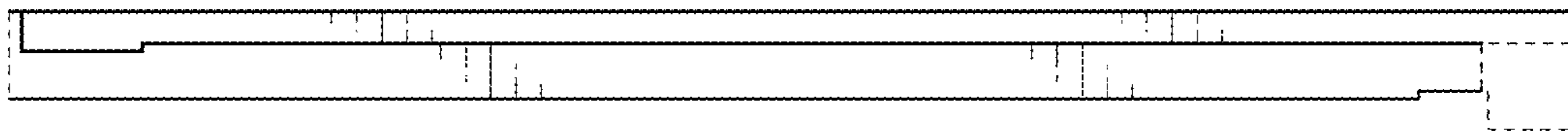


FIG. 15



FIG. 16