

US00D760568S

(12) **United States Design Patent**
Plaisance, III et al.

(10) **Patent No.:** **US D760,568 S**
(45) **Date of Patent:** **** Jul. 5, 2016**

(54) **CONTROL LINE STRIPPING DEVICE**

(71) Applicant: **Pneumatic and Hydraulic Company, LLC**, Houston, TX (US)

(72) Inventors: **George J. Plaisance, III**, Cypress, TX (US); **Albert P. Davis, Jr.**, Gold Beach, OR (US)

(73) Assignee: **PNEUMATIC AND HYDRAULIC COMPANY, LLC**, Houston, TX (US)

(**) Term: **14 Years**

(21) Appl. No.: **29/526,701**

(22) Filed: **May 12, 2015**

(51) **LOC (10) Cl.** **05-01**

(52) **U.S. Cl.**
USPC **D8/51**

(58) **Field of Classification Search**
USPC D8/4, 5, 51-60, 105, 107
CPC . H02G 1/1297; H02G 1/1229; H02G 1/1226;
H02G 1/1217; B23D 45/042
See application file for complete search history.

(56) **References Cited**

U.S. PATENT DOCUMENTS

D228,614 S * 10/1973 Uchida D8/52
4,769,909 A * 9/1988 Ducret H02G 1/1297
30/90.3

(Continued)

Primary Examiner — Deanna L Pratt

(74) *Attorney, Agent, or Firm* — Andrew W. Chu; Craft Chu PLLC

(57) **CLAIM**

The ornamental design for a control line stripping device, as shown and described.

DESCRIPTION

FIG. 1 is an upper perspective view of the control line stripping device showing my design.

FIG. 2 is a side elevation view thereof;

FIG. 3 is an opposite side elevation view thereof;

FIG. 4 is a front elevation view thereof;

FIG. 5 is a back elevation view thereof;

FIG. 6 is a top plan view thereof;

FIG. 7 is a bottom plan view thereof;

FIG. 8 is an upper perspective view of another embodiment of the control line stripping device, showing a configuration with a second cutter;

FIG. 9 is a side elevation view of the embodiment of FIG. 8;

FIG. 10 is an opposite side elevation view of the embodiment of FIG. 8;

FIG. 11 is a front elevation view of the embodiment of FIG. 8;

FIG. 12 is a back elevation view of the embodiment of FIG. 8;

FIG. 13 is a top plan view of the embodiment of FIG. 8;

FIG. 14 is a bottom plan view of the embodiment of FIG. 8;

FIG. 15 is an upper perspective view of still another embodiment of the control line stripping device, showing a configuration with a third cutter;

FIG. 16 is a side elevation view of the embodiment of FIG. 15;

FIG. 17 is an opposite side elevation view of the embodiment of FIG. 15;

FIG. 18 is a front elevation view of the embodiment of FIG. 15;

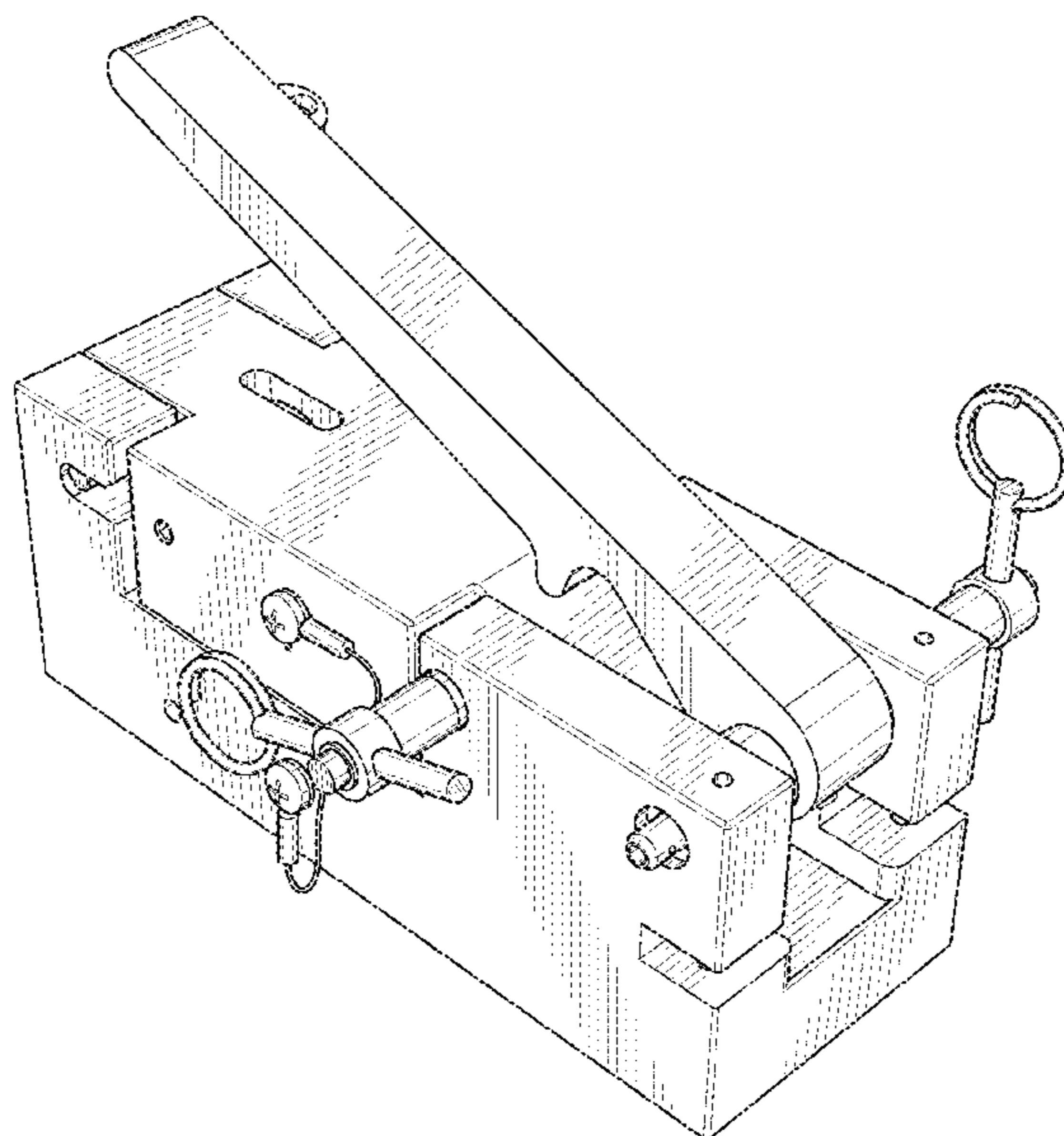
FIG. 19 is a back elevation view of the embodiment of FIG. 15;

FIG. 20 is a top plan view of the embodiment of FIG. 15; and,

FIG. 21 is a bottom plan view of the embodiment of FIG. 15.

The drawings show the design of a control line stripping device with cutters. A control line is a hydraulic, electrical, chemical or optic fiber line or umbilical typically used in offshore oil and gas fields.

1 Claim, 12 Drawing Sheets



(56)

References Cited

U.S. PATENT DOCUMENTS

4,813,144 A * 3/1989 Korb H02G 1/1297
30/90.3
4,884,339 A * 12/1989 Custin H02G 1/1297
30/90.3

D323,608 S * 2/1992 Boese D8/14
D354,897 S 1/1995 Steiner
D359,214 S 6/1995 Carlson, Jr. et al.
D415,940 S 11/1999 Hollingsworth
D649,847 S * 12/2011 Zagula D8/14
D688,927 S 9/2013 Wong
9,099,853 B2 * 8/2015 Jones H02G 1/1217

* cited by examiner

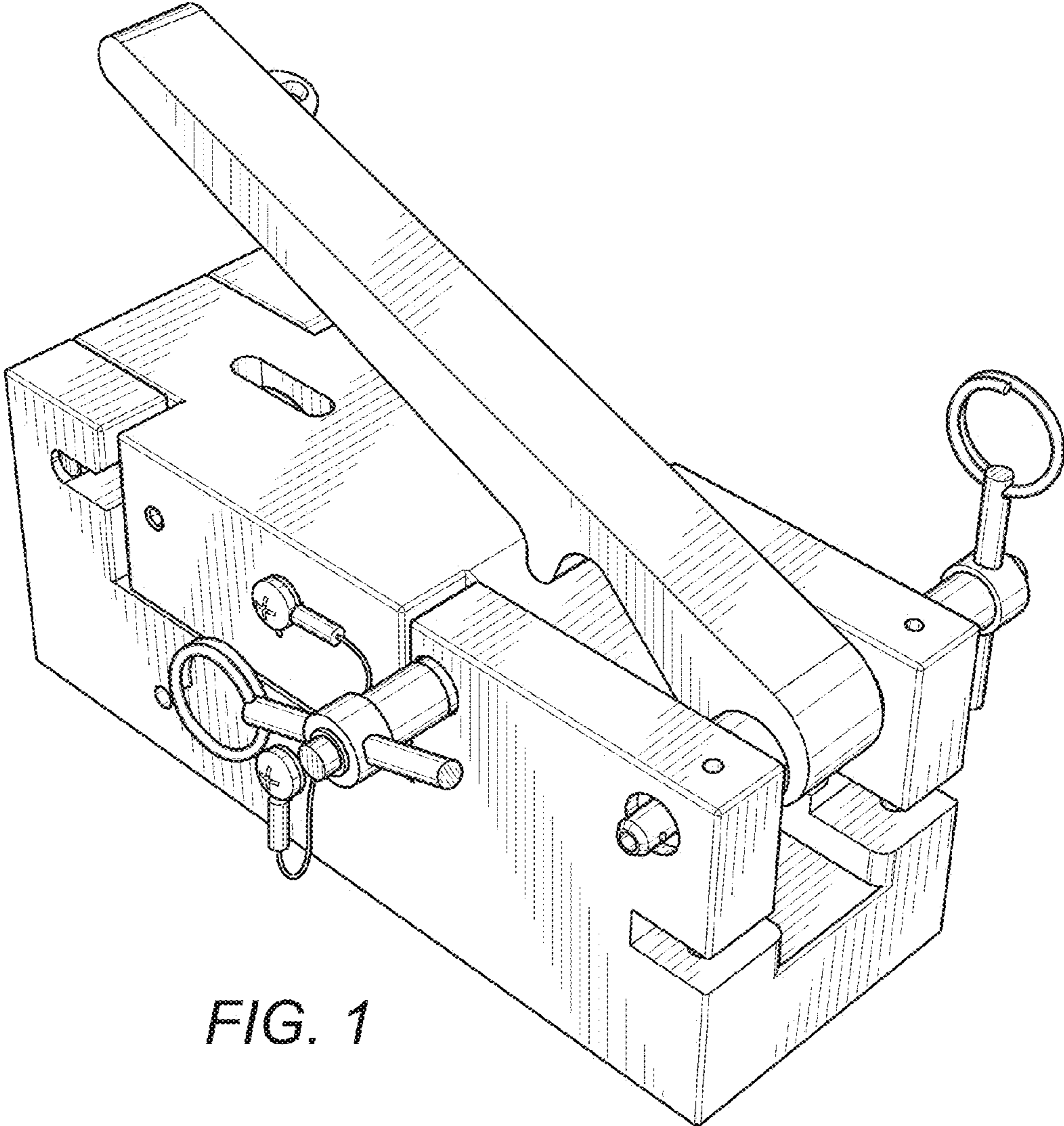
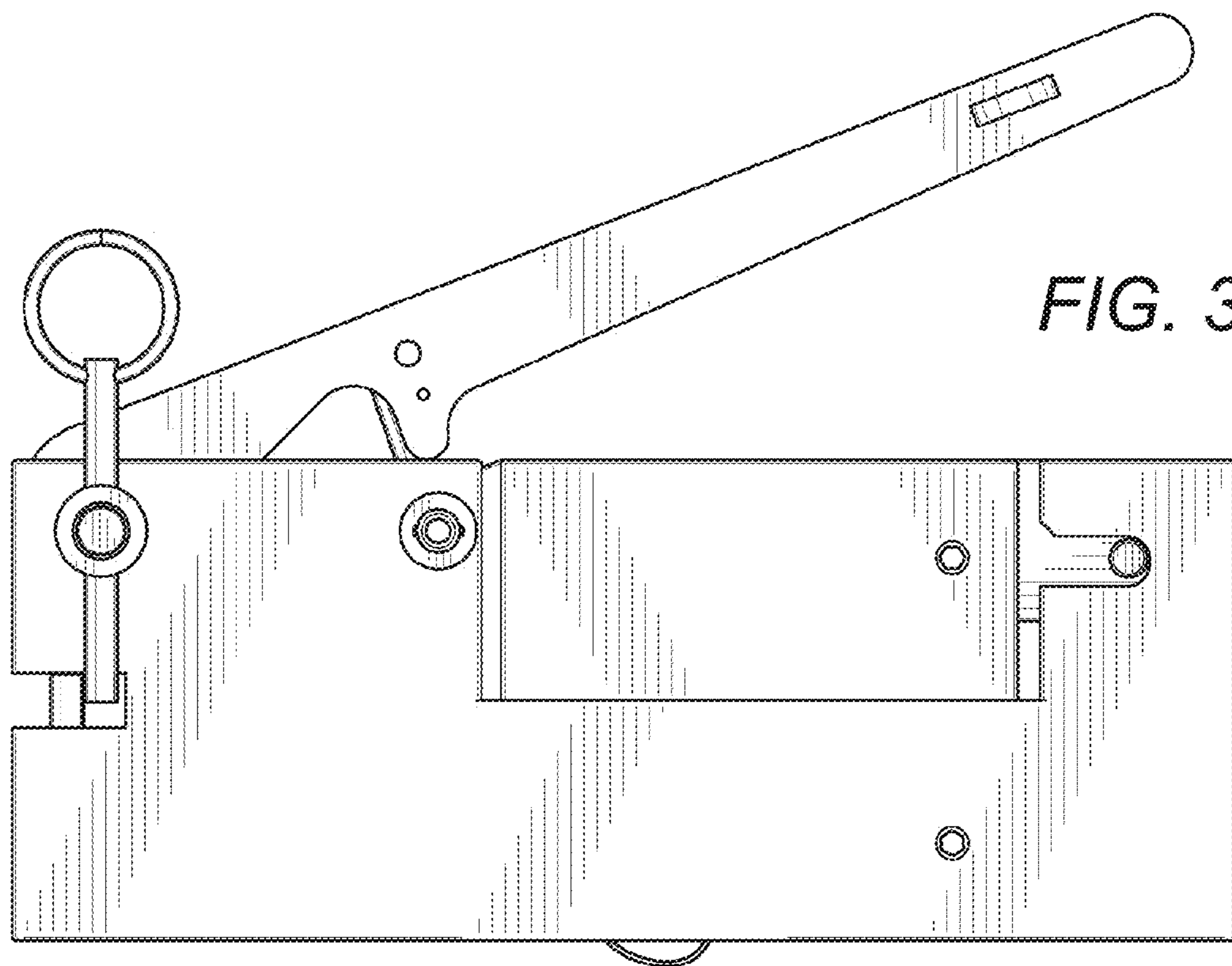
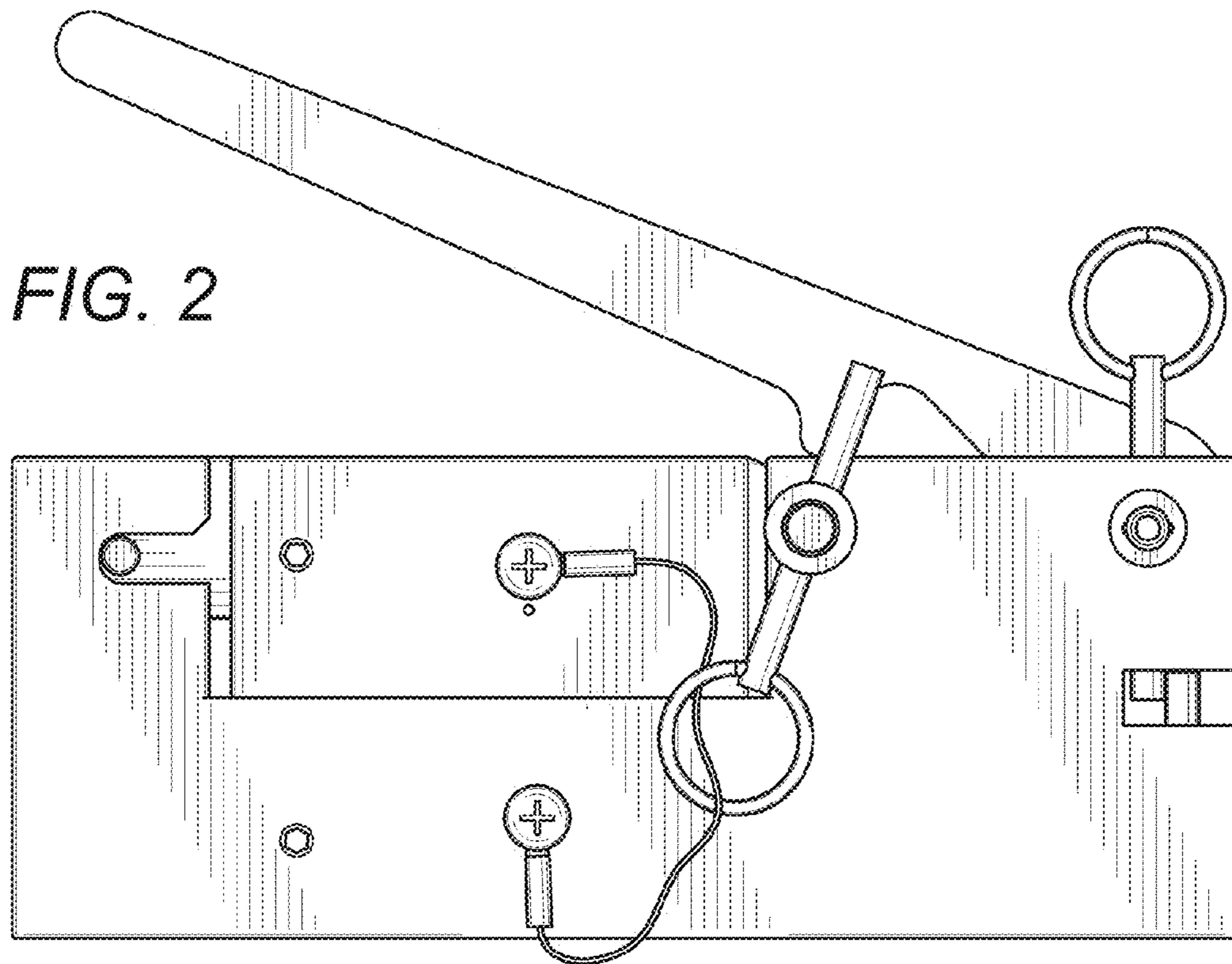


FIG. 1



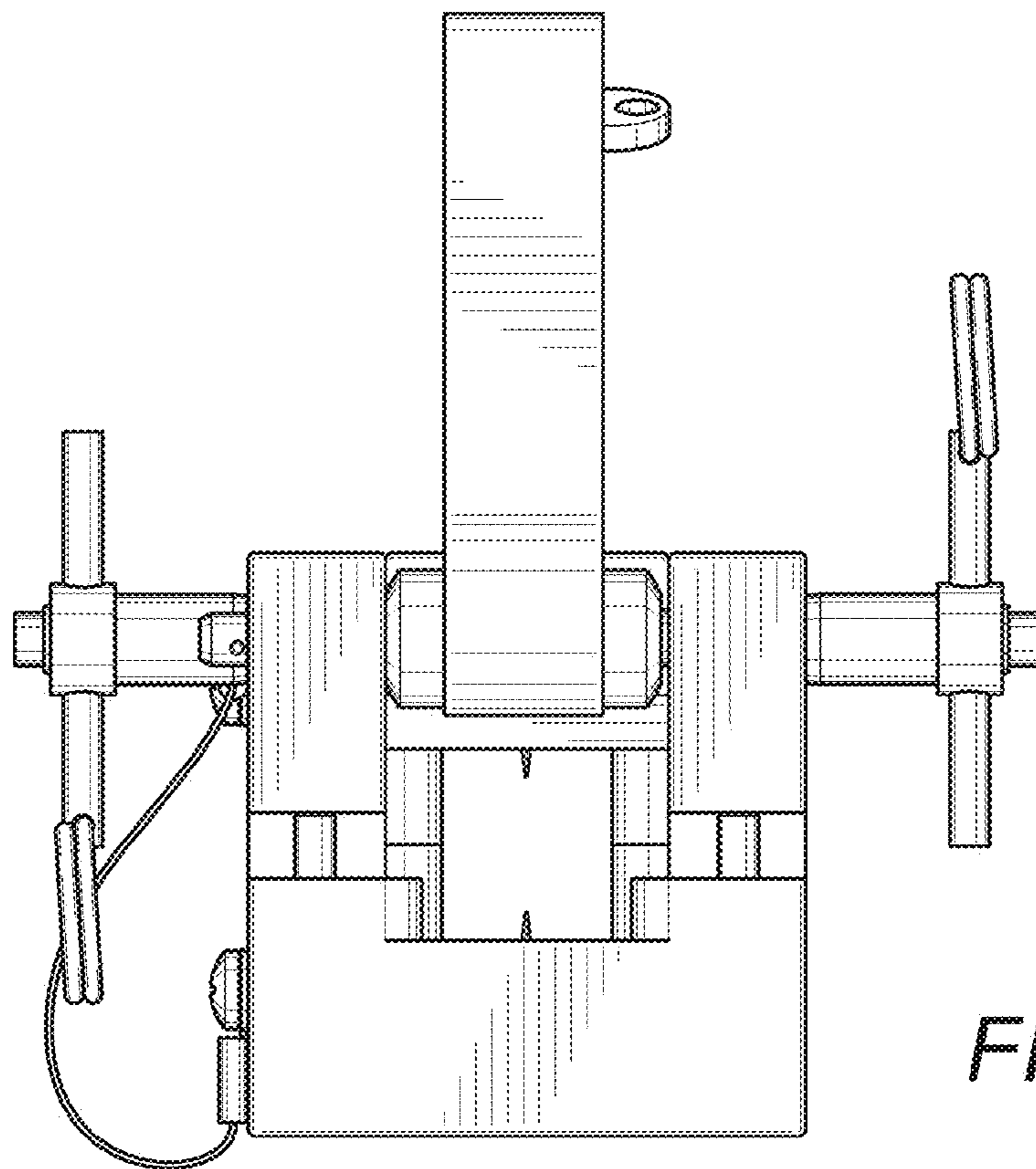


FIG. 4

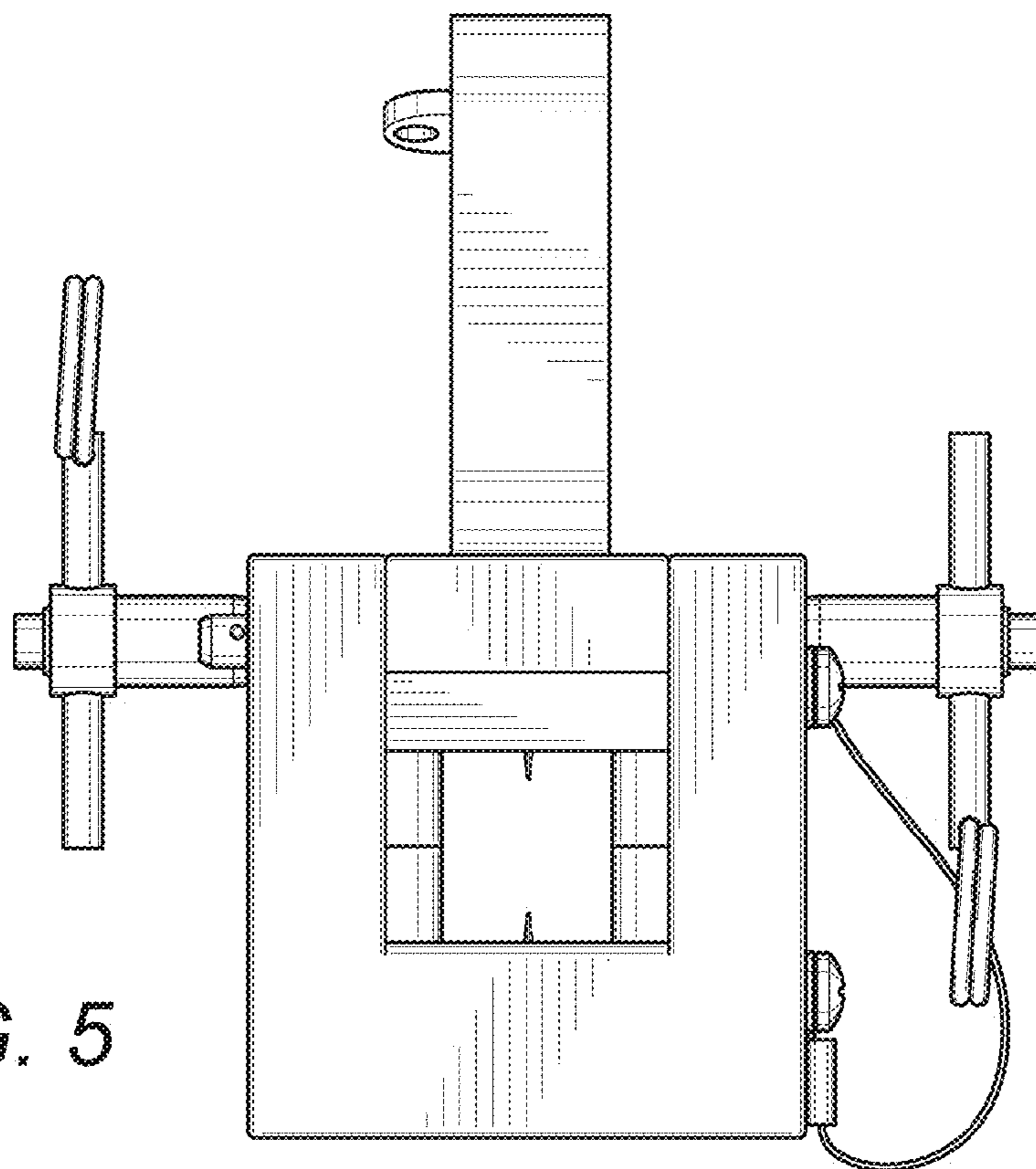


FIG. 5

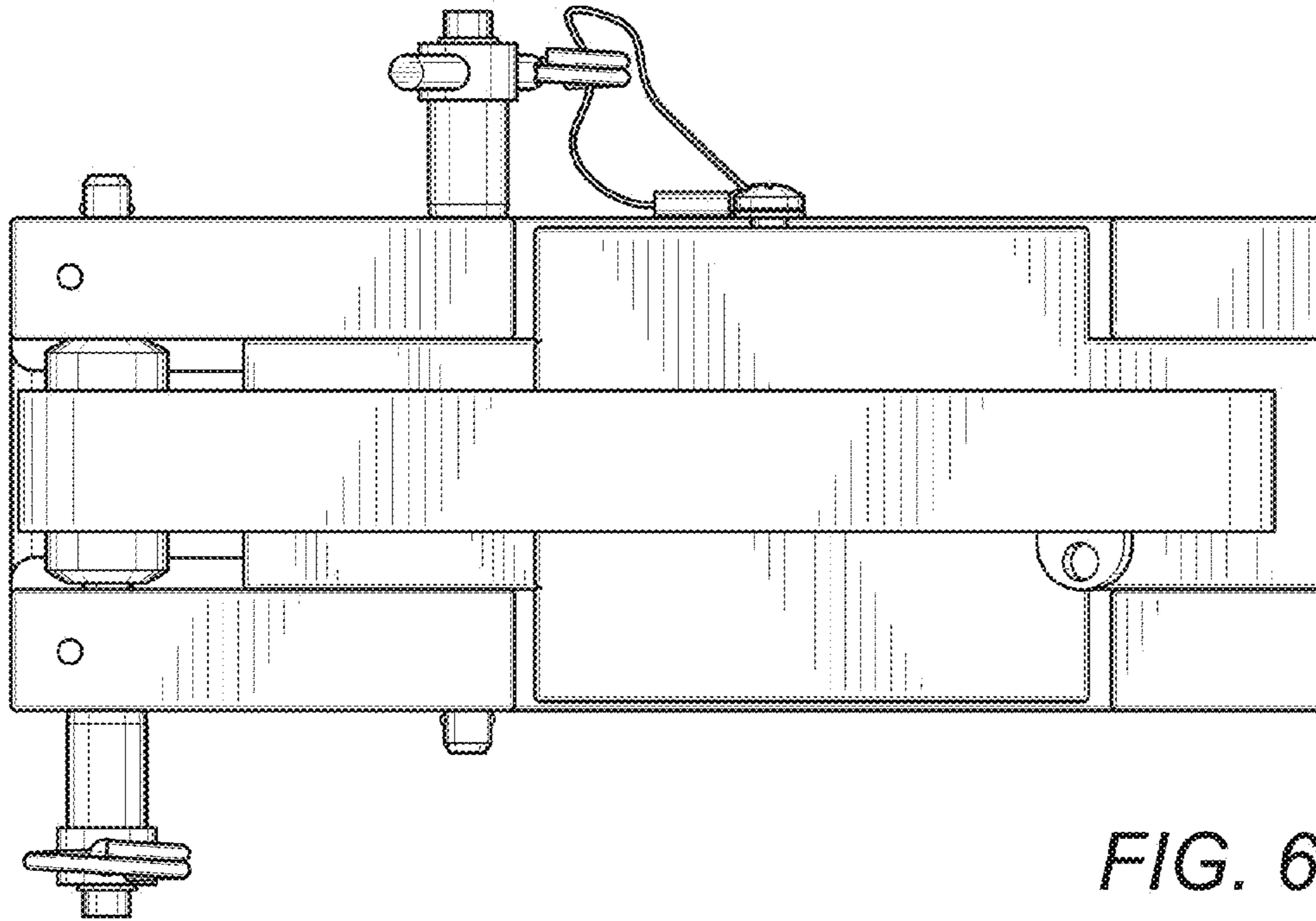


FIG. 6

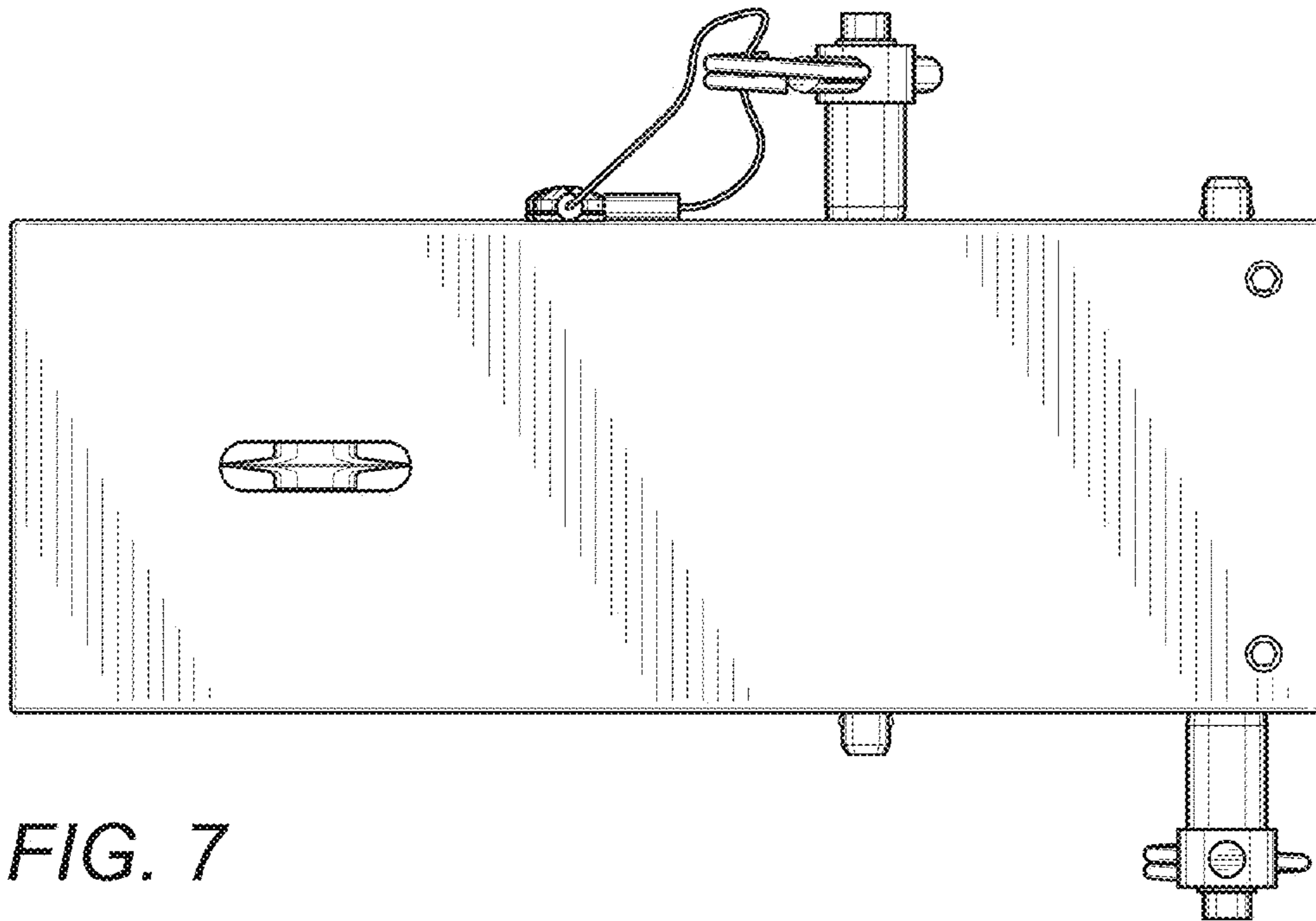


FIG. 7

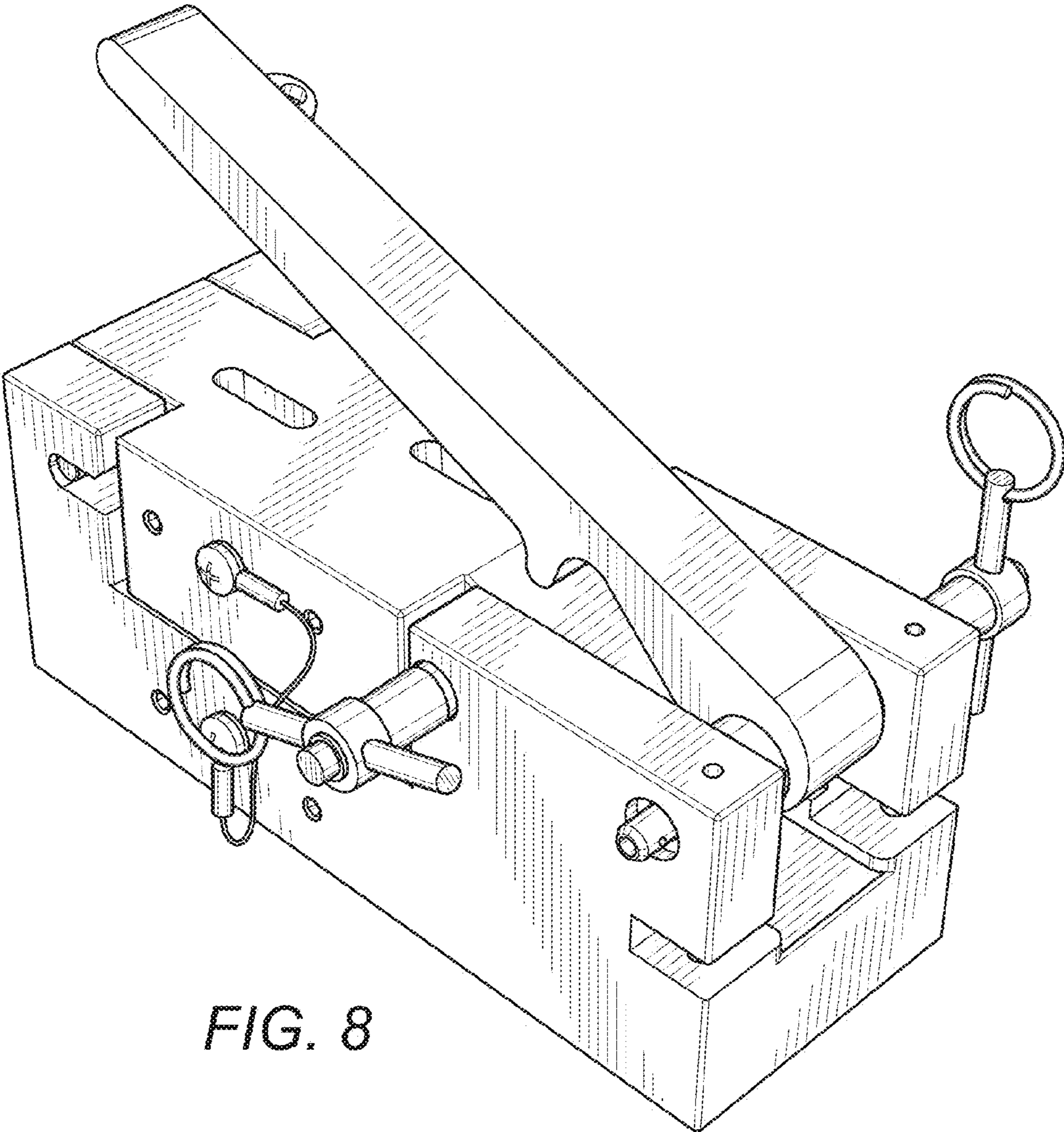
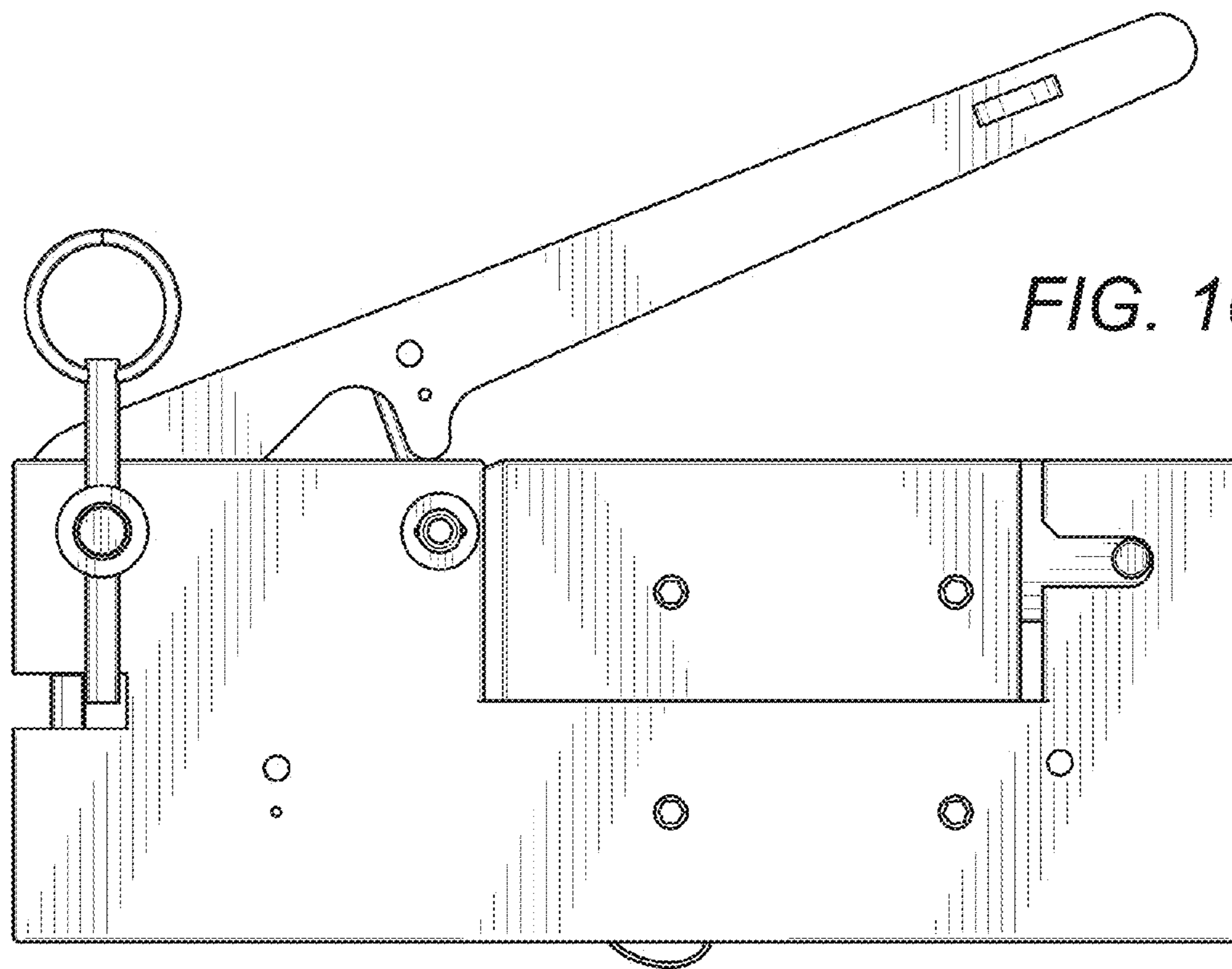
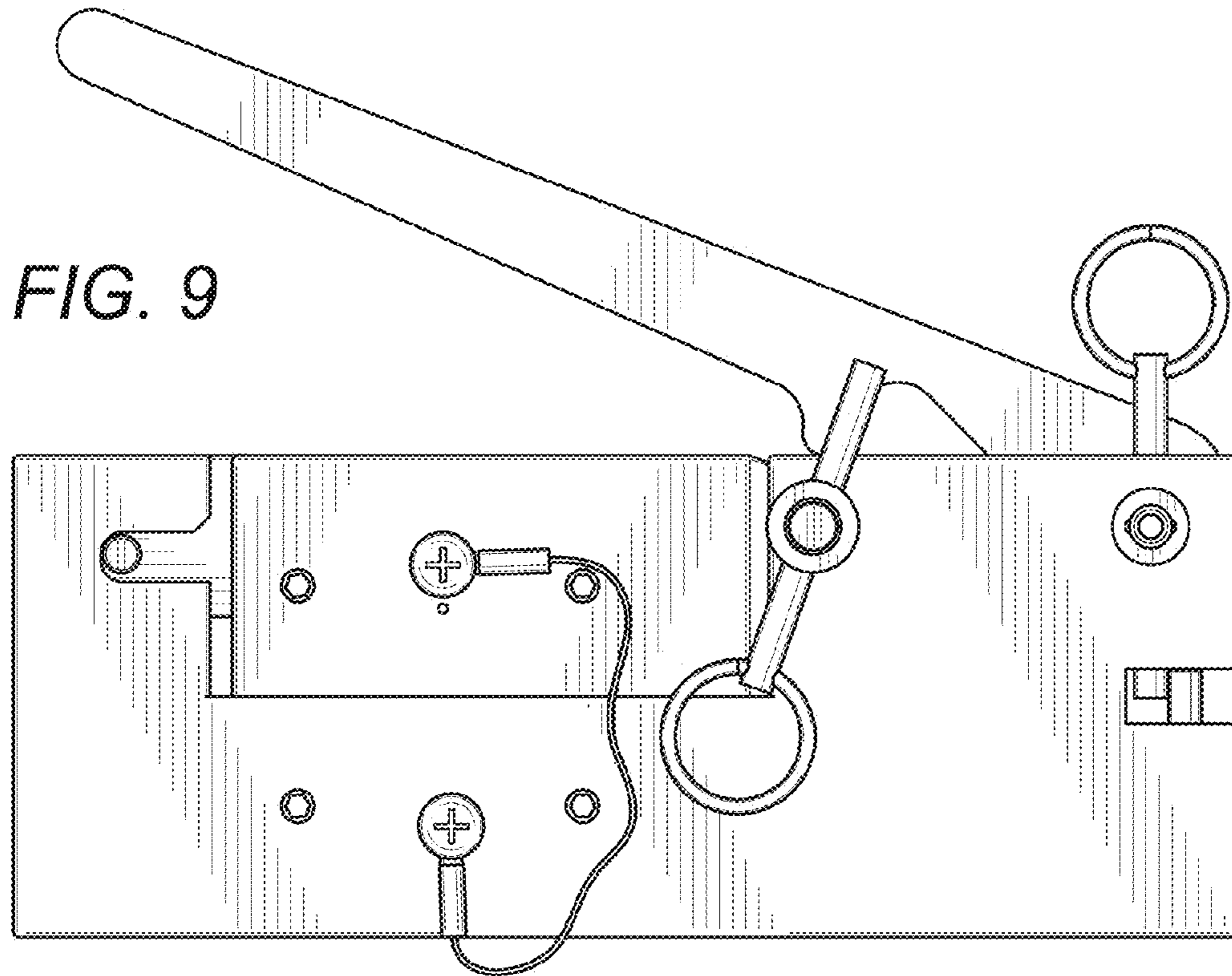


FIG. 8



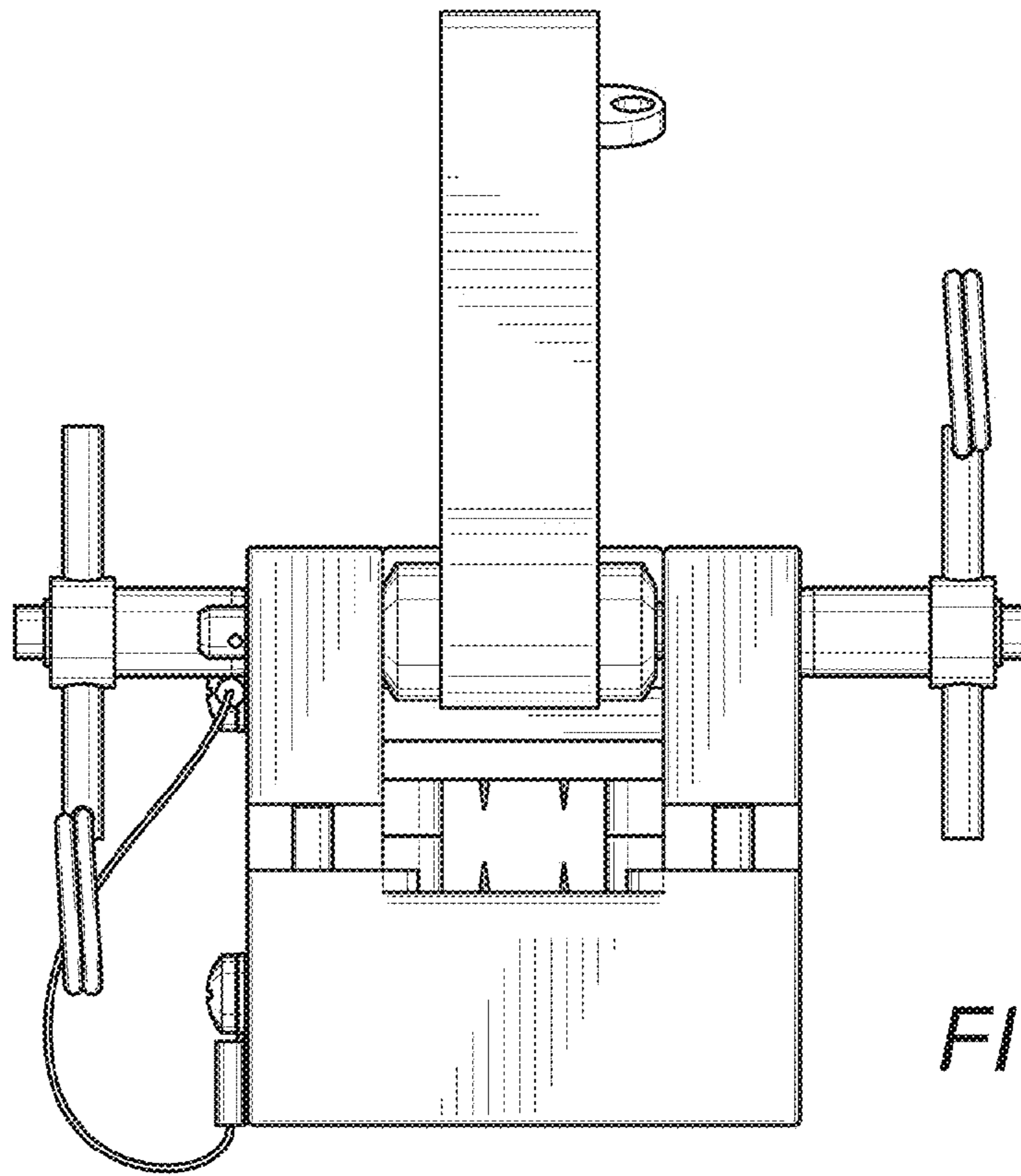


FIG. 11

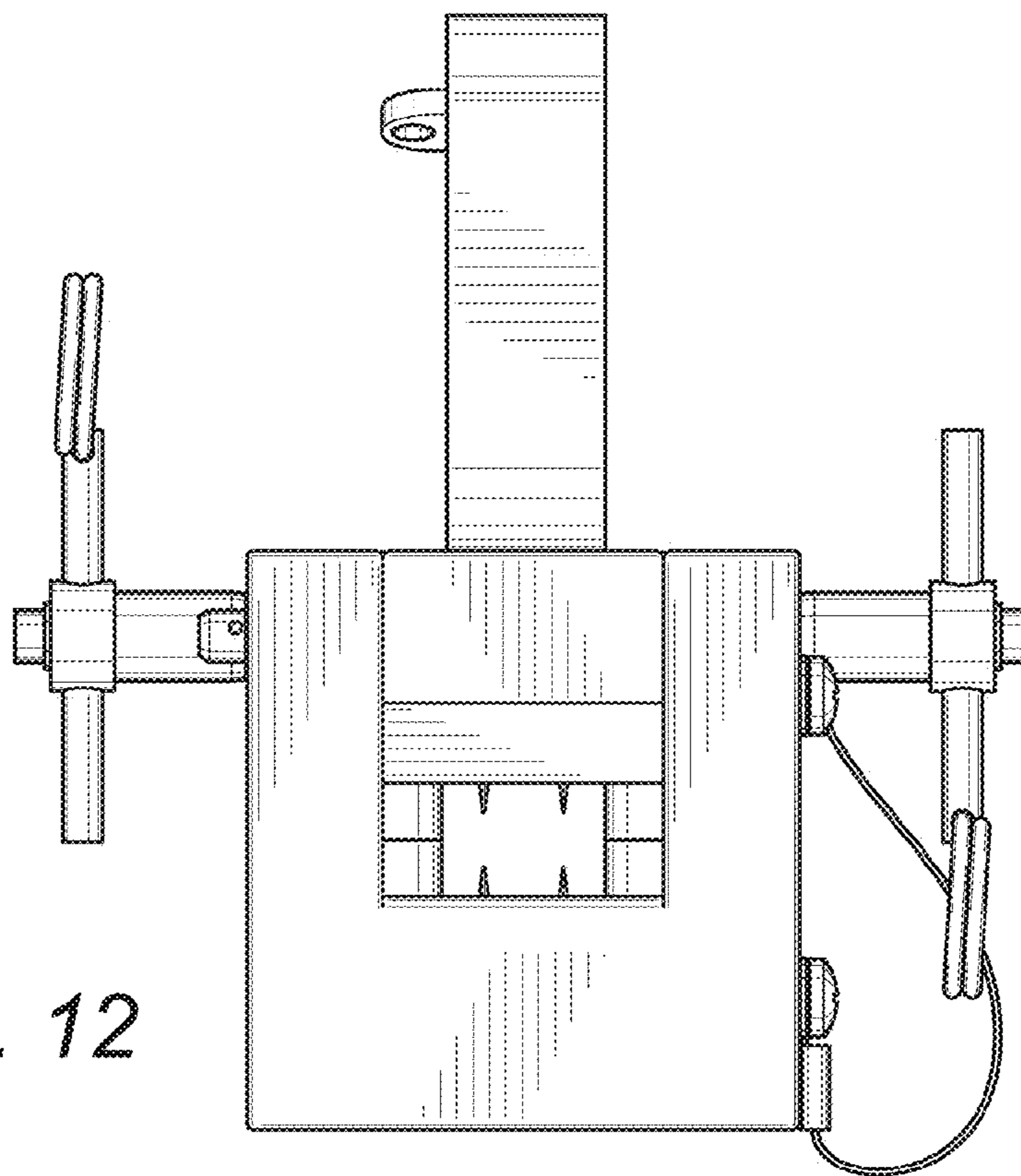


FIG. 12

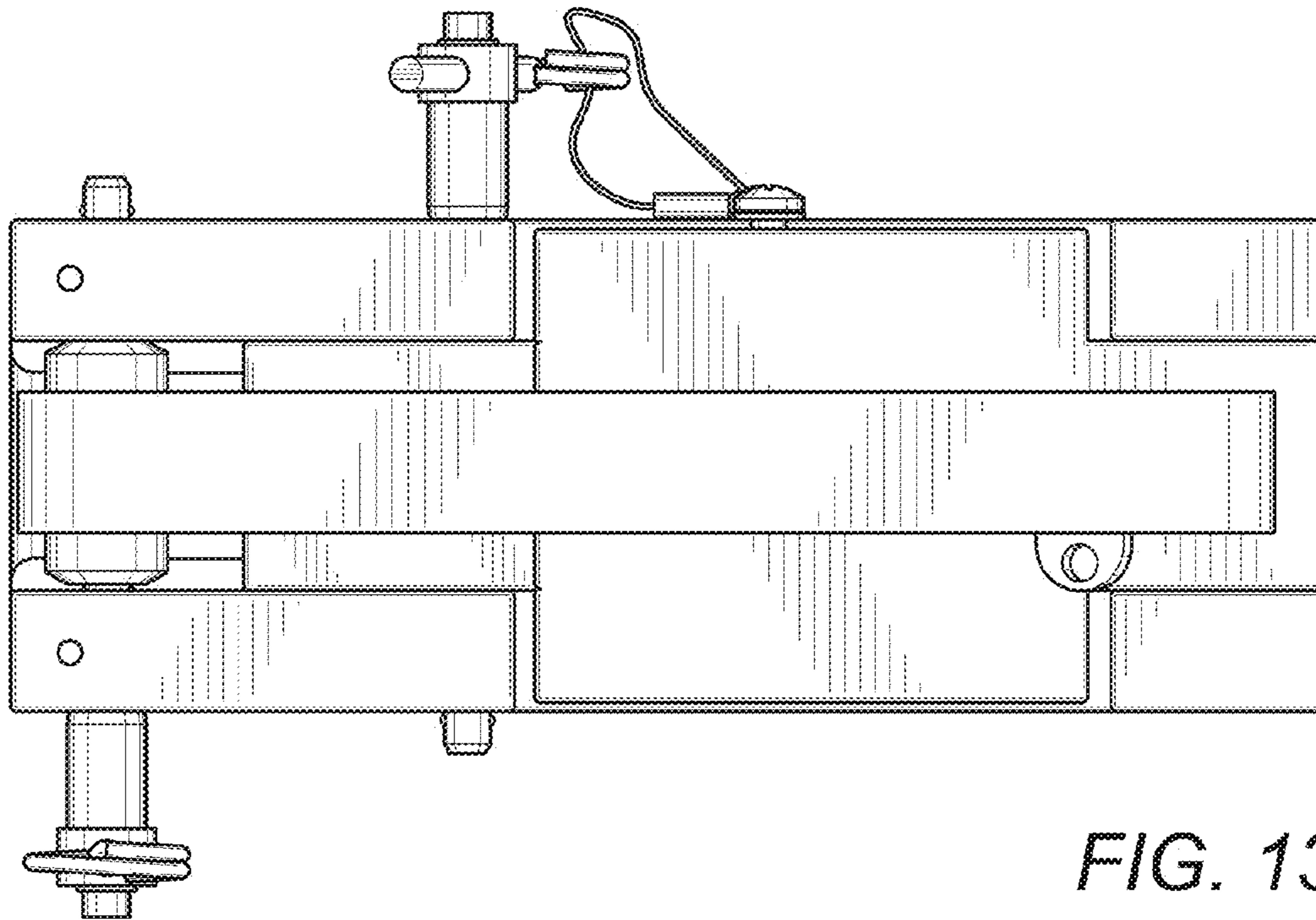


FIG. 13

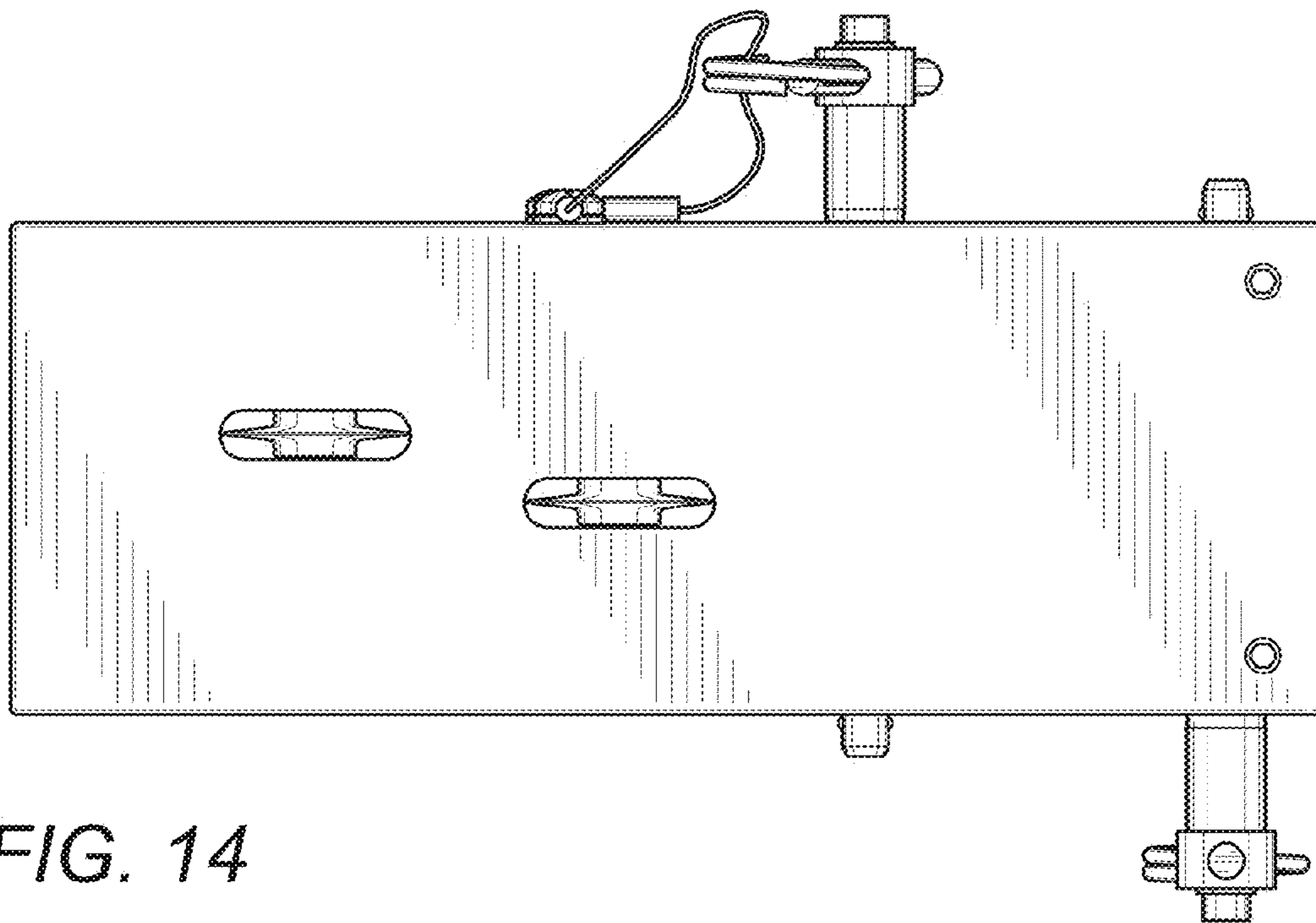


FIG. 14

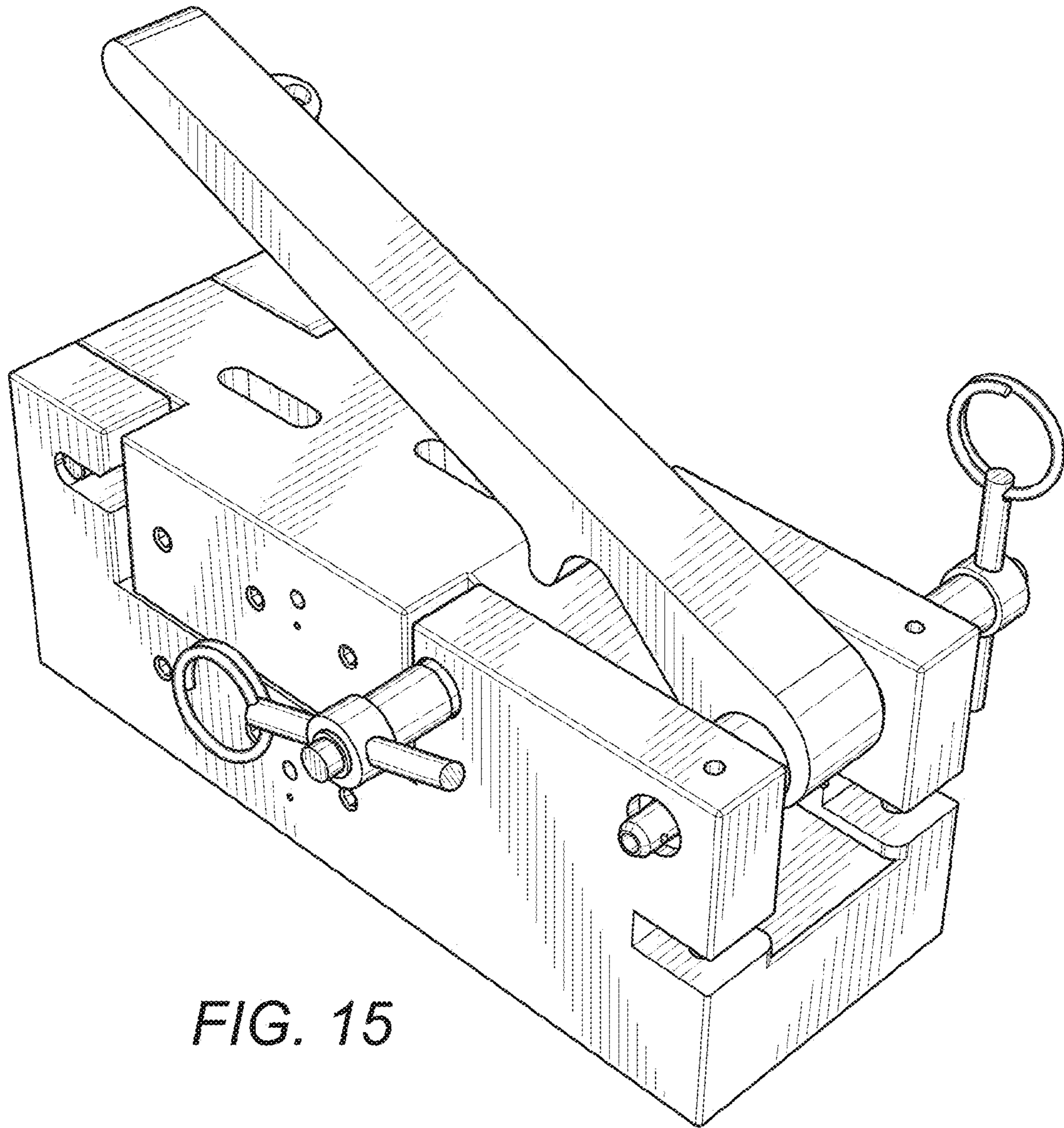


FIG. 15

FIG. 16

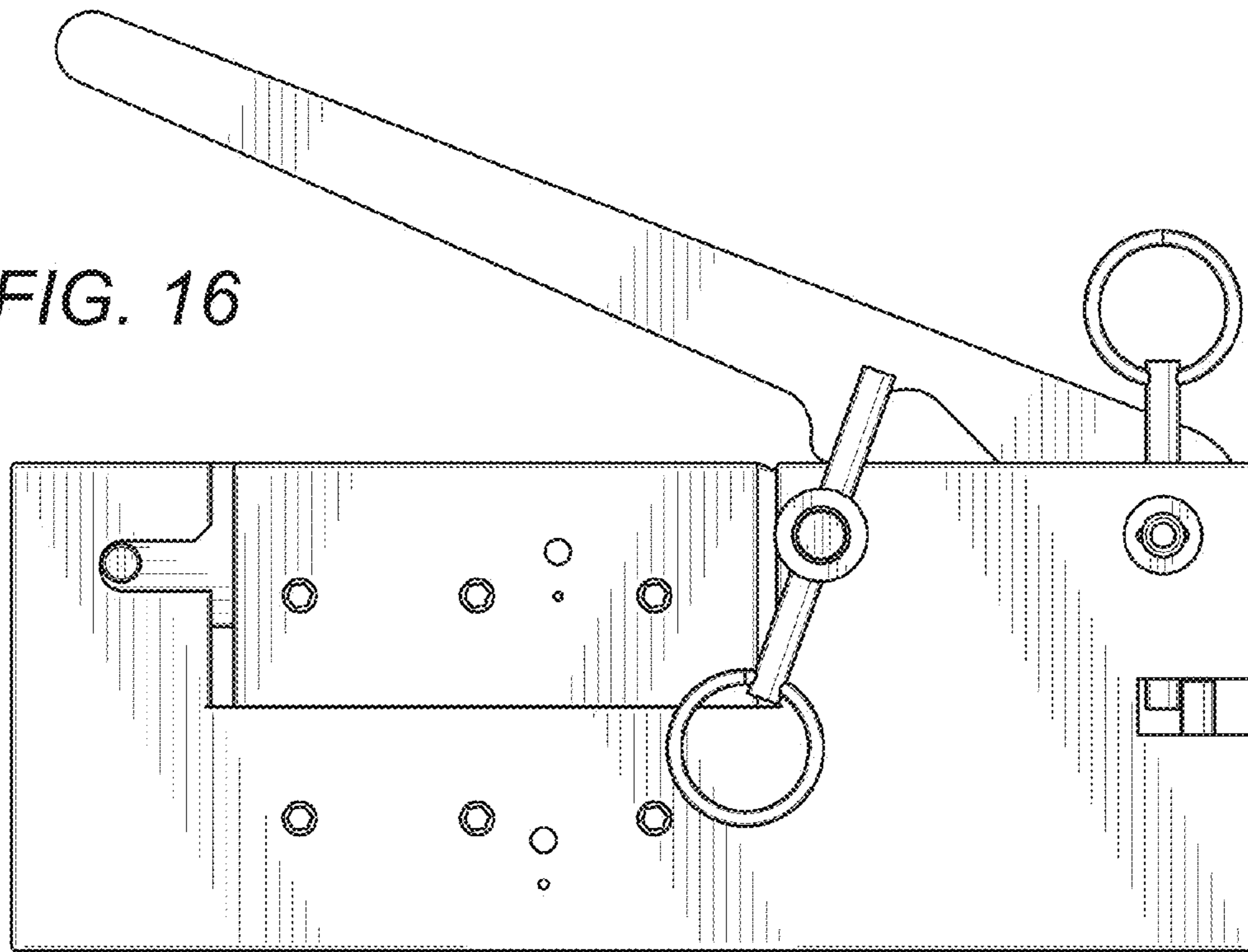
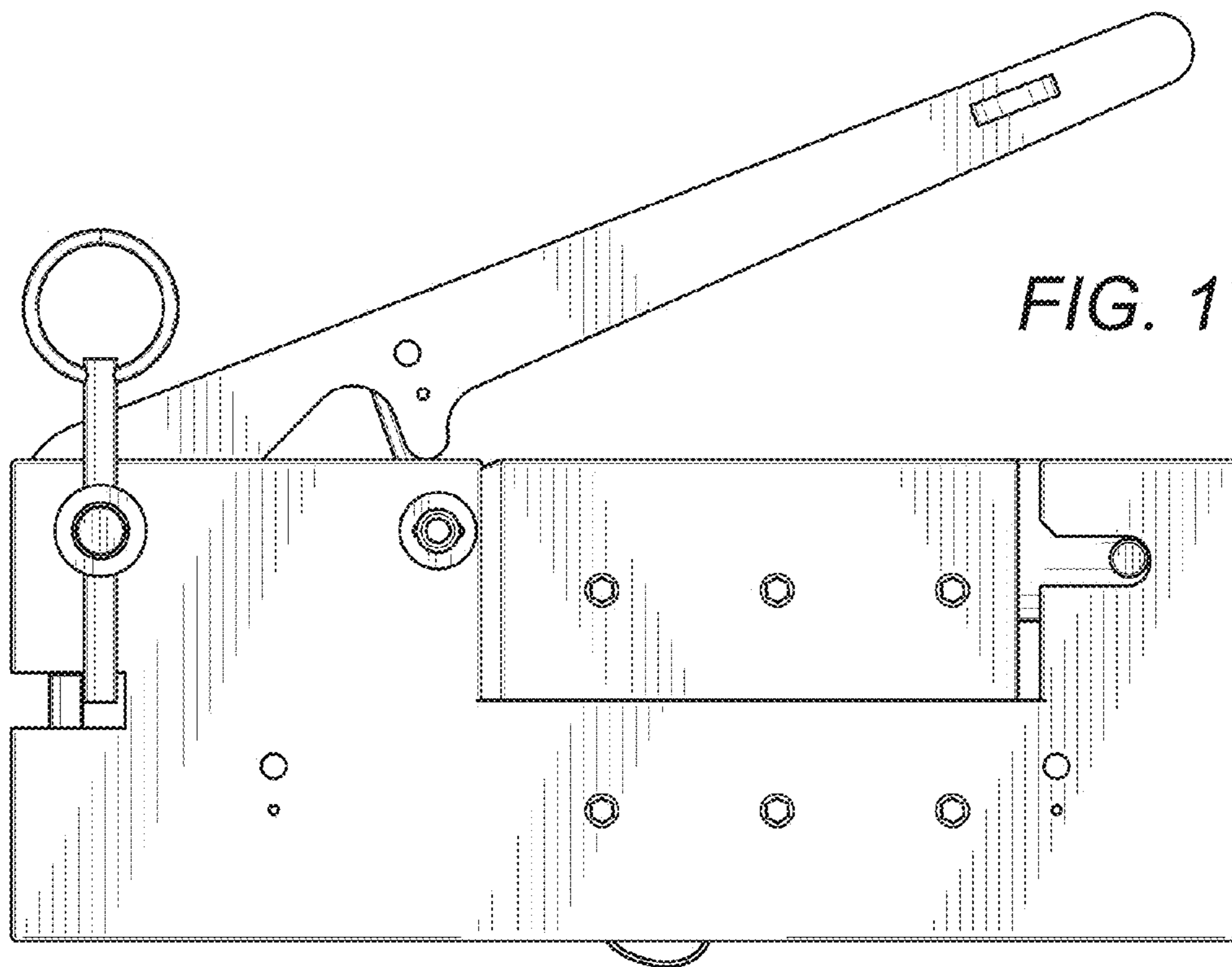


FIG. 17



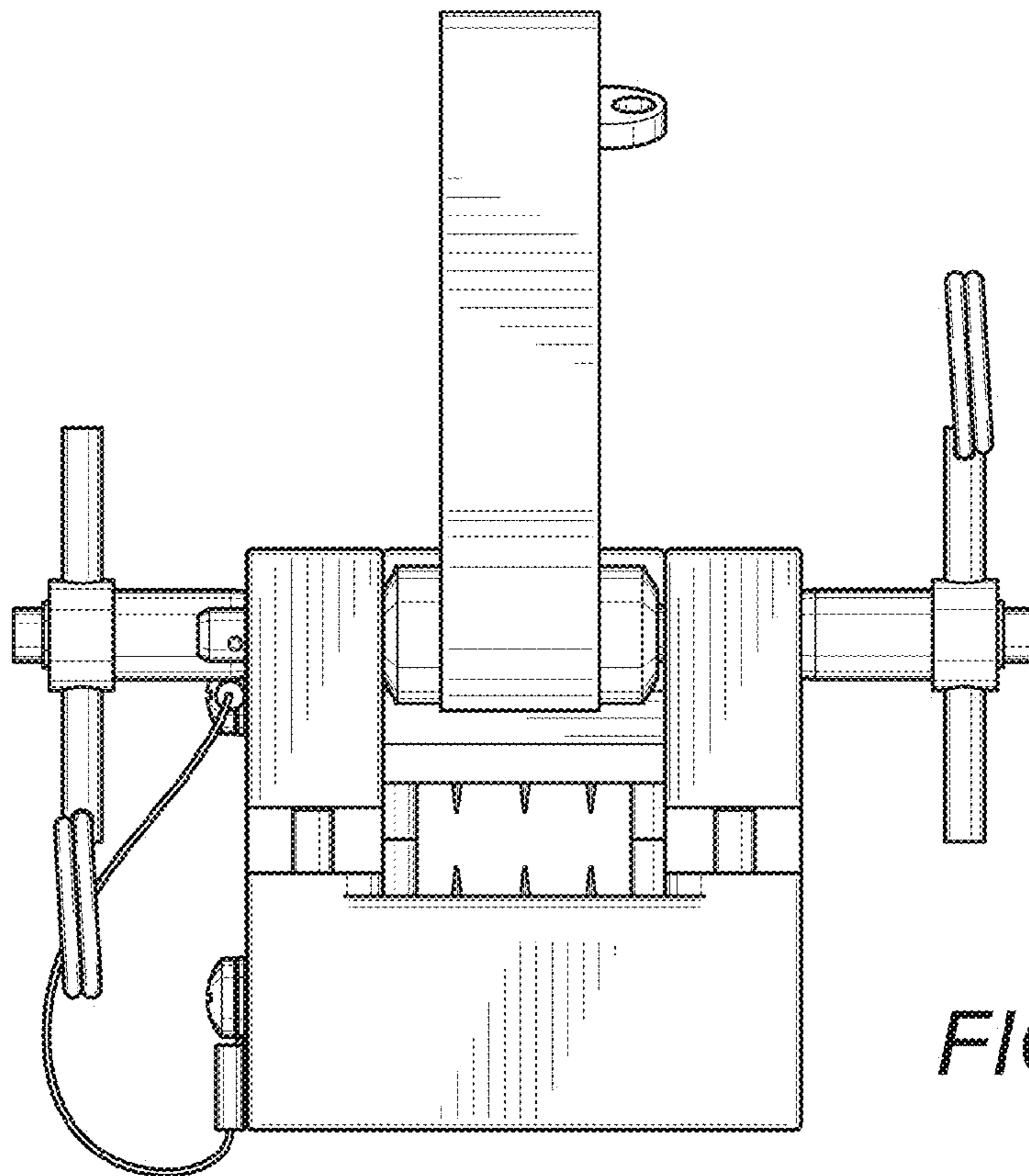


FIG. 18

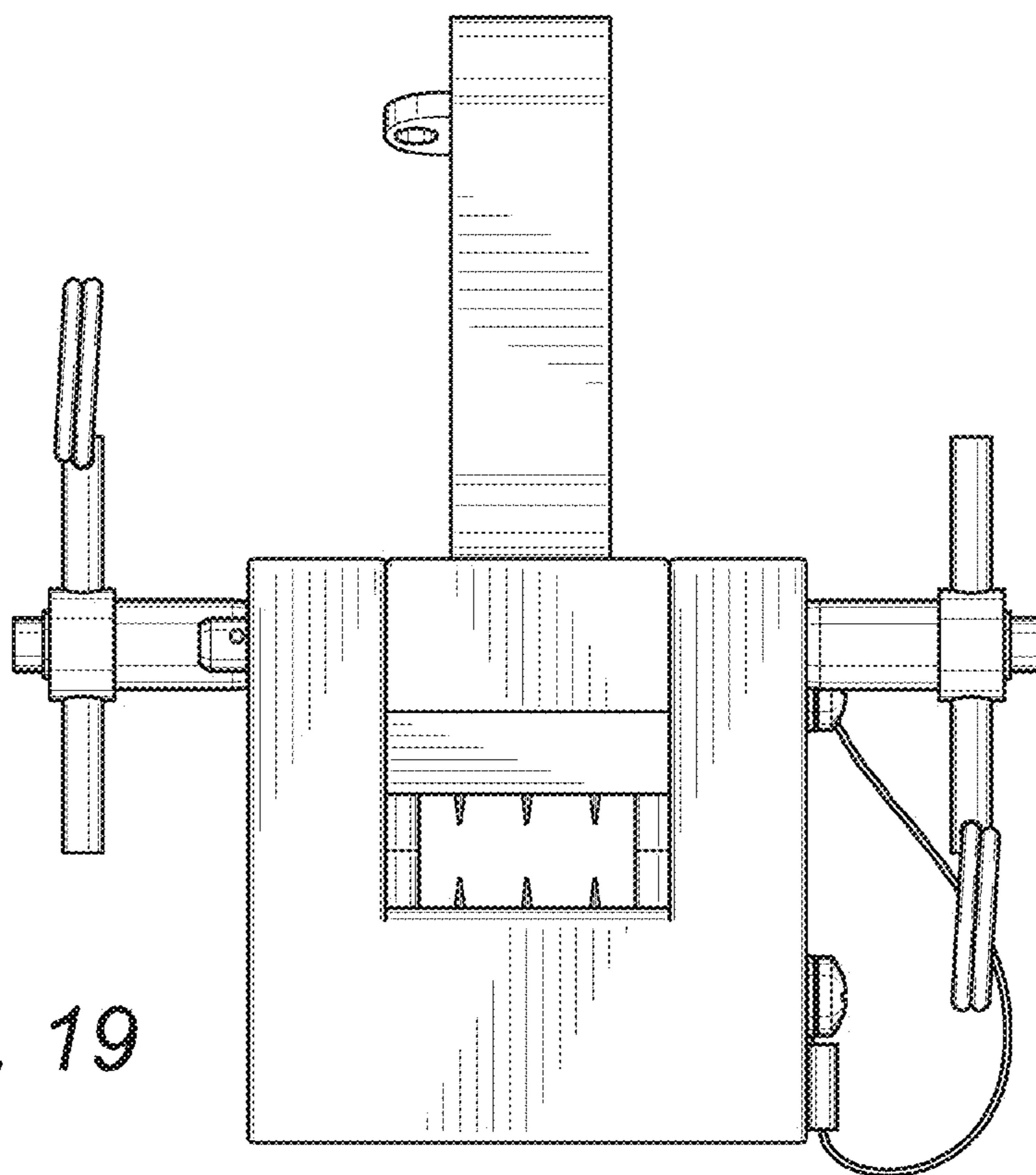


FIG. 19

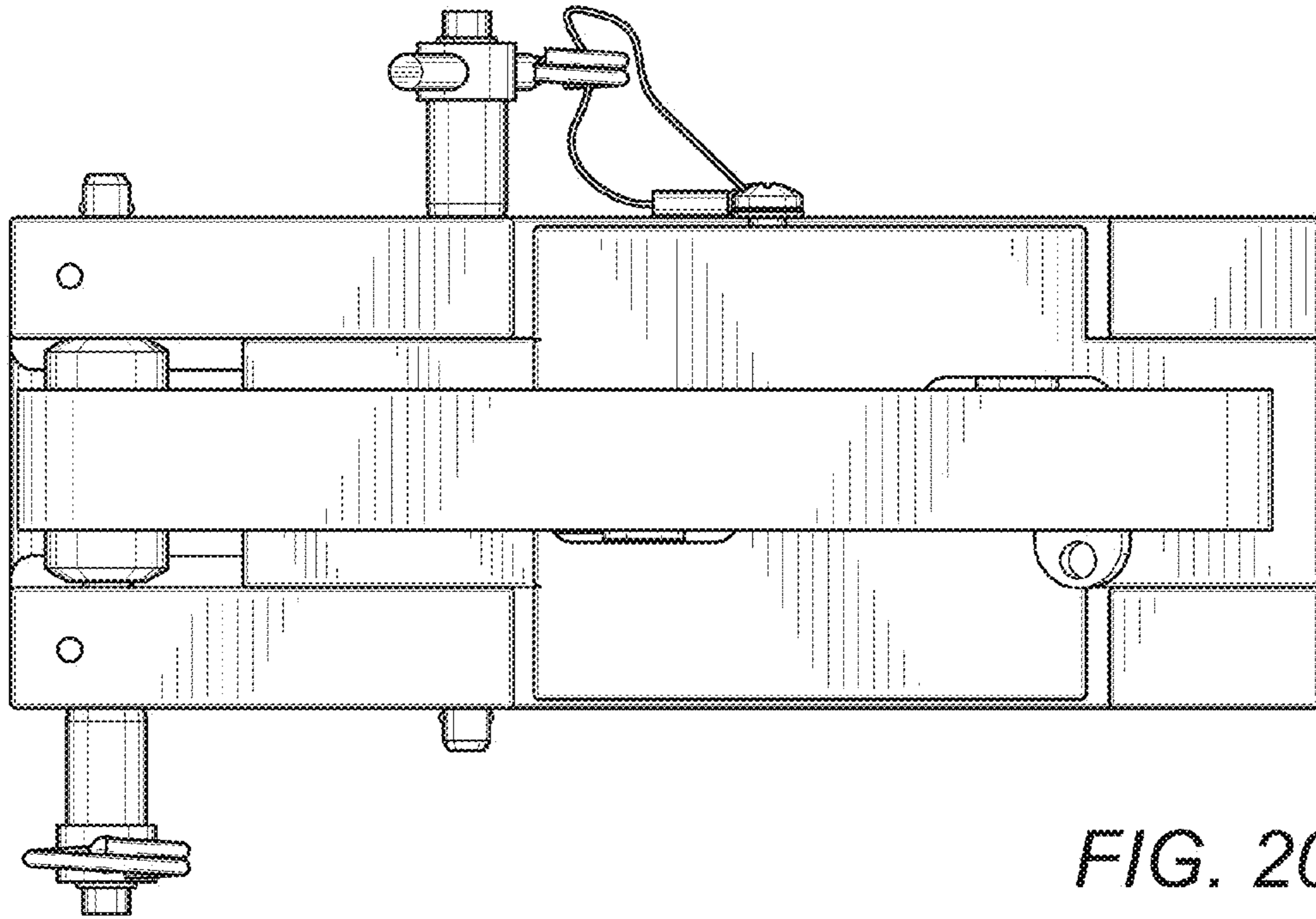


FIG. 20

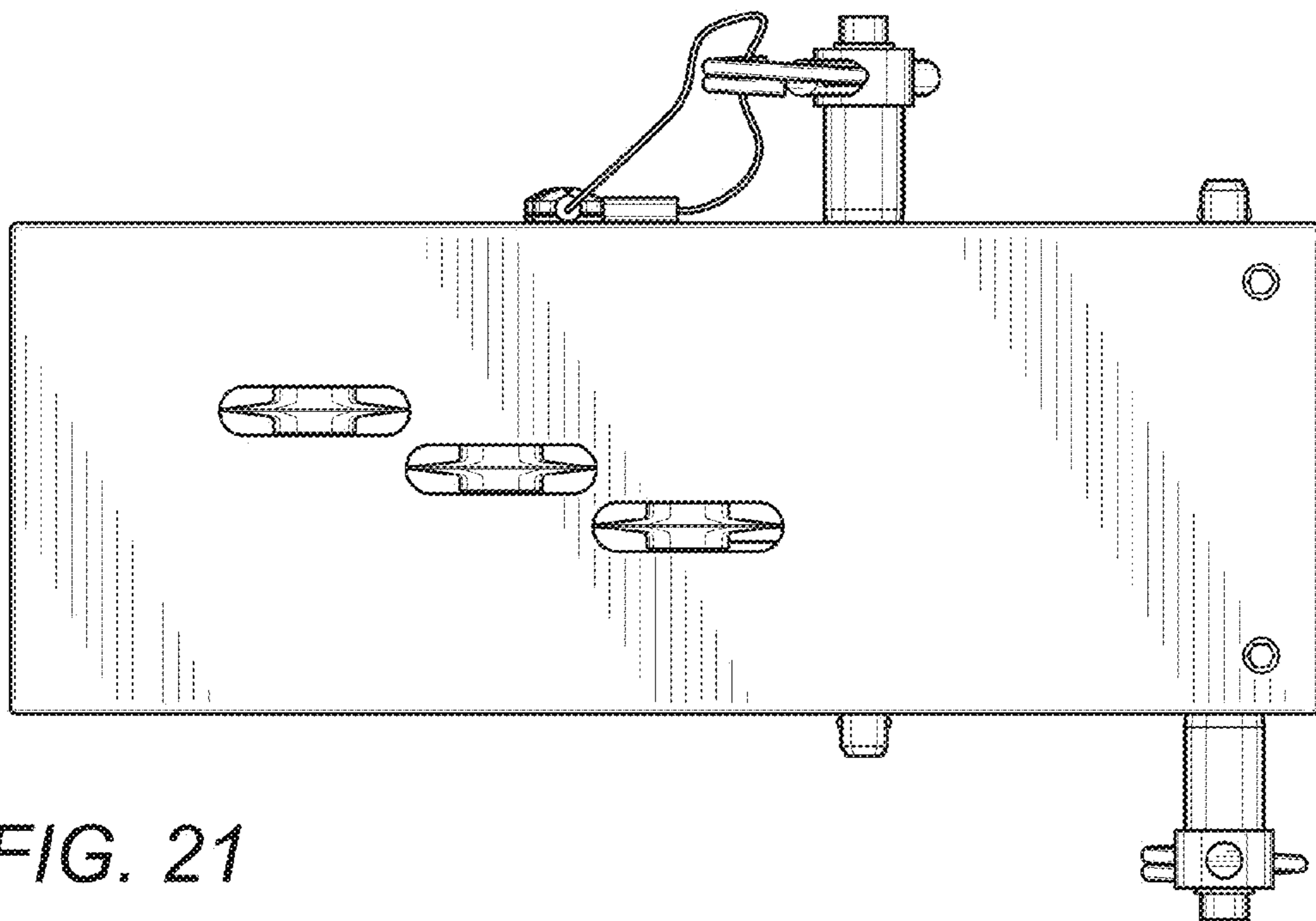


FIG. 21