



US00D760566S

(12) **United States Design Patent**  
**Biec**

(10) **Patent No.:** **US D760,566 S**

(45) **Date of Patent:** **\*\* Jul. 5, 2016**

(54) **WEDGE AND CLIP SET**

(71) Applicant: **Edmund Biec**, Mississauga (CA)

(72) Inventor: **Edmund Biec**, Mississauga (CA)

(\*\*) Term: **14 Years**

(21) Appl. No.: **29/524,572**

(22) Filed: **Apr. 21, 2015**

(51) **LOC (10) Cl.** ..... **08-05**

(52) **U.S. Cl.**  
USPC ..... **D8/47**

(58) **Field of Classification Search**  
USPC ..... D8/14, 47  
CPC ..... E04F 21/00; E04F 21/18; E04F 21/22;  
E04F 21/1877

See application file for complete search history.

(56) **References Cited**

**U.S. PATENT DOCUMENTS**

3,328,065	A *	6/1967	Arenson	.....	E05C 17/54 16/86 A
3,836,118	A *	9/1974	Meyer	.....	E06B 3/5409 254/104
D269,495	S	6/1983	Finn		
4,625,489	A	12/1986	Bögle		
4,688,363	A	8/1987	Sweeney et al.		
4,830,320	A *	5/1989	Bellows	.....	F16M 7/00 248/188.2
4,908,952	A	3/1990	Joos		
D406,028	S *	2/1999	Montgomery	.....	D8/402
6,616,128	B2 *	9/2003	Selzer	.....	A62B 3/005 254/104
D538,150	S *	3/2007	Burns	.....	D8/402
7,784,751	B1 *	8/2010	Bellows	.....	A47B 91/00 248/188.2
7,992,354	B2 *	8/2011	Doda, Jr.	.....	E04F 13/0892 52/127.7
8,429,878	B1 *	4/2013	Hoffman	.....	E04F 21/22 52/747.11
8,429,879	B1	4/2013	Hoffman et al.		
8,671,628	B2 *	3/2014	Sighinolfi	.....	E04F 21/0092 33/527

8,800,246	B2	8/2014	Gorton		
8,887,475	B2 *	11/2014	Ghelfi	.....	E04F 21/0092 52/749.11
9,045,911	B2 *	6/2015	Hoffman	.....	E04F 21/20
2008/0236094	A1	10/2008	Doda		
2013/0055675	A1	3/2013	Sighinolfi		
2014/0033640	A1	2/2014	Gorton		
2014/0116001	A1	5/2014	Ghelfi		

**FOREIGN PATENT DOCUMENTS**

JP	2012167428	A	9/2012
WO	2011121476	A1	10/2011

\* cited by examiner

*Primary Examiner* — Phillip S Hyder

(74) *Attorney, Agent, or Firm* — McCarter & English, LLP

(57) **CLAIM**

The ornamental design for a wedge and clip set, as shown and described.

**DESCRIPTION**

FIG. 1 is a perspective view of a wedge showing the present invention;

FIG. 2 is a bottom, left side perspective view of the wedge;

FIG. 3 is a top view of the wedge;

FIG. 4 is a bottom view of the wedge;

FIG. 5 is a right side view of the wedge;

FIG. 6 is a left side view of the wedge;

FIG. 7 is a front view of the wedge;

FIG. 8 is a back view of the wedge;

FIG. 9 is a perspective view of a clip showing the present invention;

FIG. 10 is a bottom, left side perspective view of the clip;

FIG. 11 is a front view of the clip;

FIG. 12 is a rear view of the clip;

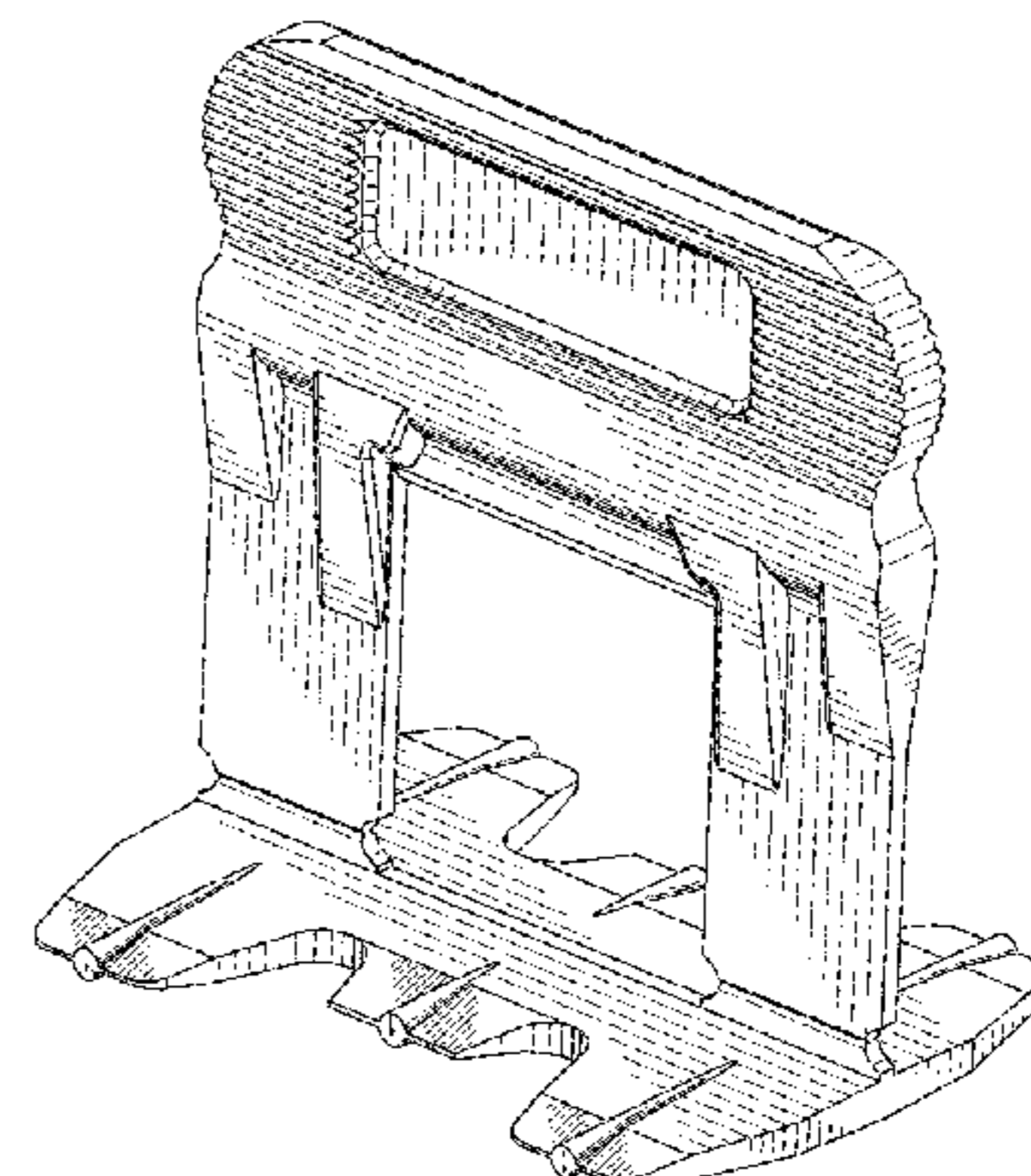
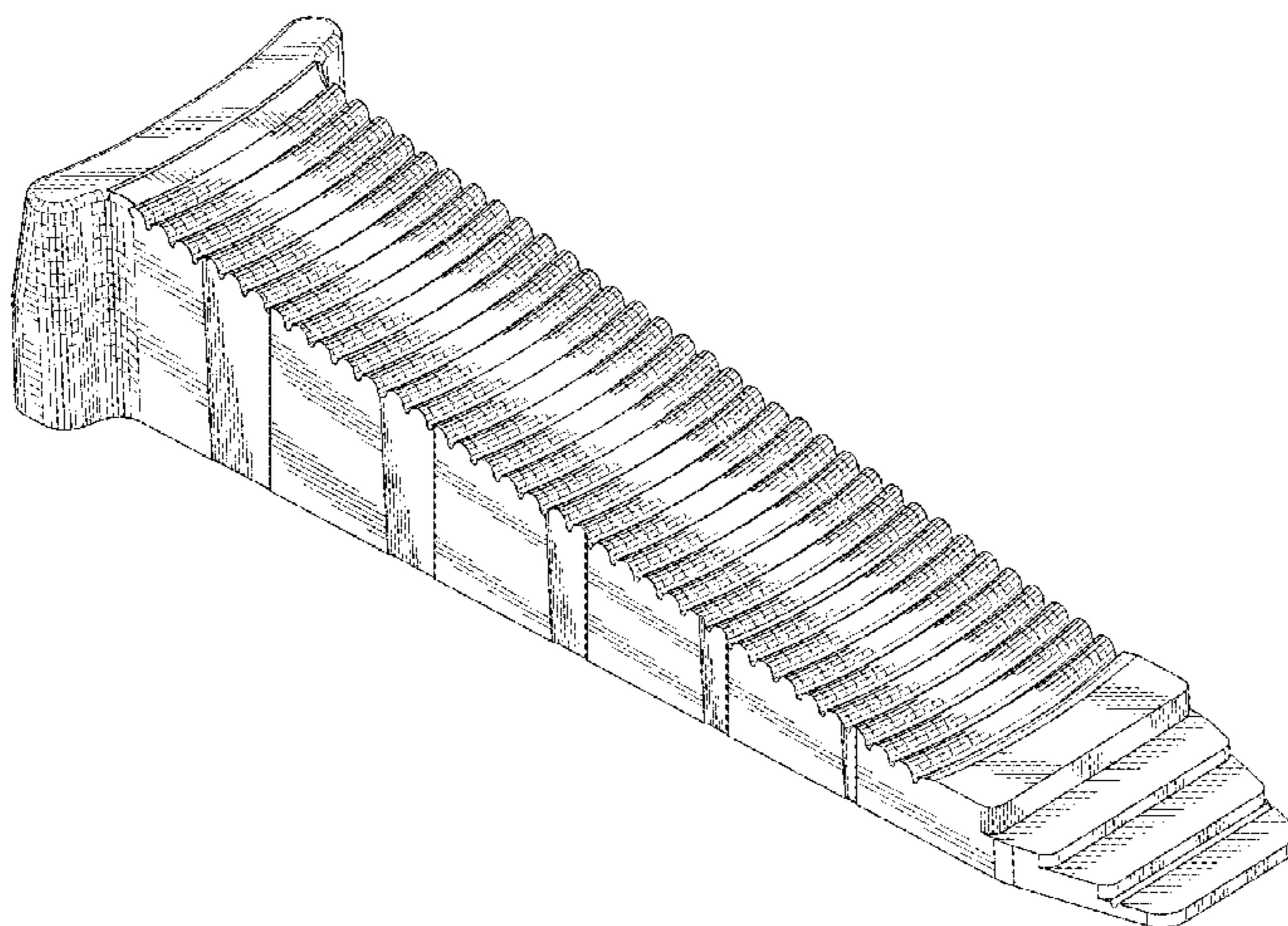
FIG. 13 is a top view of the clip;

FIG. 14 is a bottom view of the clip;

FIG. 15 is a right side view of the clip; and,

FIG. 16 is a left side view of the clip.

**1 Claim, 8 Drawing Sheets**





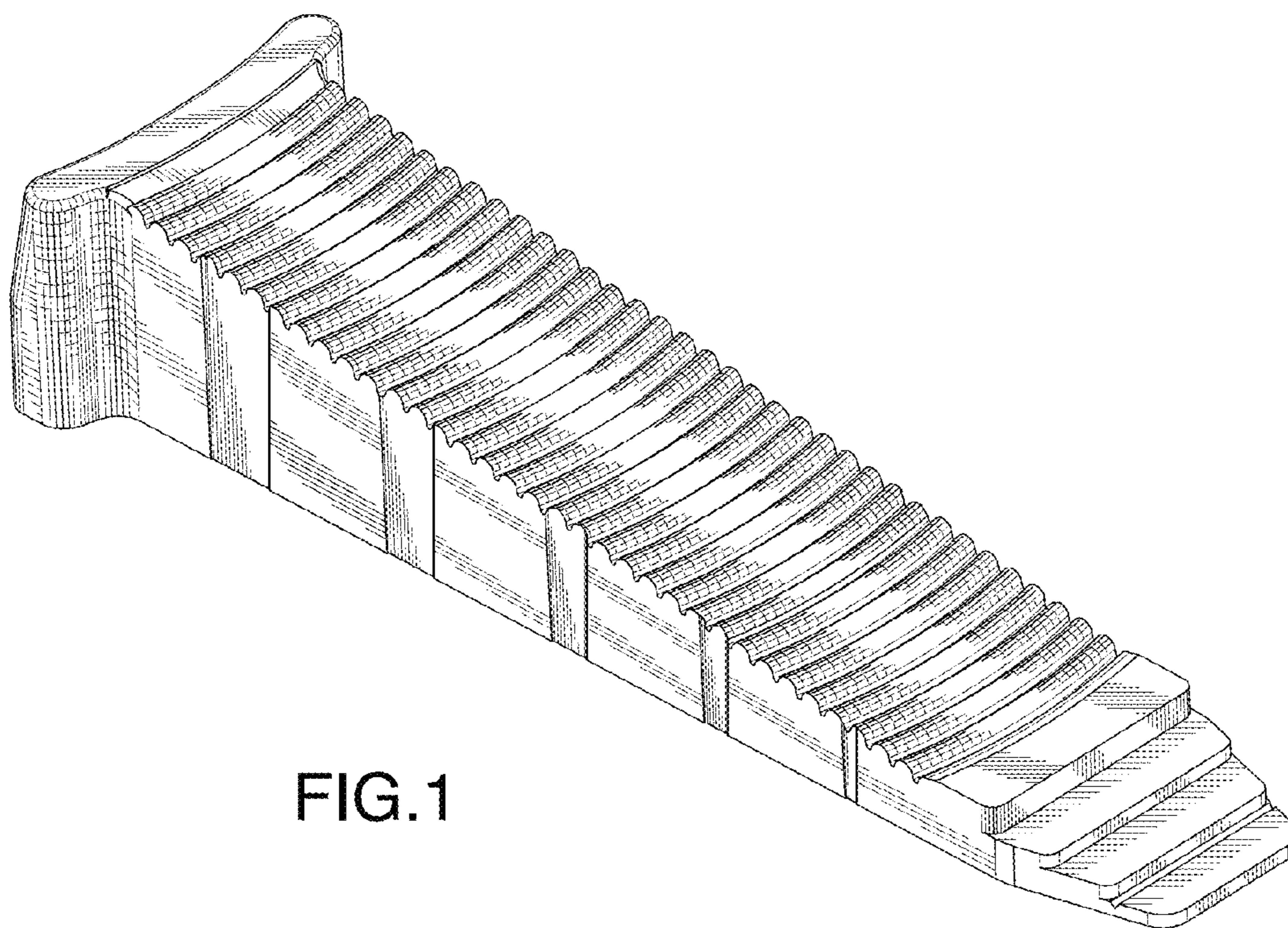


FIG. 1

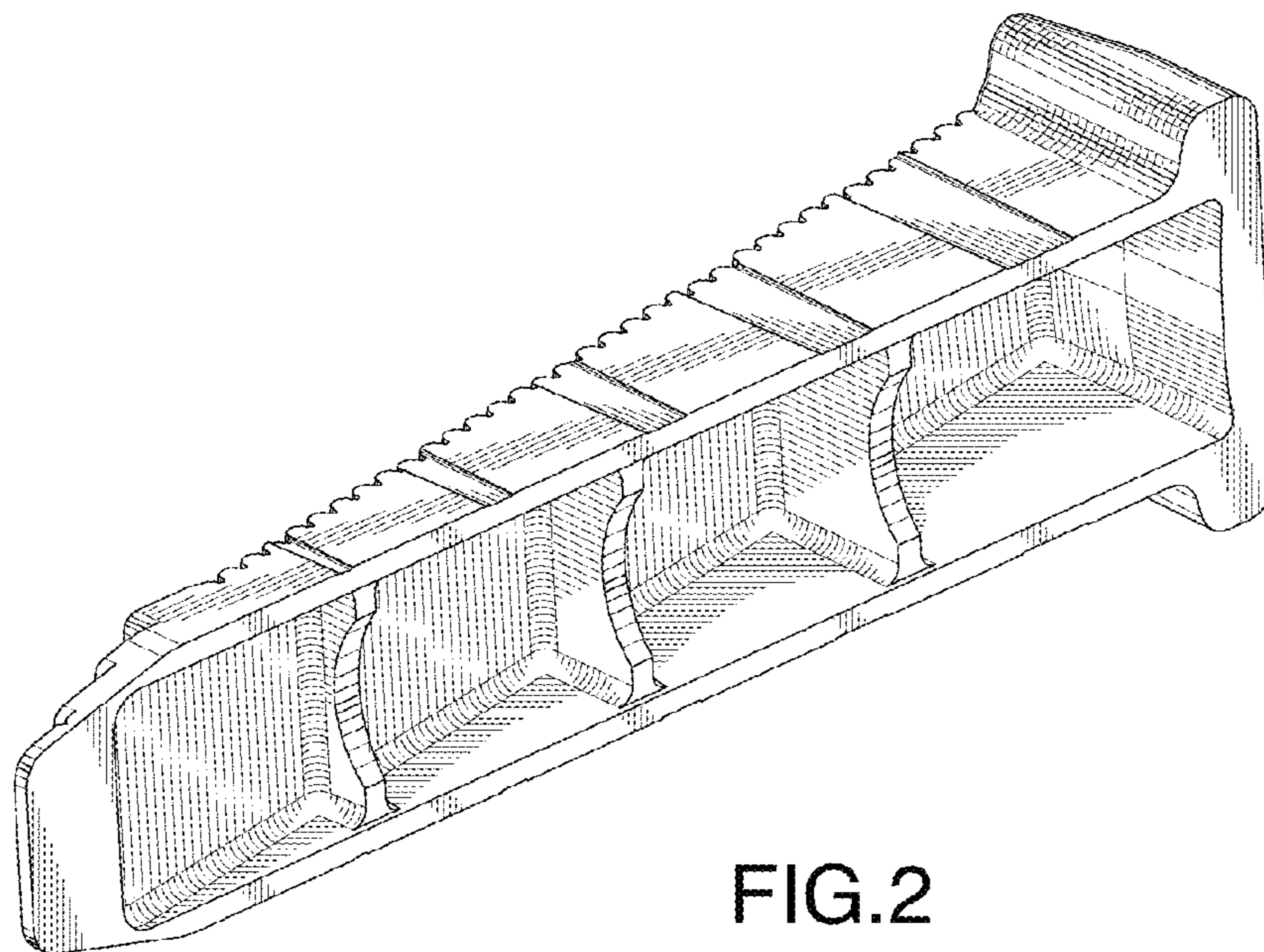


FIG. 2

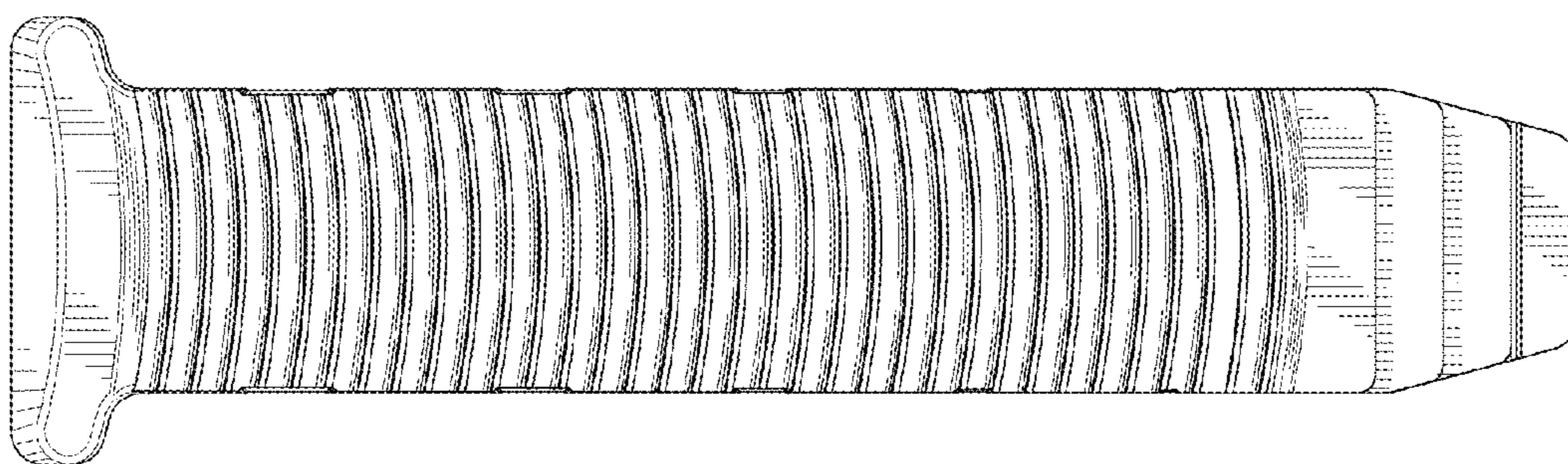


FIG. 3

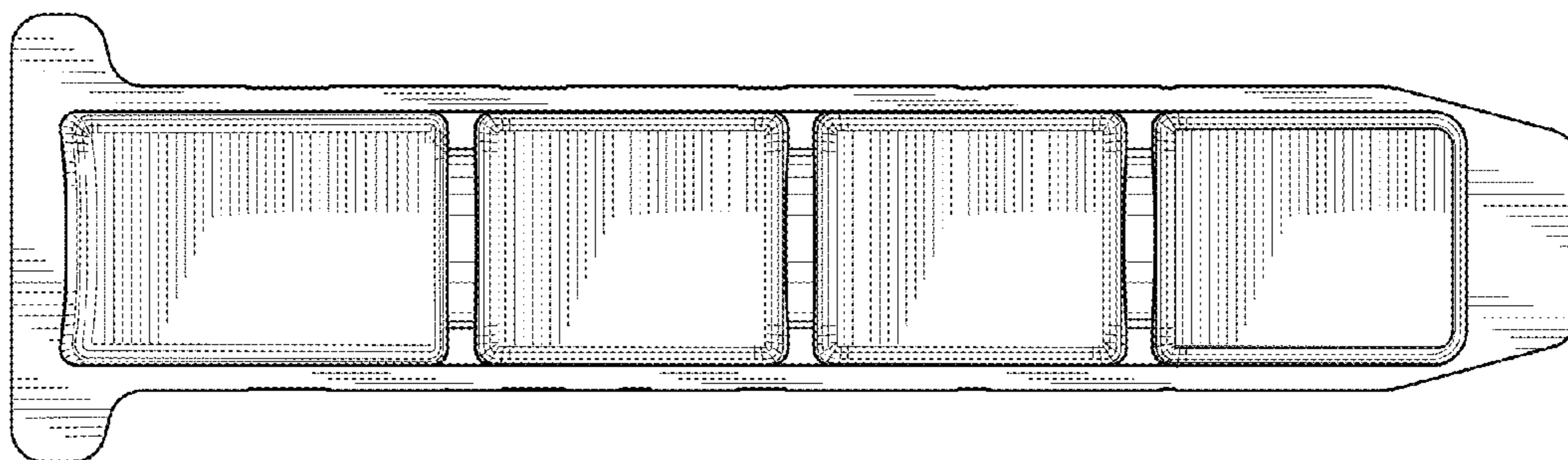


FIG. 4

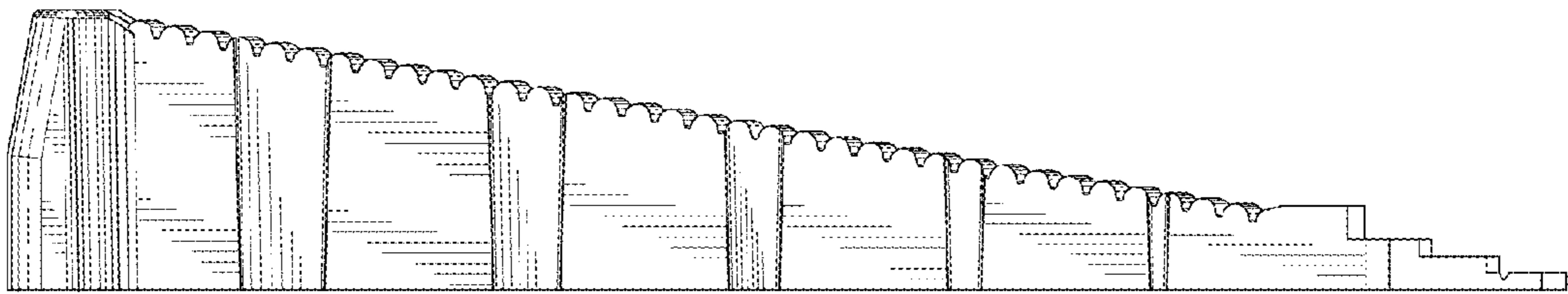


FIG. 5

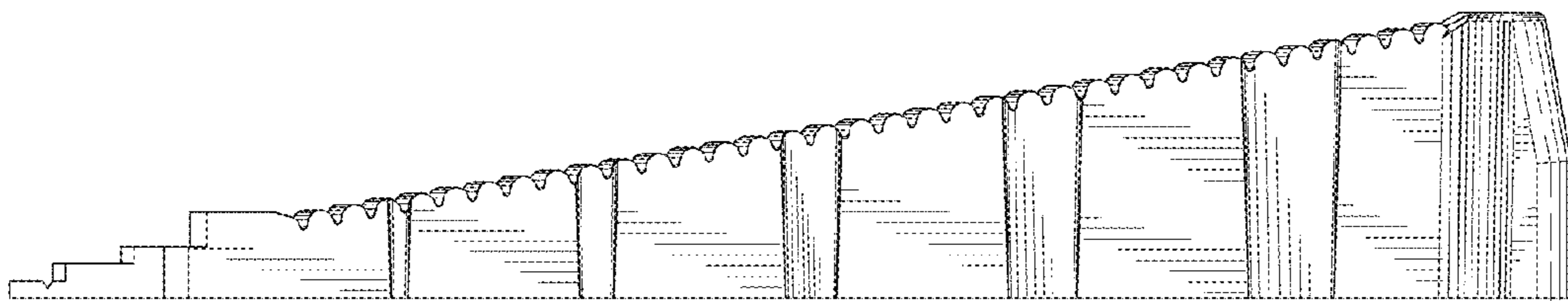


FIG. 6

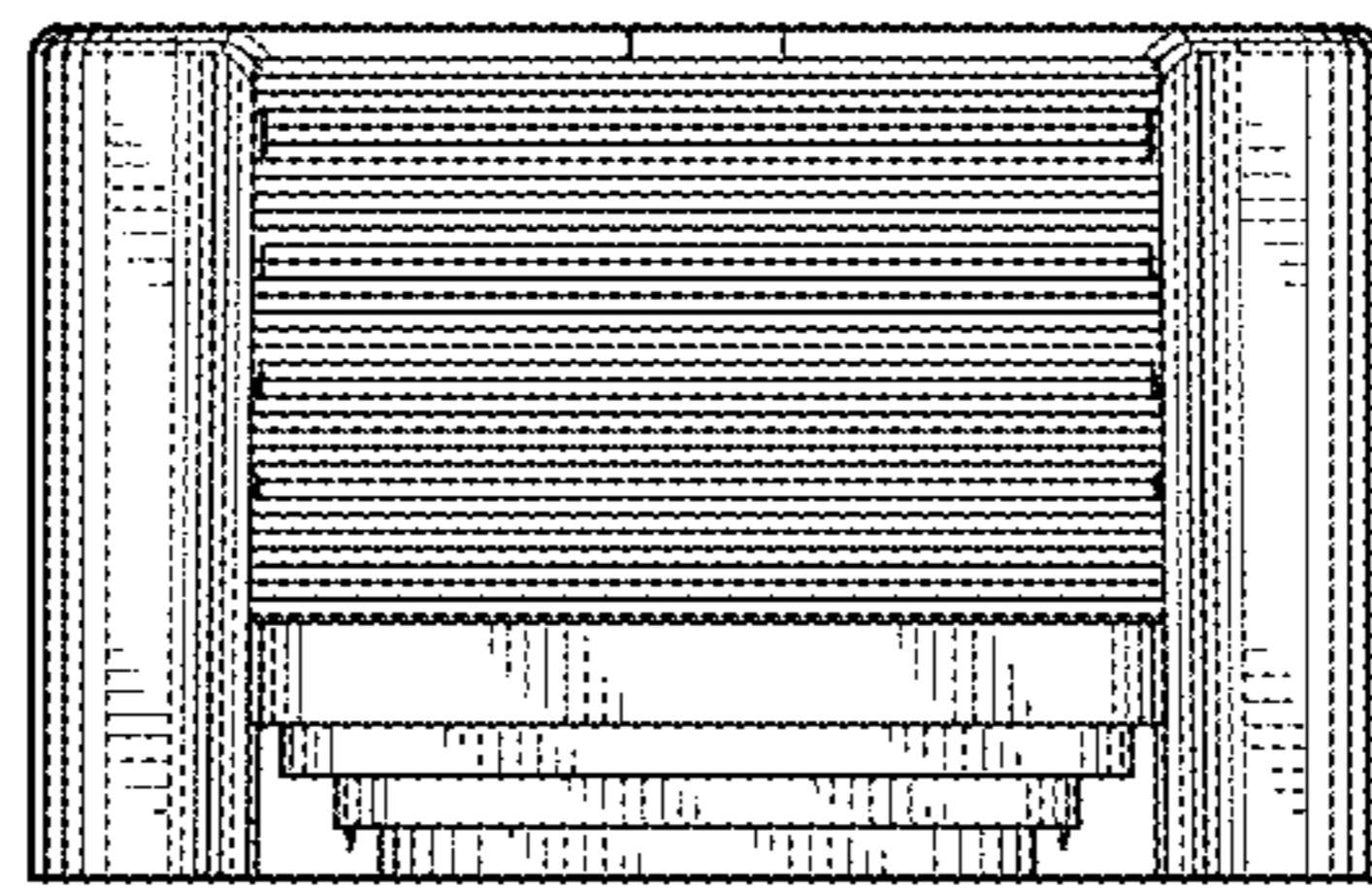


FIG. 7

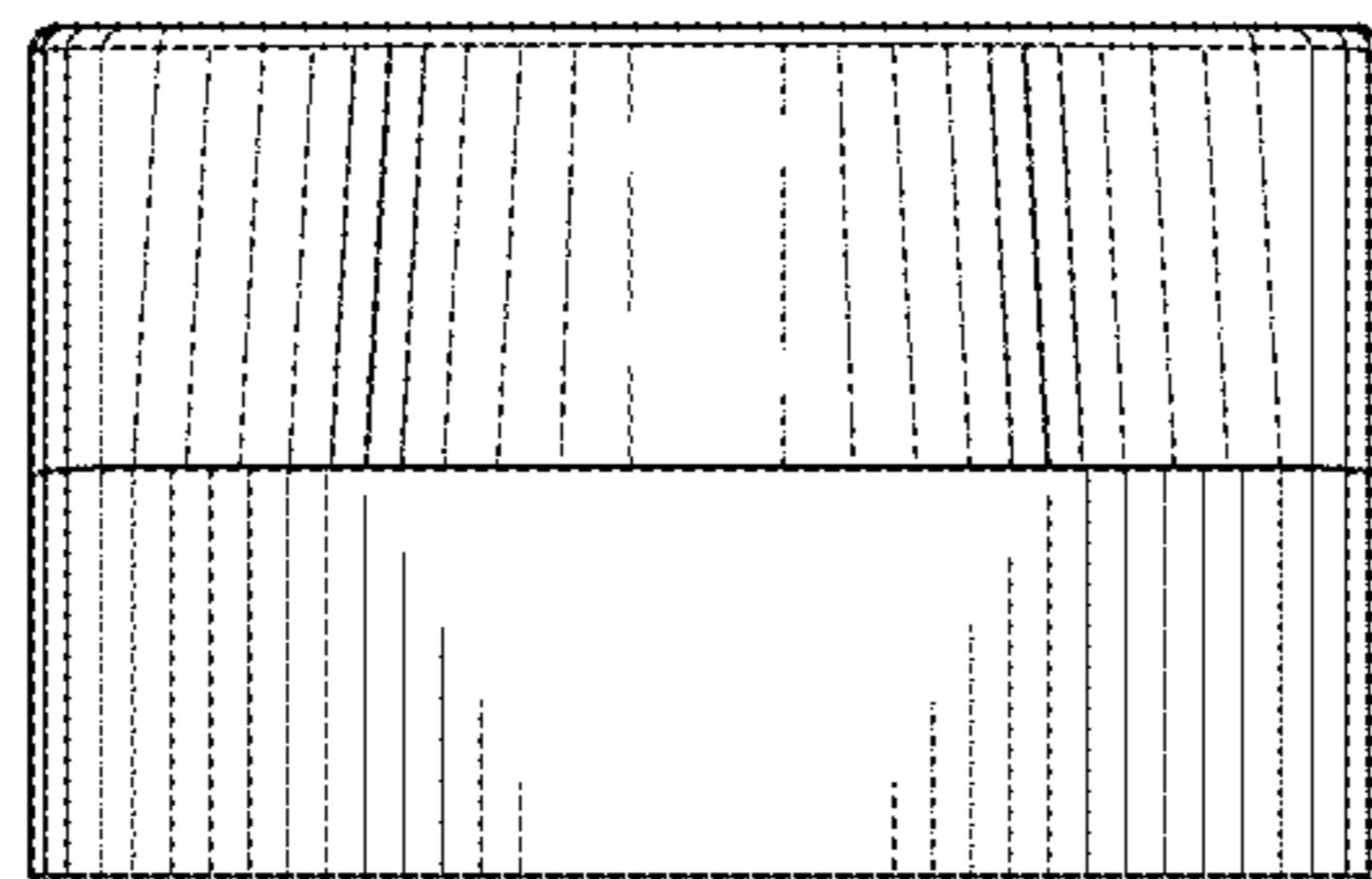


FIG. 8



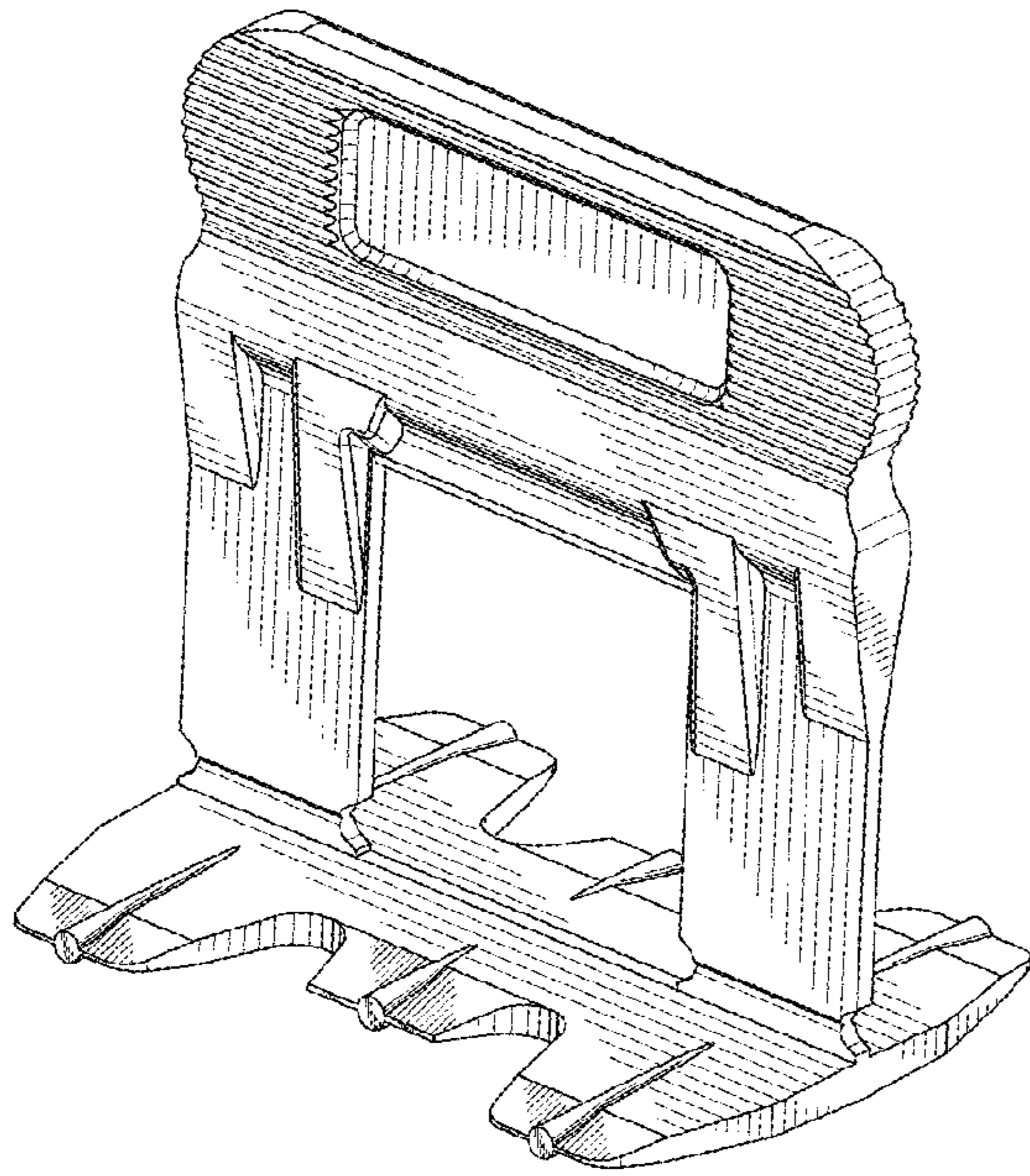


FIG.9

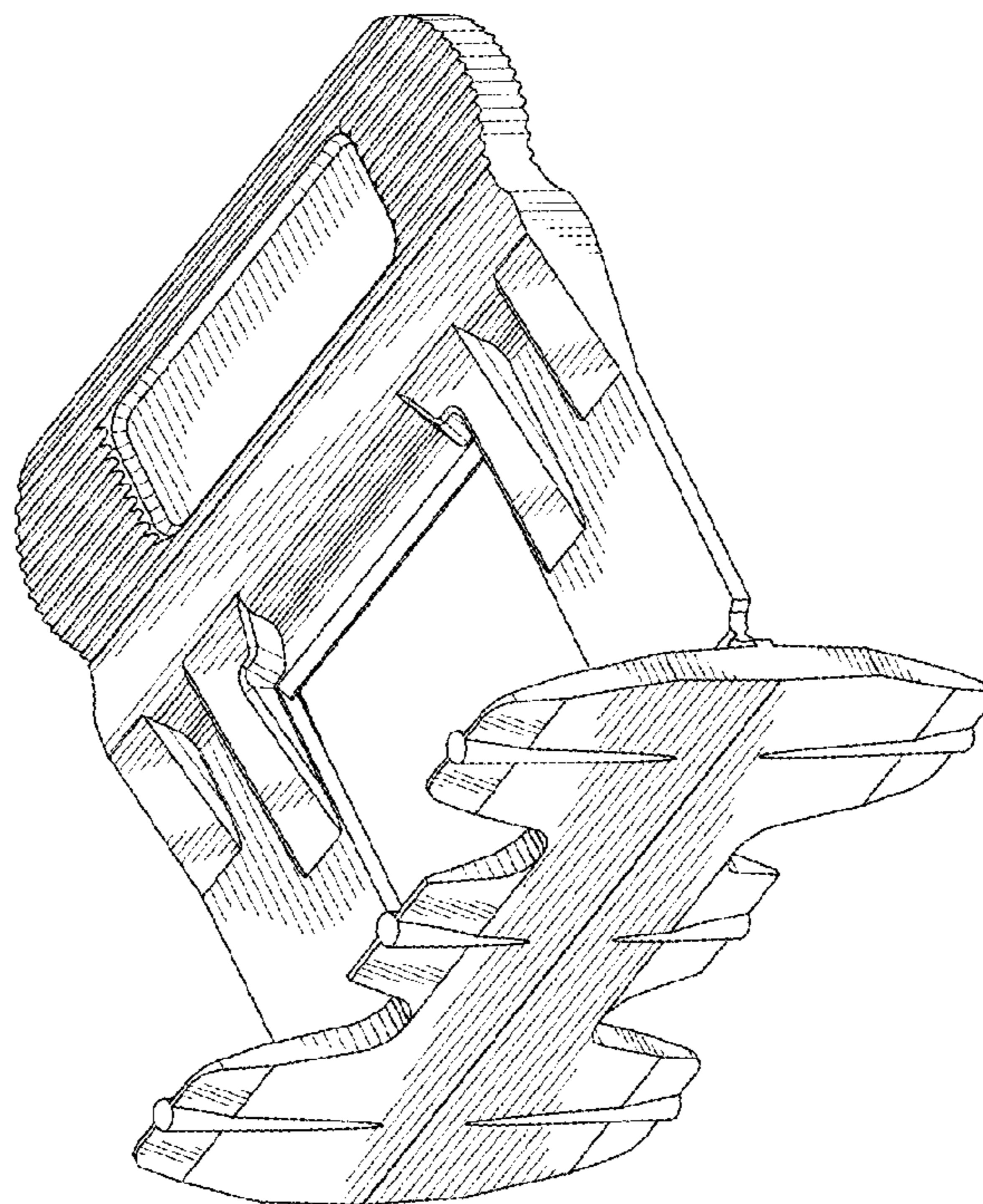


FIG.10

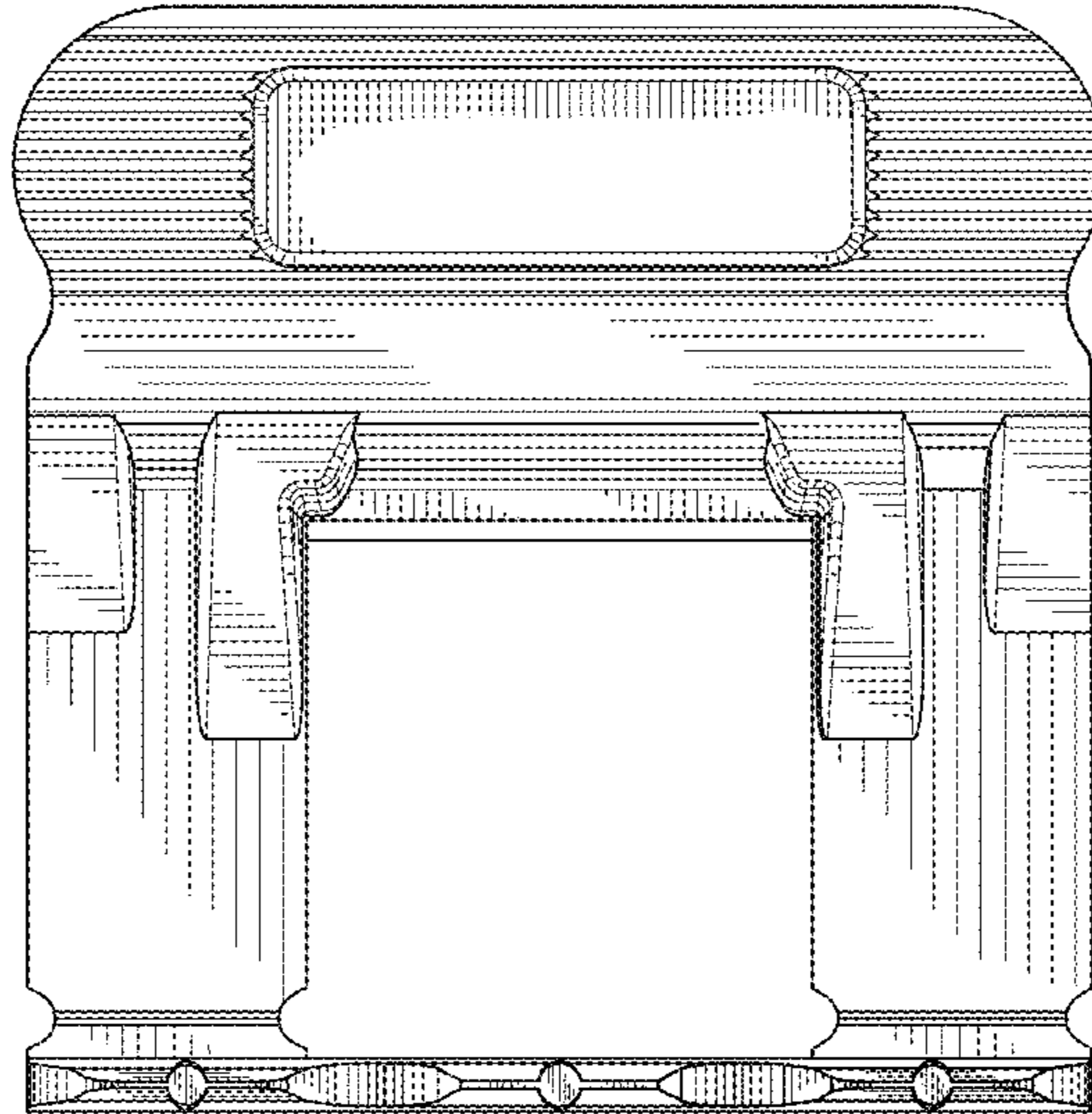


FIG. 11

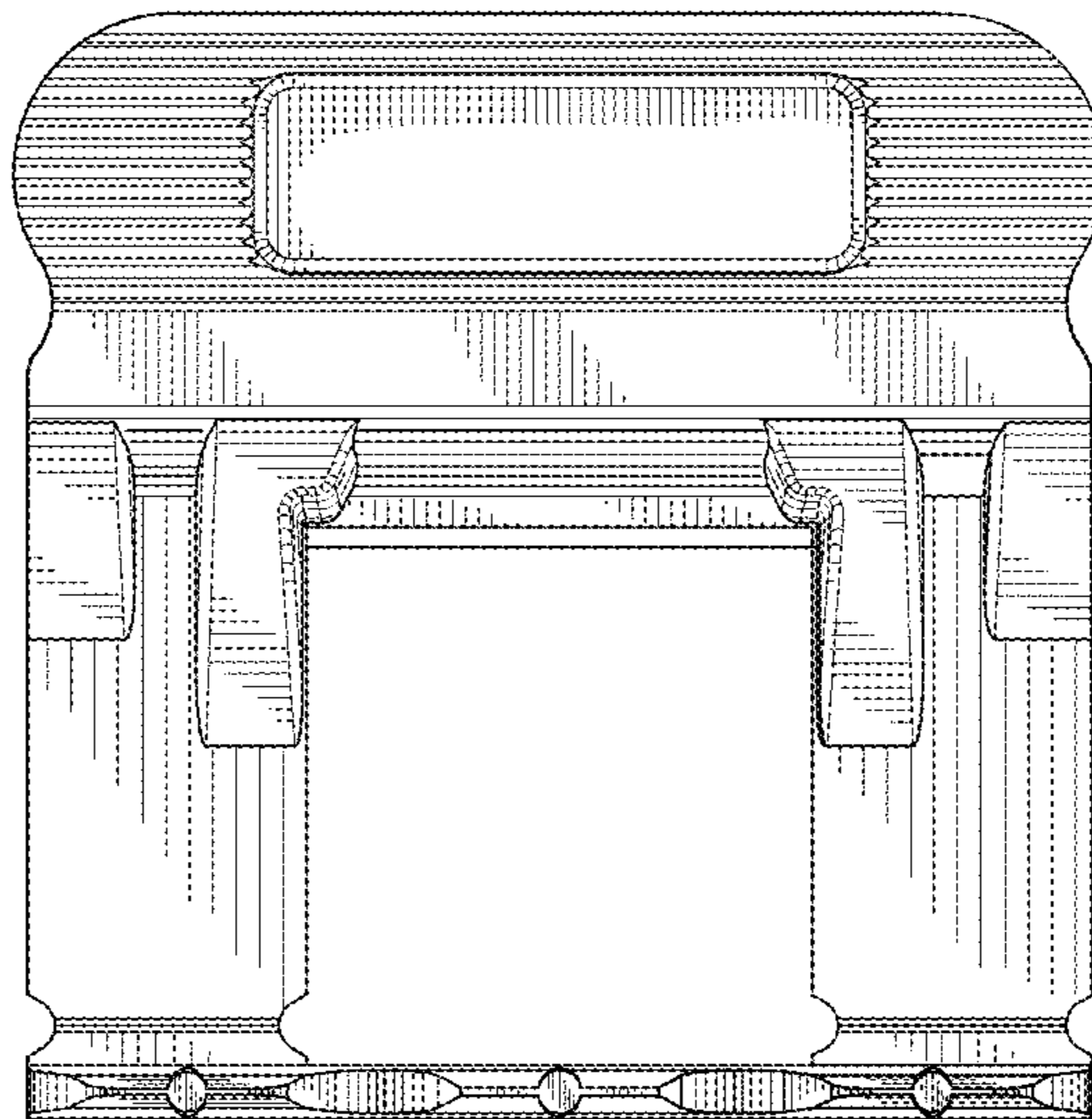


FIG. 12

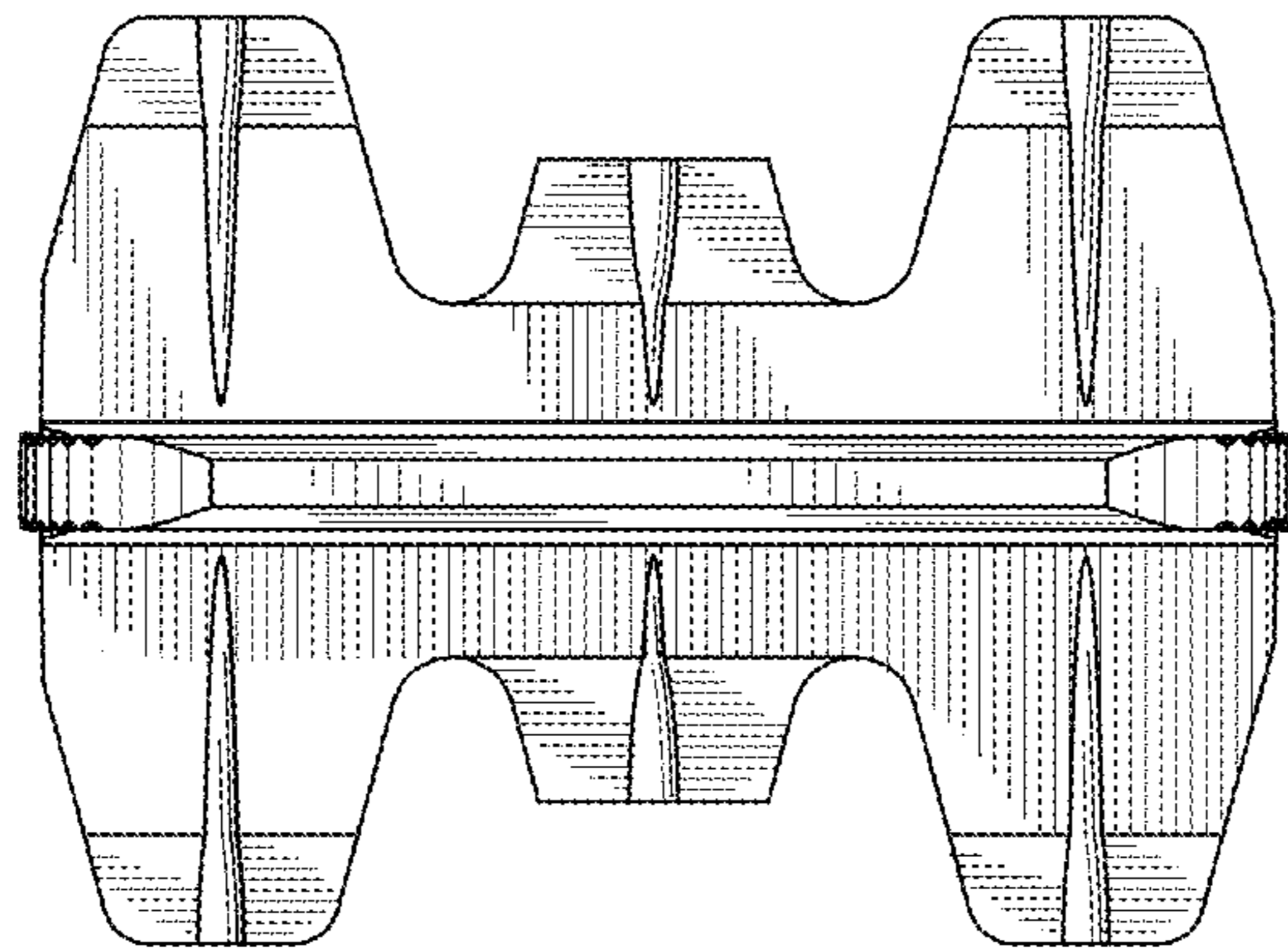


FIG. 13

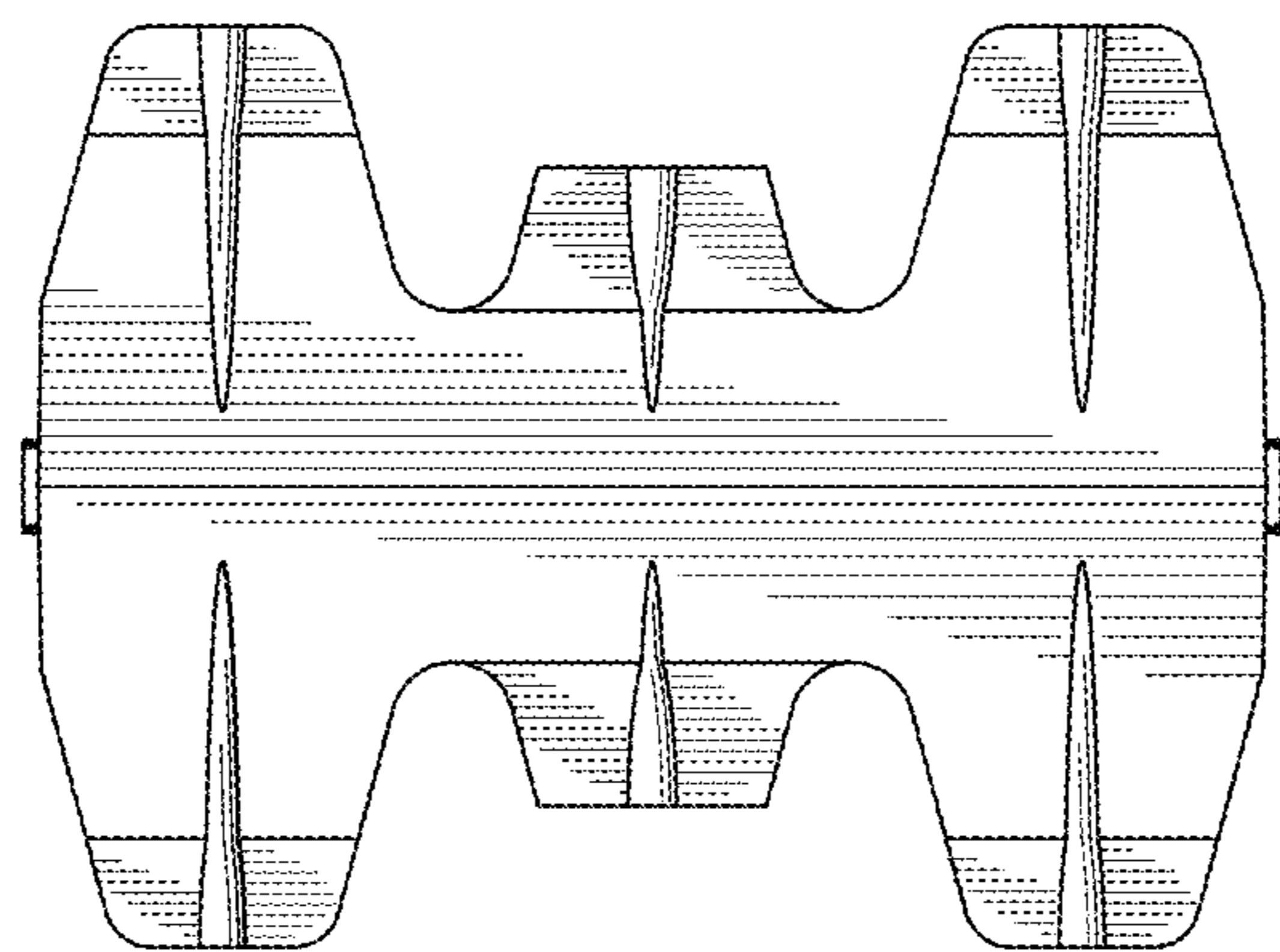


FIG. 14



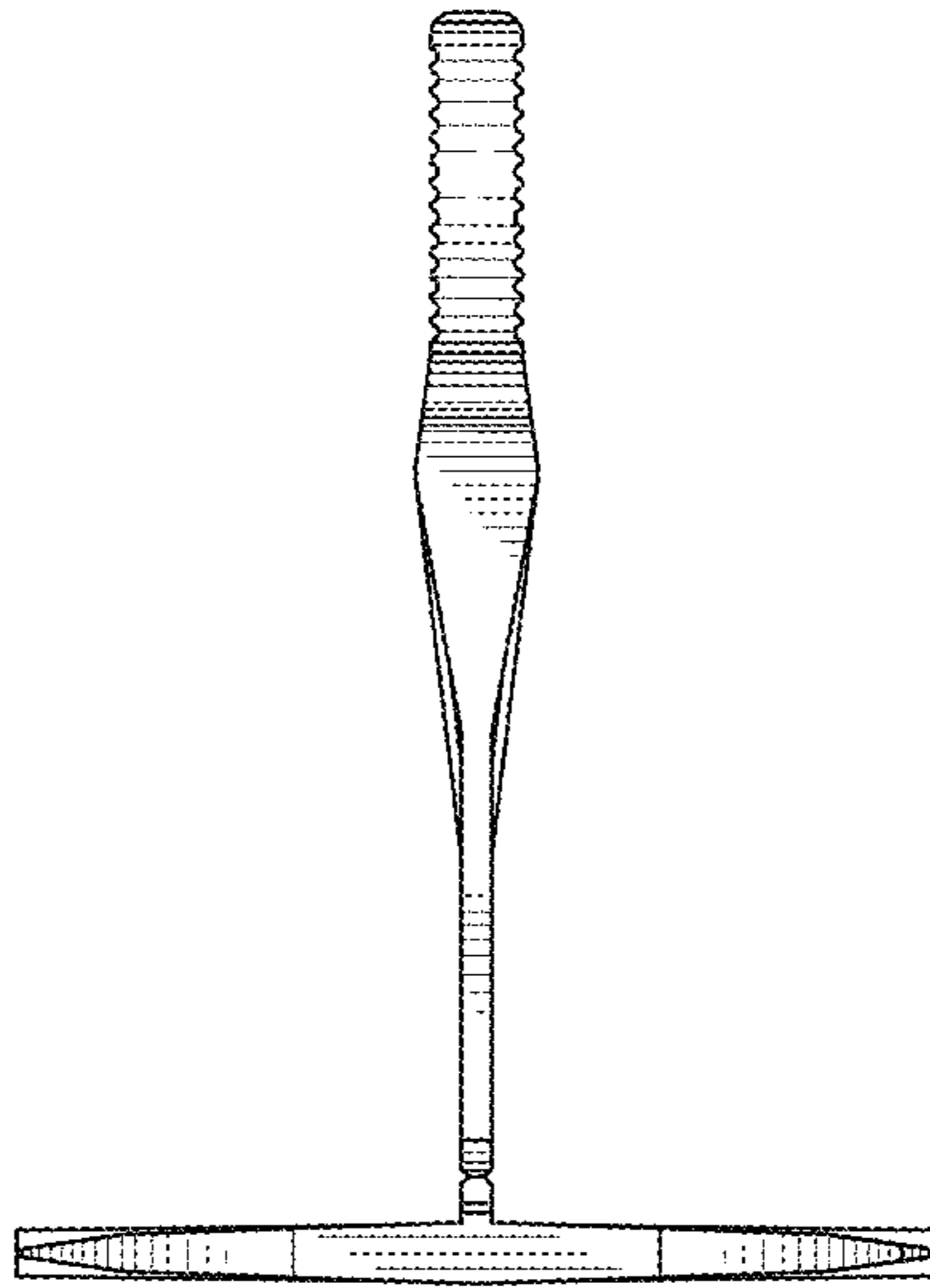


FIG. 15

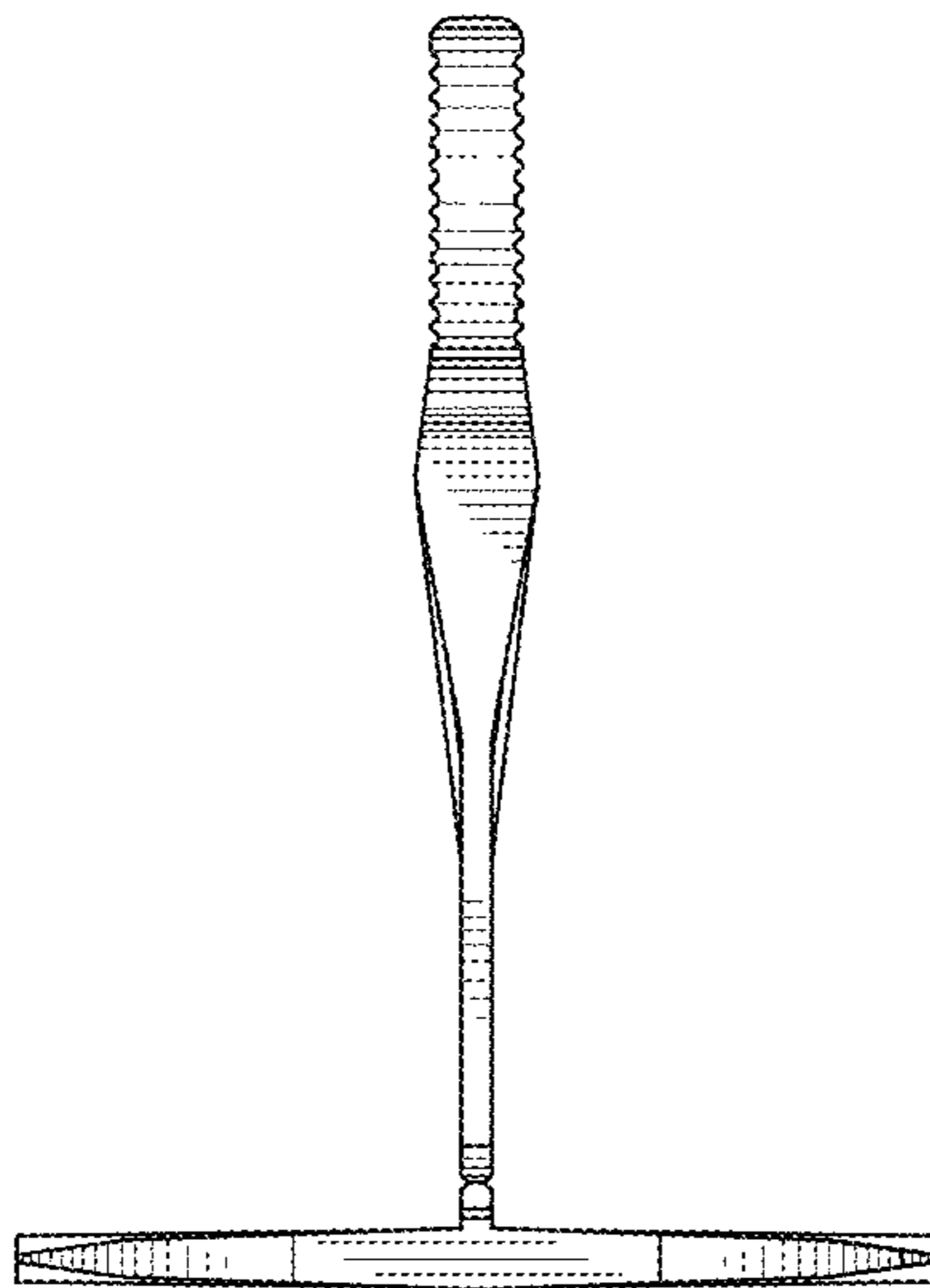


FIG. 16