



US00D760560S

(12) **United States Design Patent**  
**Chosovich**

(10) **Patent No.:** **US D760,560 S**  
(45) **Date of Patent:** **\*\* Jul. 5, 2016**

(54) **WINE RACK AND SHELF**

(71) Applicant: **Fadil Chosovich**, Chicago, IL (US)

(72) Inventor: **Fadil Chosovich**, Chicago, IL (US)

(\*\*) Term: **14 Years**

(21) Appl. No.: **29/506,846**

(22) Filed: **Oct. 21, 2014**

(51) **LOC (10) Cl.** ..... **07-06**

(52) **U.S. Cl.**

USPC ..... **D7/701**

(58) **Field of Classification Search**

USPC ..... D7/213, 590, 601, 602, 620, 701, 704;  
D11/143; 211/41.2, 71.01, 74-77

CPC .... A47B 73/006; A47B 73/008; A47B 45/00;  
A47B 96/02; A47F 7/28; B01L 9/06

See application file for complete search history.

(56) **References Cited**

**U.S. PATENT DOCUMENTS**

4,022,327	A	5/1977	Anderson	
D261,891	S *	11/1981	Thompson	..... D15/89
4,546,883	A	10/1985	Youngdale	
4,577,765	A	3/1986	Crosby	
4,660,727	A	4/1987	Levine	
4,700,849	A	10/1987	Wagner	

(Continued)

*Primary Examiner* — Thomas Johannes

*Assistant Examiner* — Bryan Reinholdt, Jr.

(74) *Attorney, Agent, or Firm* — Hanley, Flight & Zimmerman, LLC

(57) **CLAIM**

I claim the ornamental design for a wine rack and shelf, as shown and described.

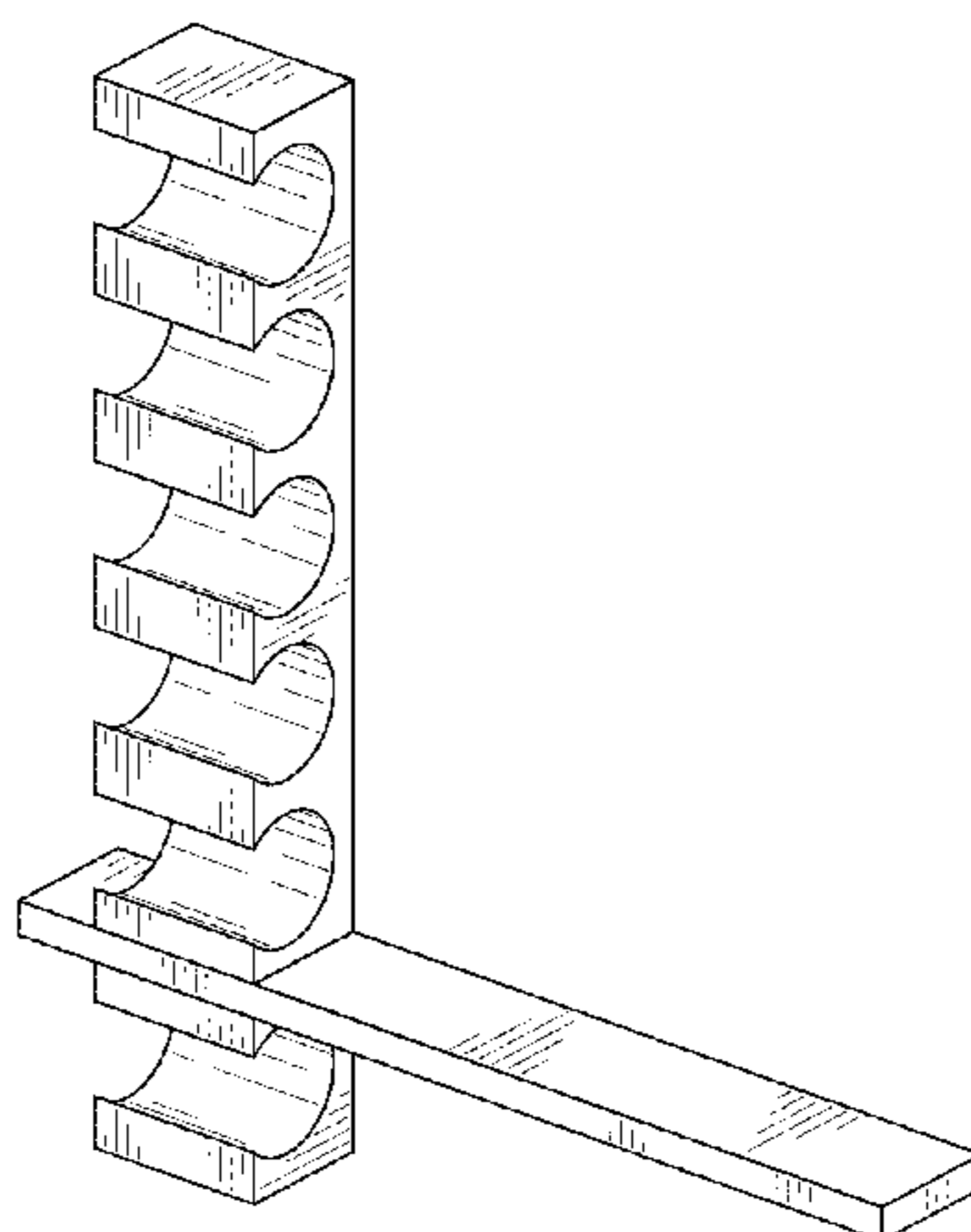
**DESCRIPTION**

FIG. 1 is a front right perspective view of a first embodiment of a wine rack and shelf showing my new design;

FIG. 2 is a front view thereof;  
 FIG. 3 is a rear view thereof;  
 FIG. 4 is a right side view thereof;  
 FIG. 5 is left side view thereof;  
 FIG. 6 is a top view thereof;  
 FIG. 7 is a bottom view thereof;  
 FIG. 8 is a front right perspective view thereof in a typical usage environment;  
 FIG. 9 is a front right perspective view thereof in an inverted usage position;  
 FIG. 10 is a front view thereof;  
 FIG. 11 is a rear view thereof;  
 FIG. 12 is a right side view thereof;  
 FIG. 13 is left side view thereof;  
 FIG. 14 is a top view thereof;  
 FIG. 15 is a bottom view thereof;  
 FIG. 16 is a front perspective view thereof in a typical usage environment;  
 FIG. 17 is a front right perspective view of a second embodiment of a wine rack and shelf;  
 FIG. 18 is a front view thereof;  
 FIG. 19 is a rear view thereof;  
 FIG. 20 is a right side view thereof;  
 FIG. 21 is left side view thereof;  
 FIG. 22 is a top view thereof;  
 FIG. 23 is a bottom view thereof;  
 FIG. 24 is a front right perspective view thereof in a typical usage environment;  
 FIG. 25 is a front right perspective view thereof in an inverted usage position;  
 FIG. 26 is a front view thereof;  
 FIG. 27 is a rear view thereof;  
 FIG. 28 is a right side view thereof;  
 FIG. 29 is left side view thereof;  
 FIG. 30 is a top view thereof;  
 FIG. 31 is a bottom view thereof; and,  
 FIG. 32 is a front perspective view thereof in a typical usage environment.

The features shown in broken lines form no part of the claimed design.

**1 Claim, 16 Drawing Sheets**



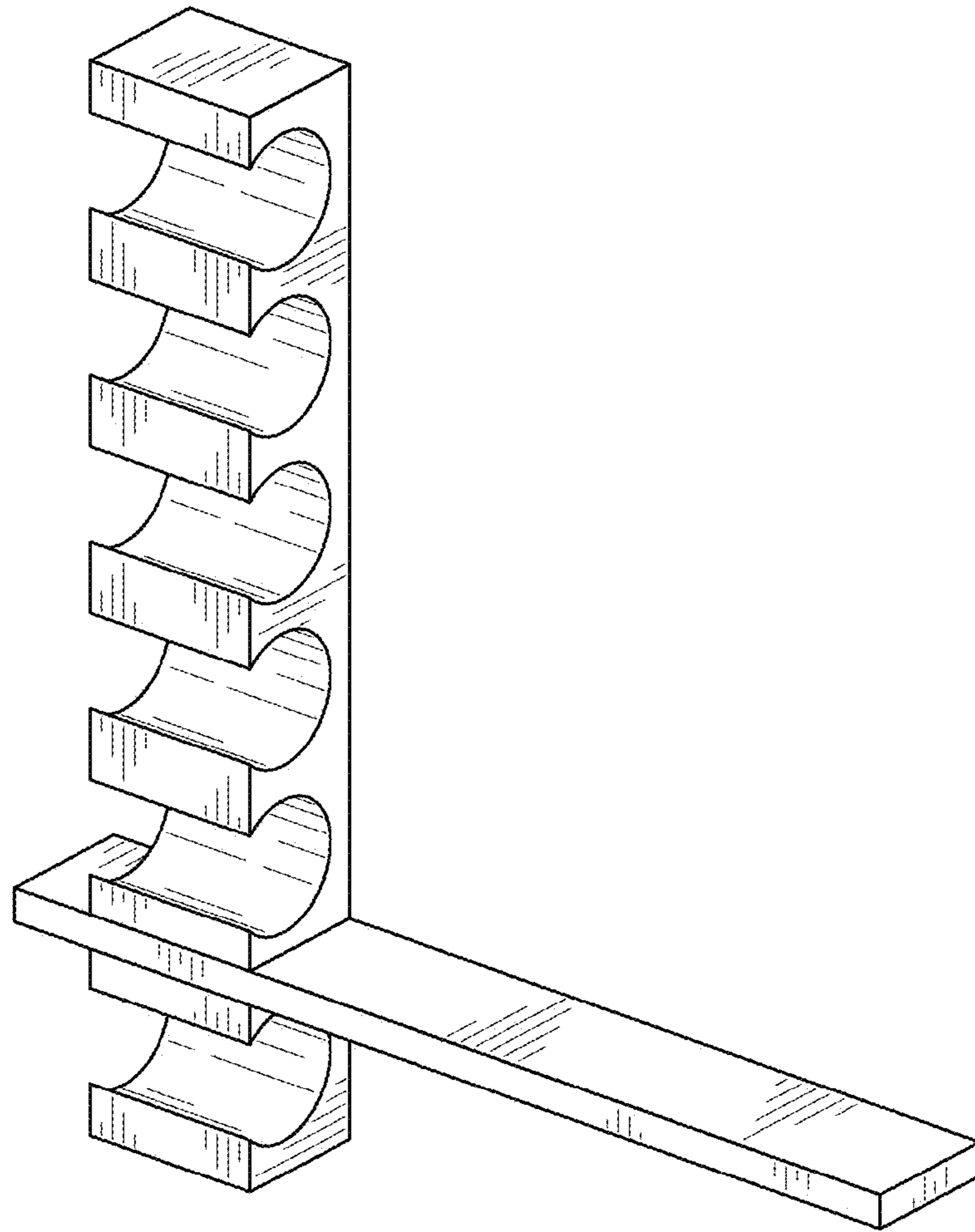
(56)

**References Cited**

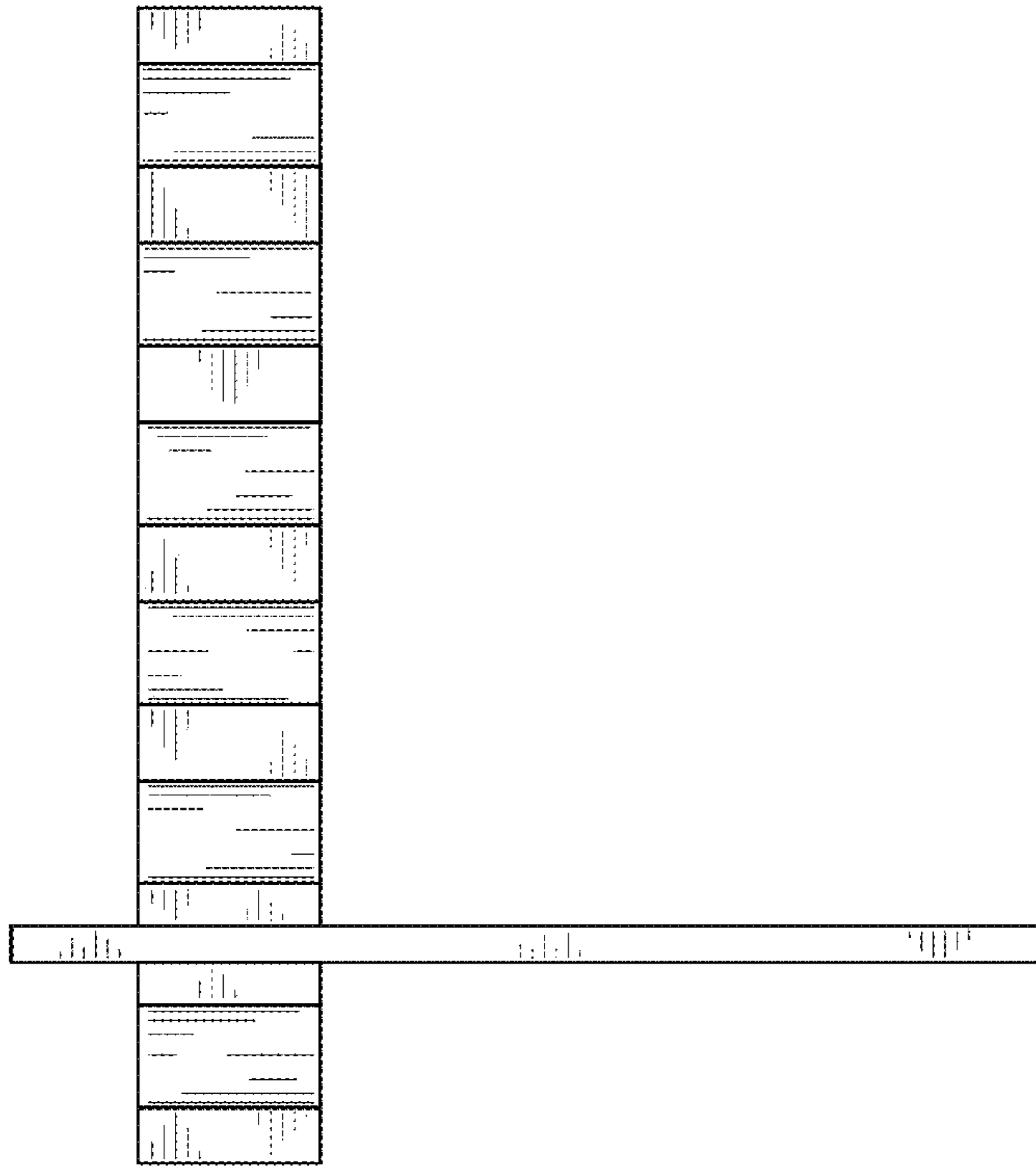
U.S. PATENT DOCUMENTS

4,715,503	A	12/1987	Johnson	6,991,117	B2	1/2006	McCain	
4,936,641	A	6/1990	Bussan et al.	7,063,219	B2	6/2006	Fann et al.	
4,998,631	A	3/1991	Fridjhon	7,080,744	B2 *	7/2006	Robertson .....	A47F 7/283 211/74
5,799,802	A	9/1998	Delia et al.	D526,167	S *	8/2006	Chen .....	D6/553
5,826,731	A	10/1998	Dardashti	7,131,544	B1	11/2006	Cunningham	
6,164,211	A	12/2000	Faris	7,850,017	B2	12/2010	McCain	
6,361,129	B1	3/2002	Börger	7,878,340	B1	2/2011	Olsen	
D468,591	S *	1/2003	Lillelund .....	7,882,967	B2	2/2011	Hynes	
			D7/590	8,061,538	B2	11/2011	Seldon	
6,615,996	B1	9/2003	Ivey	8,231,015	B2	7/2012	McCain	
6,722,510	B1	4/2004	Sen	8,276,769	B2	10/2012	Hogeback	
6,729,481	B1	5/2004	O'Brien	8,684,194	B2	4/2014	McCain	
6,763,956	B2	7/2004	Woods	2006/0102570	A1 *	5/2006	Robertson .....	A47B 96/02 211/75

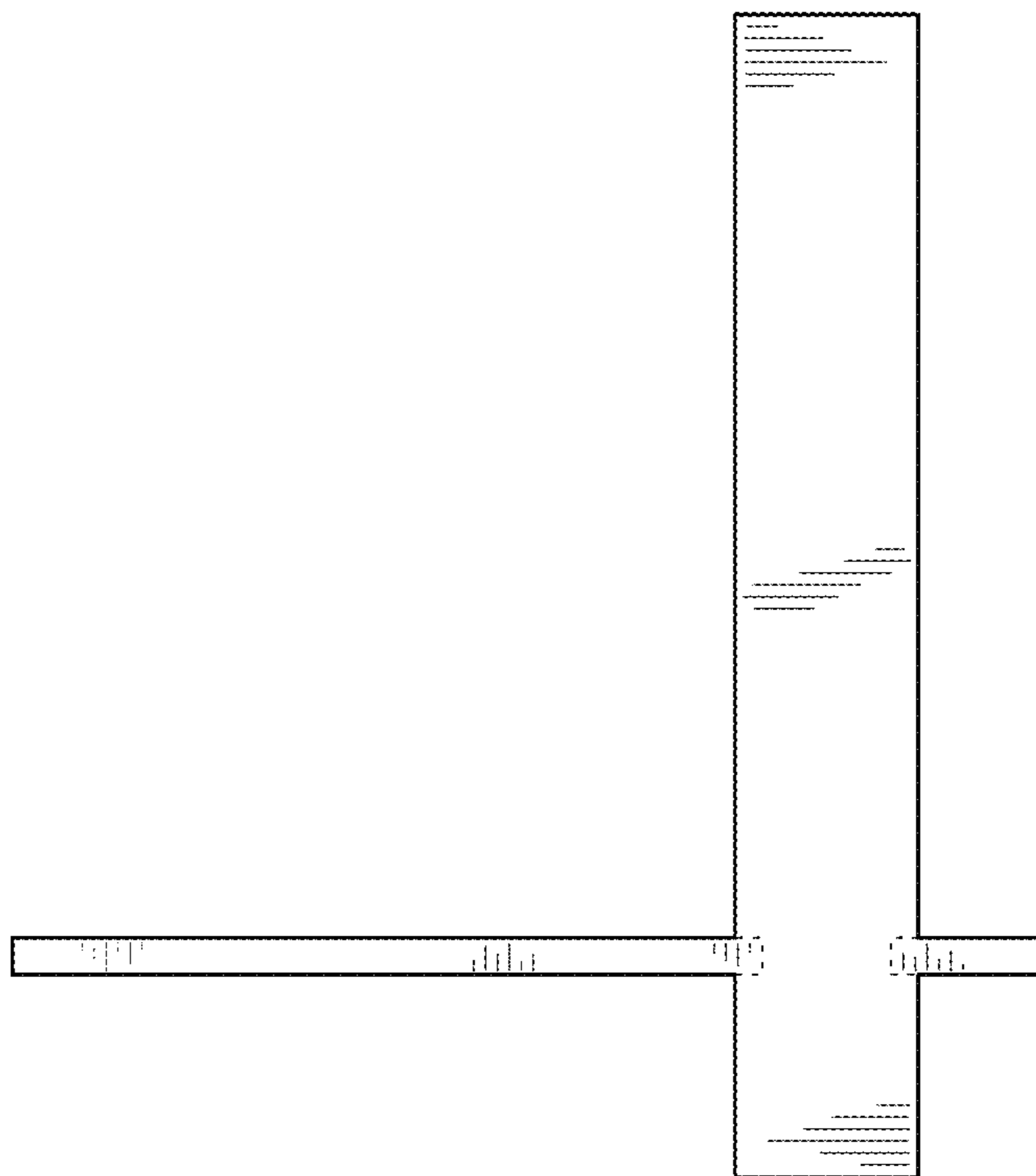
\* cited by examiner



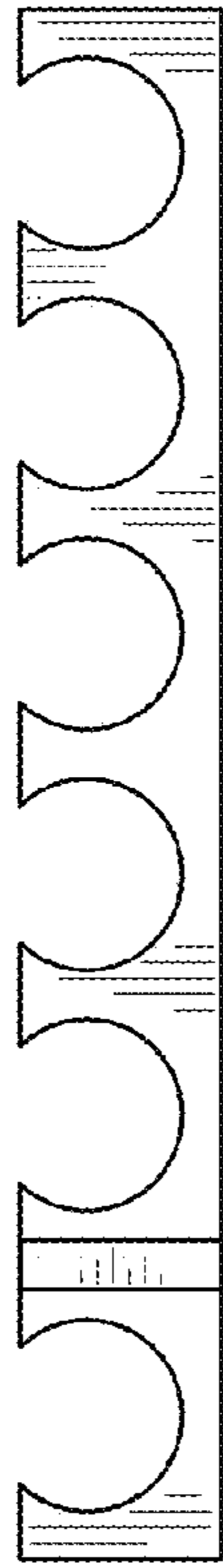
**FIG. 1**



**FIG. 2**



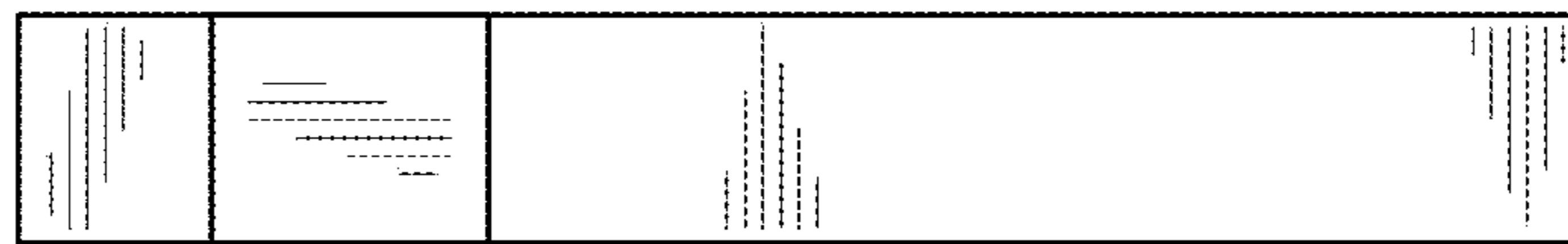
**FIG. 3**



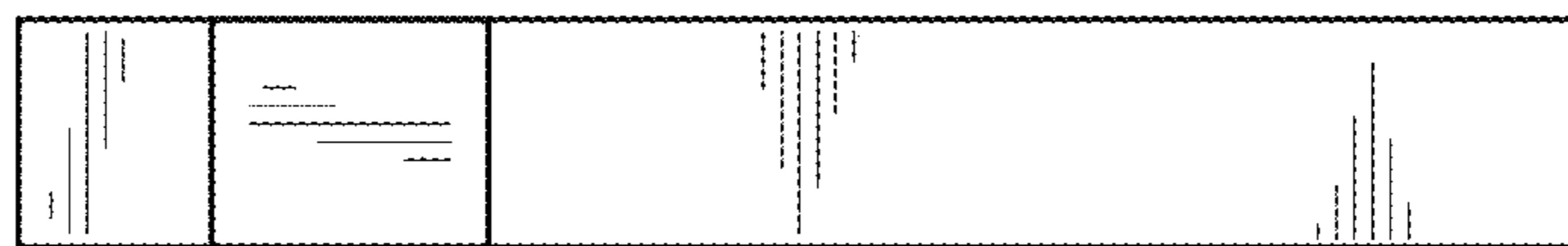
**FIG. 4**



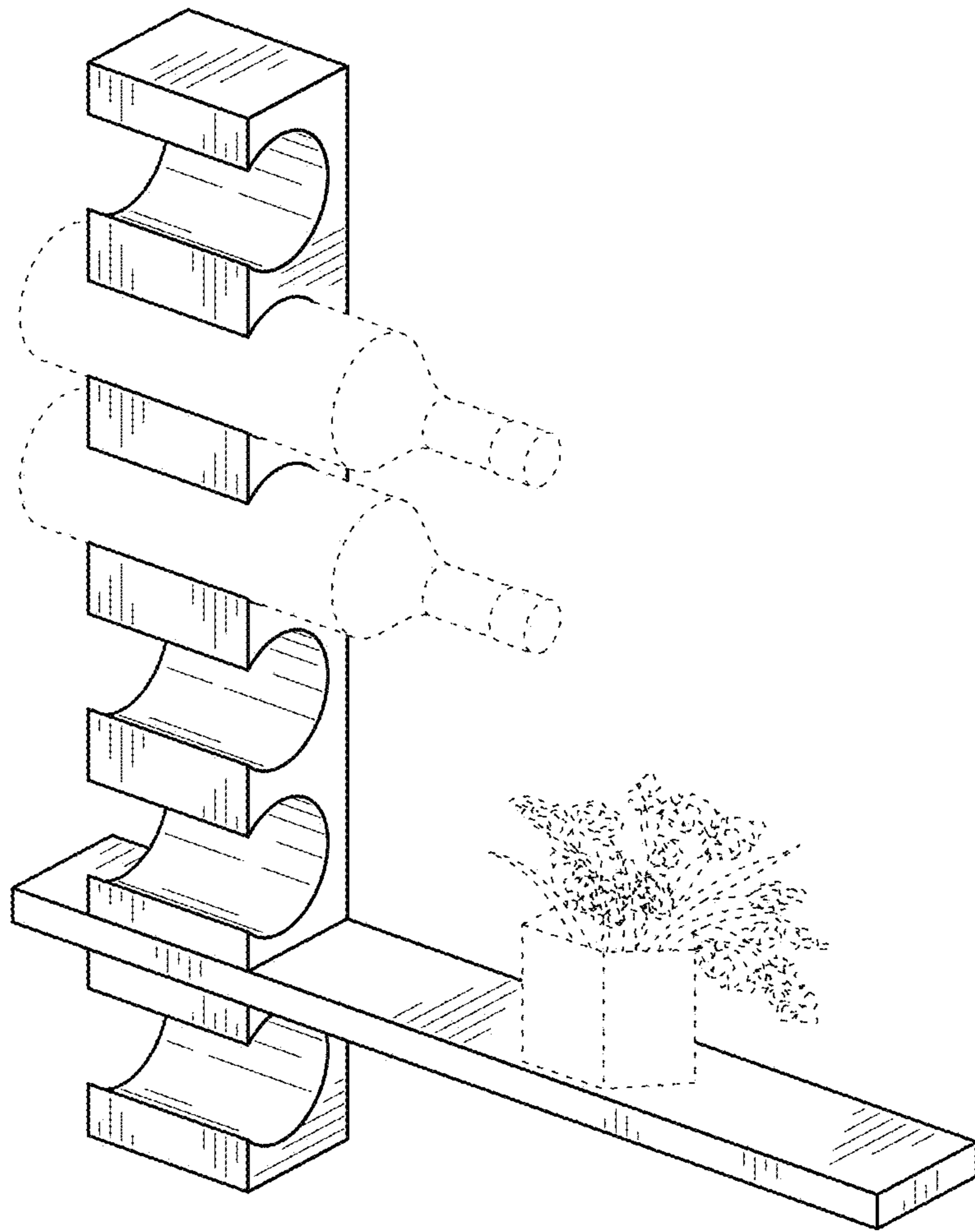
**FIG. 5**



**FIG. 6**

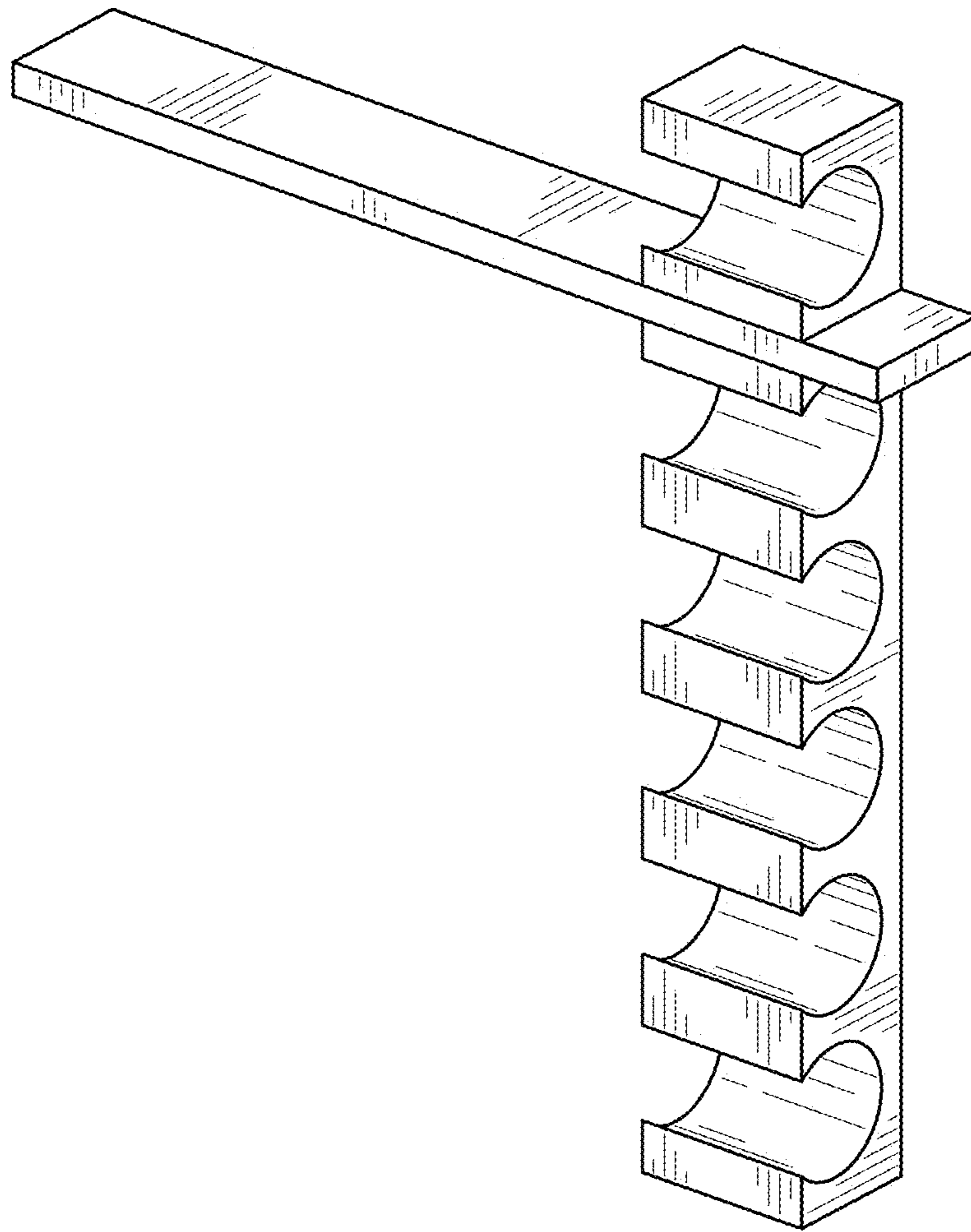


**FIG. 7**



**FIG. 8**

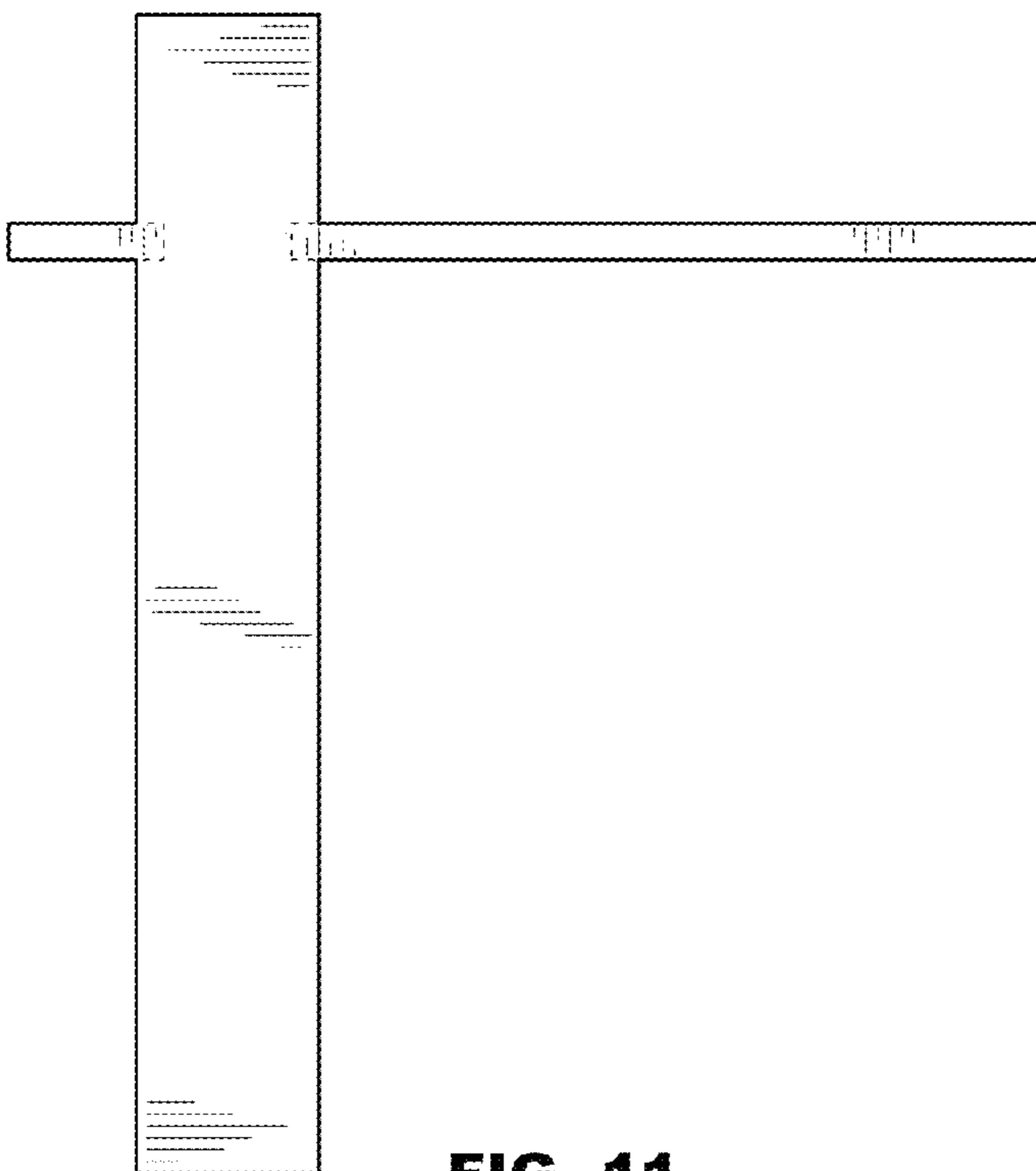




**FIG. 9**

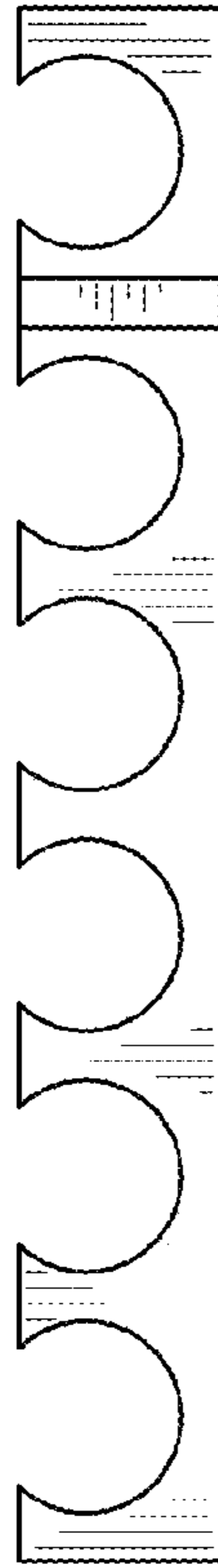


**FIG. 10**



**FIG. 11**

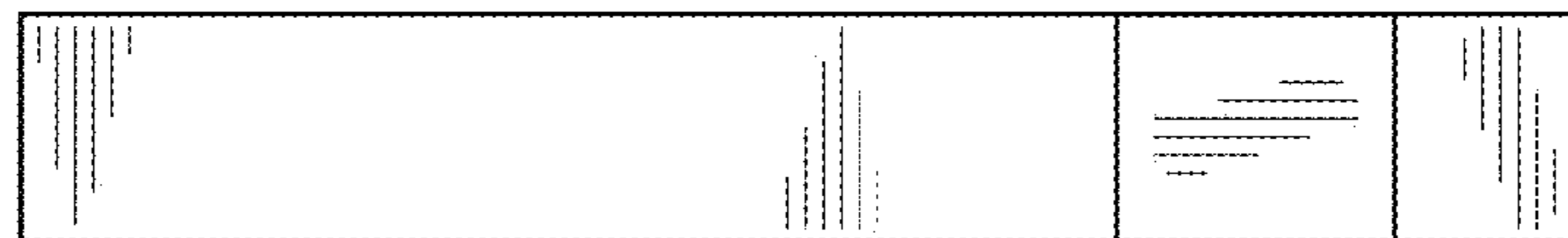




**FIG. 12**



**FIG. 13**



**FIG. 14**



**FIG. 15**

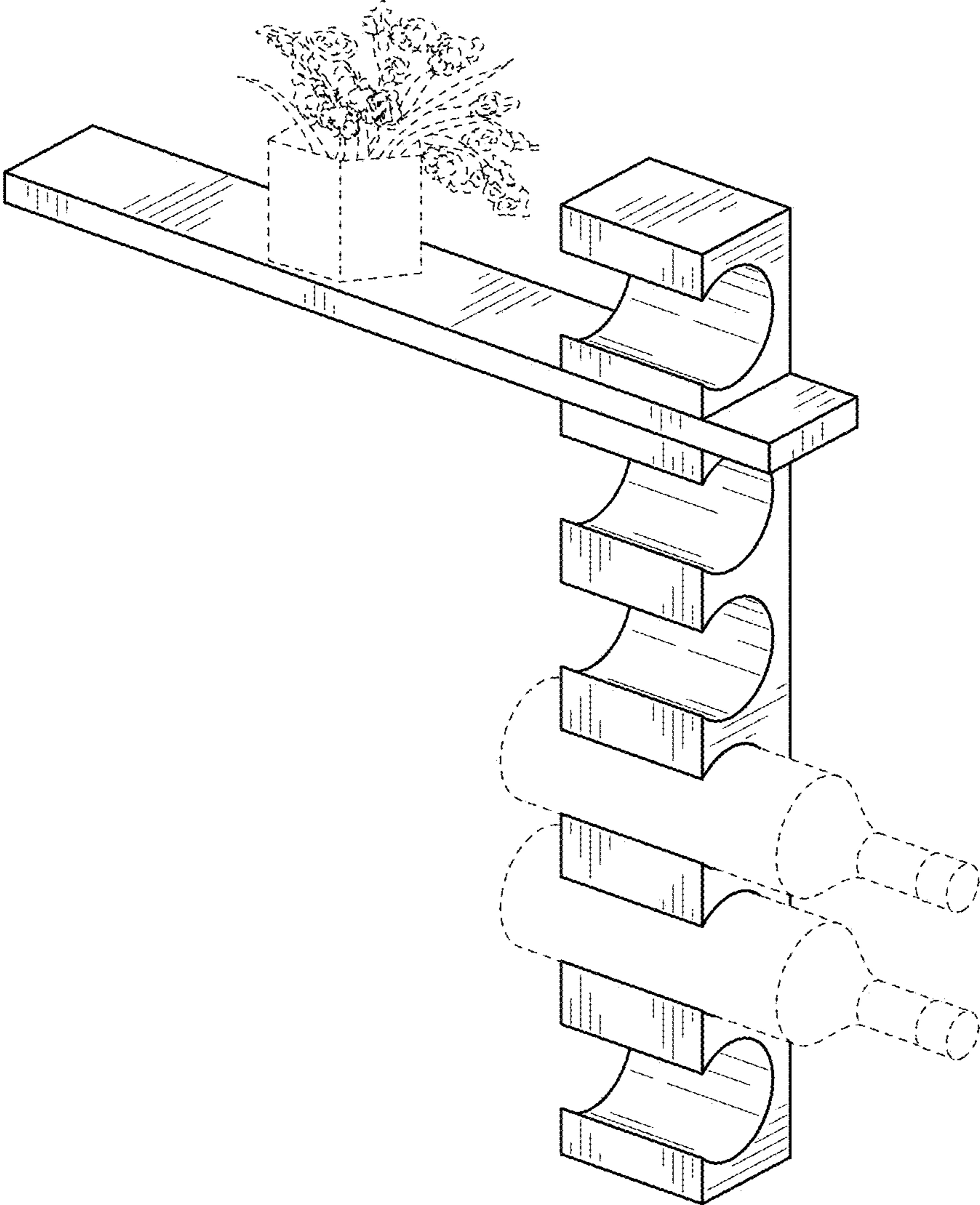
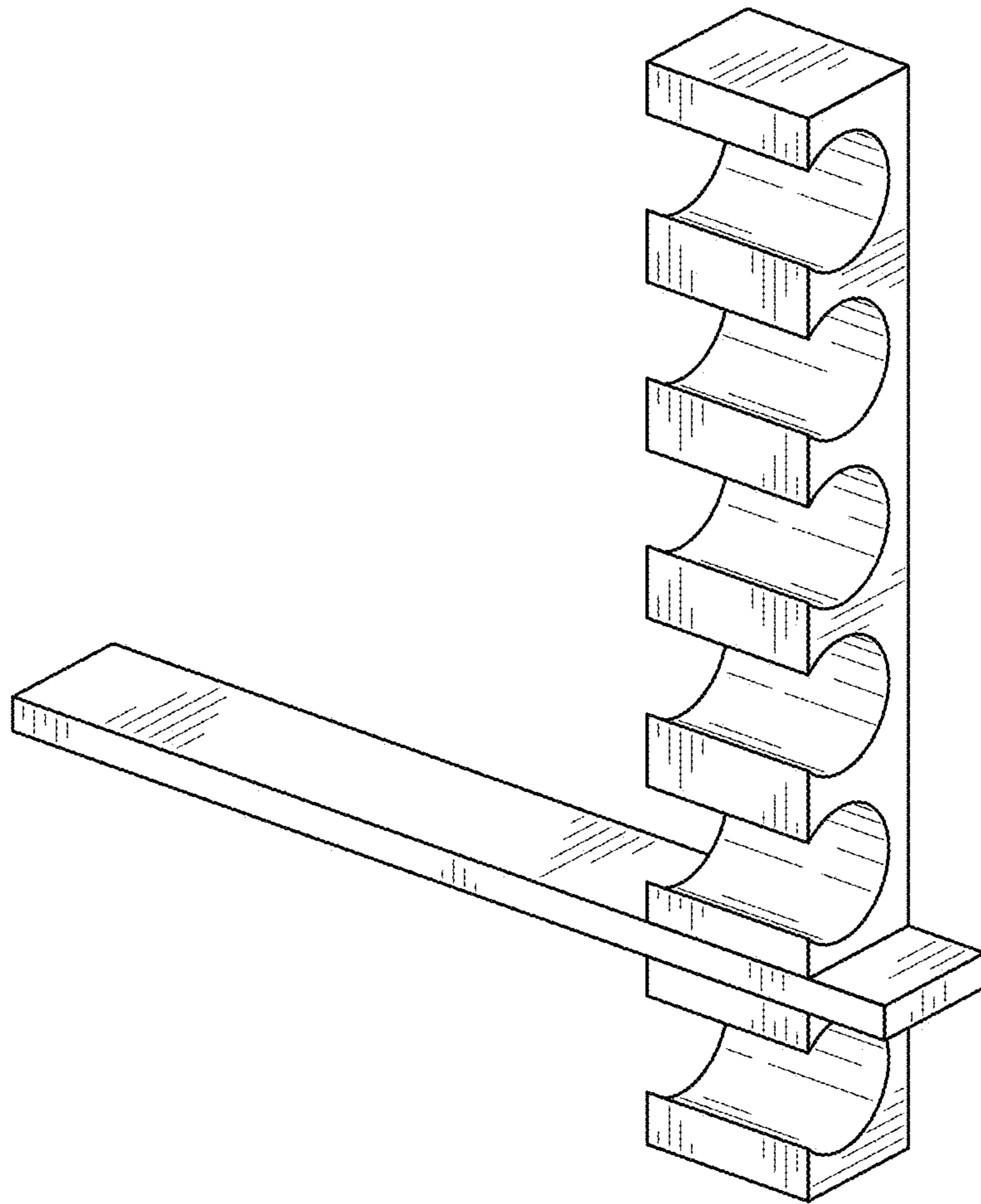
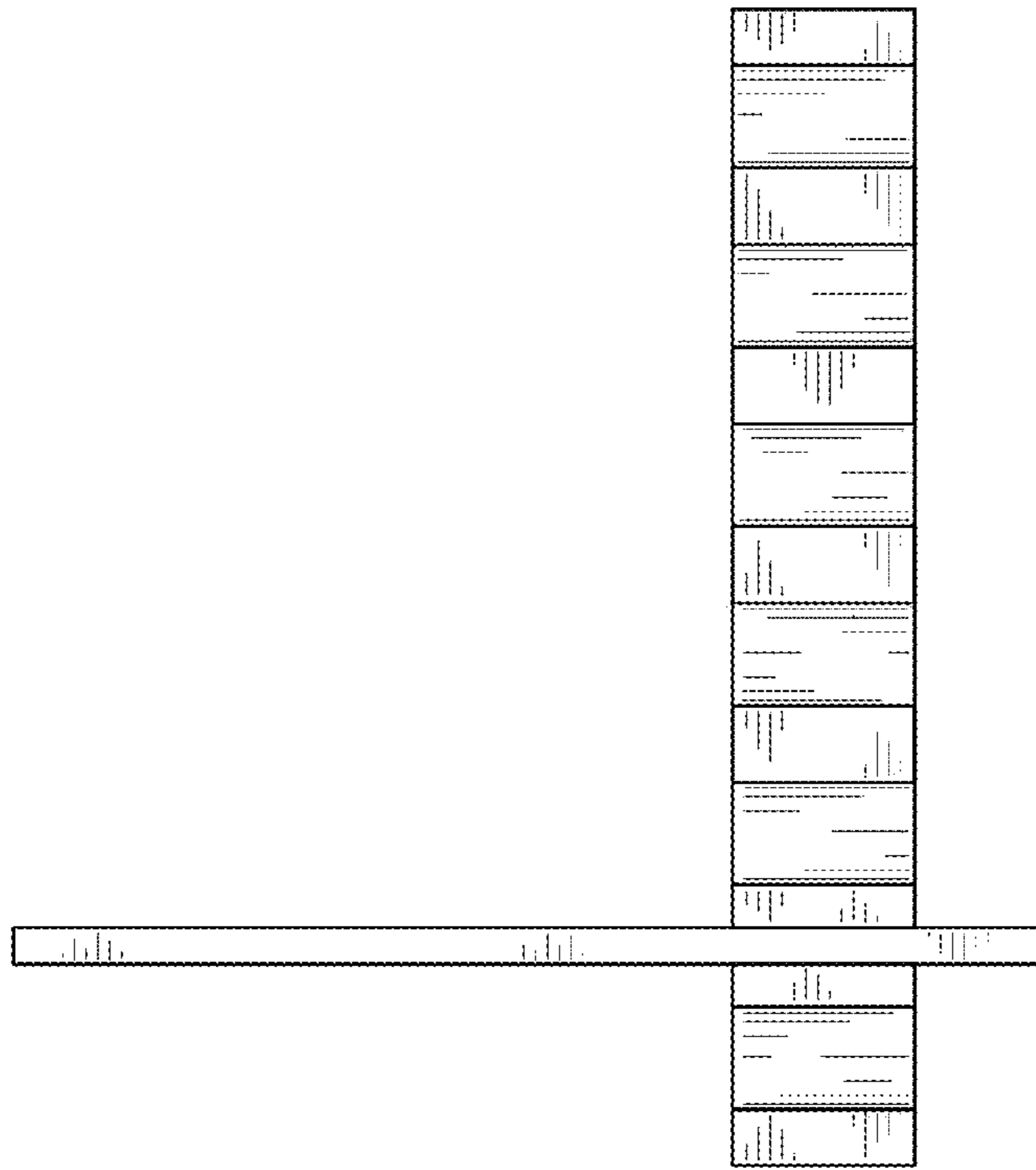


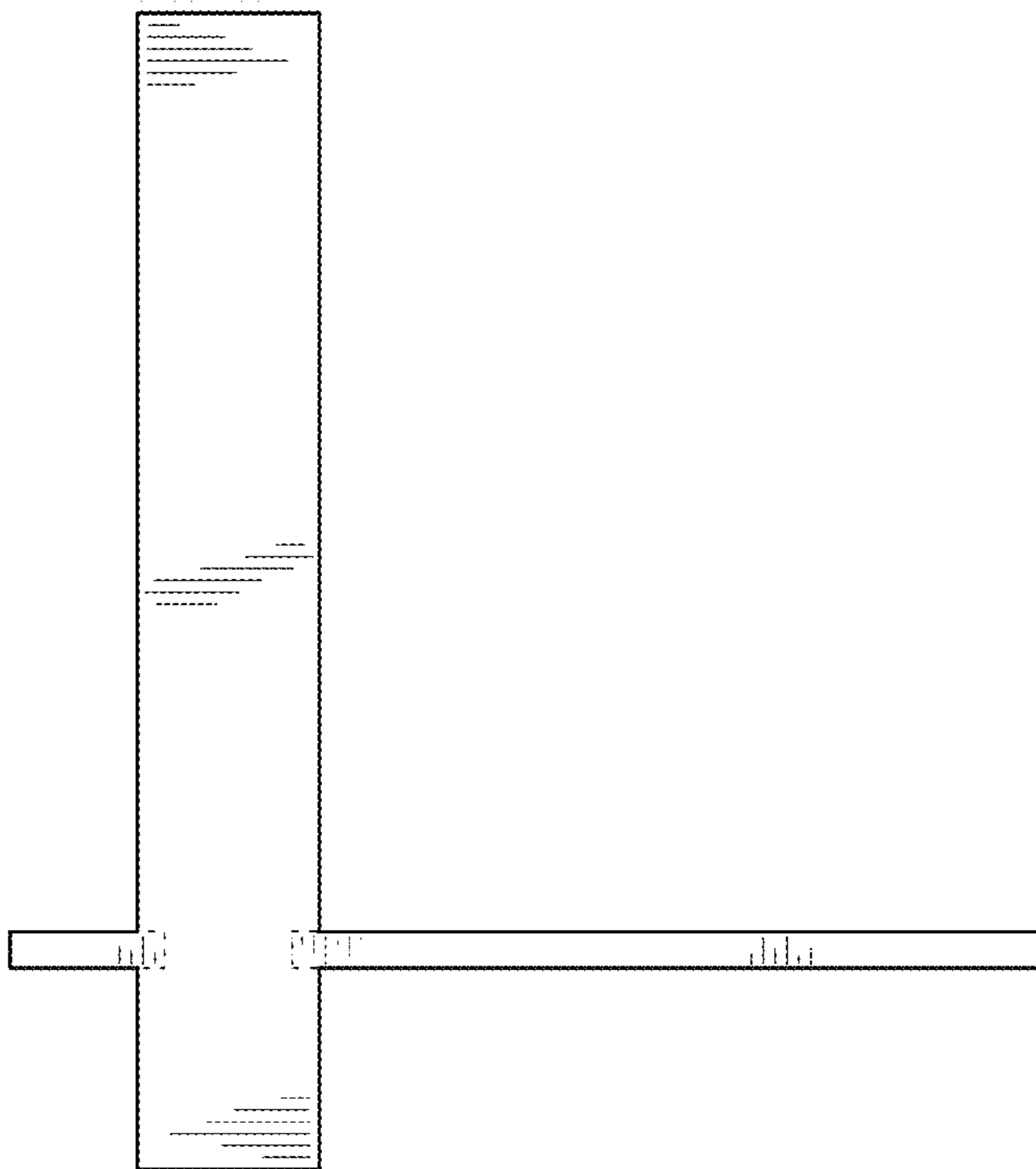
FIG. 16



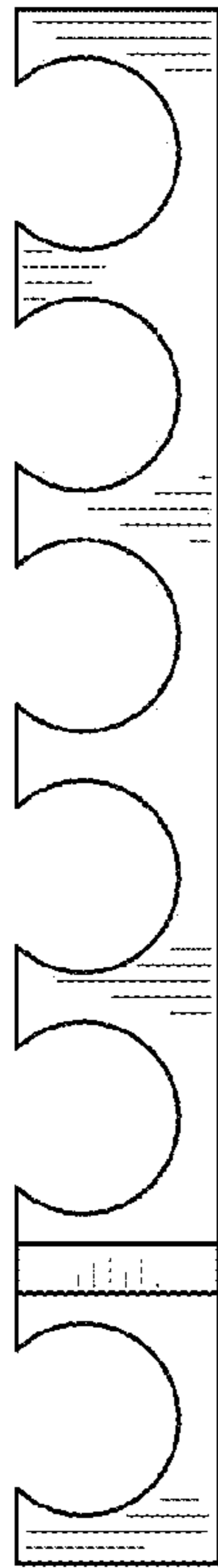
**FIG. 17**



**FIG. 18**



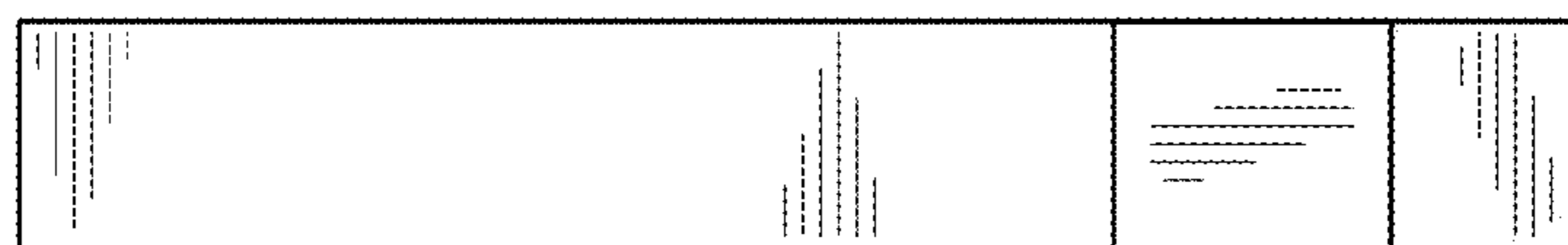
**FIG. 19**



**FIG. 20**



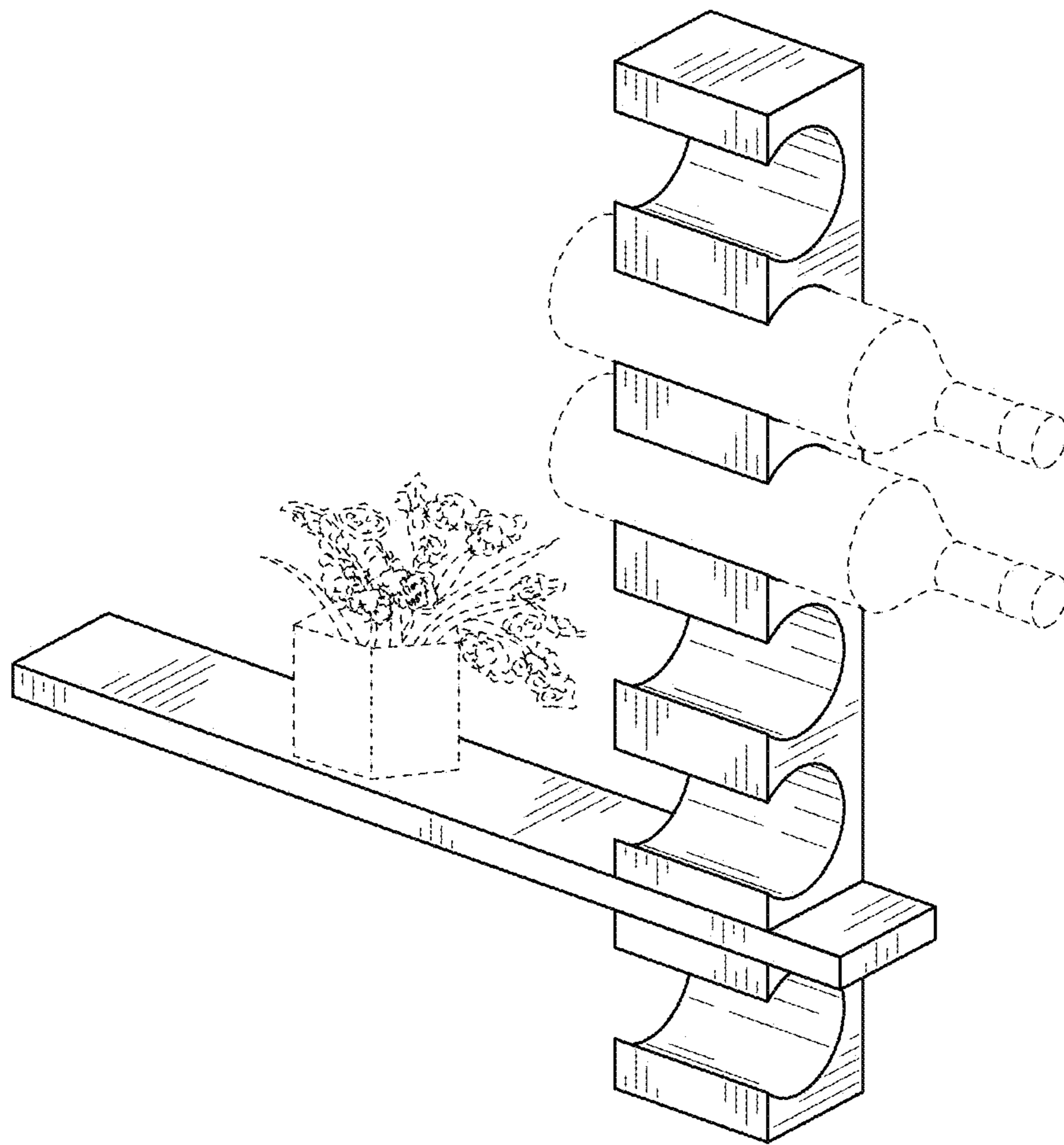
**FIG. 21**



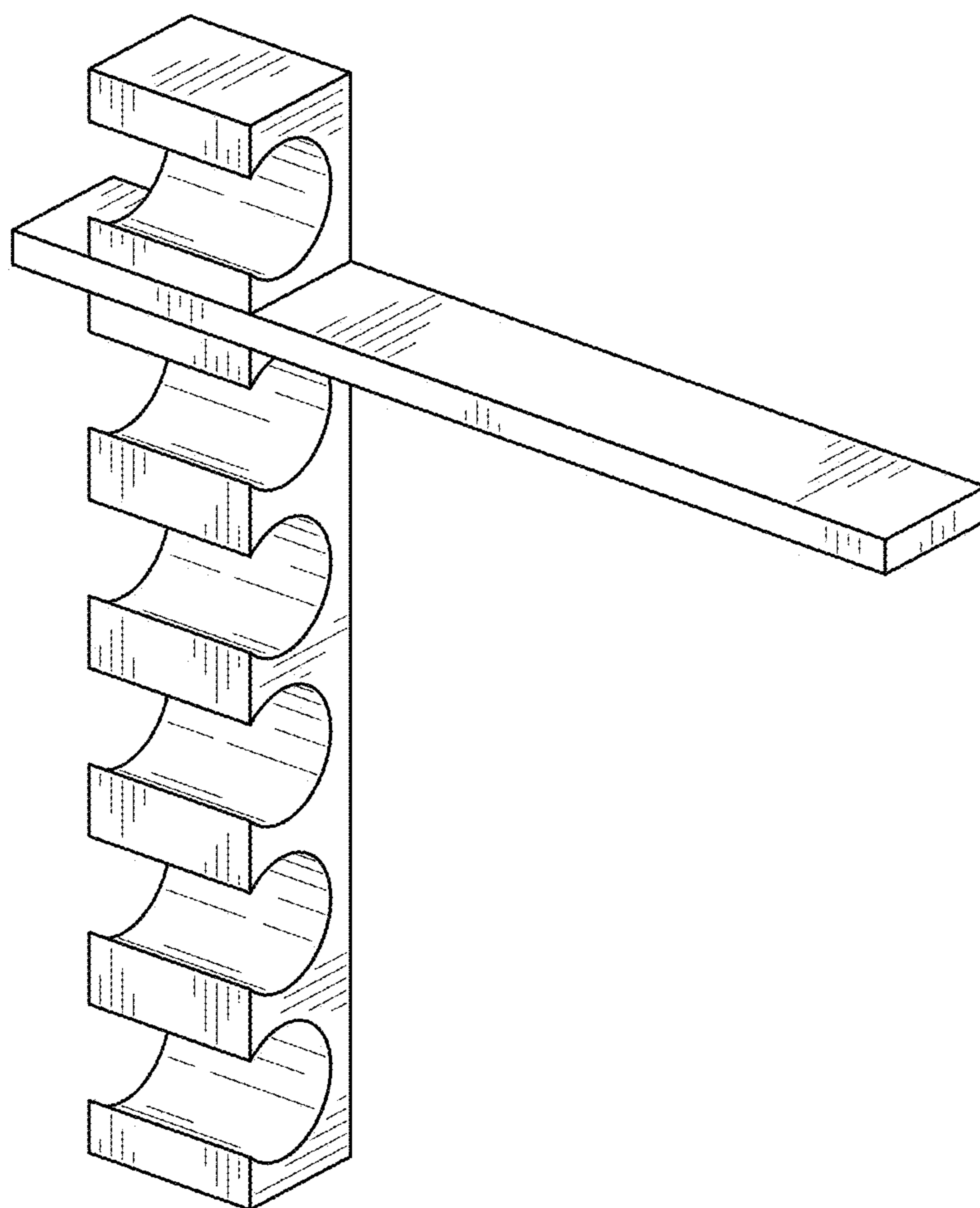
**FIG. 22**



**FIG. 23**

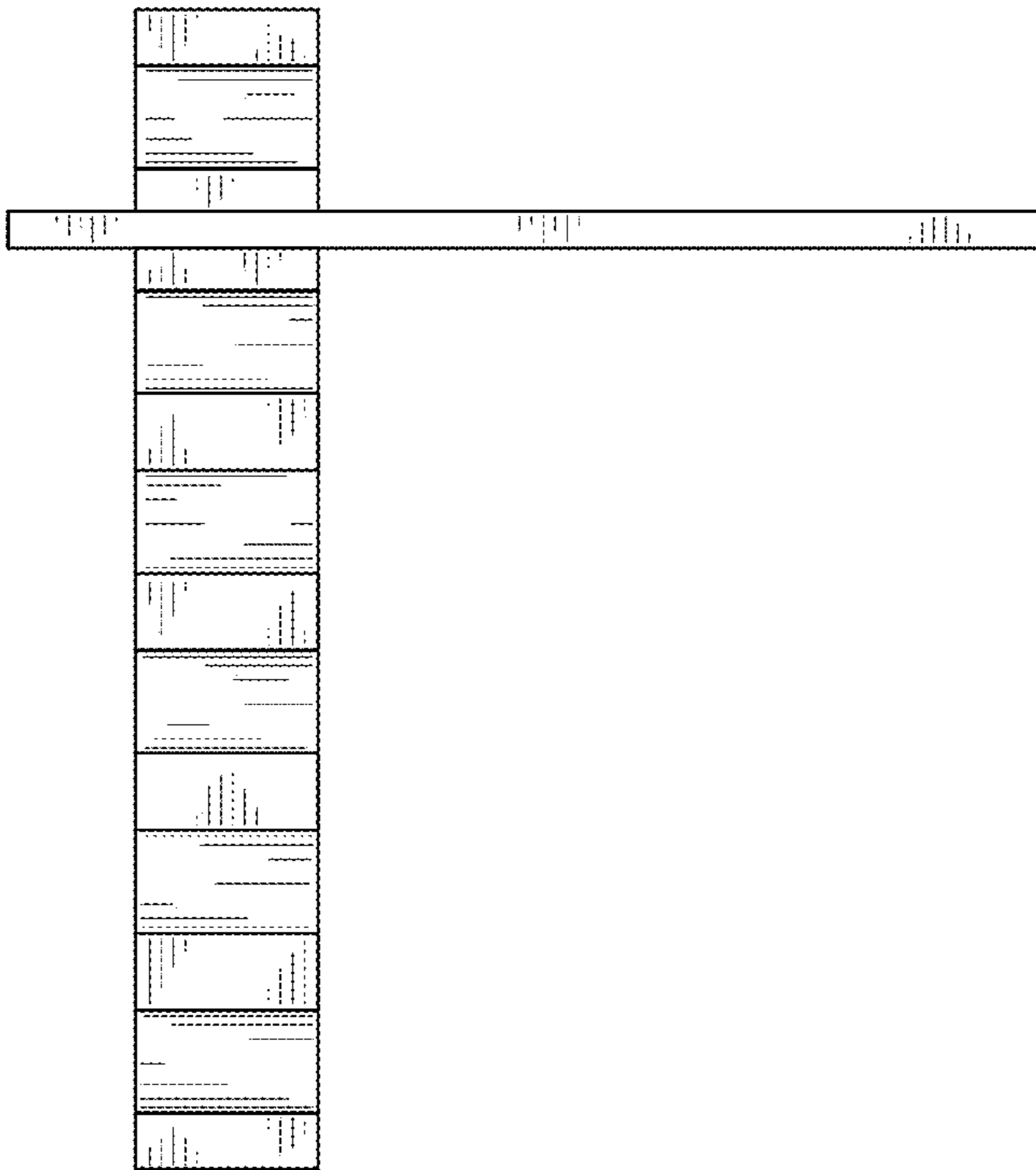


**FIG. 24**

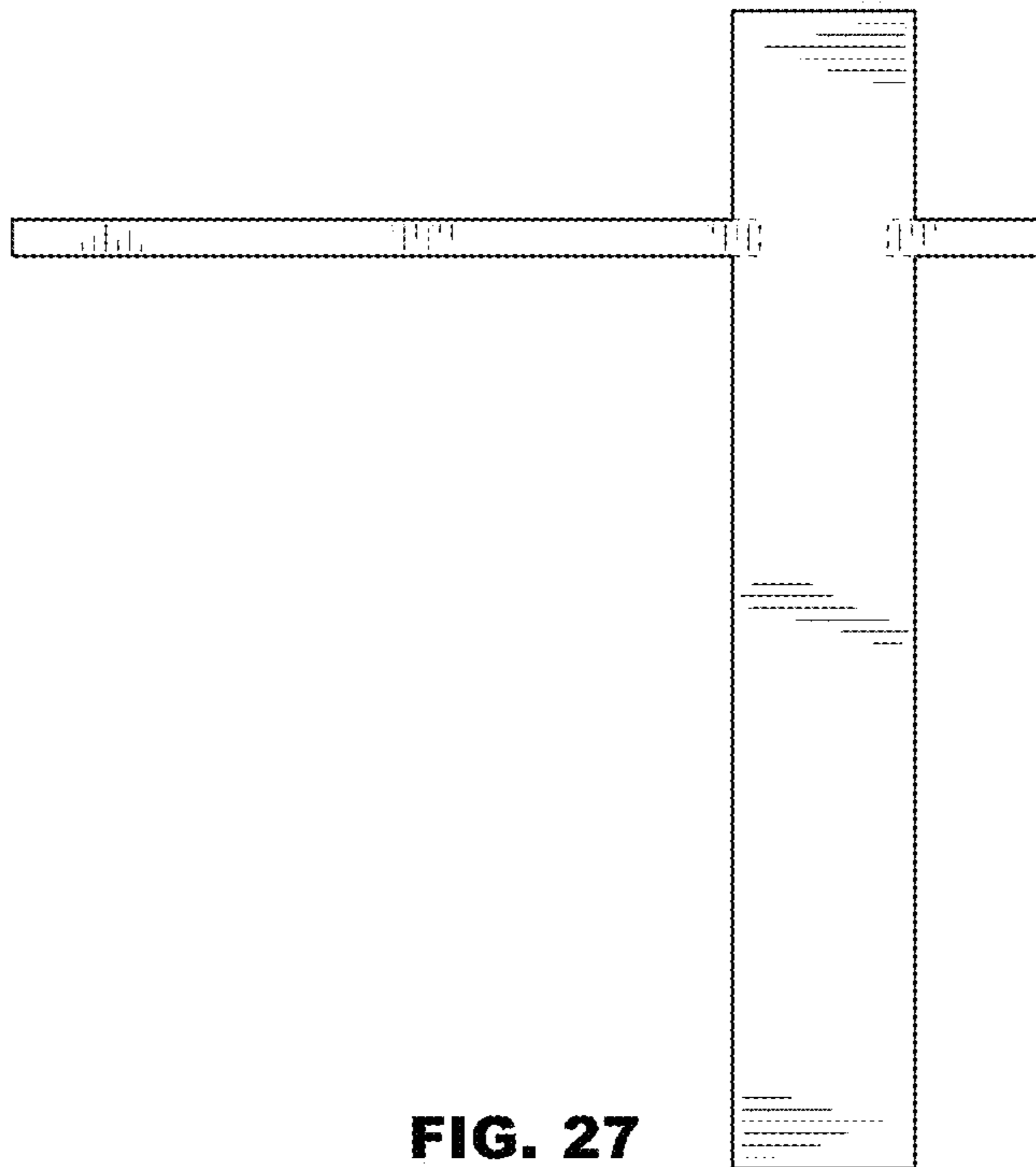


**FIG. 25**

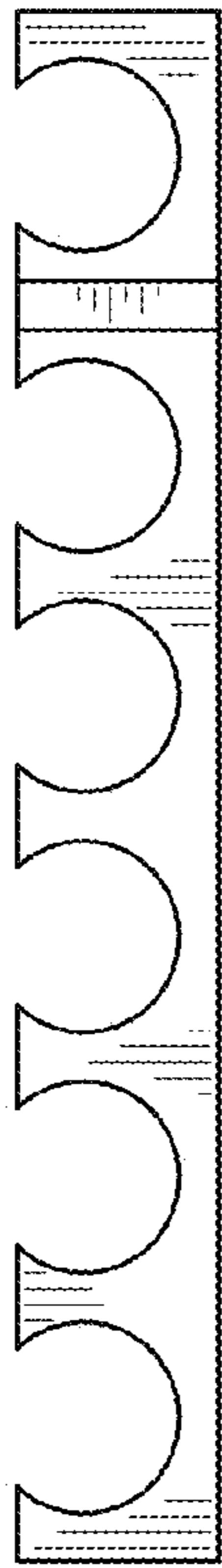




**FIG. 26**



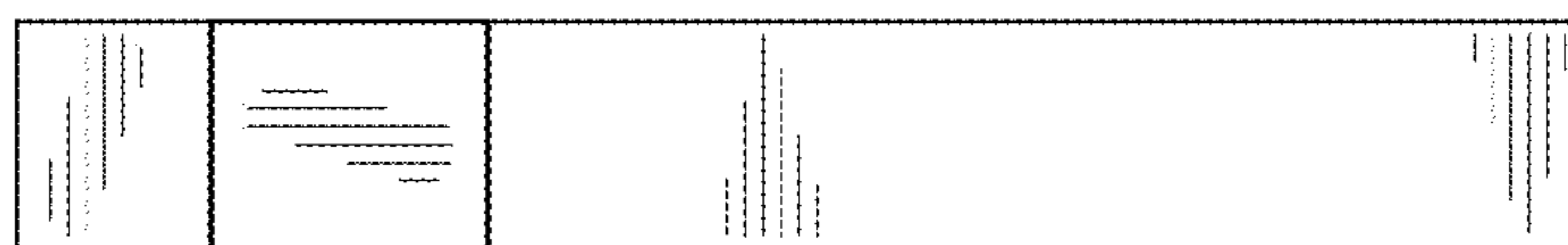
**FIG. 27**



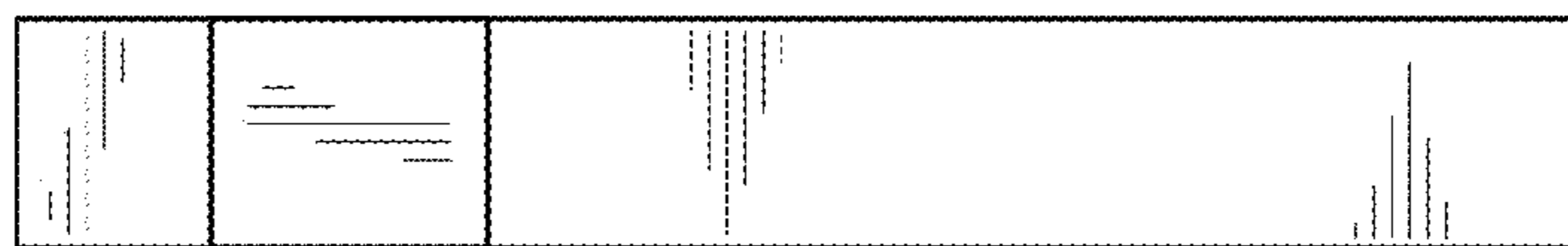
**FIG. 28**



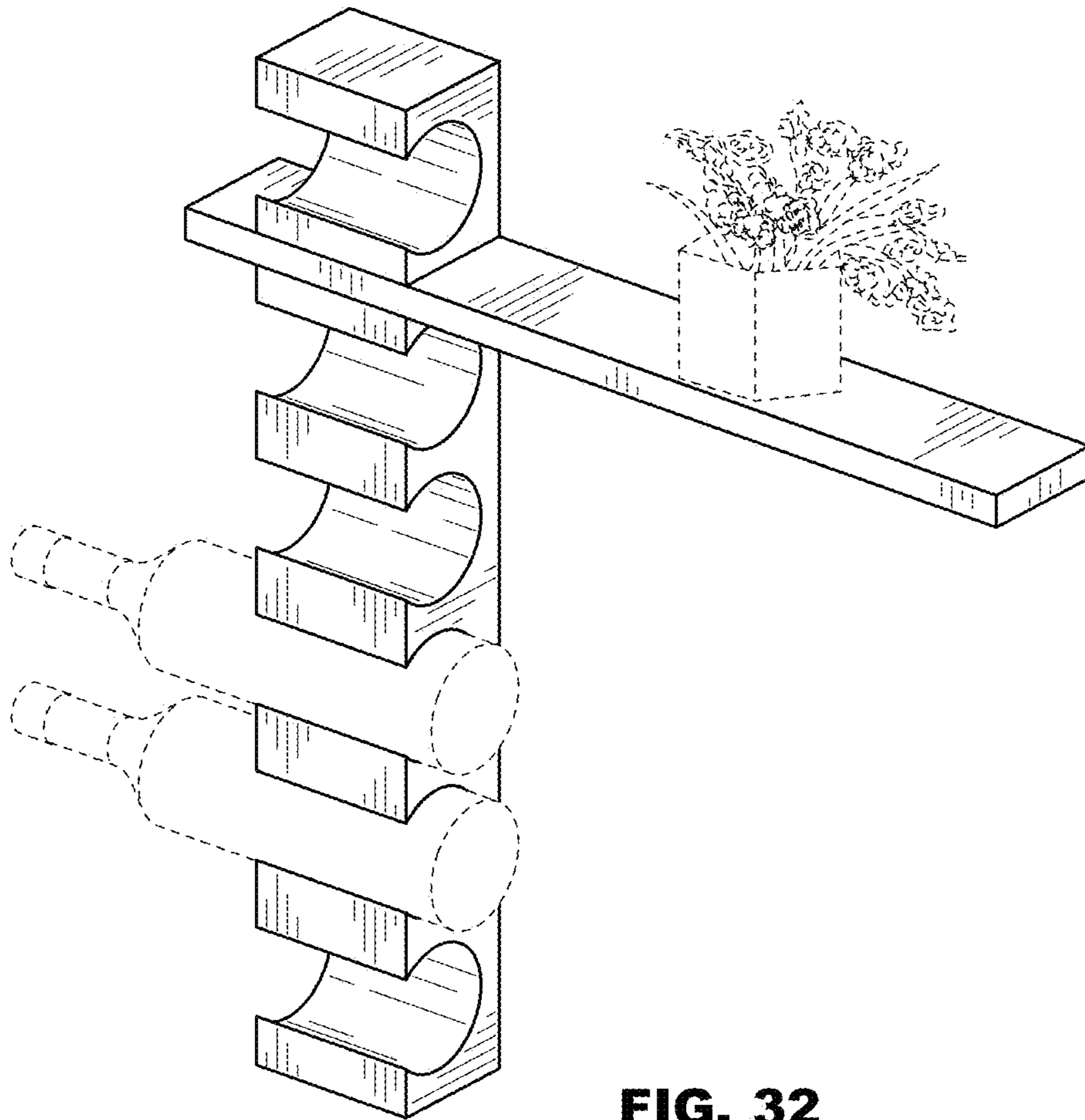
**FIG. 29**



**FIG. 30**



**FIG. 31**



**FIG. 32**