



US00D760559S

(12) **United States Design Patent**
Chu et al.

(10) **Patent No.:** **US D760,559 S**
(45) **Date of Patent:** **** Jul. 5, 2016**

- (54) **CUPCAKE TOWER**
- (71) Applicant: **WILTON INDUSTRIES, INC.**,
Woodridge, IL (US)
- (72) Inventors: **Nancy Chu**, Woodridge, IL (US); **Lisa Deszcz**, Woodridge, IL (US); **Traci Chapple**, Woodridge, IL (US); **David Starr**, Woodridge, IL (US); **Erin Smith**, Woodridge, IL (US); **Angelina Lullie**, Woodridge, IL (US)
- (73) Assignee: **Wilton Industries, Inc.**, Woodridge, IL (US)
- (**) Term: **14 Years**
- (21) Appl. No.: **29/504,729**
- (22) Filed: **Oct. 8, 2014**
- (51) **LOC (10) Cl.** **07-06**
- (52) **U.S. Cl.**
USPC **D7/701**
- (58) **Field of Classification Search**
USPC 99/426; 206/563; 211/85.23; 220/23.8, 220/475, 507; D6/458, 661.3; D7/354, 601, D7/610, 628, 706
CPC A47G 19/02; A47G 7/041; B65D 25/04; B65F 1/141; A47J 37/0694
See application file for complete search history.

- D558,530 S 1/2008 McDavitt
- D560,974 S 2/2008 Goode
- 7,387,284 B2 6/2008 Chang
- 7,458,475 B2 12/2008 Ho
- D600,505 S 9/2009 Godinger
- 8,276,524 B2 10/2012 Goode
- 8,590,715 B2 11/2013 Gray
- 2012/0031860 A1 2/2012 Goode

OTHER PUBLICATIONS

Pikore, Nanc_pants87, Mar. 9, 2015, [date visited: Dec. 7, 2015], [URL: http://www.pikore.com/m/937046292163760198_1006905291].*

Wilton, Triple Tinted Swirl Cupcakes, [visited on Dec. 7, 2015], [URL: <http://www.wilton.com/triple-tinted-swirl-cupcakes/WLPROJ-8300.html#q=cupcake%2Btower&start=2>].*

* cited by examiner

Primary Examiner — Thomas Johannes
Assistant Examiner — Bryan Reinholdt, Jr.
(74) *Attorney, Agent, or Firm* — Foley & Lardner LLP

(57) **CLAIM**

We claim the ornamental design for a cupcake tower, as shown and described.

DESCRIPTION

FIG. 1 is a perspective view of a cupcake tower showing my new design;
FIG. 2 is a top view thereof;
FIG. 3 is a side view thereof; and,
FIG. 4 is a bottom view thereof.

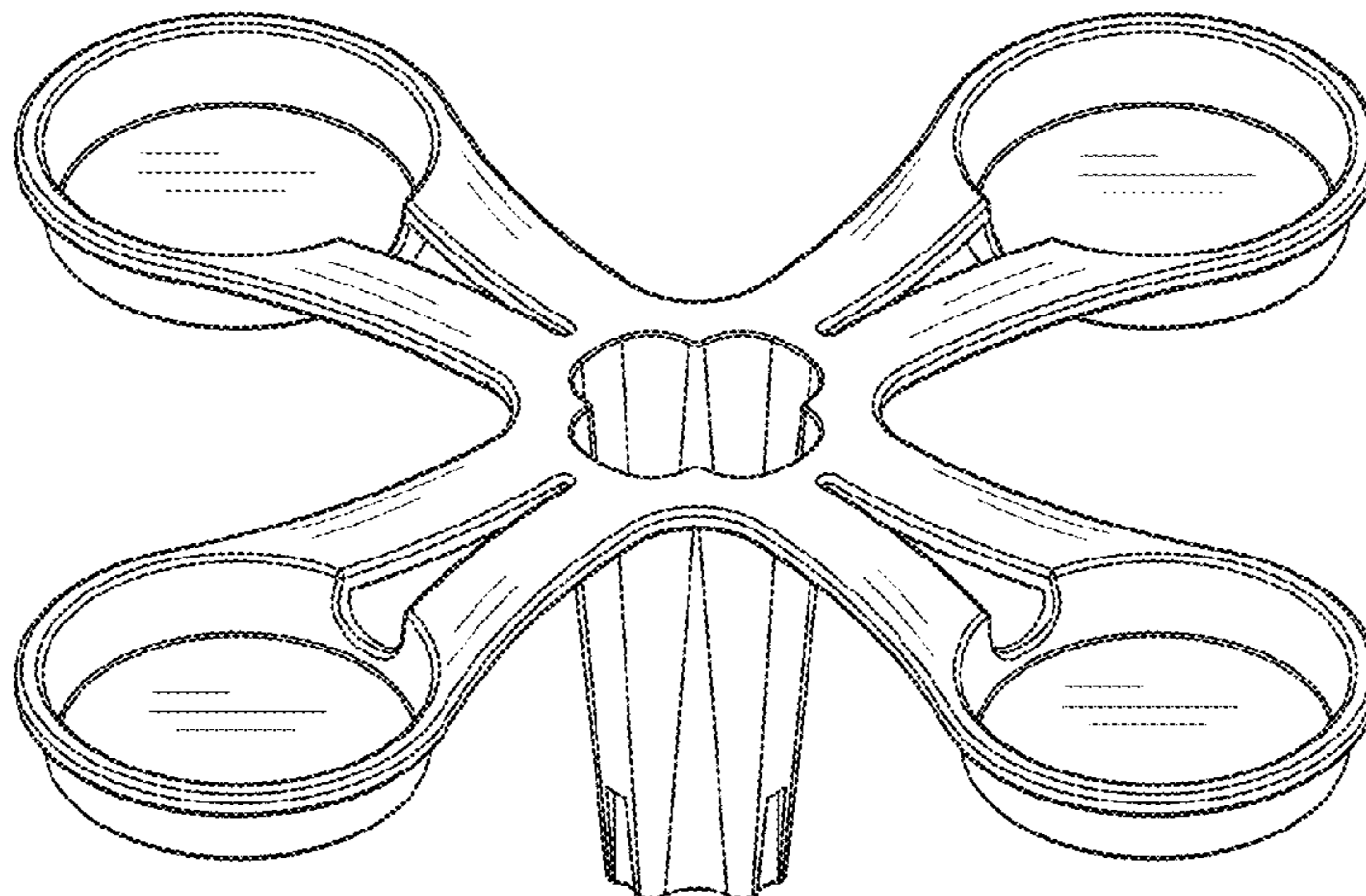
The ornamental design which is claimed is shown in solid lines in the drawings.

1 Claim, 2 Drawing Sheets

(56) **References Cited**

U.S. PATENT DOCUMENTS

- D422,456 S * 4/2000 Krueger D7/610
- 6,520,352 B2 2/2003 Mondragon et al.
- D516,385 S 3/2006 Franczyk
- D558,529 S 1/2008 McDavitt



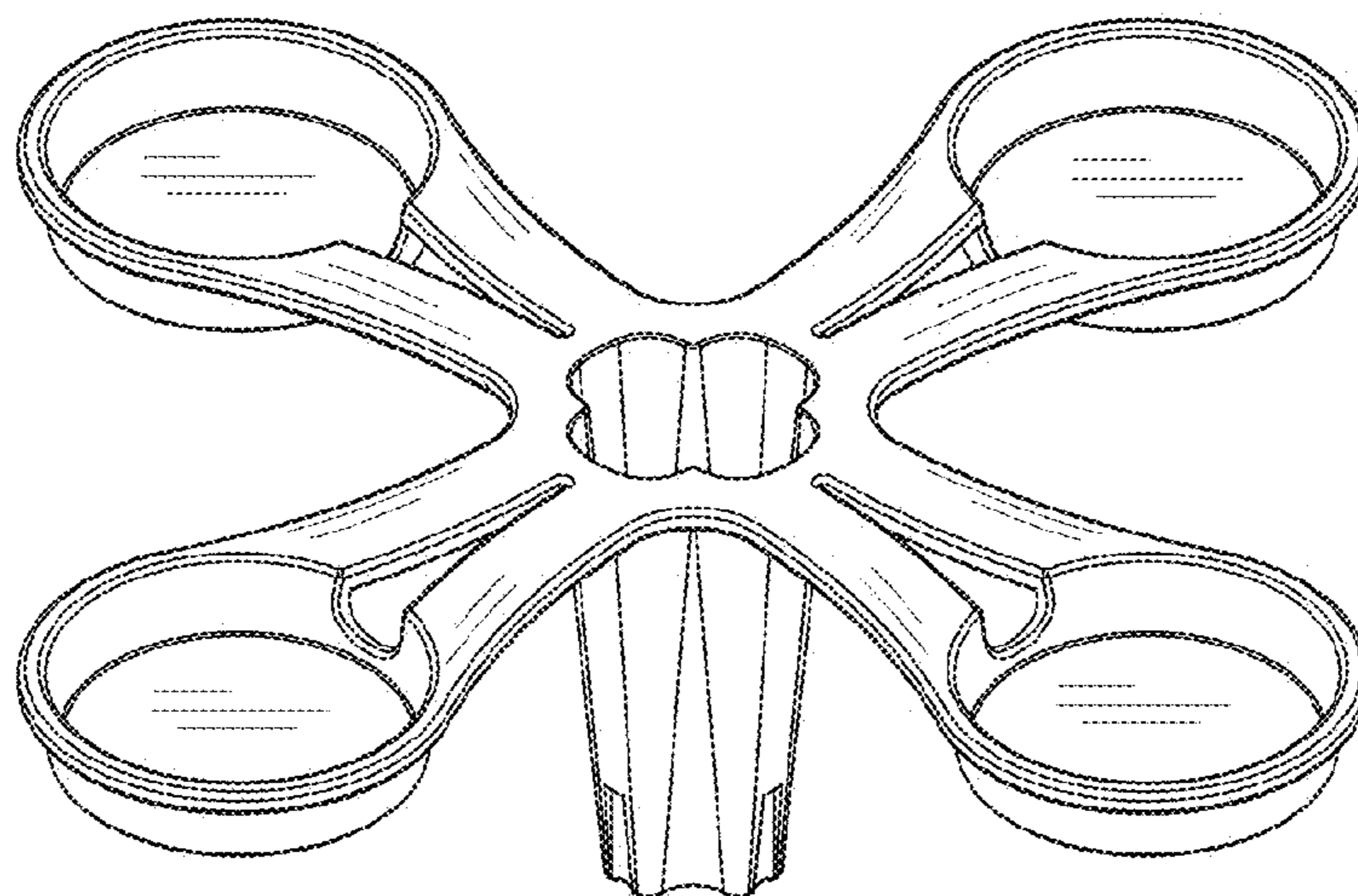


FIG. 1

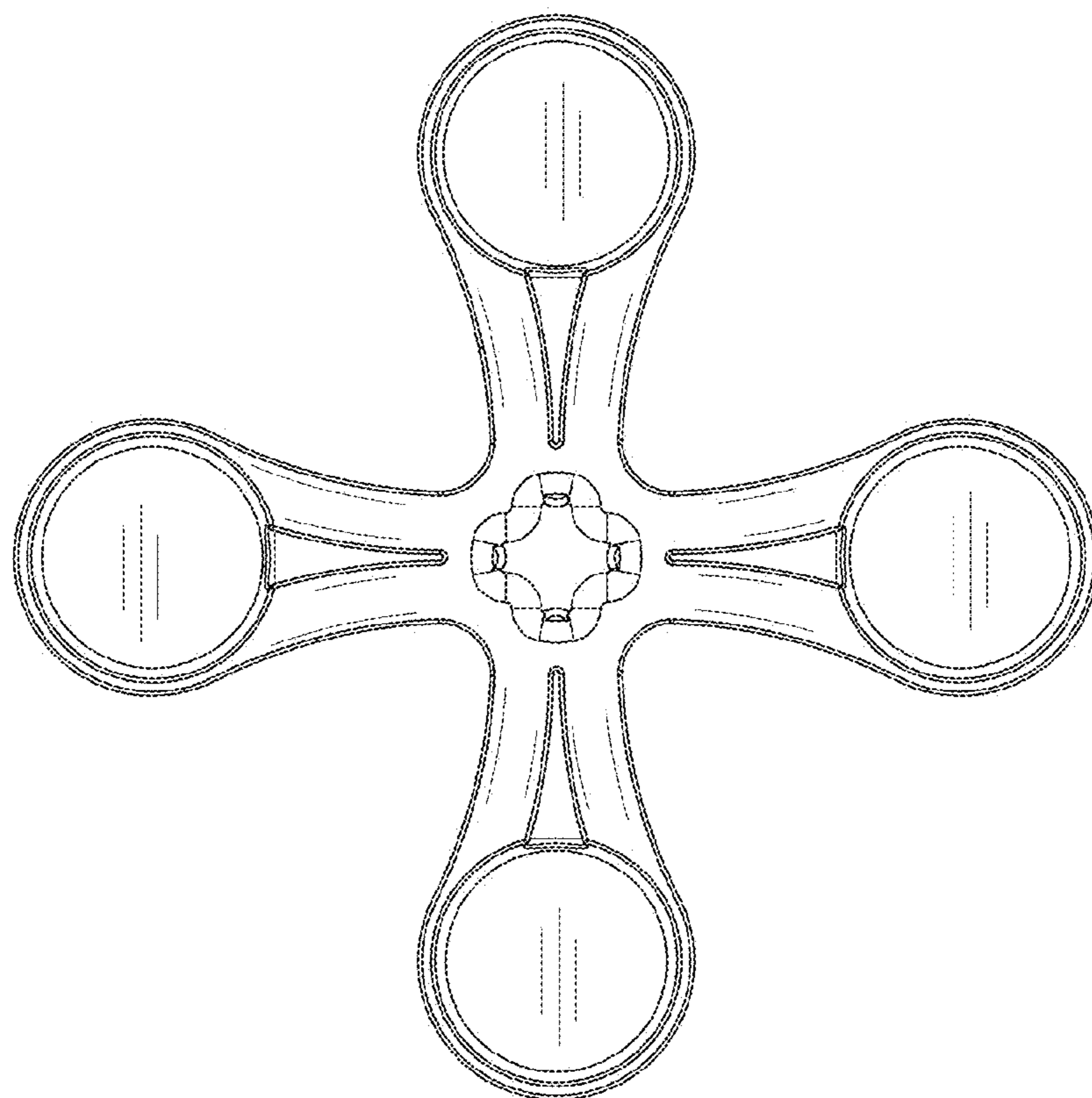


FIG. 2

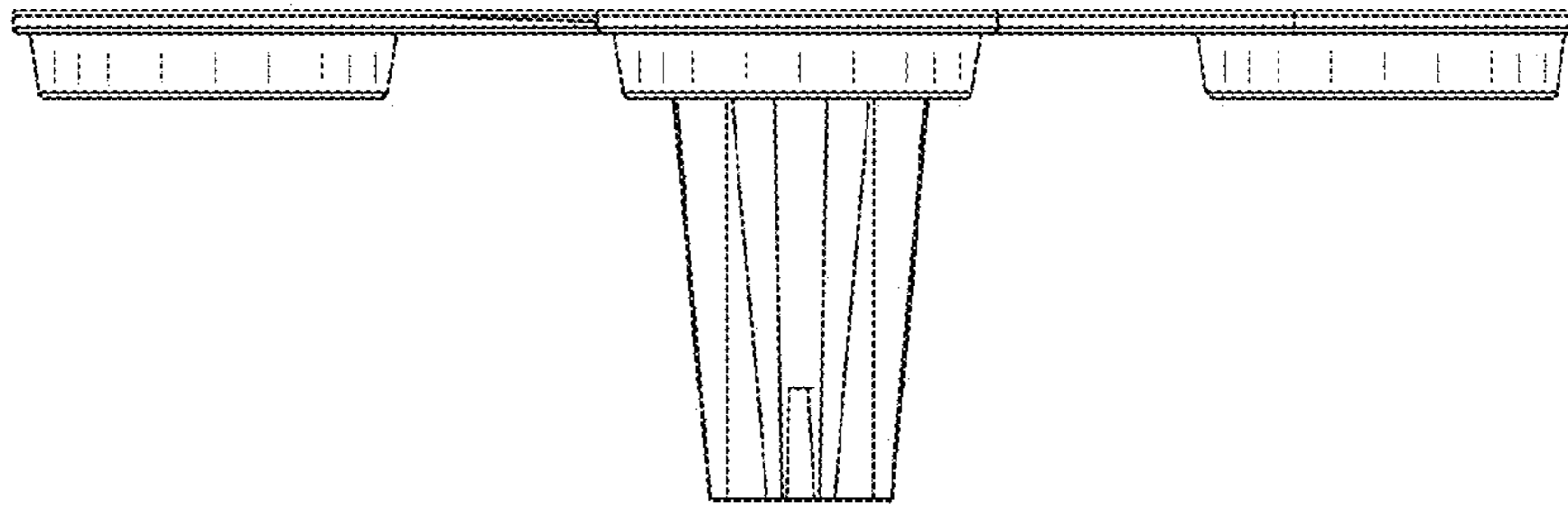


FIG. 3

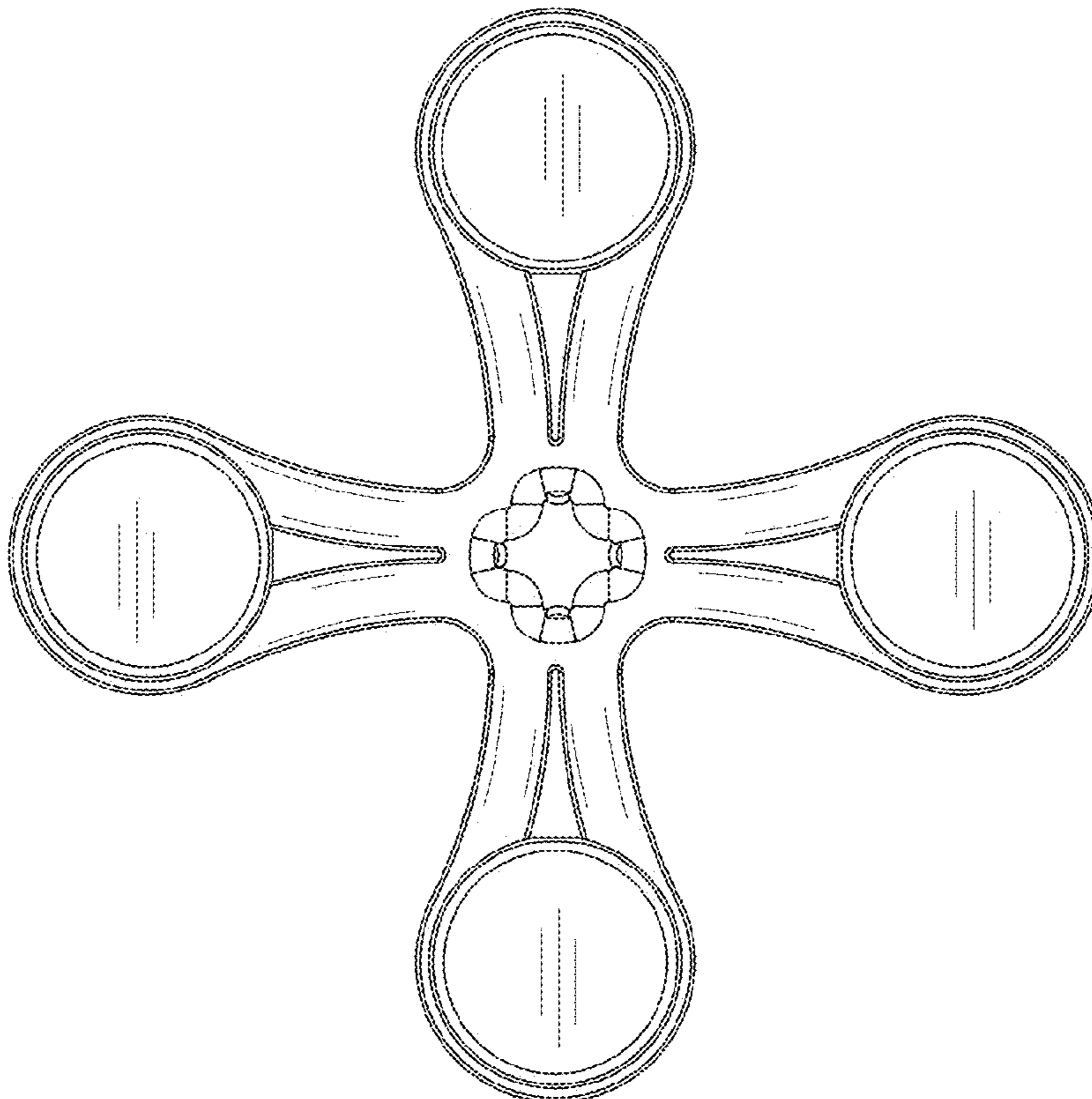


FIG. 4