



US00D760556S

(12) **United States Design Patent**
Wiggins et al.

(10) **Patent No.:** **US D760,556 S**
(45) **Date of Patent:** **** Jul. 5, 2016**

- (54) **SCOOP**
- (71) Applicant: **Mead Johnson Nutrition Company**,
Glenview, IL (US)
- (72) Inventors: **Robin P. Wiggins**, Newburgh, IN (US);
Johanna Kahn, Deerfield, IL (US)
- (73) Assignee: **Mead Johnson Nutrition Company**,
Glenview, IL (US)
- (**) Term: **14 Years**
- (21) Appl. No.: **29/499,549**
- (22) Filed: **Aug. 15, 2014**
- (51) **LOC (10) Cl.** **07-02**
- (52) **U.S. Cl.**
USPC **D7/691**; D10/46.2; D10/46.3
- (58) **Field of Classification Search**
USPC D7/691, 692, 653; 30/324; 446/267;
D10/46.2, 46.3
CPC A47J 43/28; A47J 43/282; A47J 43/288;
A47G 21/04; G01F 19/002
See application file for complete search history.

5,706,974 A 1/1998 Murdick et al.
D394,611 S 5/1998 La Gro
D396,011 S 7/1998 Henriksson

(Continued)

FOREIGN PATENT DOCUMENTS

CN 301359950 10/2010
EP 1503648 8/2007

(Continued)

Primary Examiner — Rosemary K Tarcza

Assistant Examiner — James Thorn, Sr.

(74) *Attorney, Agent, or Firm* — Patterson Intellectual
Property Law, P.C.; James R. Cartiglia; Timothy L. Capria

(57) **CLAIM**

The ornamental design for a scoop, as shown and described.

DESCRIPTION

FIG. 1 is a top perspective view of an embodiment of the
scoop;

FIG. 2 is a top plan view of the scoop of FIG. 1.

FIG. 3 is a bottom plan view of the scoop of FIG. 1.

FIG. 4 is a left side view of the scoop of FIG. 1. The right side
view, not shown, is the mirror image of FIG. 4.

FIG. 5 is a front elevation view of the scoop of FIG. 1.

FIG. 6 is a rear elevation view of the scoop of FIG. 1.

FIG. 7 is a top perspective view of the second embodiment of
the scoop.

FIG. 8 is a top view plan view of the scoop of FIG. 7.

FIG. 9 is a bottom plan view of the scoop of FIG. 7.

FIG. 10 is left side view of the scoop of FIG. 7. The right side
view, not shown, is the mirror image of FIG. 10.

FIG. 11 is a front elevation view of the scoop of FIG. 7; and,

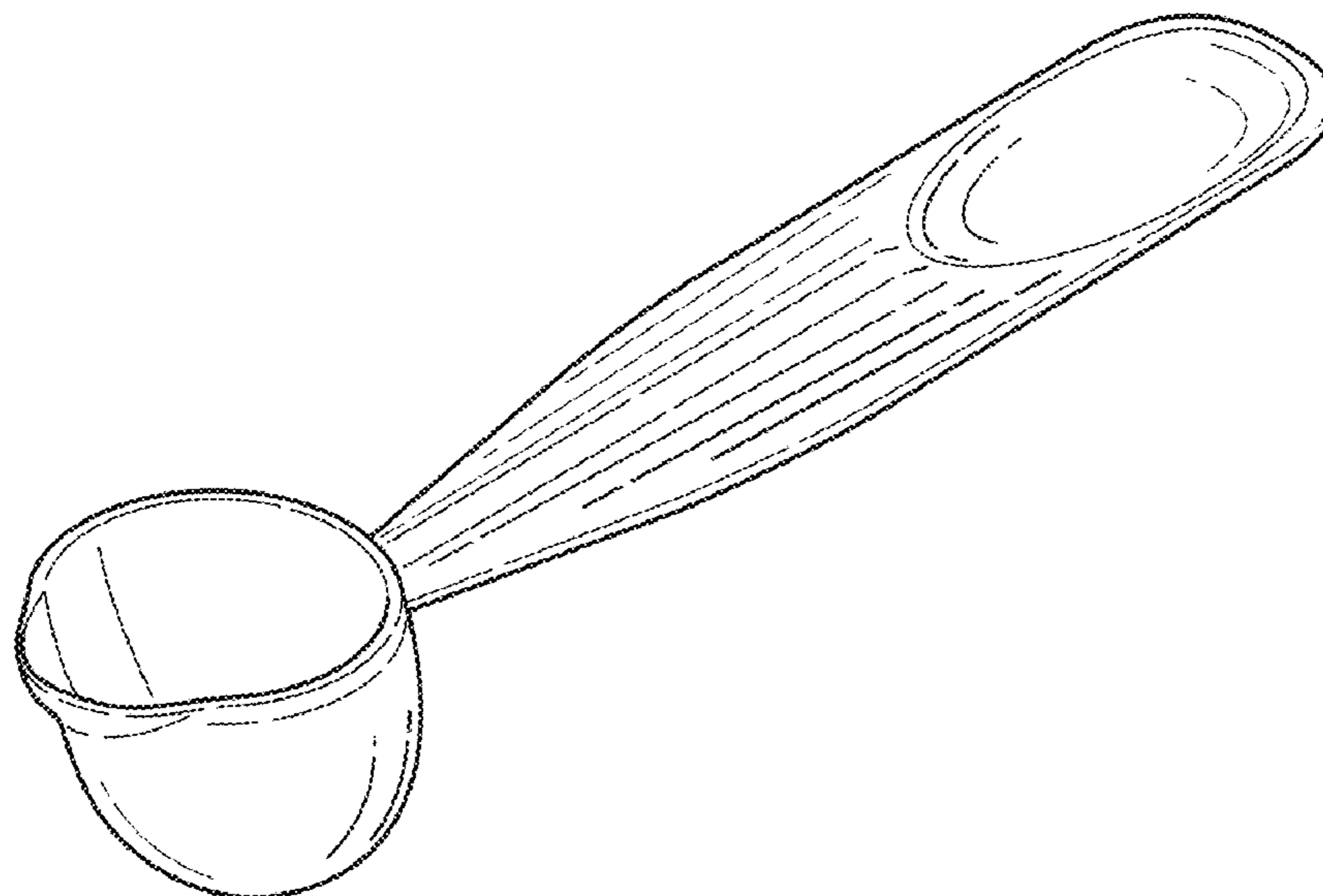
FIG. 12 is a rear elevation view of the scoop of FIG. 7.

1 Claim, 2 Drawing Sheets

(56) **References Cited**

U.S. PATENT DOCUMENTS

- D141,686 S 6/1945 Hagle
- 3,013,436 A 12/1961 Dailey
- D274,777 S * 7/1984 Wolff D7/681
- D294,101 S * 2/1988 Steinko D7/681
- D304,537 S * 11/1989 McCarroll D10/46.2
- D321,304 S * 11/1991 Underwood D10/46.2
- D330,863 S 11/1992 Green et al.
- D330,997 S * 11/1992 Spahni, Jr. D7/691



(56)

References Cited

U.S. PATENT DOCUMENTS

D473,140 S 4/2003 Gilliam et al.
 D501,374 S * 2/2005 Crowley D7/681
 D503,317 S * 3/2005 Anderson D10/46.2
 D504,318 S 4/2005 Lane et al.
 D505,303 S * 5/2005 Crowley D7/681
 D506,111 S * 6/2005 Handley D8/10
 7,175,041 B2 2/2007 Ekkert
 D543,800 S 6/2007 Kwan
 D567,600 S * 4/2008 Matsumura D10/46.2
 D582,297 S * 12/2008 Vendl D10/46.3
 D582,298 S * 12/2008 Vendl D10/46.3
 D582,798 S * 12/2008 Mantilla D10/46.3
 D584,968 S * 1/2009 Mantilla D10/46.3
 D588,947 S 3/2009 Curtin
 D593,384 S * 6/2009 Deziel D8/10
 7,562,786 B2 7/2009 Morrison
 D610,413 S 2/2010 Kahan et al.
 D621,729 S * 8/2010 Blust D10/46.3
 D632,531 S * 2/2011 Kehoe D7/691
 7,971,747 B2 7/2011 Blomdahl et al.
 D646,592 S 10/2011 Hood et al.
 D648,189 S * 11/2011 Busch D7/691
 D648,603 S * 11/2011 Bhasin D7/691
 D660,729 S * 5/2012 Lee D10/46.2
 D671,805 S * 12/2012 O'Connell D7/691
 D673,465 S * 1/2013 Dietz D10/46.3
 D678,006 S * 3/2013 Suess D10/46.2
 D678,007 S * 3/2013 Suess D10/46.2

D686,037 S * 7/2013 Holding D10/46.3
 D692,324 S * 10/2013 Wong D10/46.3
 8,590,732 B2 11/2013 Vandamme et al.
 8,806,935 B2 * 8/2014 Hood G01F 19/002
 73/426
 D718,006 S * 11/2014 Sikora D30/162
 D722,843 S * 2/2015 Lullie D7/691
 D730,752 S * 6/2015 Clark D10/46.3
 D734,104 S * 7/2015 Lee D7/667
 D736,043 S * 8/2015 Lee D7/691
 D737,696 S * 9/2015 Bagley D10/46.3
 D742,765 S * 11/2015 Hauser D10/46.3
 2012/0205375 A1 8/2012 Hudson et al.
 2012/0205376 A1 8/2012 Yang et al.
 2012/0279964 A1 11/2012 McGeough
 2013/0081364 A1 4/2013 Piscopo
 2014/0001179 A1 * 1/2014 Prero B65D 77/245
 220/23.87
 2014/0299598 A1 10/2014 Irani et al.
 2015/0338259 A1 * 11/2015 Robbins G01F 19/00
 73/426

FOREIGN PATENT DOCUMENTS

EP 1963062 9/2008
 EP 0010474350001 11/2008
 EP EM001671108 2/2010
 EP EM002067850 9/2012
 TW D157062 11/2013

* cited by examiner

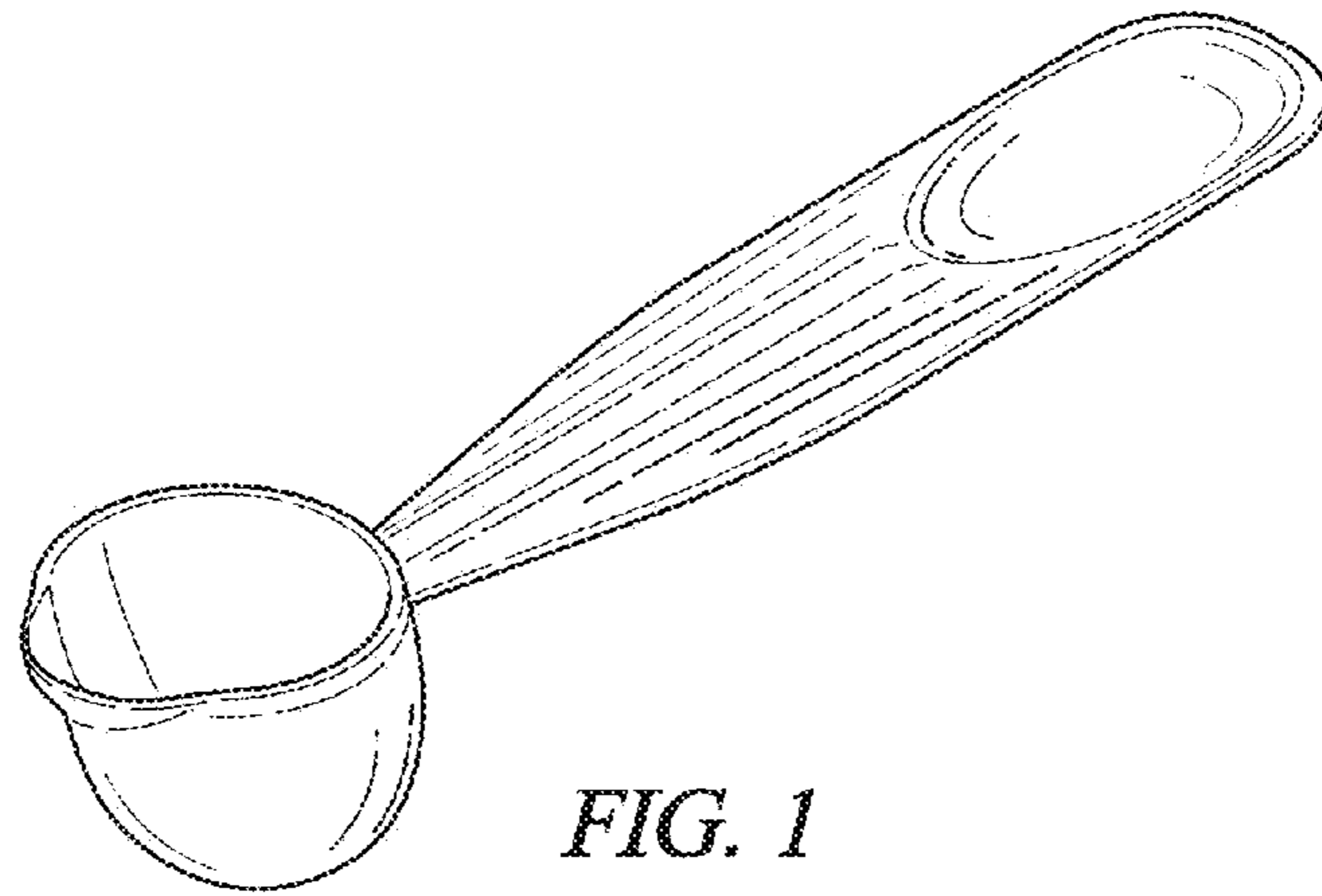


FIG. 1



FIG. 2

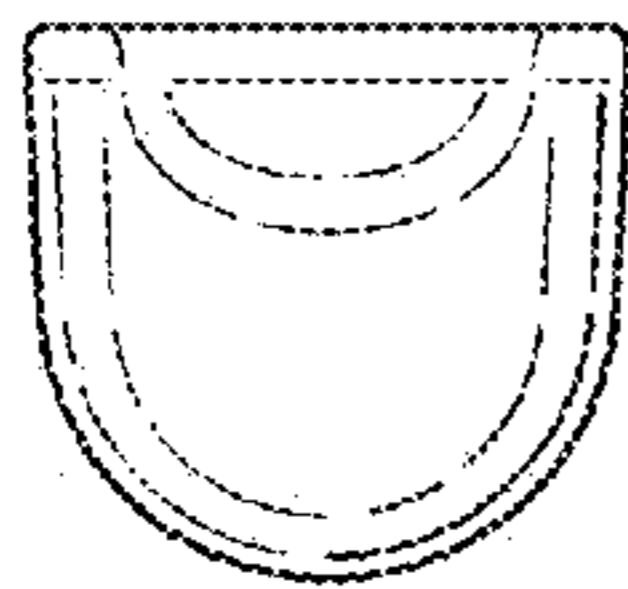


FIG. 5

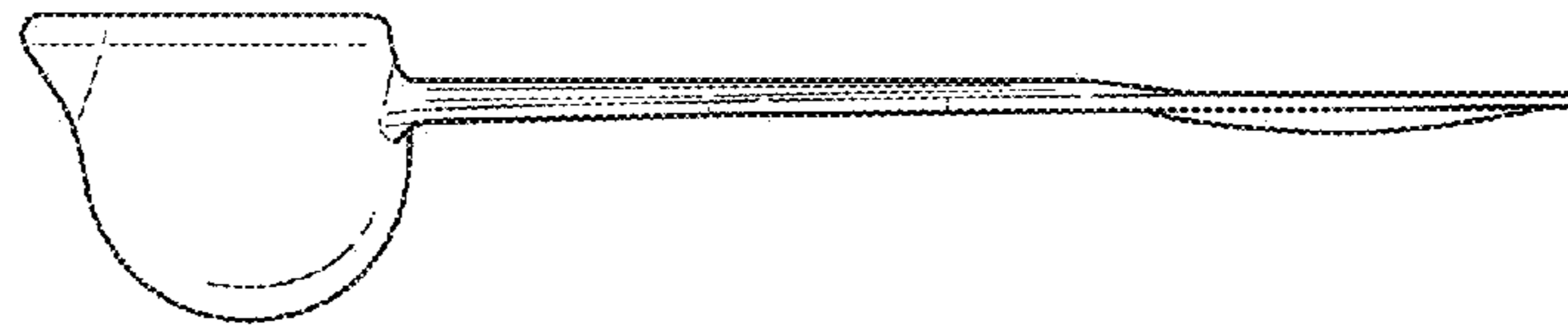


FIG. 4

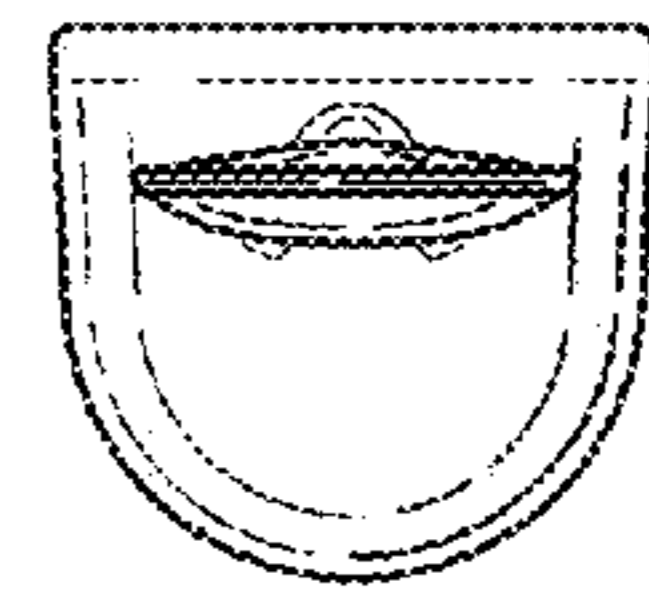


FIG. 6

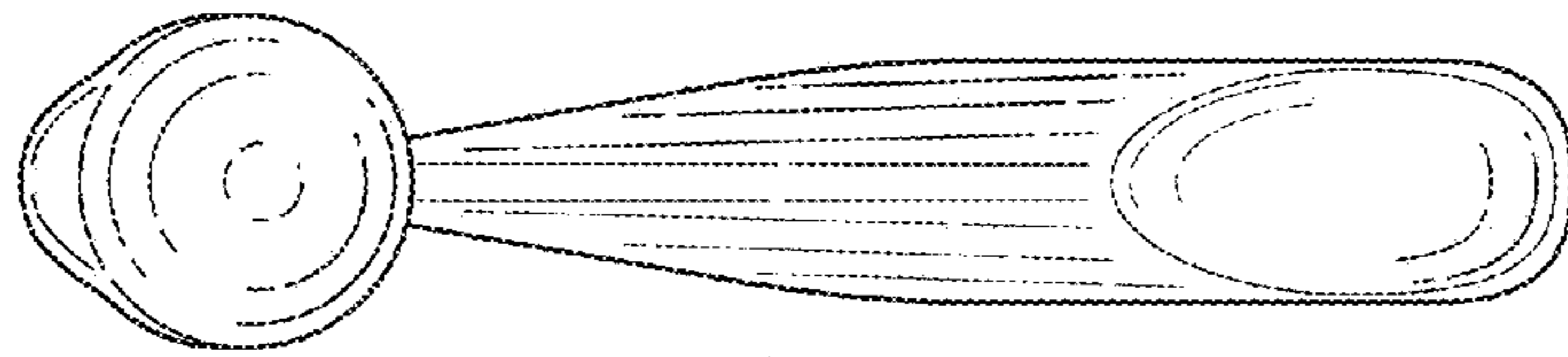


FIG. 3

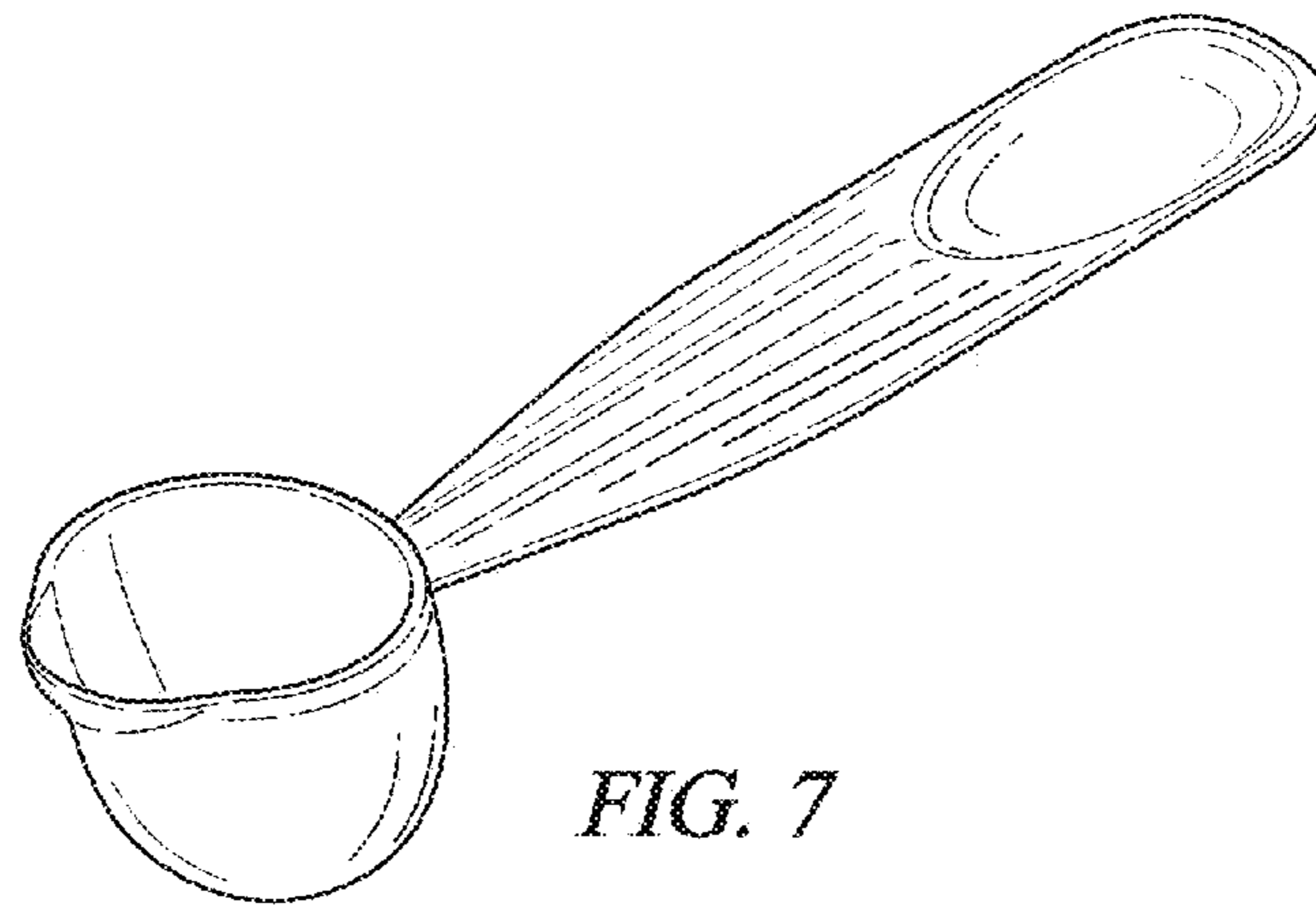


FIG. 7



FIG. 8

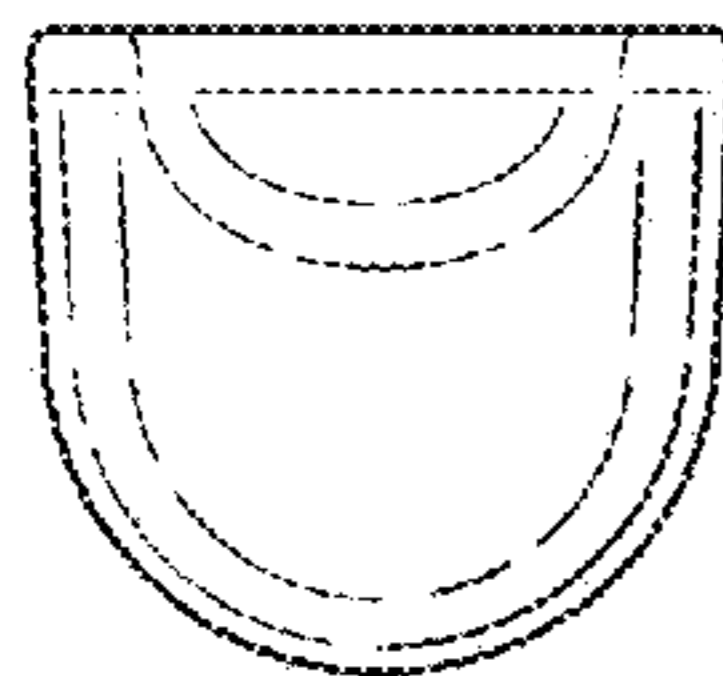


FIG. 11

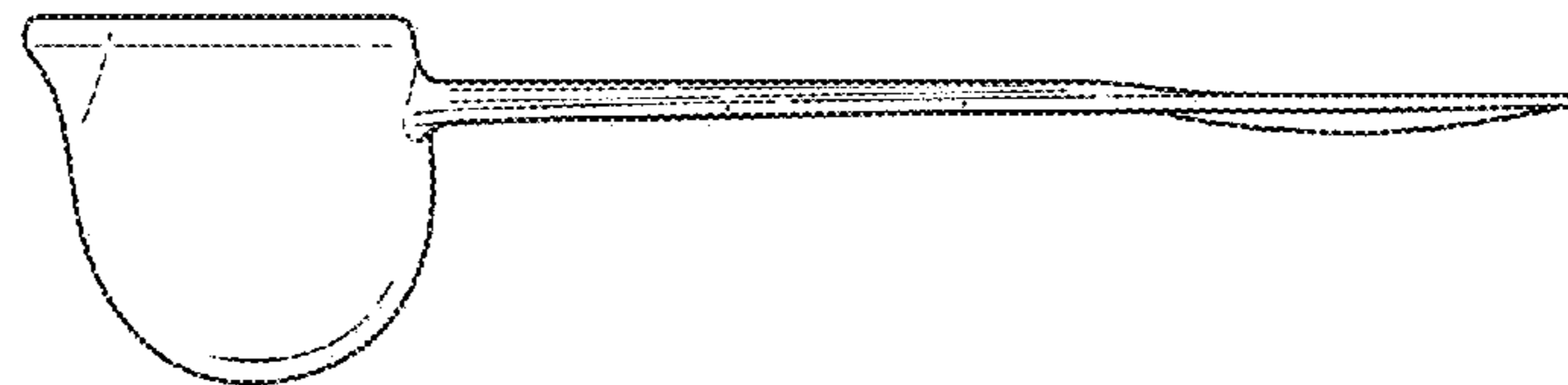


FIG. 10

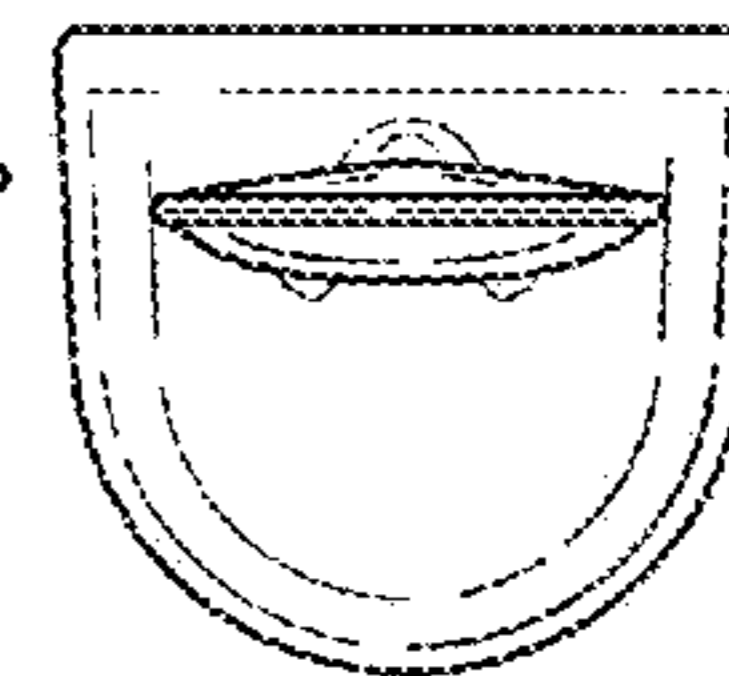


FIG. 12

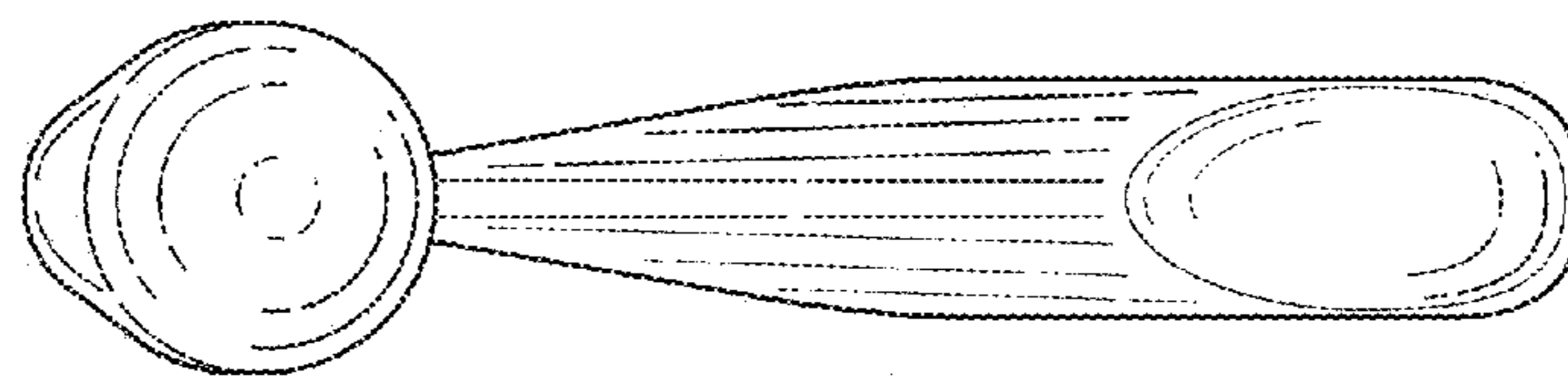


FIG. 9