

US00D760554S

(12) **United States Design Patent**
Finizio

(10) **Patent No.:** **US D760,554 S**
(45) **Date of Patent:** **** Jul. 5, 2016**

- (54) **RAVIOLI ROLLING PIN**
- (71) Applicant: **Michael Finizio**, Scarsdale, NY (US)
- (72) Inventor: **Michael Finizio**, Scarsdale, NY (US)
- (**) Term: **14 Years**
- (21) Appl. No.: **29/503,560**
- (22) Filed: **Sep. 26, 2014**
- (51) **LOC (10) Cl.** **07-04**
- (52) **U.S. Cl.**
USPC **D7/672**
- (58) **Field of Classification Search**
USPC D7/672, 669, 697, 677; 425/298, 303
CPC A21C 3/021; A21C 3/00; A21C 11/12;
A21C 1/00
See application file for complete search history.

5,720,991 A *	2/1998	Gildersleeve	A21C 11/106 30/301
D396,388 S *	7/1998	Mishan	D7/672
D552,434 S *	10/2007	Laib	D7/677
D601,392 S *	10/2009	Bourgeois	D7/694
D685,977 S *	7/2013	Rana	D1/126
D688,104 S *	8/2013	Muspratt-Williams	D7/672
D693,086 S *	11/2013	Rana	D1/126
D693,087 S *	11/2013	Rana	D1/126
D732,267 S *	6/2015	Rana	D1/126
2013/0008034 A1 *	1/2013	Mizer	A21C 11/04 30/279.2

* cited by examiner

Primary Examiner — Rosemary K Tarcza
Assistant Examiner — James Thorn, Sr.

(57) **CLAIM**
The ornamental design for a ravioli rolling pin, as shown and described.

DESCRIPTION

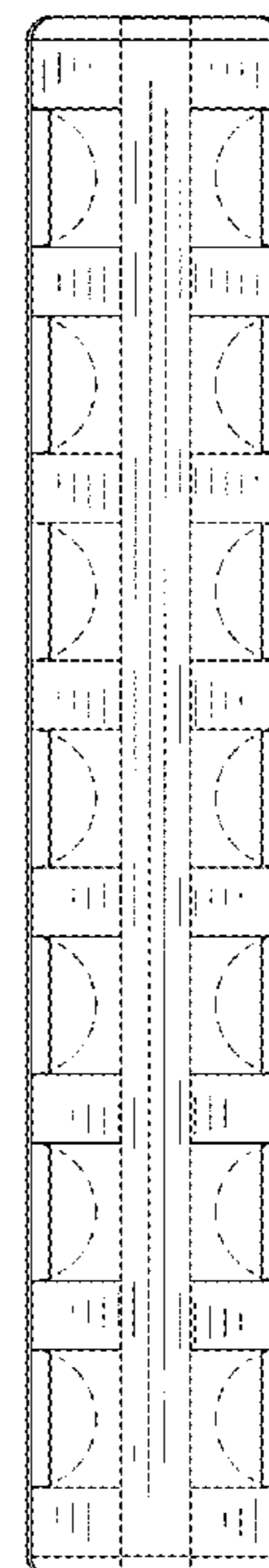
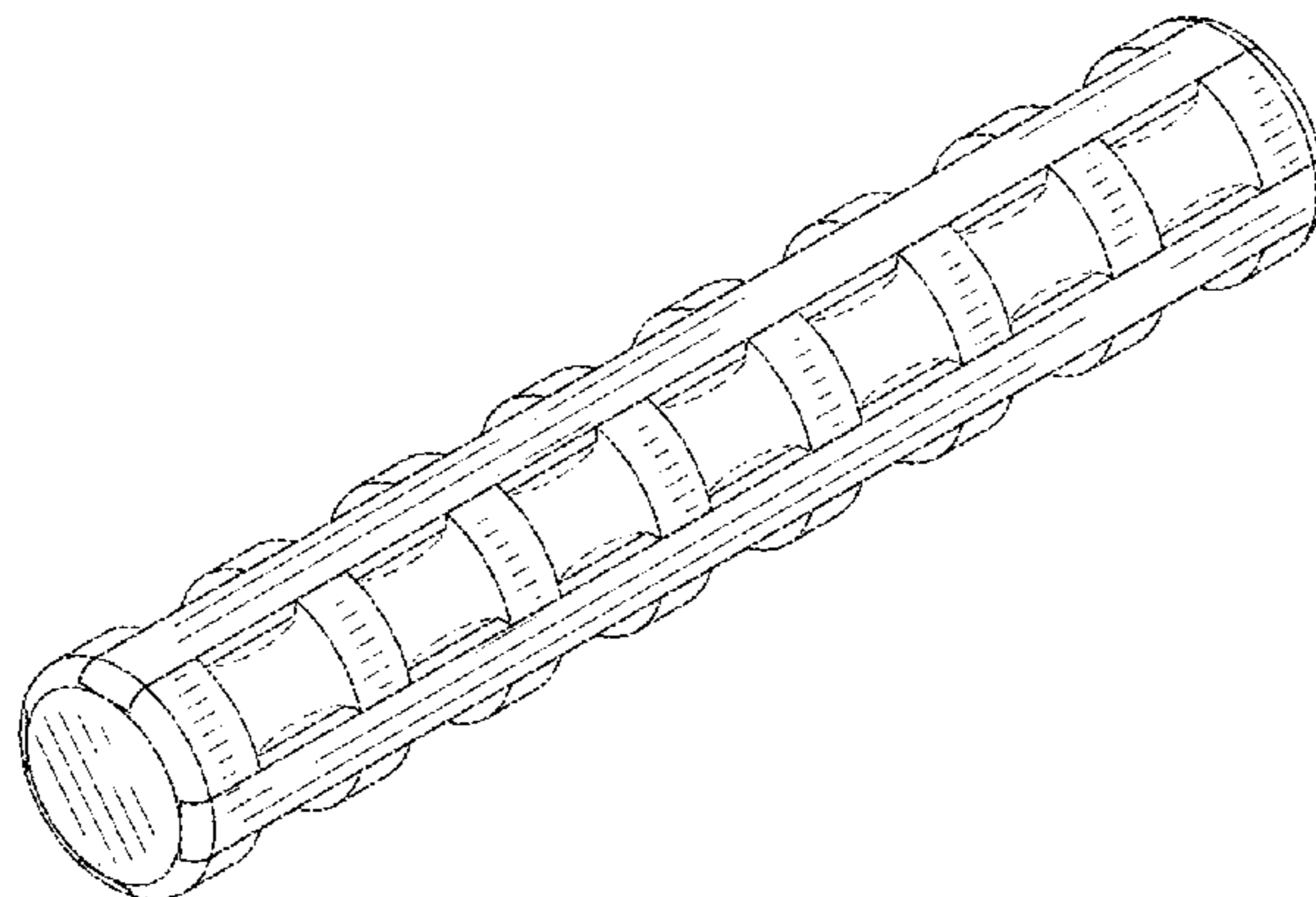
FIG. 1 is a perspective front view of a ravioli rolling pin; FIG. 2 is a front elevation view thereof; the rear elevation view being a mirror image thereof; FIG. 3 is a left side elevation view thereof; the right side elevation view being a mirror image thereof; and, FIG. 4 is a top elevation view thereof; the bottom elevation view being a mirror image thereof. The broken lines shown in the drawings illustrate portions of the ravioli rolling pin that form no part of the claimed design.

1 Claim, 2 Drawing Sheets

(56) **References Cited**

U.S. PATENT DOCUMENTS

D240,288 S *	6/1976	Wright	D7/672
3,994,652 A *	11/1976	Kuzyk	A21C 3/021 30/307
4,516,923 A *	5/1985	Lifshitz	A21C 11/00 249/12
D279,753 S *	7/1985	Ricke	D4/123
D282,431 S *	2/1986	Stricker	D7/672



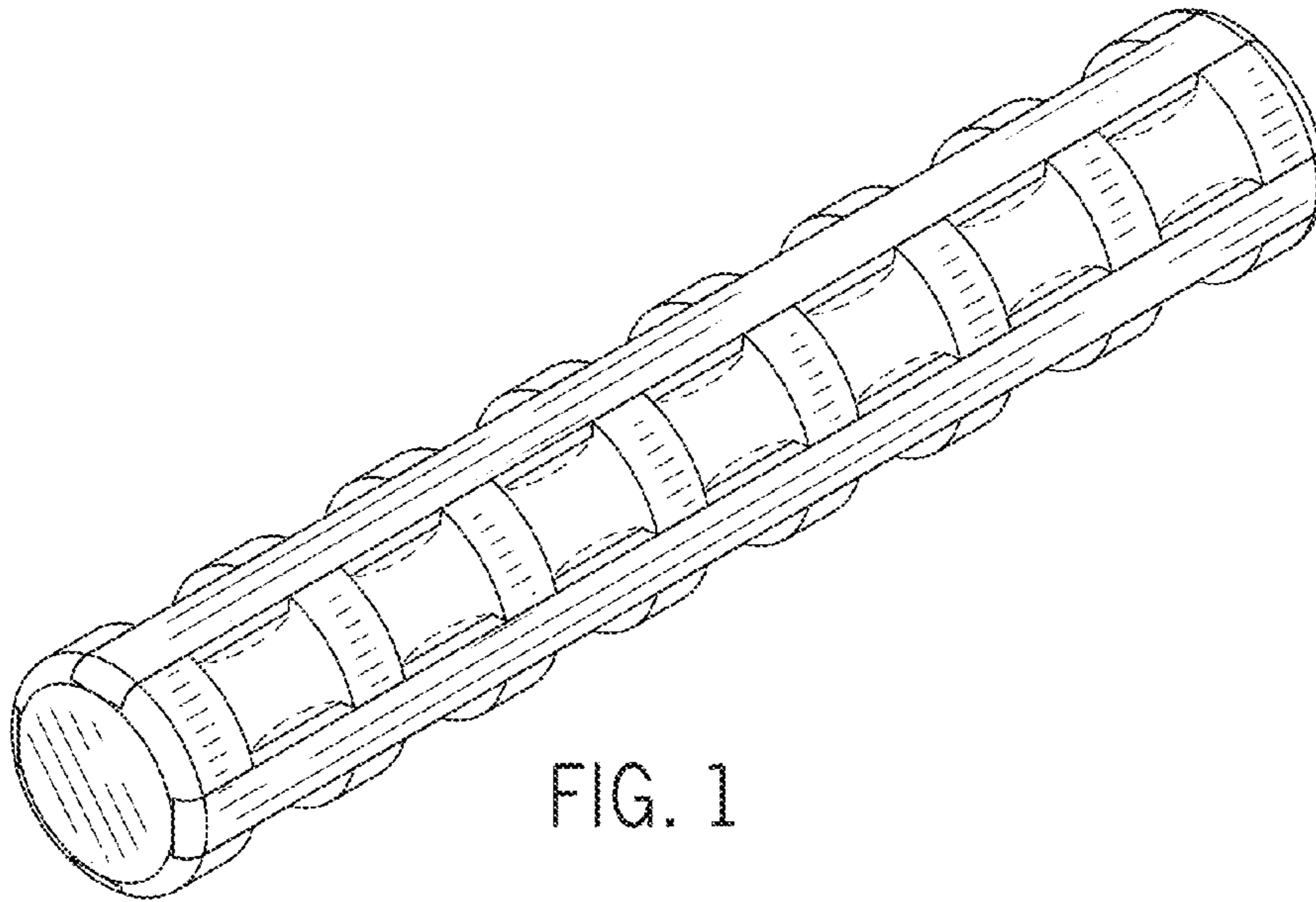


FIG. 1

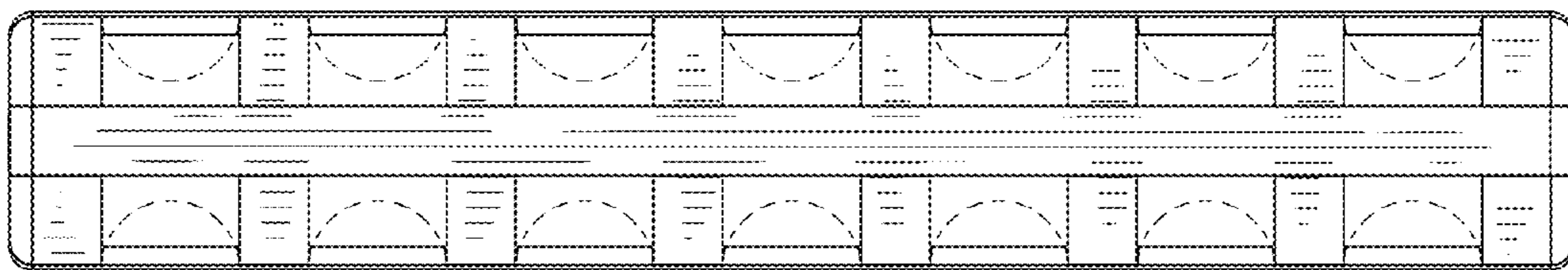


FIG. 2

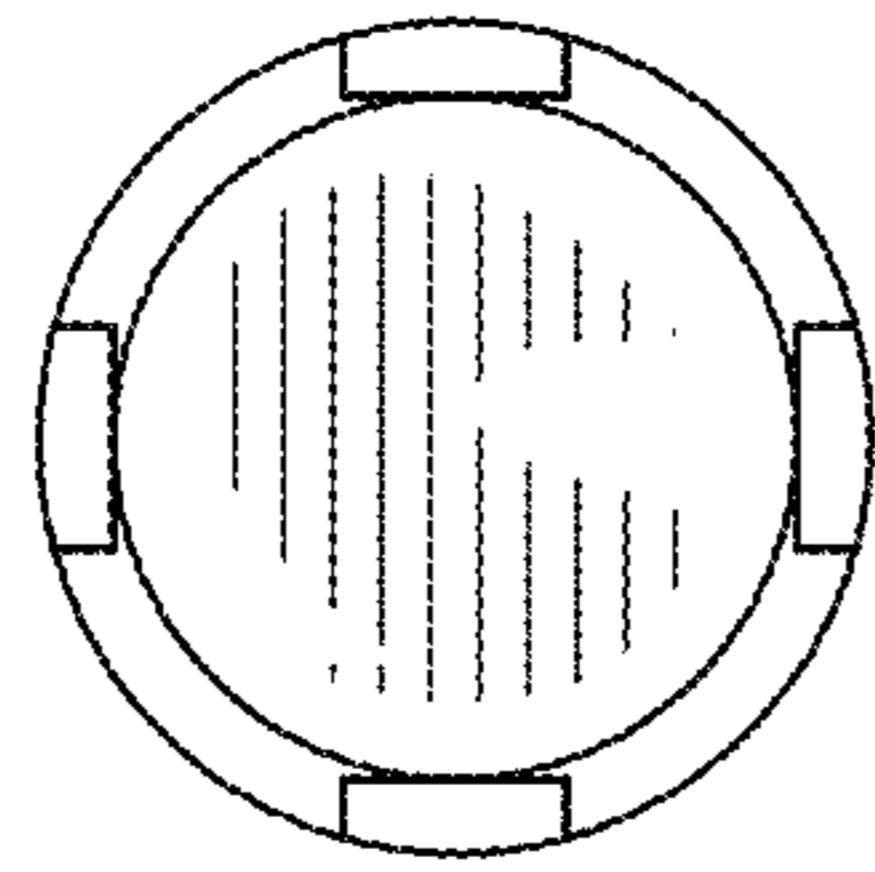


FIG. 3

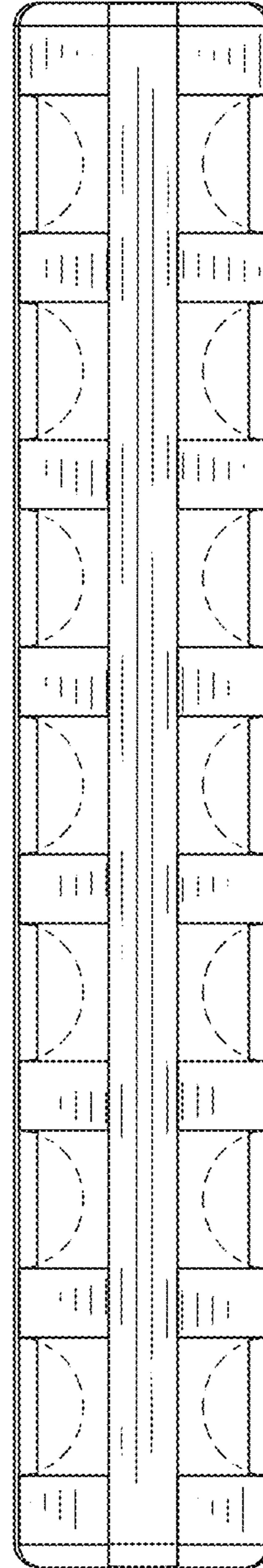


FIG. 4